



US00D758681S

(12) **United States Design Patent**  
**Park et al.**

(10) **Patent No.:** **US D758,681 S**  
(45) **Date of Patent:** **\*\* Jun. 7, 2016**

(54) **DOOR COVER FOR WASHING MACHINE**

(71) Applicant: **Samsung Electronics Co., Ltd.**,  
Suwon-si (KR)

(72) Inventors: **Jung-Eun Park**, Seoul (KR); **Kang-Doo Kim**, Seoul (KR); **Jin-Nam Kim**, Seoul (KR); **Dong-Won Chun**, Seoul (KR); **Sung-Kyung Lee**, Seoul (KR)

(73) Assignee: **SAMSUNG ELECTRONICS CO., LTD.** (KR)

(\*\*) Term: **14 Years**

(21) Appl. No.: **29/518,900**

(22) Filed: **Feb. 27, 2015**

(30) **Foreign Application Priority Data**

Sep. 1, 2014 (KR) ..... 30-2014-0042583

(51) **LOC (10) Cl.** ..... **15-05**

(52) **U.S. Cl.**  
USPC ..... **D32/25**

(58) **Field of Classification Search**  
USPC ..... D32/1-6, 8, 25, 28; 34/87-88,  
34/523-524; 68/3 R, 5 R, 12.01,  
68/12.07-12.08, 212  
CPC ..... D06F 39/14; D06F 37/28; D06F 33/02  
See application file for complete search history.

(56) **References Cited**

**U.S. PATENT DOCUMENTS**

D577,161 S *	9/2008	Jeon	.....	D32/6
D577,162 S *	9/2008	Shail	.....	D32/6
D617,512 S *	6/2010	DeSalvo	.....	D32/25
D628,755 S *	12/2010	Helot	.....	D32/5
D640,023 S *	6/2011	Bixby	.....	D32/25
D645,623 S *	9/2011	Helot	.....	D32/25
D665,543 S *	8/2012	Kim	.....	D32/6

8,234,797 B2 *	8/2012	Jergens	.....	D06F 58/04 34/499
D692,194 S *	10/2013	Meda	.....	D32/6
D693,973 S *	11/2013	Geyer	.....	D32/6
D694,966 S *	12/2013	Berjesson	.....	D32/6
D700,409 S *	2/2014	Takahashi	.....	D32/25
D700,410 S *	2/2014	Hwang	.....	D32/25
D703,891 S *	4/2014	Chung	.....	D32/25
D705,505 S *	5/2014	Ha	.....	D32/25
8,782,923 B2 *	7/2014	Jergens	.....	D06F 58/04 34/499
D714,502 S *	9/2014	Jeon	.....	D32/25
D730,601 S *	5/2015	Jinnam	.....	D32/25
D730,602 S *	5/2015	Choi	.....	D32/25
D731,131 S *	6/2015	Ha	.....	D32/25
D732,767 S *	6/2015	Ha	.....	D32/25
D732,768 S *	6/2015	Choi	.....	D32/25

\* cited by examiner

*Primary Examiner* — Rosemary K Tarcza

*Assistant Examiner* — Yolanda Robinson

(74) *Attorney, Agent, or Firm* — Cantor Colburn LLP

(57) **CLAIM**

The ornamental design for a door cover for washing machine, as shown and described.

**DESCRIPTION**

FIG. 1 is a perspective view of a door cover for washing machine, showing our new design;  
 FIG. 2 is a front view thereof;  
 FIG. 3 is a rear view thereof;  
 FIG. 4 is a side view thereof;  
 FIG. 5 is a another side view thereof;  
 FIG. 6 is a top view thereof;  
 FIG. 7 is a bottom view thereof;  
 FIG. 8 is a cross-sectional view thereof, taken along the line 8-8 in FIG. 2;  
 FIG. 9 is an enlarged view of the portion 9 shown in FIG. 8;  
 FIG. 10 is an enlarged view of the portion 10 as shown in FIG. 8; and,  
 FIG. 11 is a perspective view thereof, as shown in an environment of use.  
 The broken lines are for environmental purpose only and form no part of the claimed design.  
 The dot-dash broken lines encircling enlargement portions of the design forms no part of the claimed design.

**1 Claim, 9 Drawing Sheets**

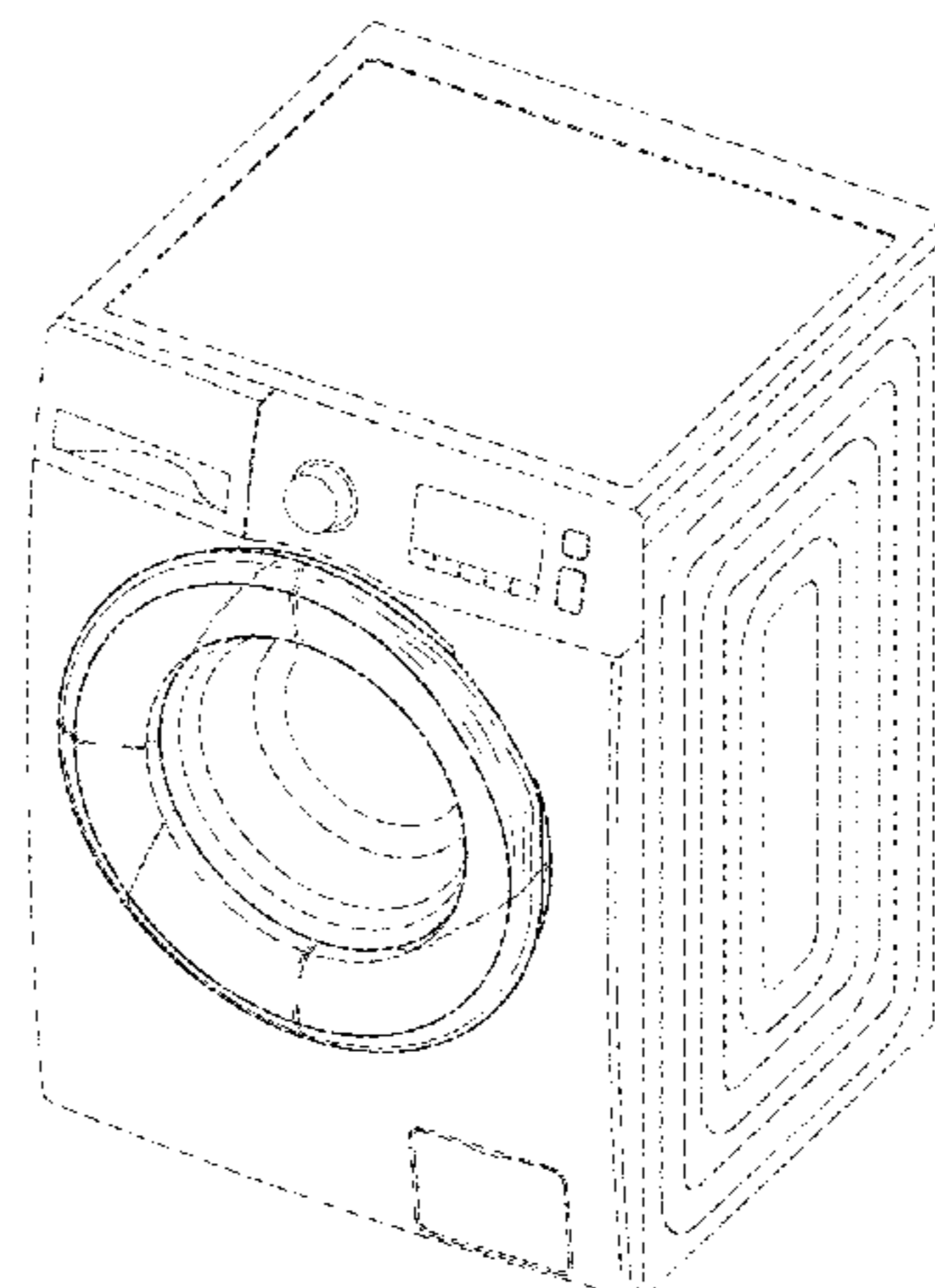
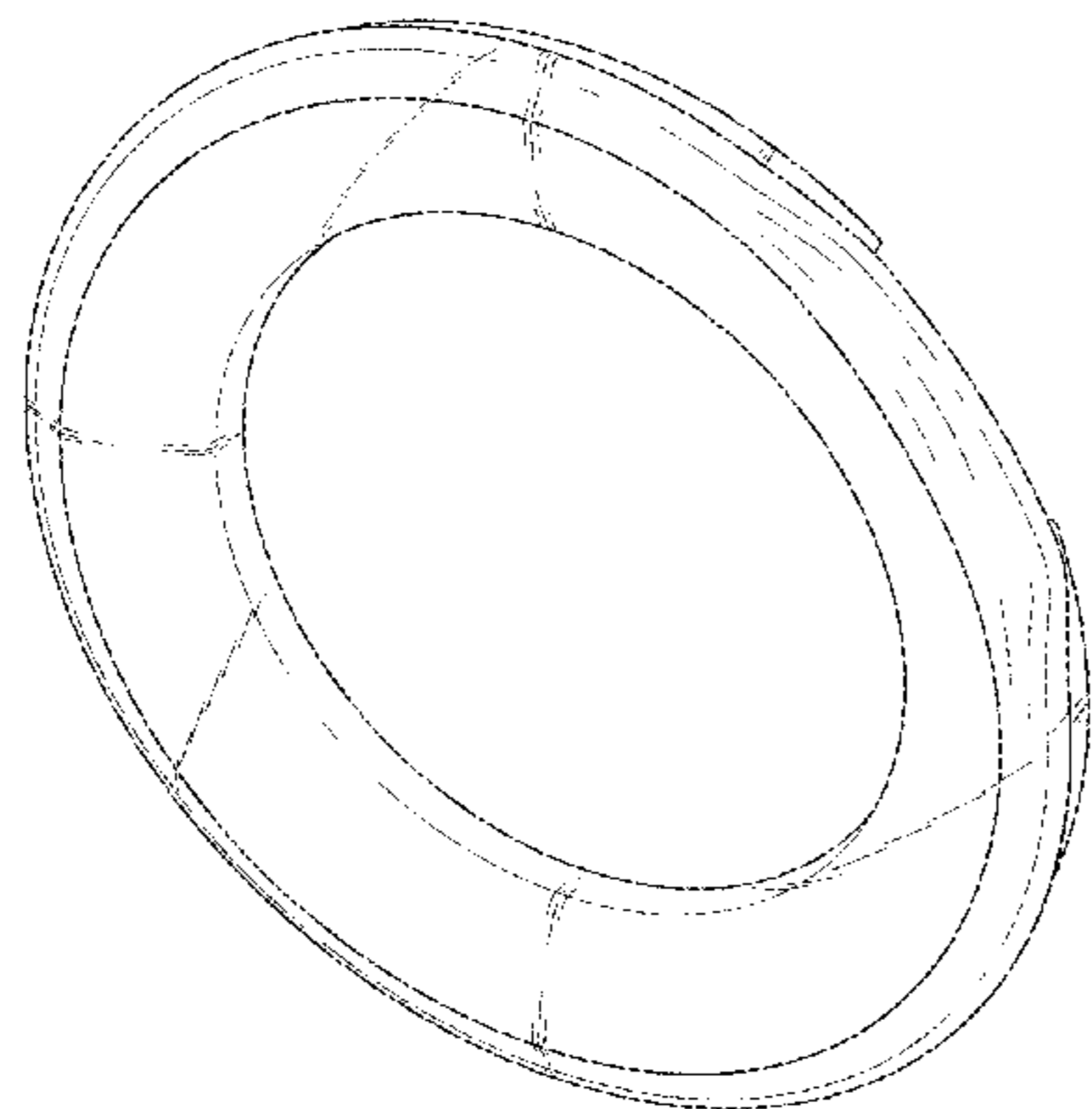


FIG. 1

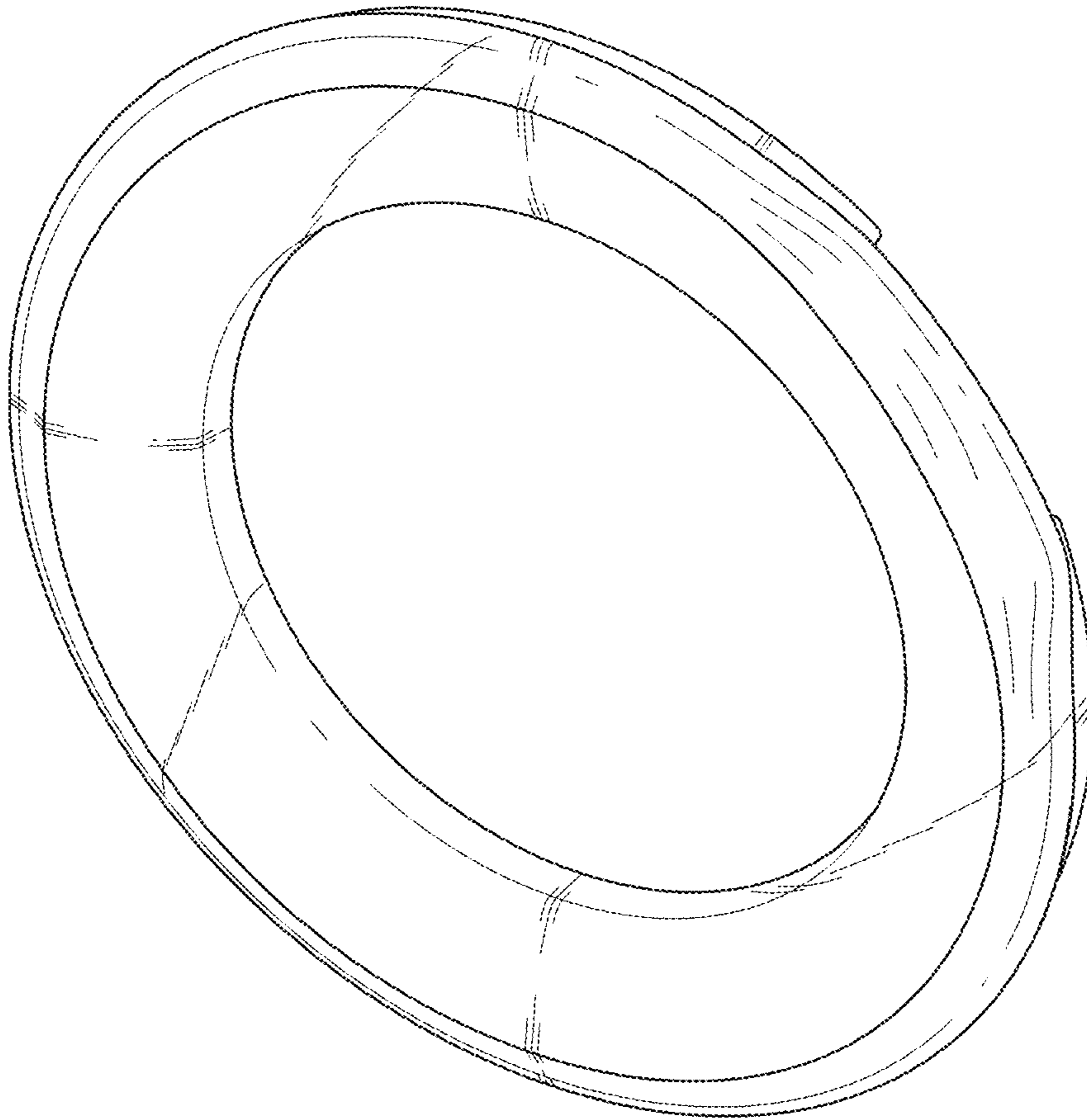


FIG. 2

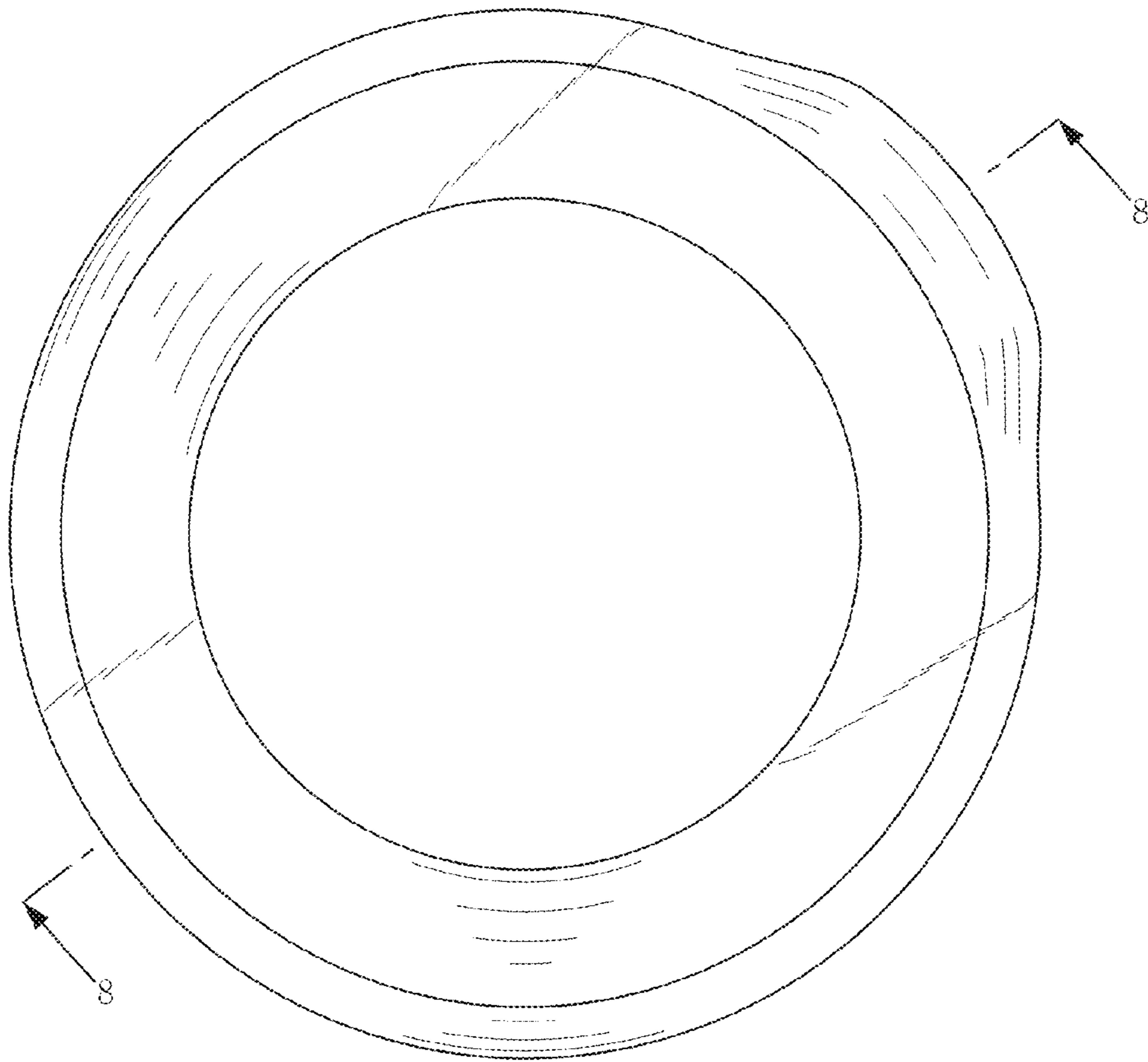


FIG. 3

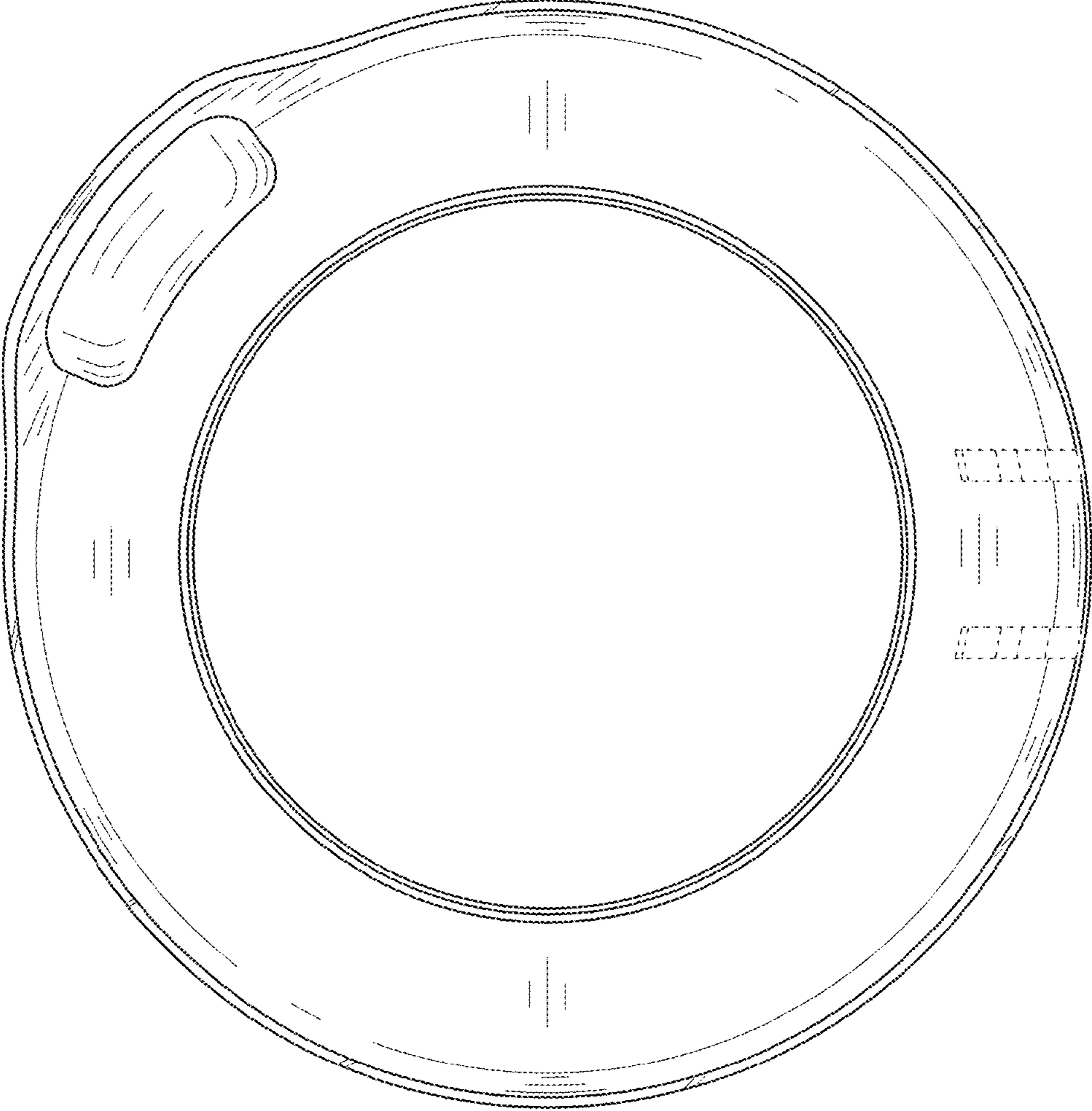


FIG. 4

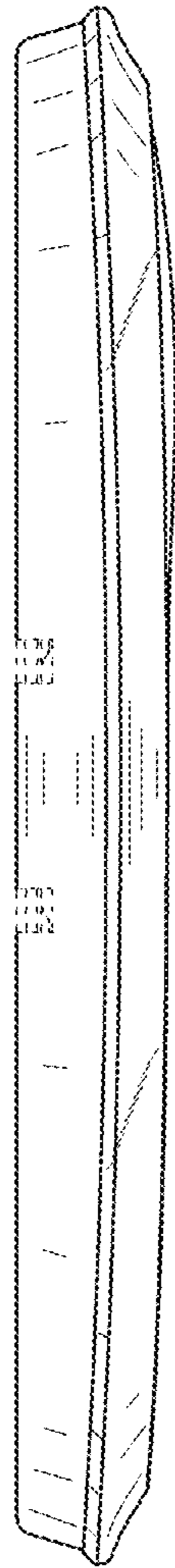


FIG. 5

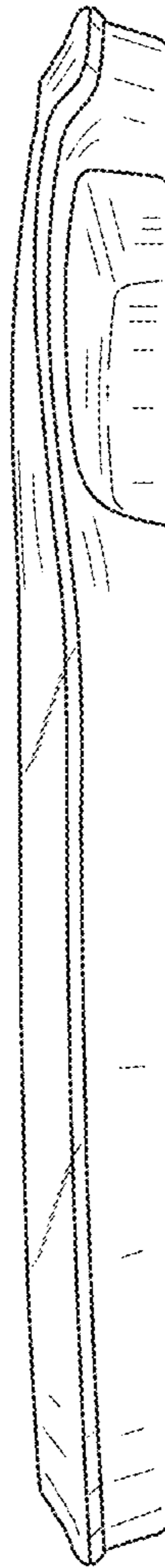


FIG. 6

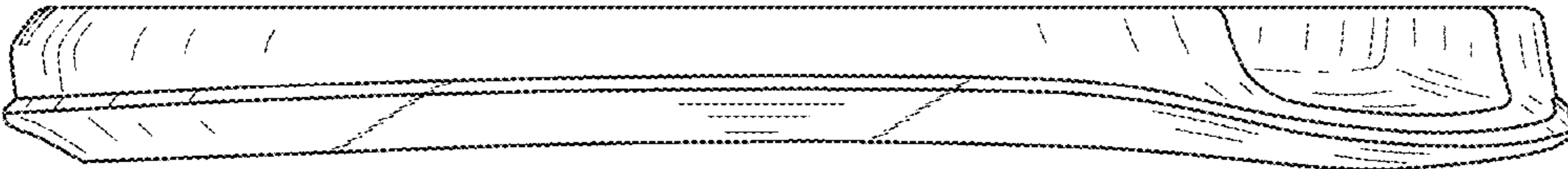


FIG. 7

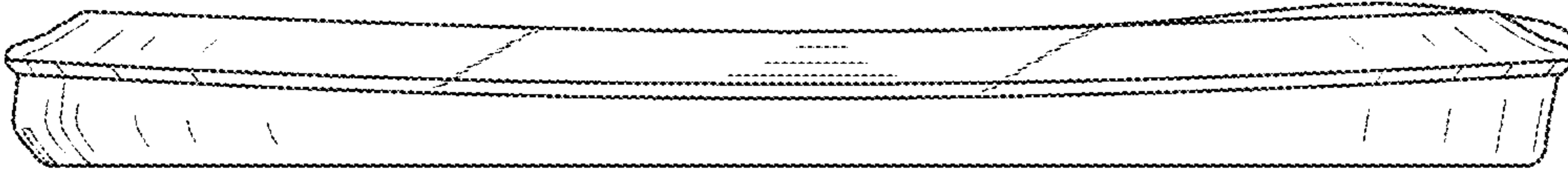


FIG. 8

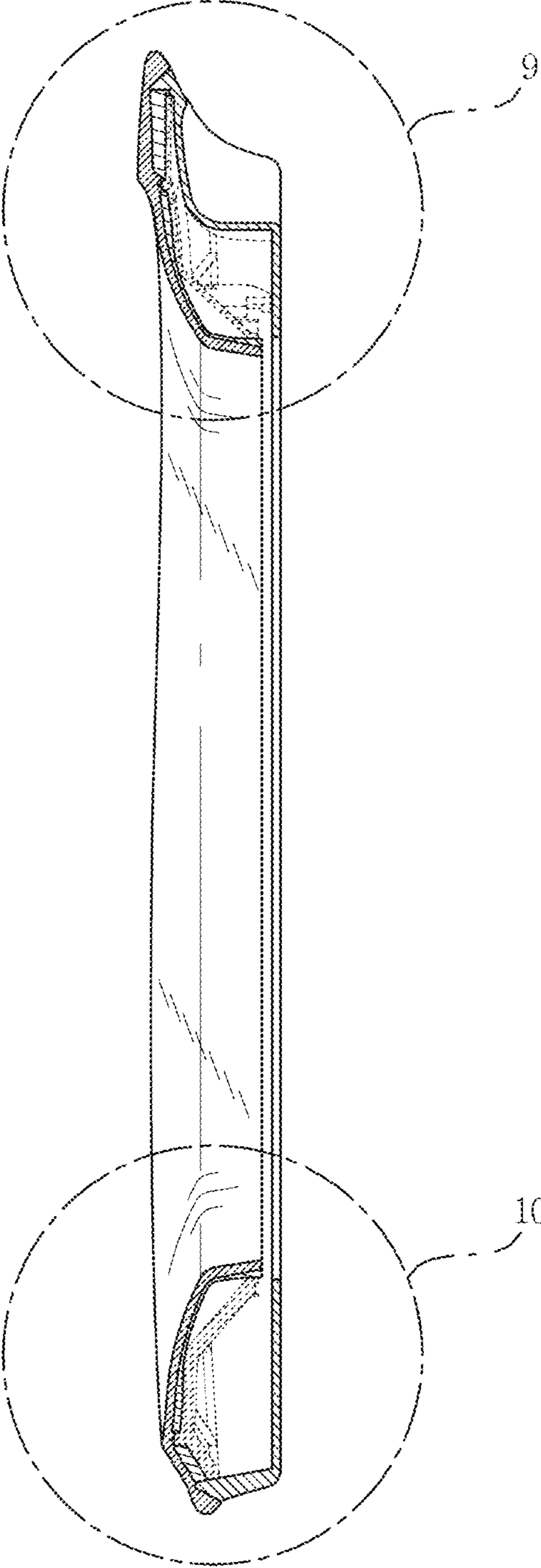


FIG. 9

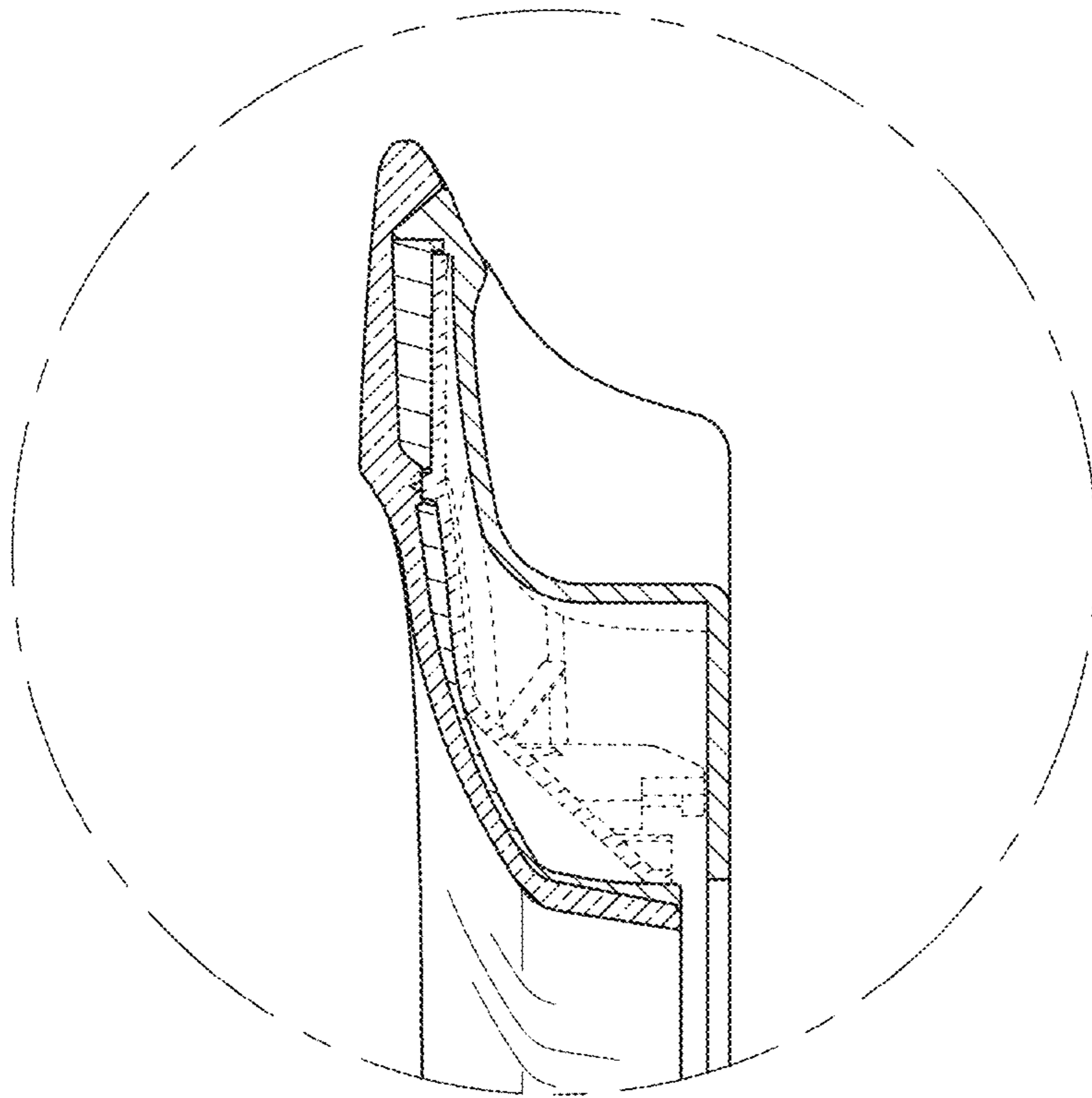




FIG. 10

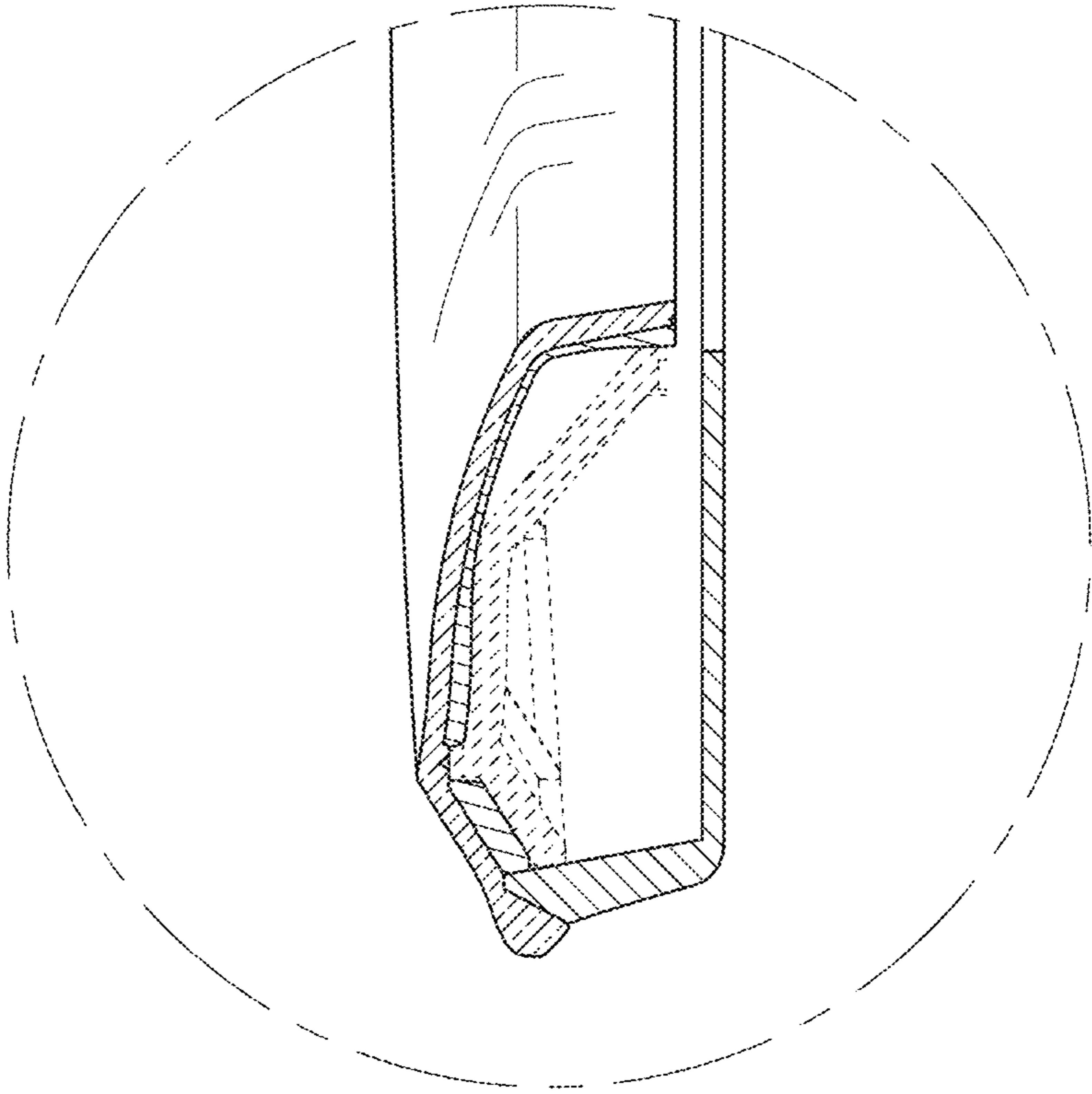


FIG. 11

