



US00D758680S

(12) **United States Design Patent**
Hoffman et al.

(10) **Patent No.:** **US D758,680 S**
(45) **Date of Patent:** **** Jun. 7, 2016**

- (54) **SWIMSUIT WATER EXTRACTOR**
- (71) Applicant: **Extractor Corporation**, South Elgin, IL (US)
- (72) Inventors: **Lindsay A. Hoffman**, Sycamore, IL (US); **Hugh J. Hoffman**, South Elgin, IL (US); **Steven C. Slowik**, Wheeling, IL (US); **Michael J. Scola**, Roselle, IL (US)
- (73) Assignee: **Extractor Corporation**, South Elgin, IL (US)
- (**) Term: **14 Years**
- (21) Appl. No.: **29/510,349**
- (22) Filed: **Nov. 26, 2014**
- (51) **LOC (10) Cl.** **15-05**
- (52) **U.S. Cl.**
USPC **D32/8**
- (58) **Field of Classification Search**
USPC D32/1, 6, 8, 25, 15-16
CPC D06F 58/00; D06F 58/02; D06F 58/04; D06F 58/20
See application file for complete search history.

D514,757 S *	2/2006	Roberts	D32/8
D521,197 S *	5/2006	Kim	D32/8
D599,510 S *	9/2009	Monson	D32/8
D622,456 S *	8/2010	Kim	D32/8
D637,369 S *	5/2011	Mangano	D32/8
D638,592 S *	5/2011	Suh	D32/8
D643,165 S *	8/2011	Song	D32/8
D644,383 S *	8/2011	Mangano	D32/8
D663,495 S *	7/2012	Song	D32/8

* cited by examiner

Primary Examiner — Michael A Pratt
Assistant Examiner — Michelle E Wilson
(74) *Attorney, Agent, or Firm* — Erickson Law Group, PC

(57) **CLAIM**
The ornamental design for a swimsuit water extractor, as shown and described.

DESCRIPTION

FIG. 1 is a perspective view of a swimsuit water extractor of the invention.
FIG. 2 is a front view of the swimsuit water extractor of FIG. 1.
FIG. 3 is a top view of the swimsuit water extractor of FIG. 1.
FIG. 4 is a rear view of the swimsuit water extractor of FIG. 1.
FIG. 5 is a bottom view of the swimsuit water extractor of FIG. 1.
FIG. 6 is a right side view of the swimsuit water extractor of FIG. 1; and,
FIG. 7 is a left side view of the swimsuit water extractor of FIG. 1.
The broken lines in the FIGS. 1, 4 and 5 illustrate portions of the swimsuit water extractor which form no part of the claimed design.

1 Claim, 4 Drawing Sheets

- (56) **References Cited**
U.S. PATENT DOCUMENTS
D181,297 S * 10/1957 Krynski D32/8
D198,706 S * 7/1964 Jennings D32/8
D277,131 S * 1/1985 Shames D23/393
D299,569 S * 1/1989 Davis D32/8
4,918,290 A * 4/1990 DeMars F26B 9/003
219/386
D332,329 S * 1/1993 Hood D32/8
D465,307 S * 11/2002 Du D32/6

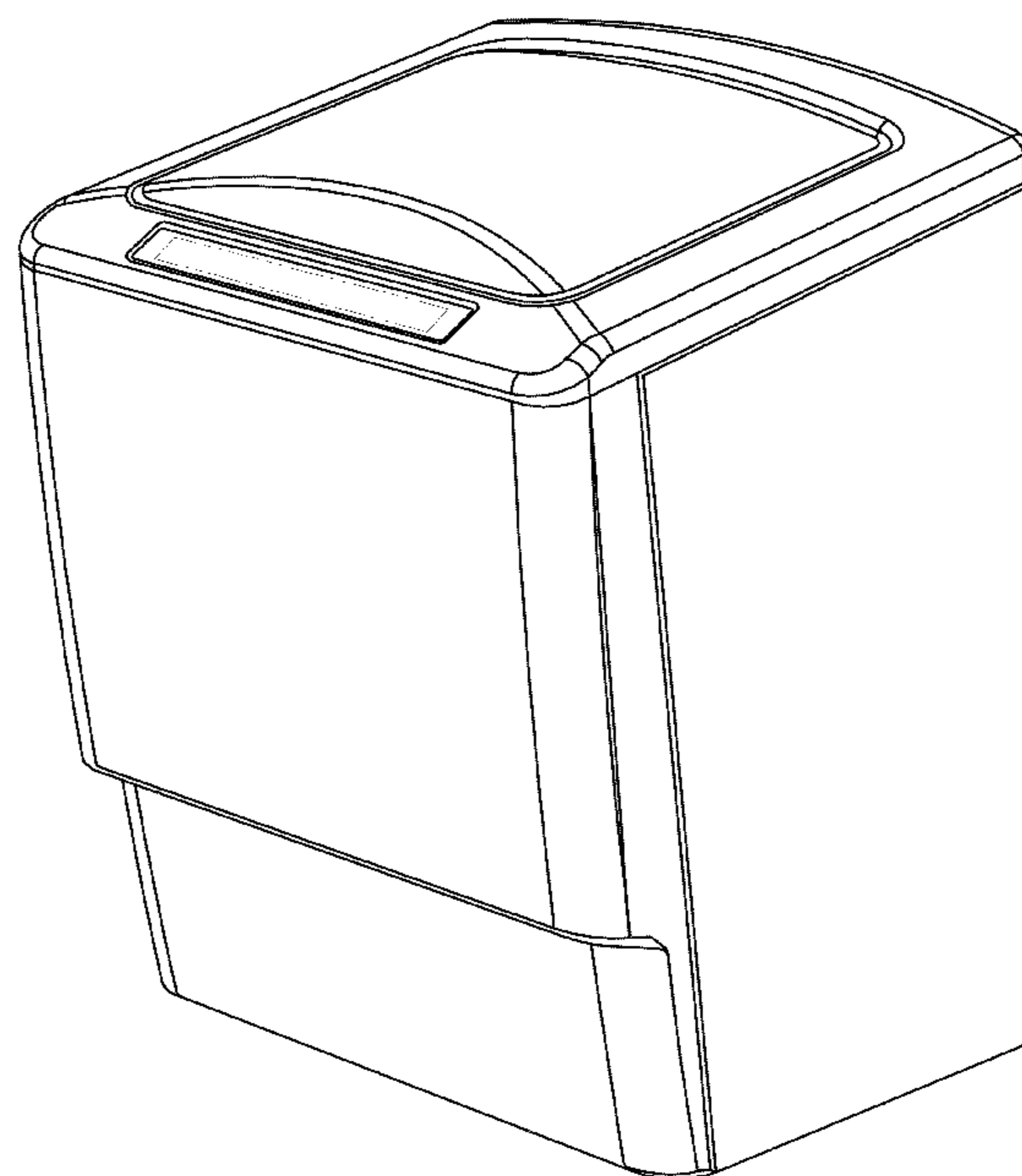
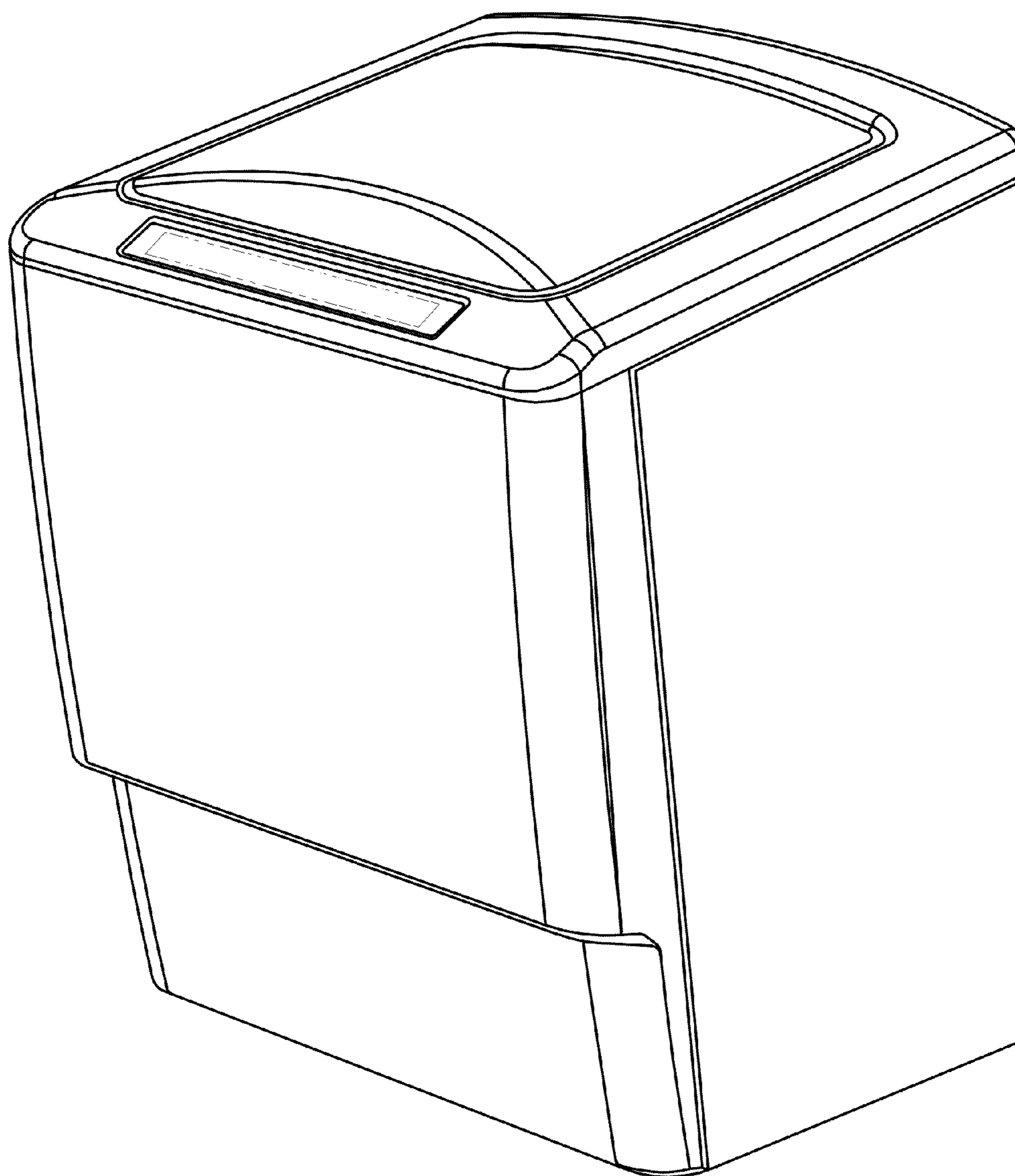


FIG. 1



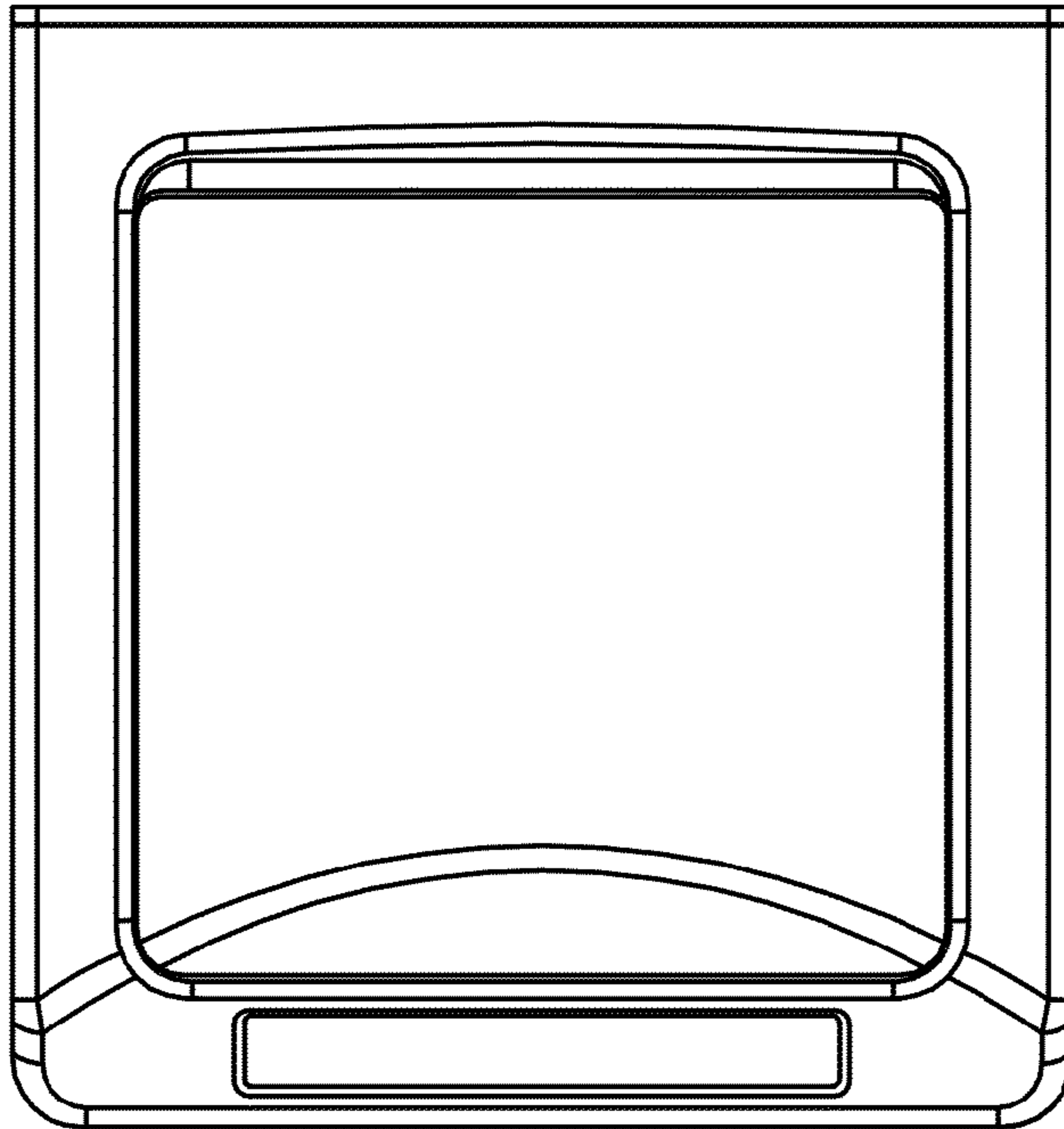


FIG. 3

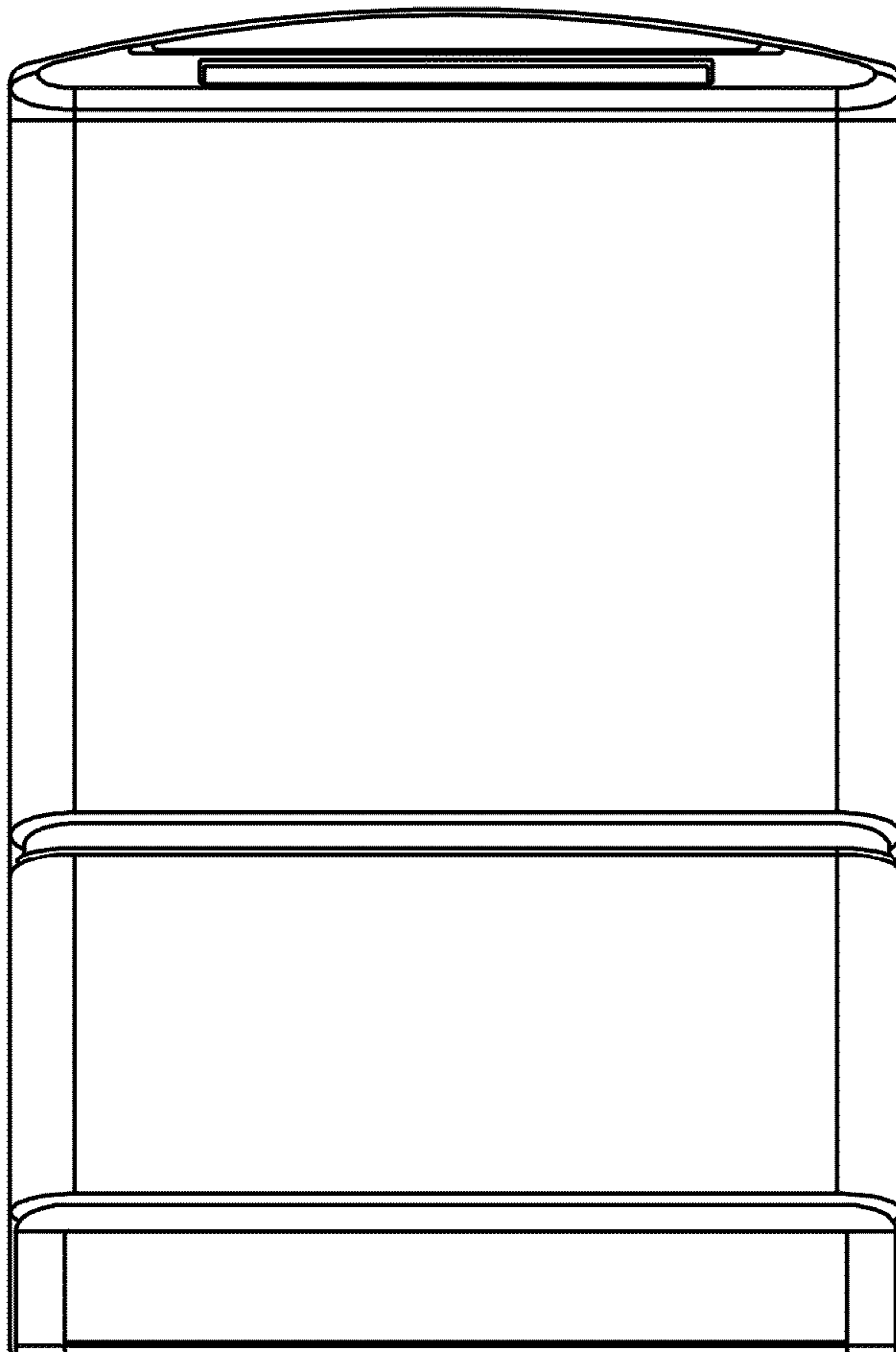


FIG. 2



FIG. 4

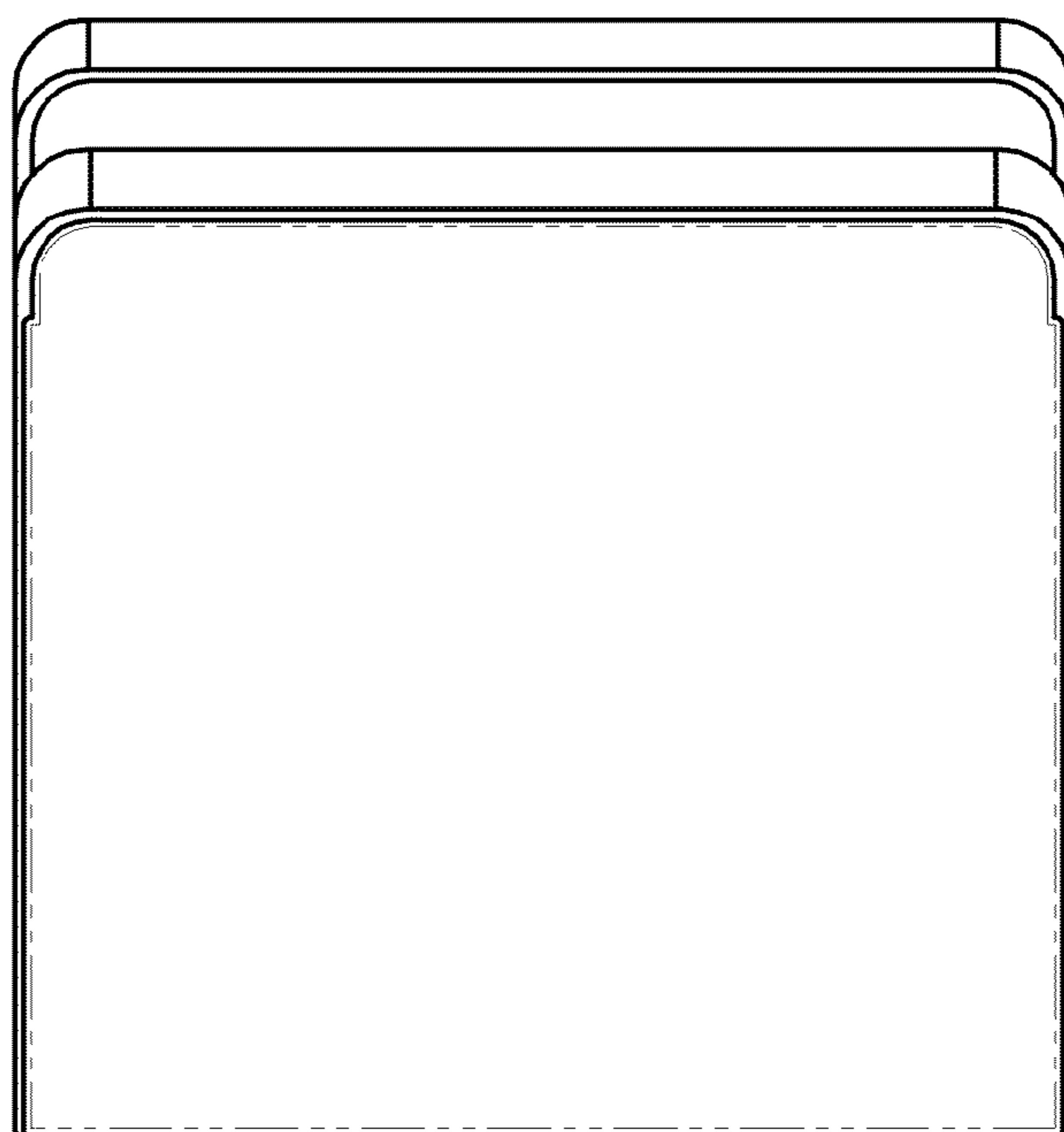


FIG. 5

FIG. 7

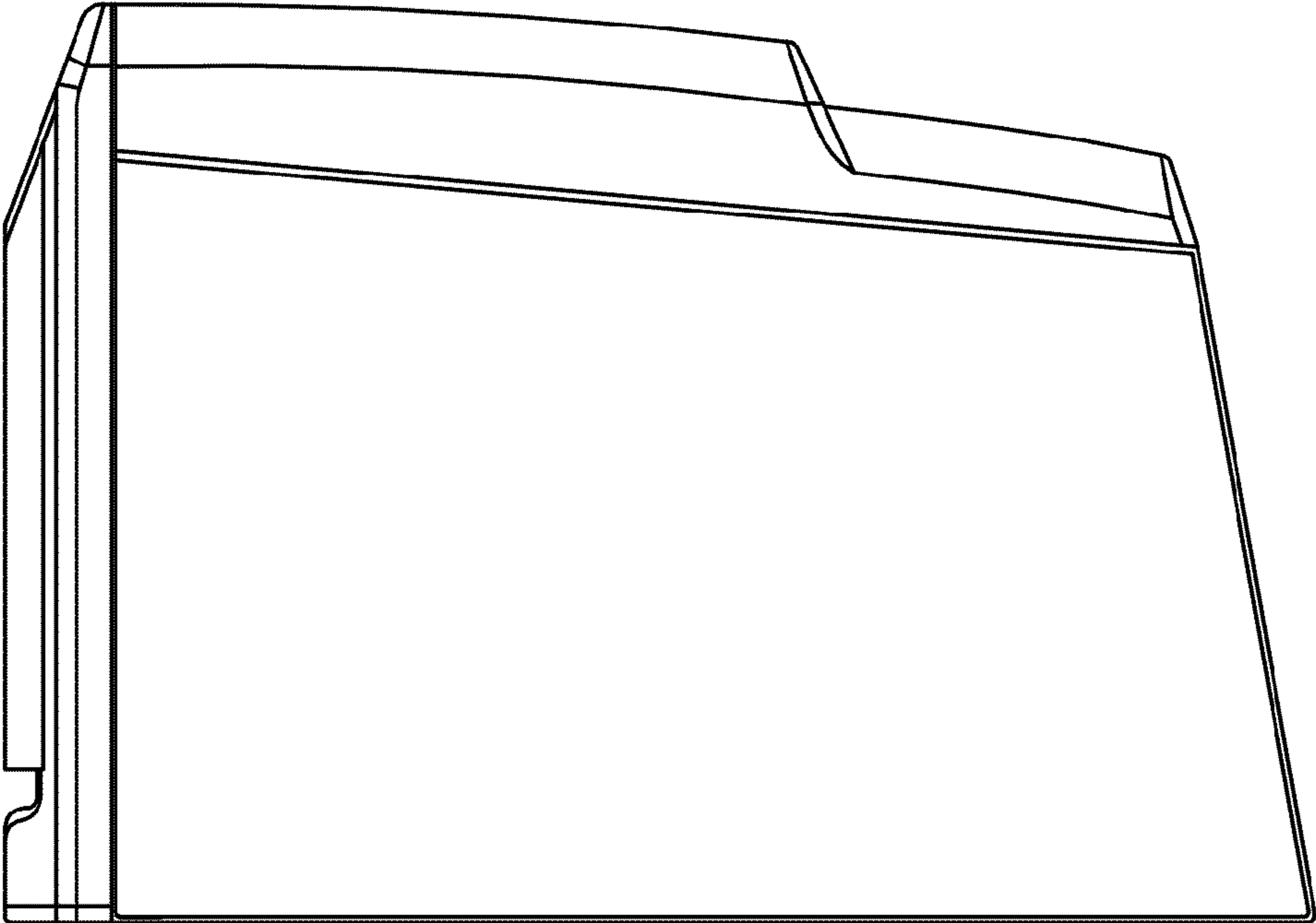


FIG. 6

