



US00D758678S

(12) **United States Design Patent**
Cook et al.

(10) **Patent No.:** **US D758,678 S**
(45) **Date of Patent:** **** Jun. 7, 2016**

- (54) **CAT TOY**
- (71) Applicant: **Radio Systems Corp.**, Knoxville, TN (US)
- (72) Inventors: **Alan J. Cook**, Chicago, IL (US);
Christian Castro, Chicago, IL (US);
Gerard Fubershaw, Menlo Park, CA (US)
- (73) Assignee: **Radio Systems Corporation**, Knoxville, TN (US)
- (**) Term: **14 Years**
- (21) Appl. No.: **29/517,149**
- (22) Filed: **Feb. 10, 2015**

- 5,103,770 A 4/1992 Berkovich
- 5,111,771 A 5/1992 Mathews
- D335,553 S 5/1993 Conner
- D335,554 S 5/1993 Conner
- 5,269,261 A 12/1993 McCance
- D345,633 S 3/1994 McCance
- 5,390,629 A 2/1995 Simone
- D359,822 S 6/1995 McCance

(Continued)

FOREIGN PATENT DOCUMENTS

- | | | |
|----|-----------|--------|
| CN | 201234507 | 5/2009 |
| CN | 202285810 | 7/2012 |
| CN | 202310841 | 7/2012 |

OTHER PUBLICATIONS

Web page from www.frolicat.com for "Bolt" toy printed May 13, 2013 (3 pages).

(Continued)

Related U.S. Application Data

- (63) Continuation-in-part of application No. 29/460,069, filed on Jul. 8, 2013, now Pat. No. Des. 724,795, which is a continuation-in-part of application No. 29/424,368, filed on Jun. 11, 2012, now abandoned.
- (51) **LOC (10) Cl.** **30-09**
- (52) **U.S. Cl.**
USPC **D30/160**
- (58) **Field of Classification Search**
USPC D30/160; D24/194-195, 211-214
CPC . A01K 15/025; A01K 15/026; A01K 15/027;
A61H 15/00; A61H 15/0085
See application file for complete search history.

Primary Examiner — Cathy Anne MacCormac

(74) *Attorney, Agent, or Firm* — Peter L. Brewer; Baker Donelson IP

(57) **CLAIM**

We claim the ornamental design for a cat toy, as shown.

DESCRIPTION

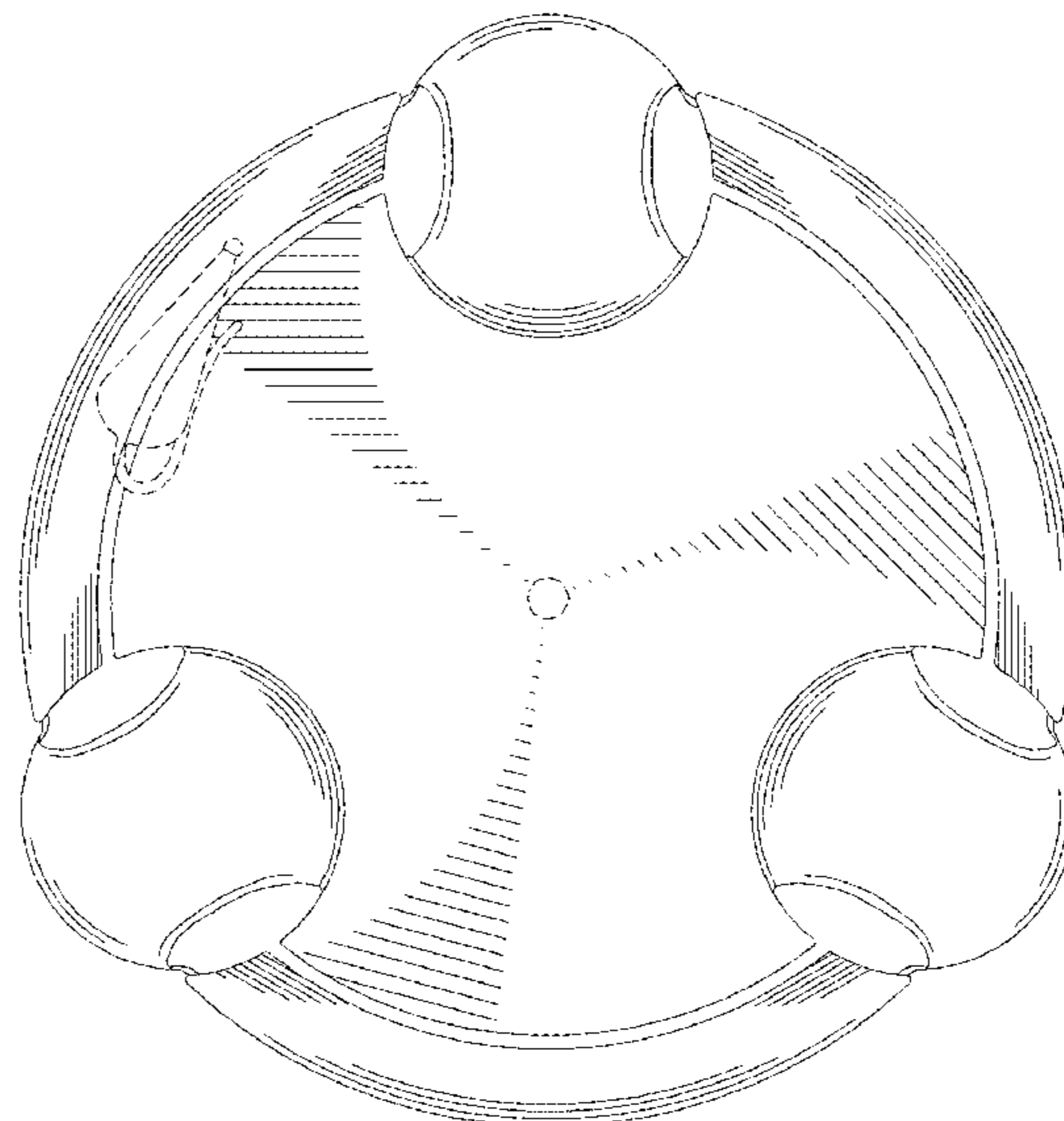
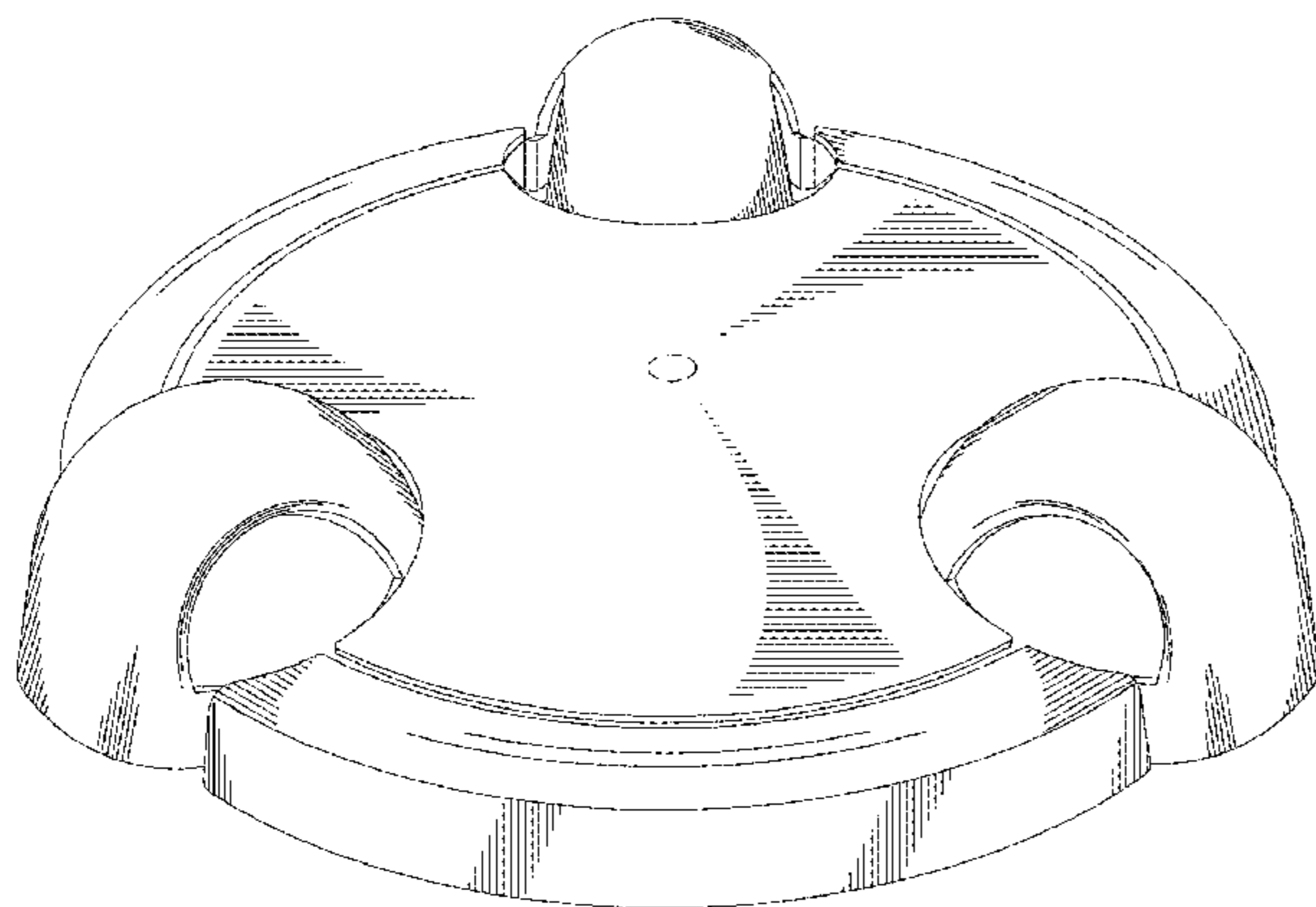
FIG. 1 is a perspective view of the cat toy.
 FIG. 2 is a top view thereof.
 FIG. 3 is an exploded right side view thereof.
 FIG. 4 is a left side view thereof.
 FIG. 5 is a front view thereof.
 FIG. 6 is a back view thereof; and,
 FIG. 7 is a bottom view thereof.
 The features shown in broken lines are for illustration only and depict portions of the cat toy that form no part of the claimed design.

(56) **References Cited**

U.S. PATENT DOCUMENTS

- | | | |
|-------------|--------|--------------|
| 2,211,102 A | 8/1940 | Davis |
| D273,314 S | 4/1984 | McCoy et al. |
| 4,534,316 A | 8/1985 | Bowlsby |
| 4,722,299 A | 2/1988 | Mohr |
| 5,009,193 A | 4/1991 | Gordon |

1 Claim, 4 Drawing Sheets



(56)

References Cited

U.S. PATENT DOCUMENTS

5,517,948 A 5/1996 Udelle et al.
 5,529,017 A 6/1996 Udelle et al.
 5,572,955 A 11/1996 Boshears
 5,579,725 A 12/1996 Boshears
 5,634,435 A 6/1997 Udelle et al.
 5,785,005 A 7/1998 Udelle et al.
 5,806,465 A 9/1998 Baiera et al.
 D405,563 S 2/1999 Baiera
 5,875,736 A 3/1999 Udelle et al.
 5,881,679 A 3/1999 Hann
 5,934,223 A 8/1999 Ellery-Guy
 6,174,216 B1 1/2001 Chianese
 6,510,817 B2 1/2003 Horvath
 6,550,426 B2 4/2003 Tsengas
 6,591,785 B1 7/2003 Boshears
 6,640,750 B2 11/2003 Rowe et al.
 6,701,872 B1 3/2004 Allen
 7,044,084 B2 5/2006 Ritchey
 7,631,617 B1 12/2009 Tsengas
 7,762,213 B2 7/2010 Cook et al.
 7,806,087 B2 10/2010 Plante
 D633,661 S 3/2011 Kellogg et al.
 7,997,230 B2 8/2011 Cook et al.
 8,011,326 B2 9/2011 Del Pinal et al.
 D646,443 S 10/2011 Cook et al.
 8,109,239 B1 2/2012 Smestad et al.
 D656,282 S 3/2012 Dixon et al.

8,161,908 B2 4/2012 Cook et al.
 D659,305 S 5/2012 Song et al.
 D659,915 S 5/2012 Letchford
 8,166,918 B2 5/2012 Cook et al.
 8,166,919 B2 5/2012 Cook et al.
 8,166,920 B2 5/2012 Cook et al.
 D662,675 S 6/2012 Siklosi
 8,347,823 B1 1/2013 Thomas et al.
 8,393,300 B2 3/2013 Markham et al.
 8,414,350 B2 4/2013 Rehkemper et al.
 8,640,653 B2 2/2014 Cook et al.
 8,944,011 B2 2/2015 Kirschbaum
 2010/0107990 A1 5/2010 Plante
 2011/0265728 A1 11/2011 Cook et al.
 2012/0234258 A1 9/2012 Cook et al.
 2012/0298049 A1 11/2012 Cook et al.
 2013/0081577 A1 4/2013 Morris

OTHER PUBLICATIONS

Web page from www.frolicat.com for “Dart” toy printed May 13, 2013 (2 pages).
 Web page from www.frolicat.com for “Sway” toy printed May 13, 2013 (2 pages).
 Web page from www.frolicat.com for “Twitch” toy printed May 13, 2013 (2 pages).
 On-line product available from www.amazon.com called Ethical Pet Mouse Chase Electronic Cat Toy (printed Jul. 30, 2013).
http://www.amazon.com/Ethical-Pet-Mouse-Chase-Electronic/db/B003595JRW/ref=pd_sim_1_hg_1.
 Pounce cat toy; petsafe.net; dated Aug. 28, 2015.

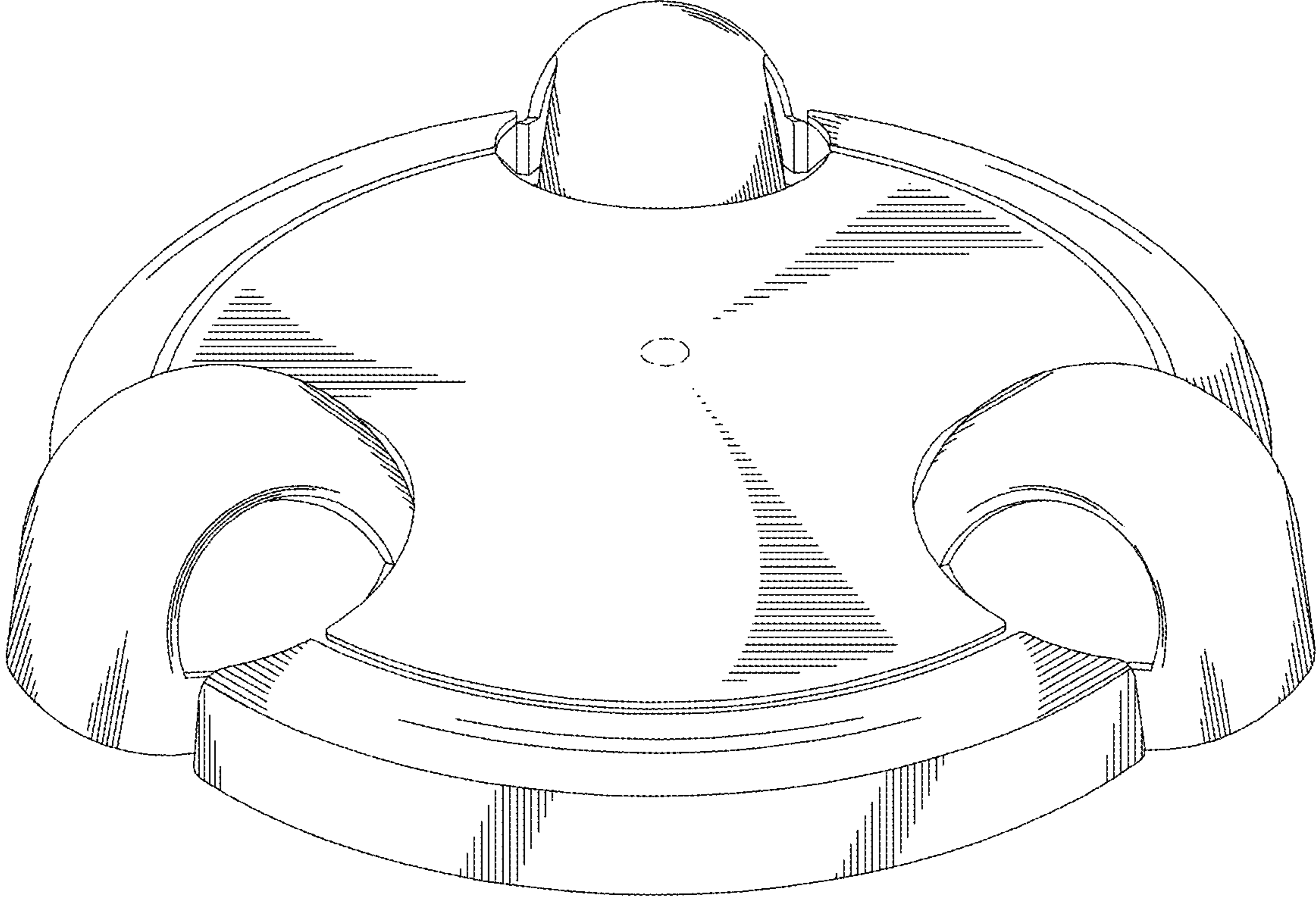


FIG. 1

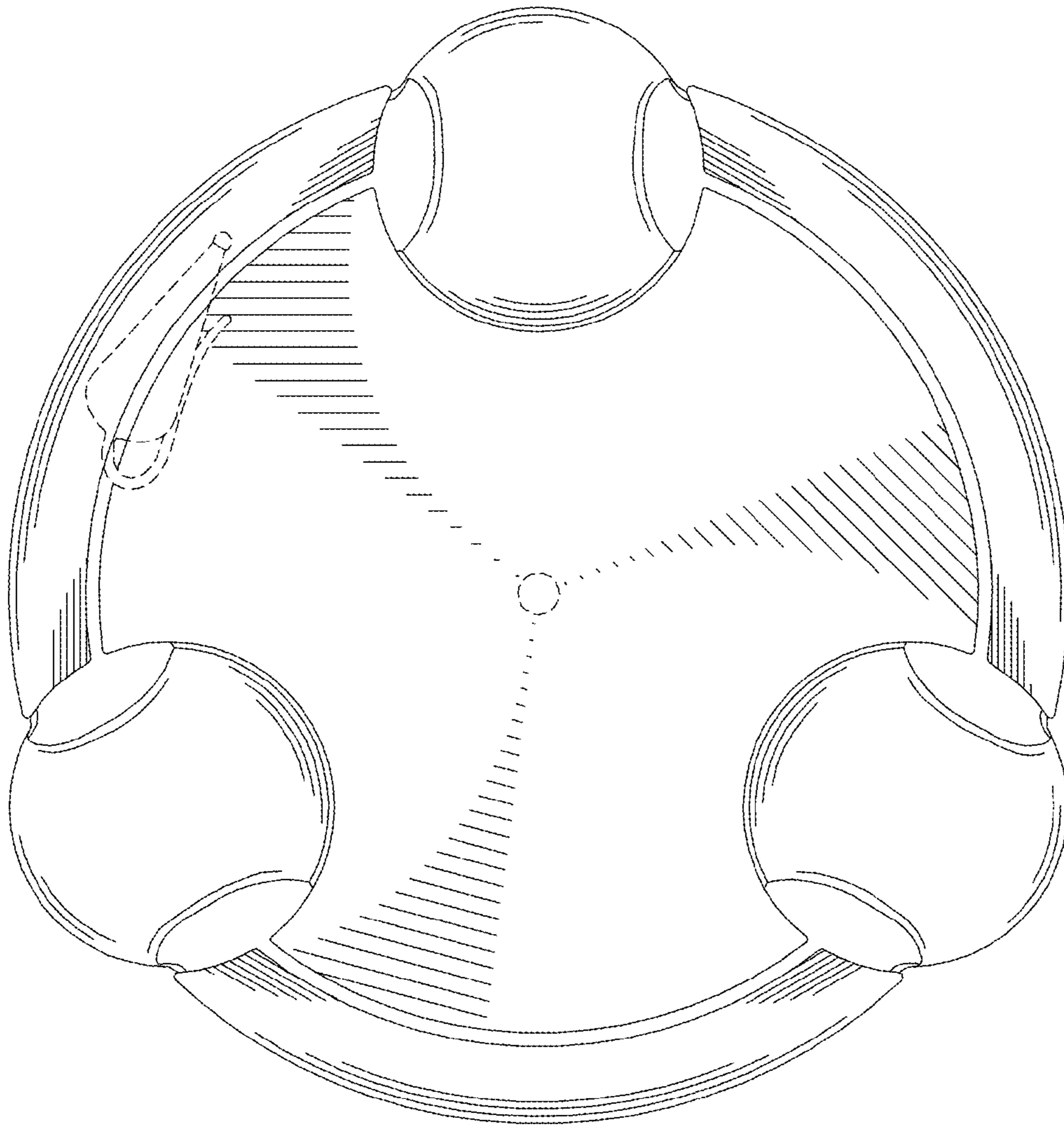


FIG. 2

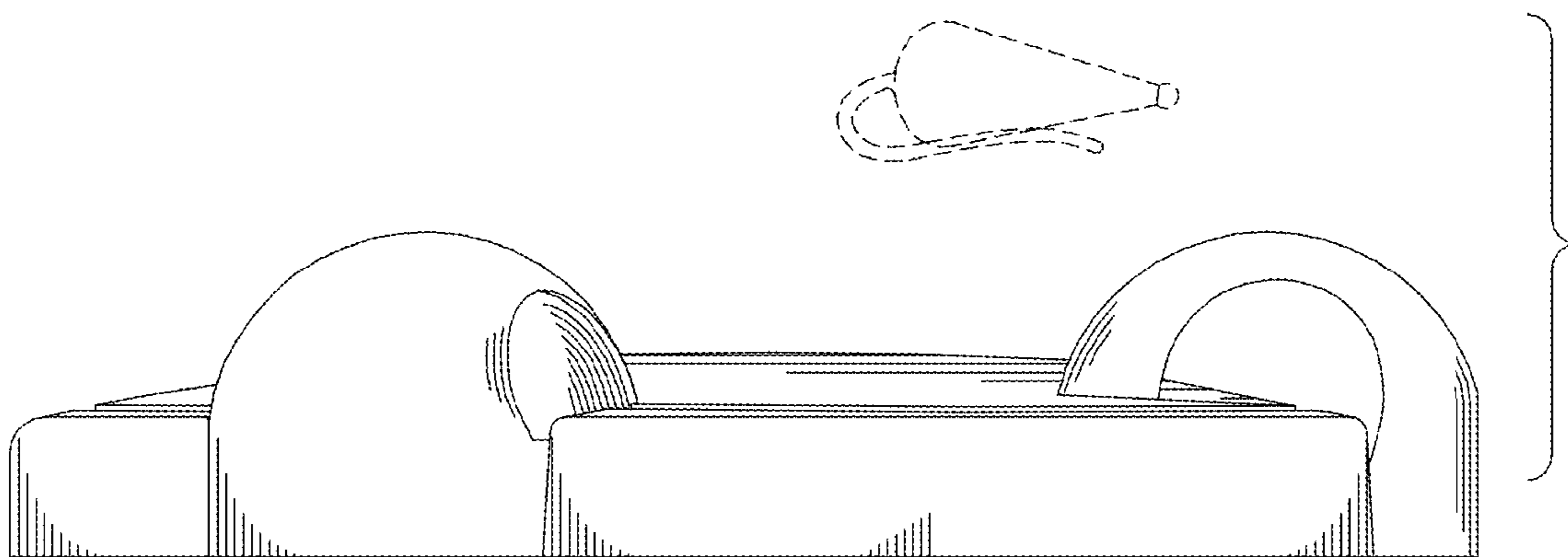


FIG. 3

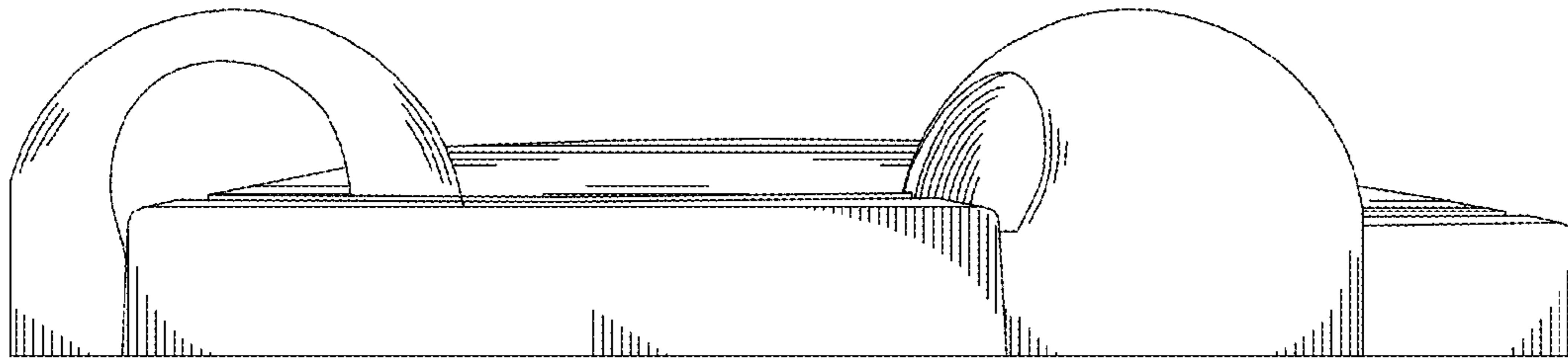


FIG. 4

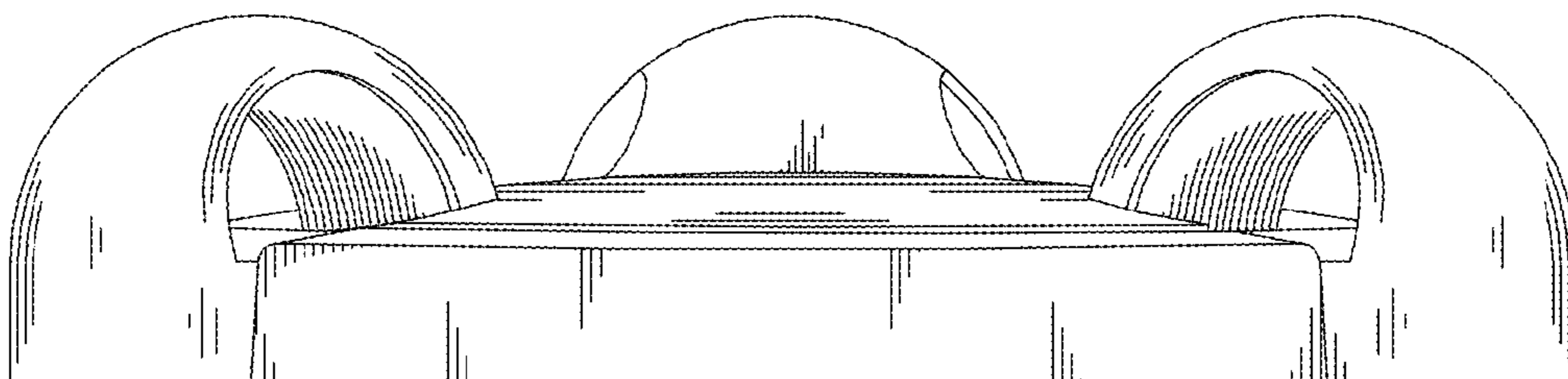


FIG. 5

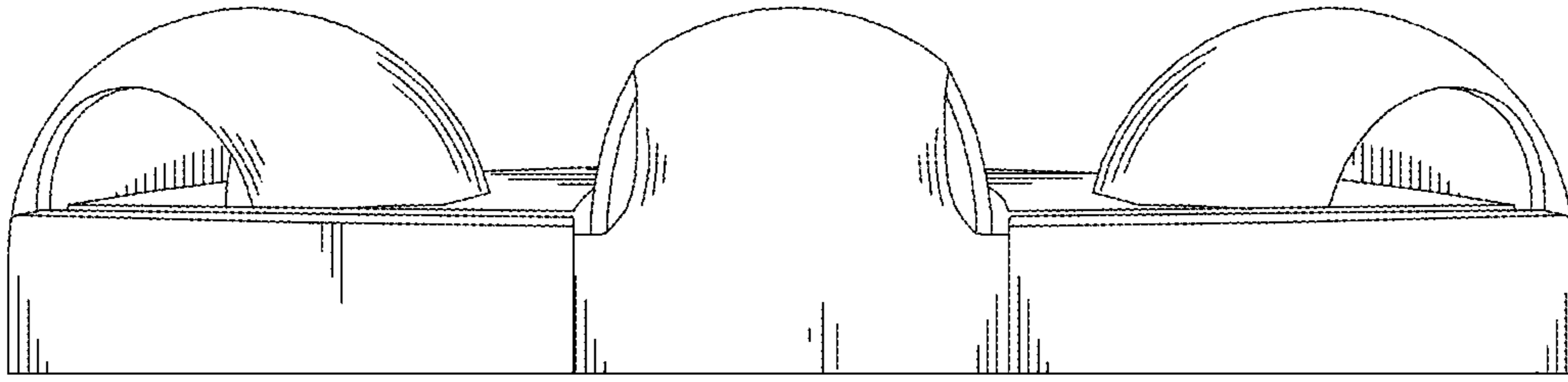


FIG. 6

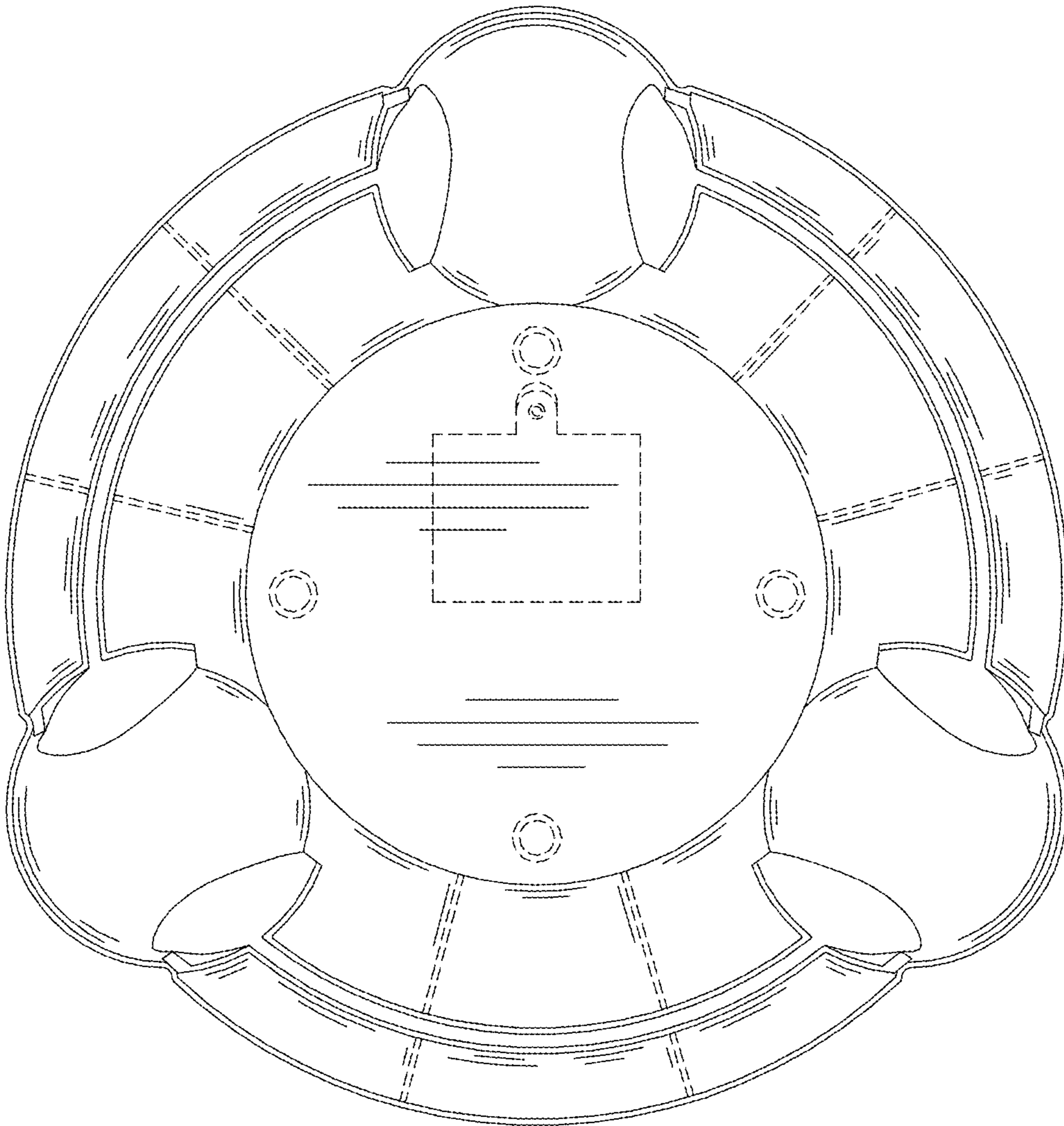


FIG. 7