



US00D758676S

(12) **United States Design Patent**
Rollins

(10) **Patent No.:** **US D758,676 S**
(45) **Date of Patent:** **** Jun. 7, 2016**

- (54) **REFLECTIVE SAFETY COAT FOR A PET**
- (71) Applicant: **Tona Rollins**, San Diego, CA (US)
- (72) Inventor: **Tona Rollins**, San Diego, CA (US)
- (**) Term: **14 Years**
- (21) Appl. No.: **29/513,714**
- (22) Filed: **Jan. 5, 2015**
- (51) **LOC (10) Cl.** **30-01**
- (52) **U.S. Cl.**
USPC **D30/145**
- (58) **Field of Classification Search**
USPC D30/121, 144, 145, 154, 160, 161, 199;
119/654, 712, 769, 770, 792, 793, 795,
119/850, 856, 858, 863, 868; 2/102, 171,
2/181.4, 184.5, 202, 207, 467; 54/79.1,
54/79.2, 79.3, 79.4, 80.1; 602/60, 61
CPC A01K 13/00; A01K 13/006; A01K 13/008
See application file for complete search history.

(56) **References Cited**

U.S. PATENT DOCUMENTS

D142,815 S *	11/1945	Ardmore	D30/145
3,248,852 A *	5/1966	Schwartz	A01K 13/006 119/850
D213,053 S *	12/1968	Church	D30/145
D220,191 S *	3/1971	Giordano	54/79.1
3,918,238 A *	11/1975	Iozzio	A01K 13/006 119/850
4,384,548 A	5/1983	Cohn		
D363,572 S *	10/1995	Obenchain	D30/145
D427,734 S	7/2000	Balzarini		
6,085,698 A	7/2000	Klein		
D441,924 S *	5/2001	Mann	D30/145
6,223,696 B1	5/2001	Murakami		
D470,275 S	2/2003	Lidis		
6,584,939 B1	7/2003	Brezinski		
6,769,138 B2	8/2004	Golle et al.		
D615,252 S *	5/2010	Nunes-Freitas	D30/145
2008/0163831 A1	7/2008	Romanuck		

2010/0132631 A1 *	6/2010	Walker-Algaze	A01K 13/006 119/850
2012/0024239 A1 *	2/2012	Forbes	A01K 13/006 119/850
2014/0150161 A1 *	6/2014	Nykoluk	A41D 13/0007 2/102

OTHER PUBLICATIONS

“Zack and Zoey Expedition Reflective Dog Snowsuit”. Found online Jan. 8, 2016 at baxterboo.com. Page dated Sep. 22, 2014. Retrieved from <http://web.archive.org/web/20140922091333/http://www.baxterboo.com/p.cfm/zack-zoey-expedition-reflective-dog-snowsuit>.*

“Wind Breaker Dog Raincoat by Puppia—Royal Blue”. Found online Jan. 8, 2016 at baxterboo.com. Page dated Jun. 30, 2013. Retrieved from <http://web.archive.org/web/20130630065141/http://www.baxterboo.com/p.cfm/wind-breaker-dog-raincoatpuppia-royal-blue>.*

(Continued)

Primary Examiner — Robert M Spear

Assistant Examiner — Kendra L Hamilton

(74) *Attorney, Agent, or Firm* — Robert C. Montgomery; Montgomery Patent & Design LP.

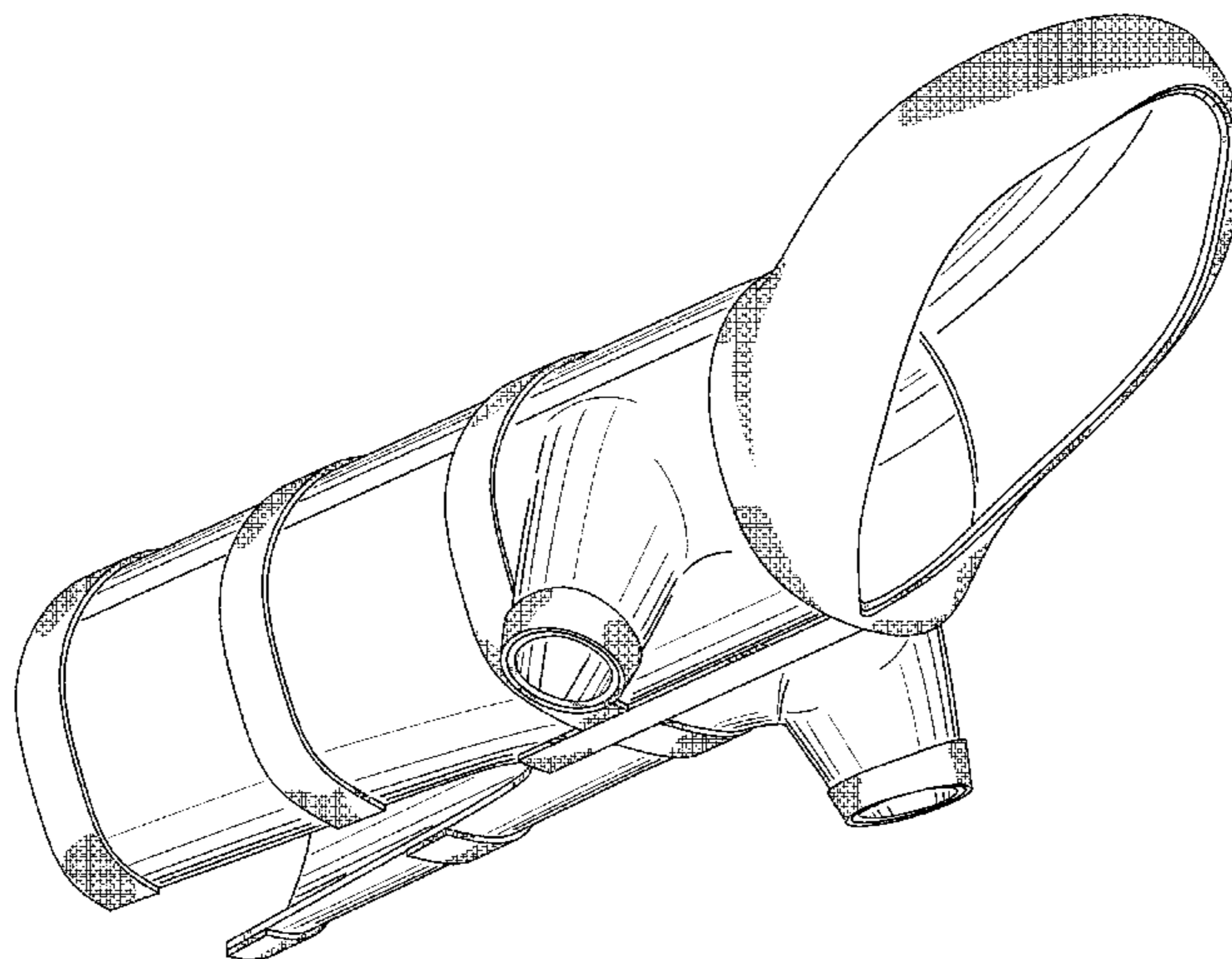
(57) **CLAIM**

The ornamental design for a reflective safety coat for a pet, as shown and described.

DESCRIPTION

FIG. 1 is a perspective bottom view of a reflective safety coat for a pet, showing my new design;
FIG. 2 is a perspective top view thereof;
FIG. 3 is a front view thereof;
FIG. 4 is a back view thereof;
FIG. 5 is a right side view with the left side view being a mirror image thereof;
FIG. 6 is a top view thereof; and,
FIG. 7 is bottom view thereof.

1 Claim, 7 Drawing Sheets



(56)

References Cited

OTHER PUBLICATIONS

“Rain Jacker with Reflective Strip”. Found online Jan. 6, 2016 at baxterboo.com. Page dated Nov. 7, 2013. Retrieved from <http://www.baxterboo.com/p.cfm/rain-jacket-with-reflective-strip-blue>.*

“Petego Dogrich Rainforest Dog Raincoat, Yellow”. Found online Jan. 14, 2016 at amazon.com. Page dated Nov. 15, 2010. Retrieved from http://www.amazon.com/Petego-Rainforest-Detachable-Undercoat-12/dp/B003P9XJG0/ref=cm_cr_pr_product_top?ie=UTF8.*

* cited by examiner

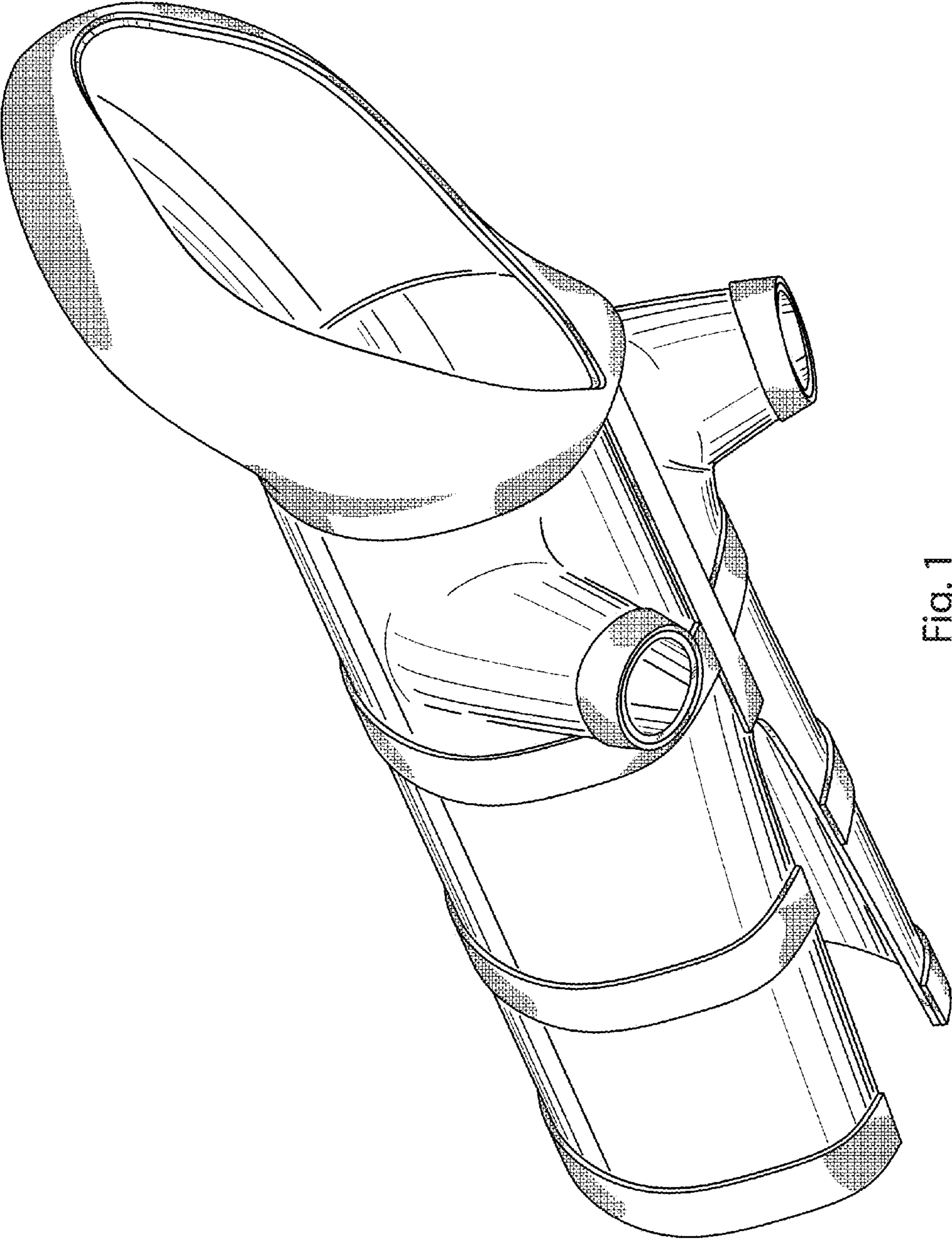


Fig. 1

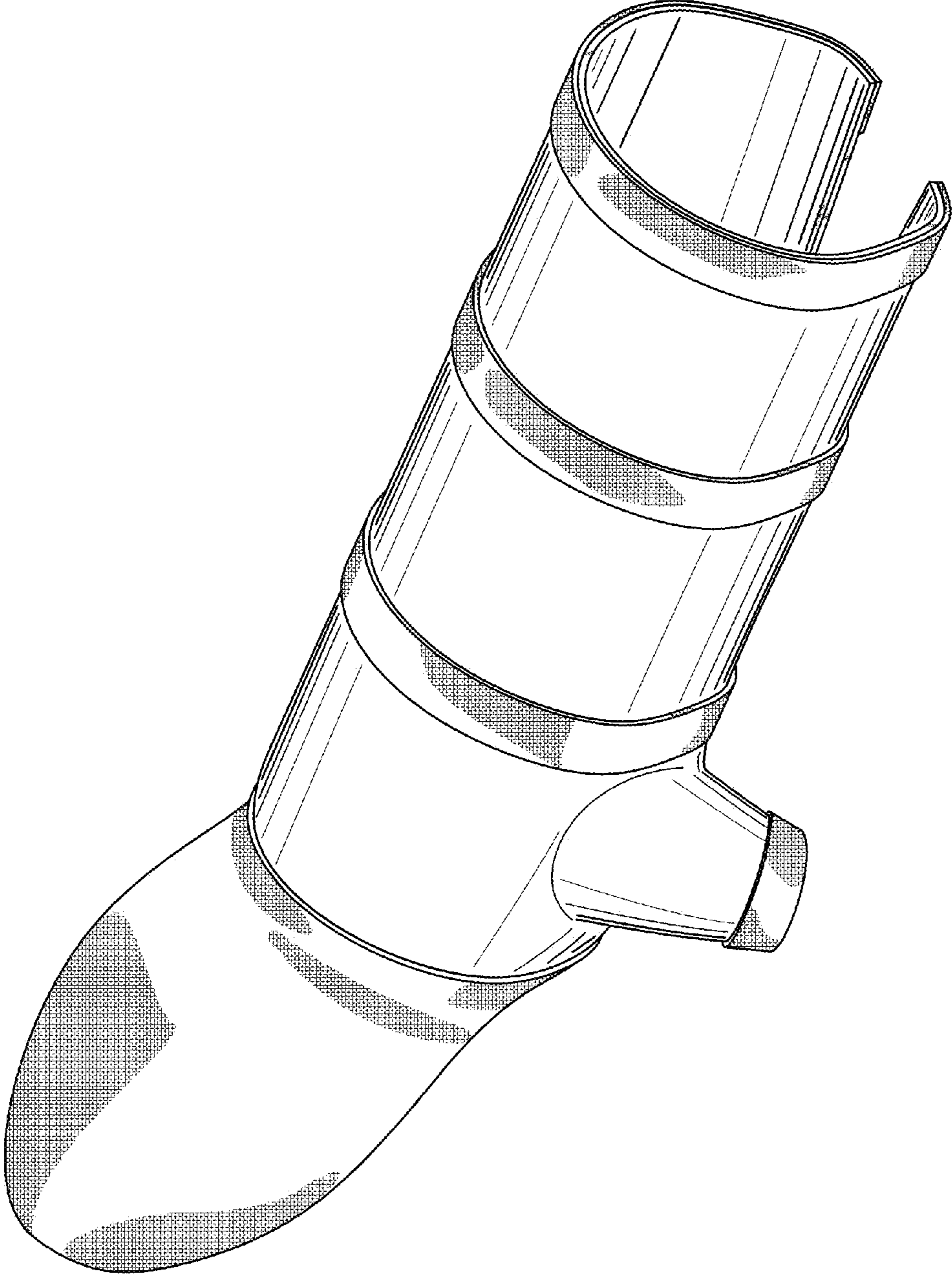


Fig. 2

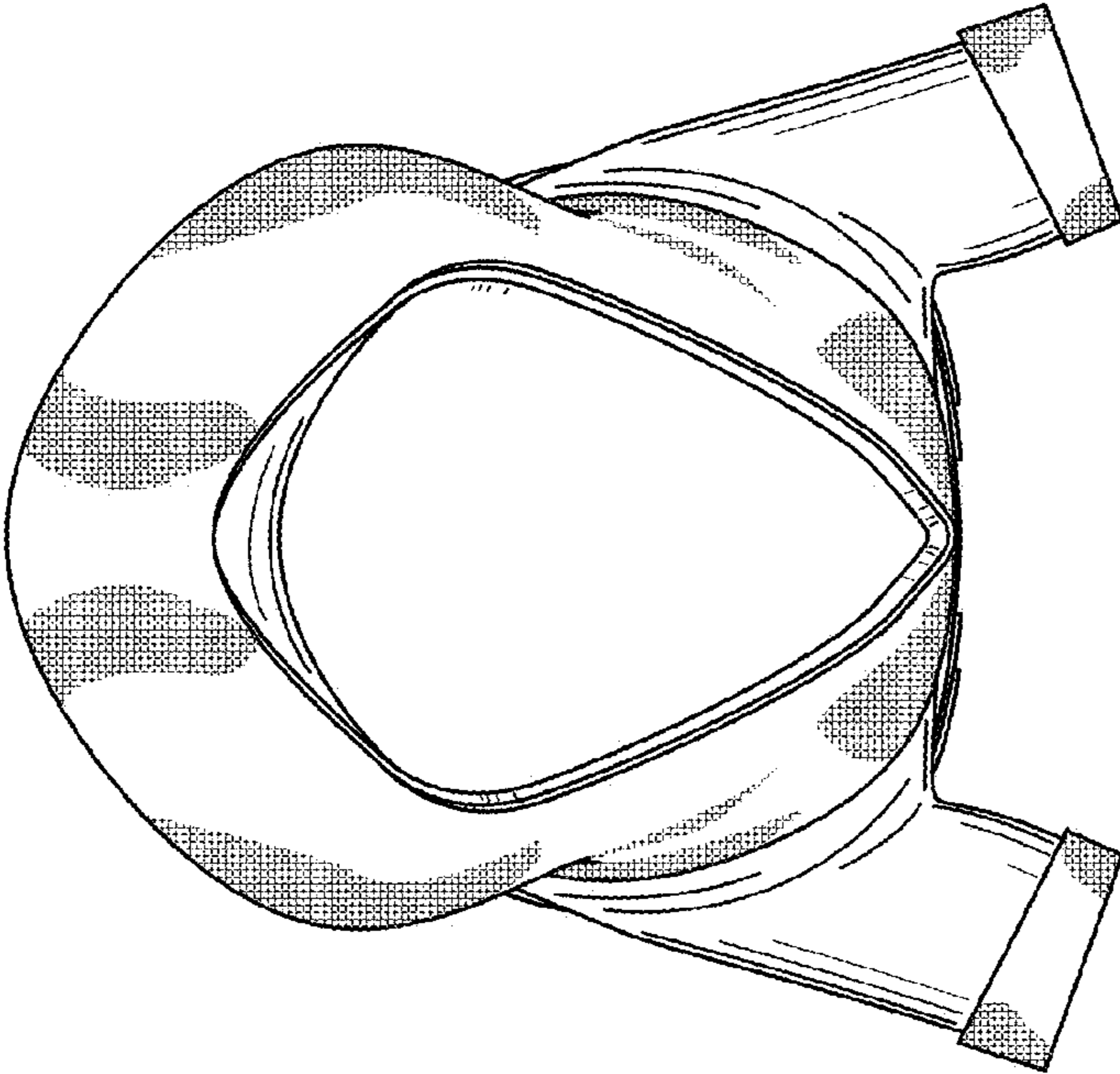


Fig. 3

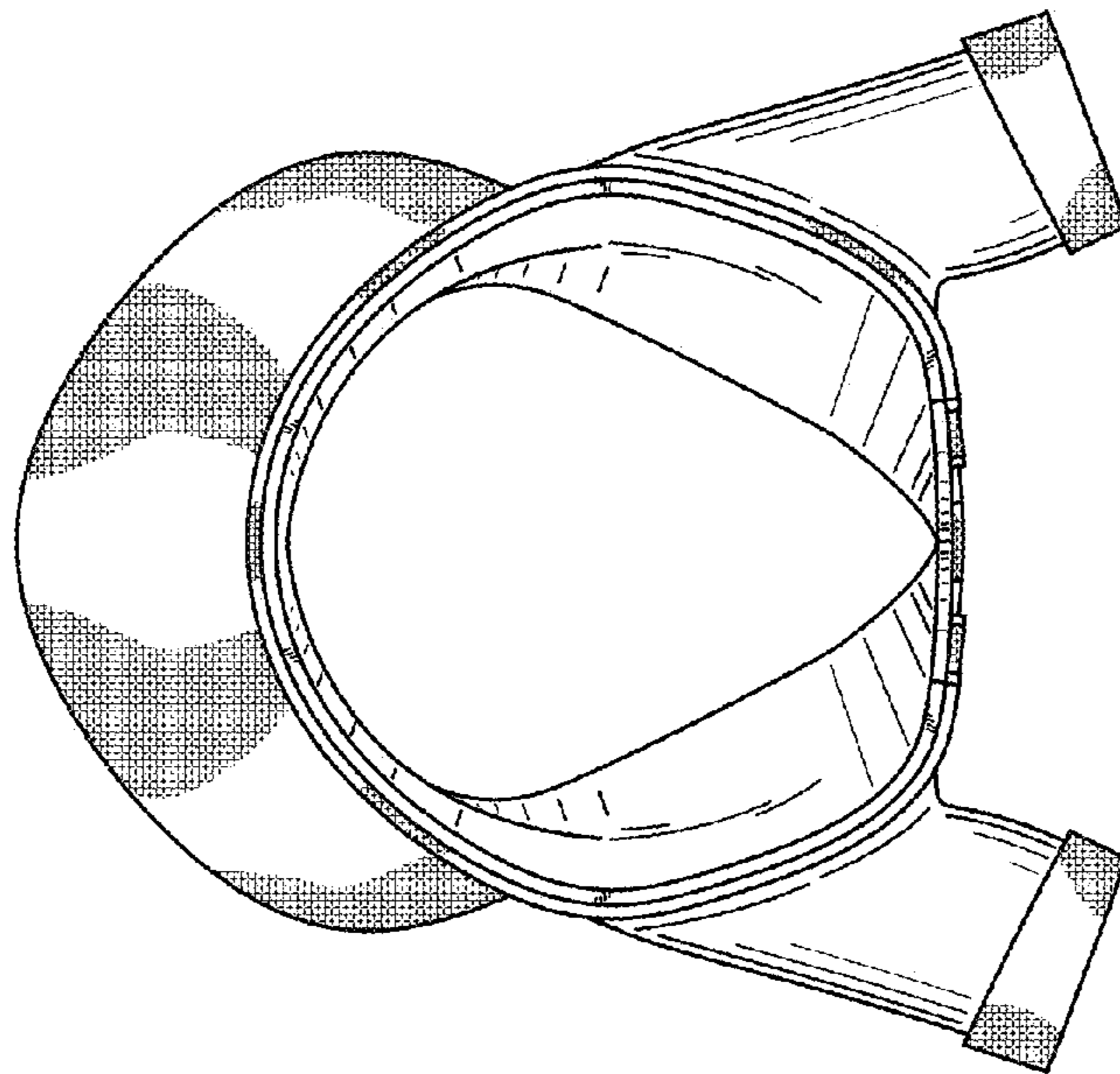


Fig. 4

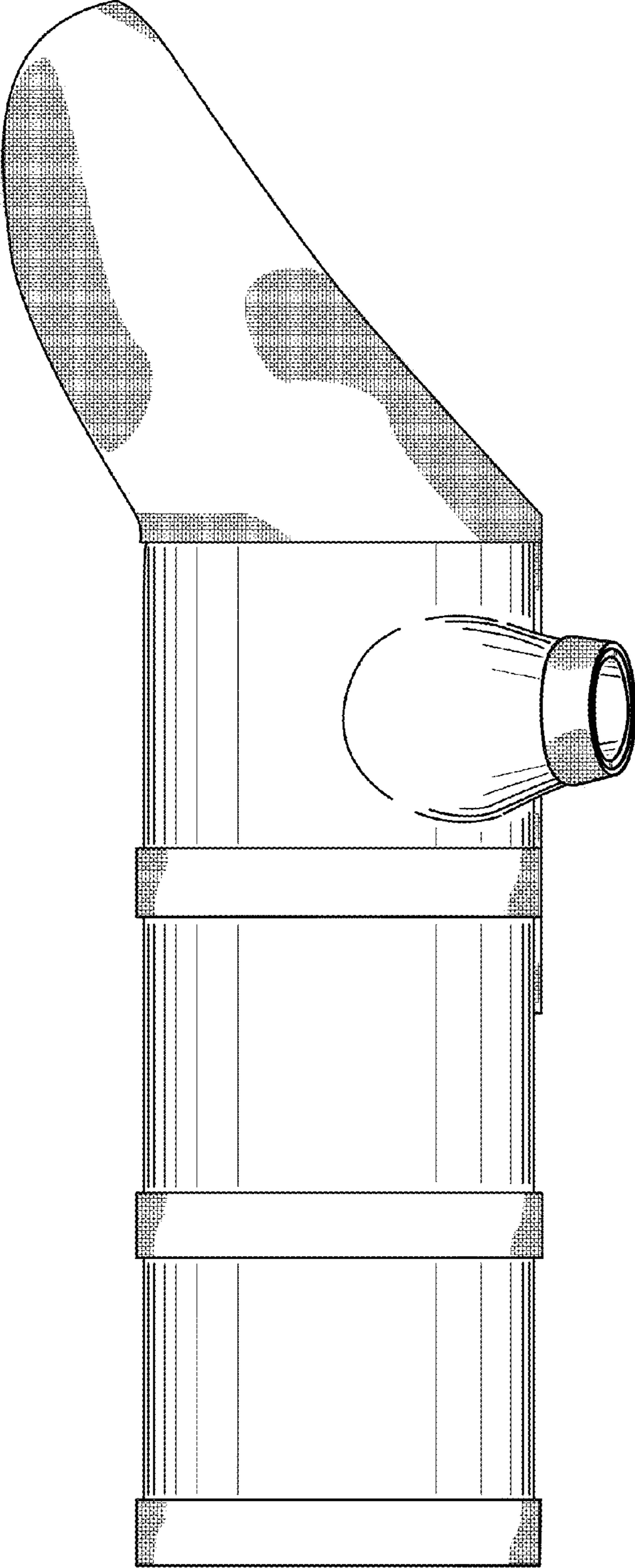


Fig. 5

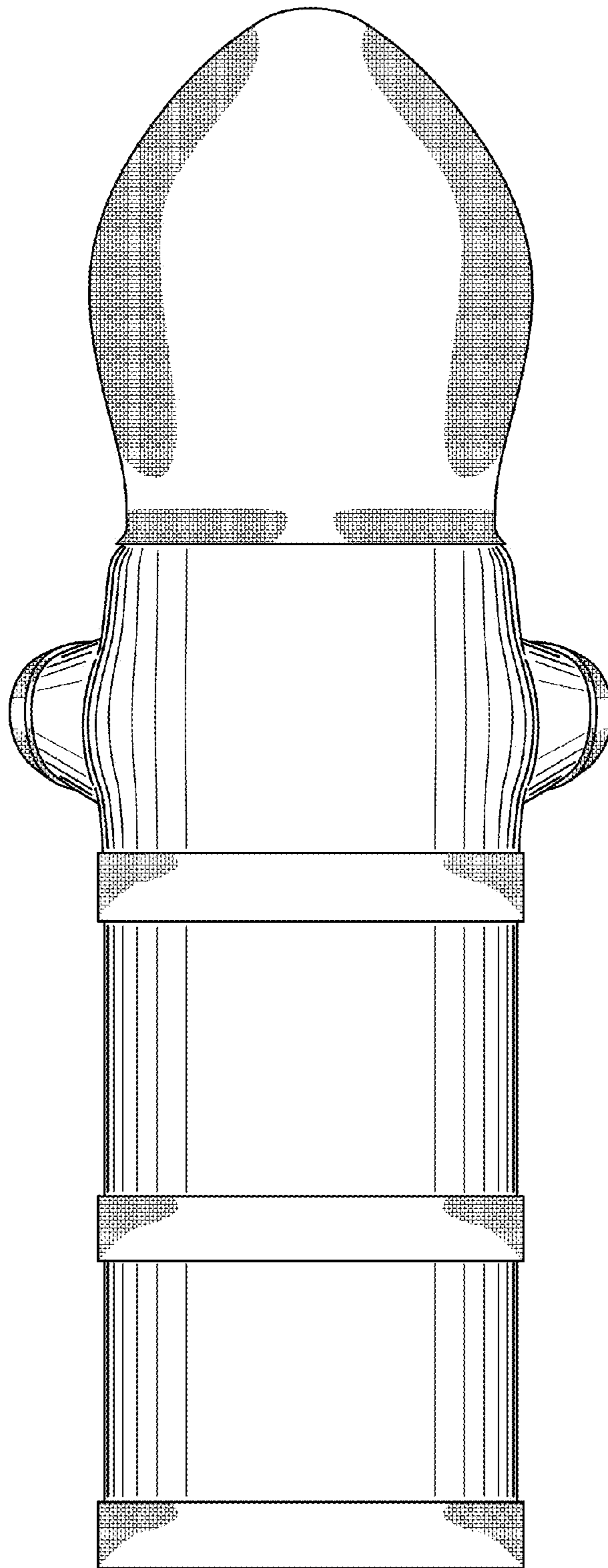


Fig. 6

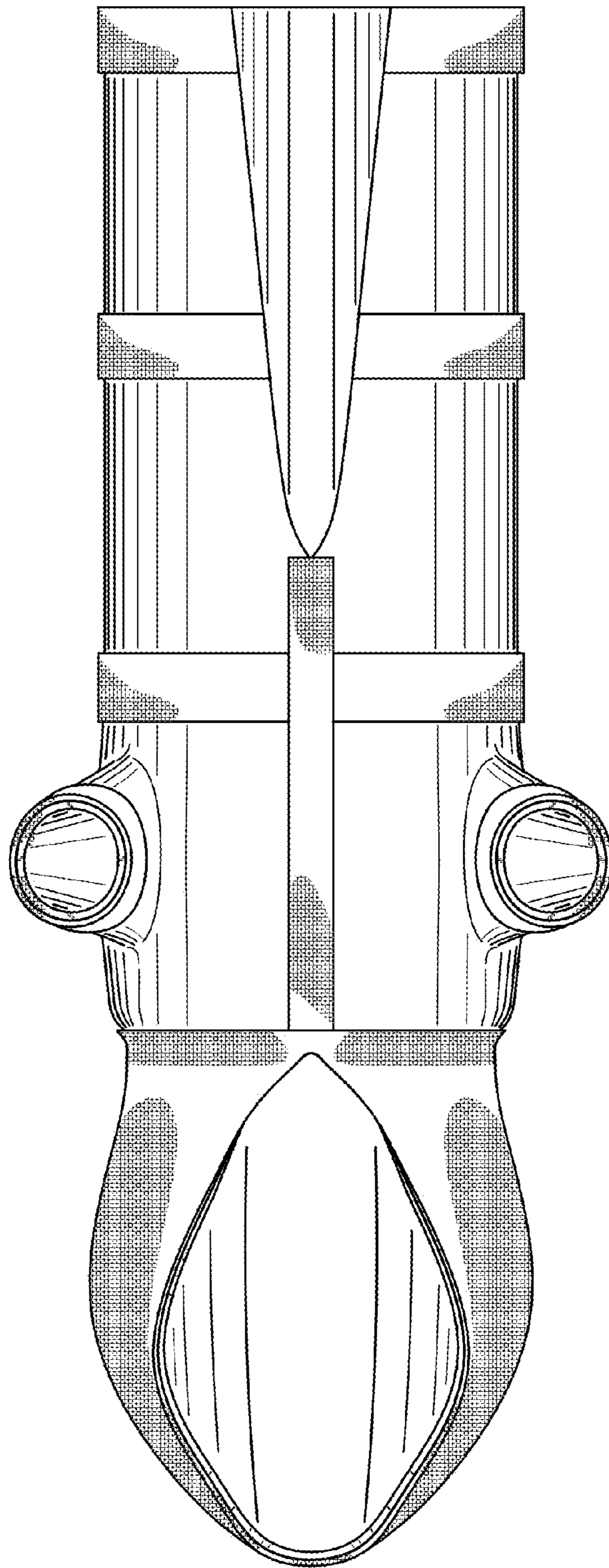


Fig. 7