



US00D758675S

(12) **United States Design Patent**  
**Breit**

(10) **Patent No.:** **US D758,675 S**  
(45) **Date of Patent:** **\*\* Jun. 7, 2016**

- (54) **PET BOWL**
- (71) Applicant: **O2Cool, LLC**, Chicago, IL (US)
- (72) Inventor: **Oliver Breit**, Discovery Bay (HK)
- (73) Assignee: **O2COOL, LLC**, Chicago, IL (US)
- (\*\*) Term: **14 Years**
- (21) Appl. No.: **29/525,515**
- (22) Filed: **Apr. 30, 2015**
- (51) **LOC (10) Cl.** ..... **30-03**
- (52) **U.S. Cl.**  
USPC ..... **D30/130**
- (58) **Field of Classification Search**  
USPC ..... D30/121, 122, 129-133; 119/61.5,  
119/51.01, 61.56, 51.03, 59, 62, 63, 51.5,  
119/57.8, 74, 61.54, 61.55, 61; 312/204;  
248/151, 188; 108/156, 153.1-157;  
220/23.87, 630, 737, 743, 9.4, 495.01,  
220/574, 212, 255, 23.83, 575; 206/515;  
D7/586, 543, 550.1, 587, 505, 584,  
D7/545, 500, 553.1-553.8, 546, 555, 556,  
D7/504, 565, 562, 602, 507, 549, 558,  
D7/552.2, 560, 566, 548, 681; D9/429;  
43/109; D22/122; 99/430, DIG. 15  
CPC ..... A01K 5/01-5/0142; A01K 7/005  
See application file for complete search history.

- D374,516 S \* 10/1996 Lillelund ..... D30/121
- D385,068 S \* 10/1997 Malcolm ..... D30/130
- 5,775,255 A \* 7/1998 Louviere, III ..... A01K 5/0142  
119/51.5
- 6,145,474 A \* 11/2000 Lemkin ..... A01K 5/0114  
119/61.5
- D442,443 S \* 5/2001 Perndocaj ..... D7/701
- D458,419 S \* 6/2002 Ross ..... D30/129
- D467,045 S \* 12/2002 Tsengas ..... D30/130
- D467,687 S \* 12/2002 Tangolics ..... D30/129
- D486,273 S \* 2/2004 Tsengas ..... D30/130
- D486,274 S \* 2/2004 Tsengas ..... D30/130
- D489,847 S \* 5/2004 Tsengas ..... D30/130
- D491,697 S \* 6/2004 Tsengas ..... D30/130
- 6,854,419 B1 \* 2/2005 Tsengas ..... A01K 5/0114  
119/51.5
- 7,073,461 B2 \* 7/2006 Gonet ..... A01K 5/025  
119/51.5
- D592,911 S \* 5/2009 Buchanan ..... D7/605
- D617,134 S \* 6/2010 Perkins ..... D7/364
- D646,442 S \* 10/2011 Chance ..... D30/130
- D700,408 S \* 2/2014 Dixon ..... D30/130
- 8,807,082 B1 \* 8/2014 Alfonso ..... A01K 5/0142  
119/51.5
- D717,006 S \* 11/2014 Alfonso ..... D30/129
- 2010/0107984 A1 \* 5/2010 Uffner ..... A01K 5/0128  
119/61.5
- 2014/0165919 A1 \* 6/2014 O'Connor ..... A01K 5/0142  
119/51.01

\* cited by examiner

Primary Examiner — Susan Moon Lee

(74) Attorney, Agent, or Firm — Thompson Coburn LLP

(56) **References Cited**

**U.S. PATENT DOCUMENTS**

- D101,329 S \* 9/1936 Cory ..... D7/364
- D186,040 S \* 9/1959 Stageberg ..... D7/566
- 3,785,348 A \* 1/1974 Polidori, Sr. .... A01K 1/0107  
119/62
- D244,947 S \* 7/1977 Gerber ..... D30/130
- 4,357,905 A \* 11/1982 Carpenter ..... A01K 5/0142  
119/51.5
- 4,922,858 A \* 5/1990 Ahrens ..... A01K 7/04  
119/73
- D313,488 S \* 1/1991 Conner ..... D30/130
- D313,489 S \* 1/1991 Conner ..... D30/121
- D322,887 S \* 1/1992 Kraker ..... D12/420
- D353,232 S \* 12/1994 Chrisco ..... D30/130
- D373,449 S \* 9/1996 Chen ..... D30/130
- D373,858 S \* 9/1996 Chen ..... D30/130

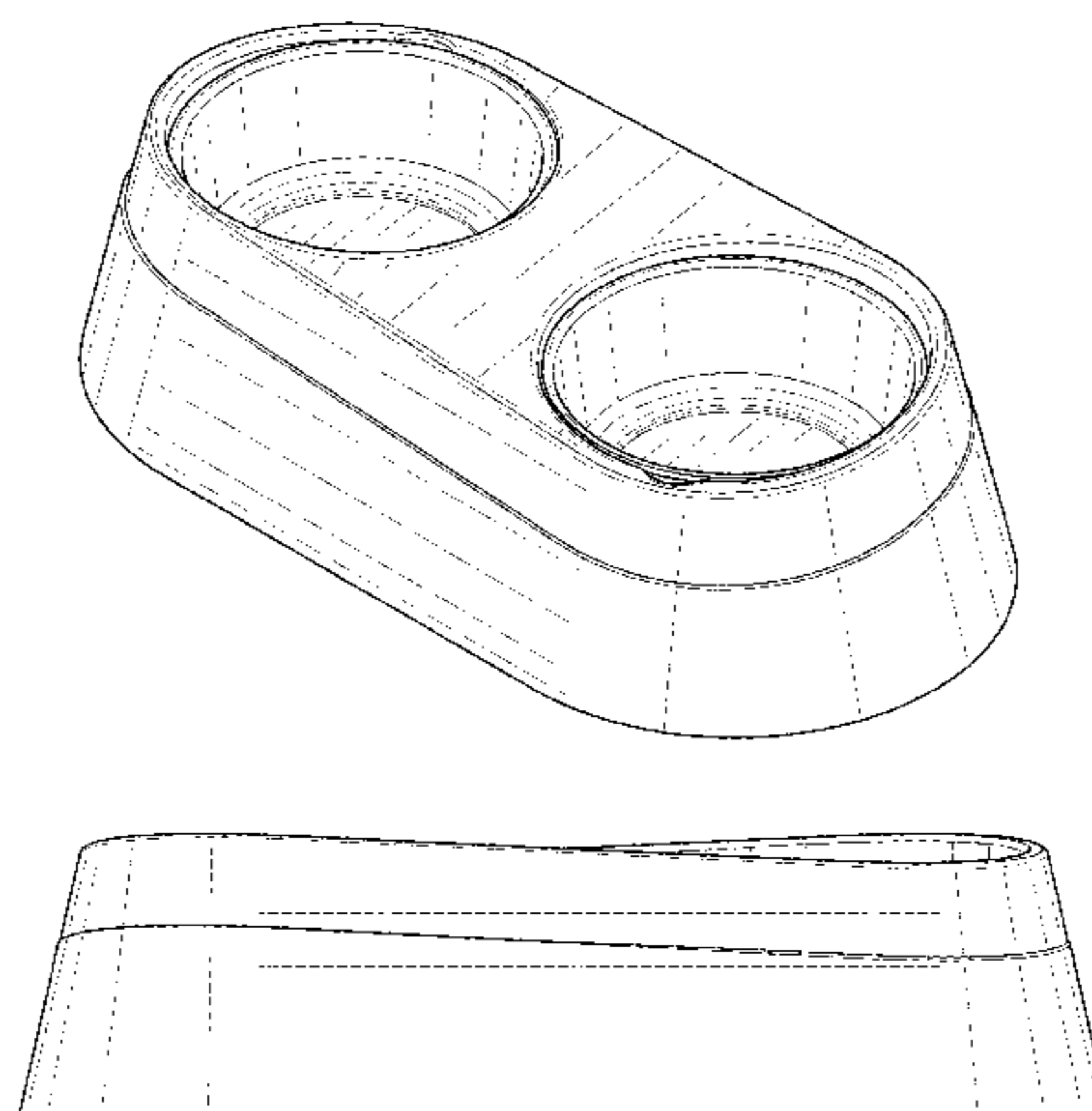
(57) **CLAIM**

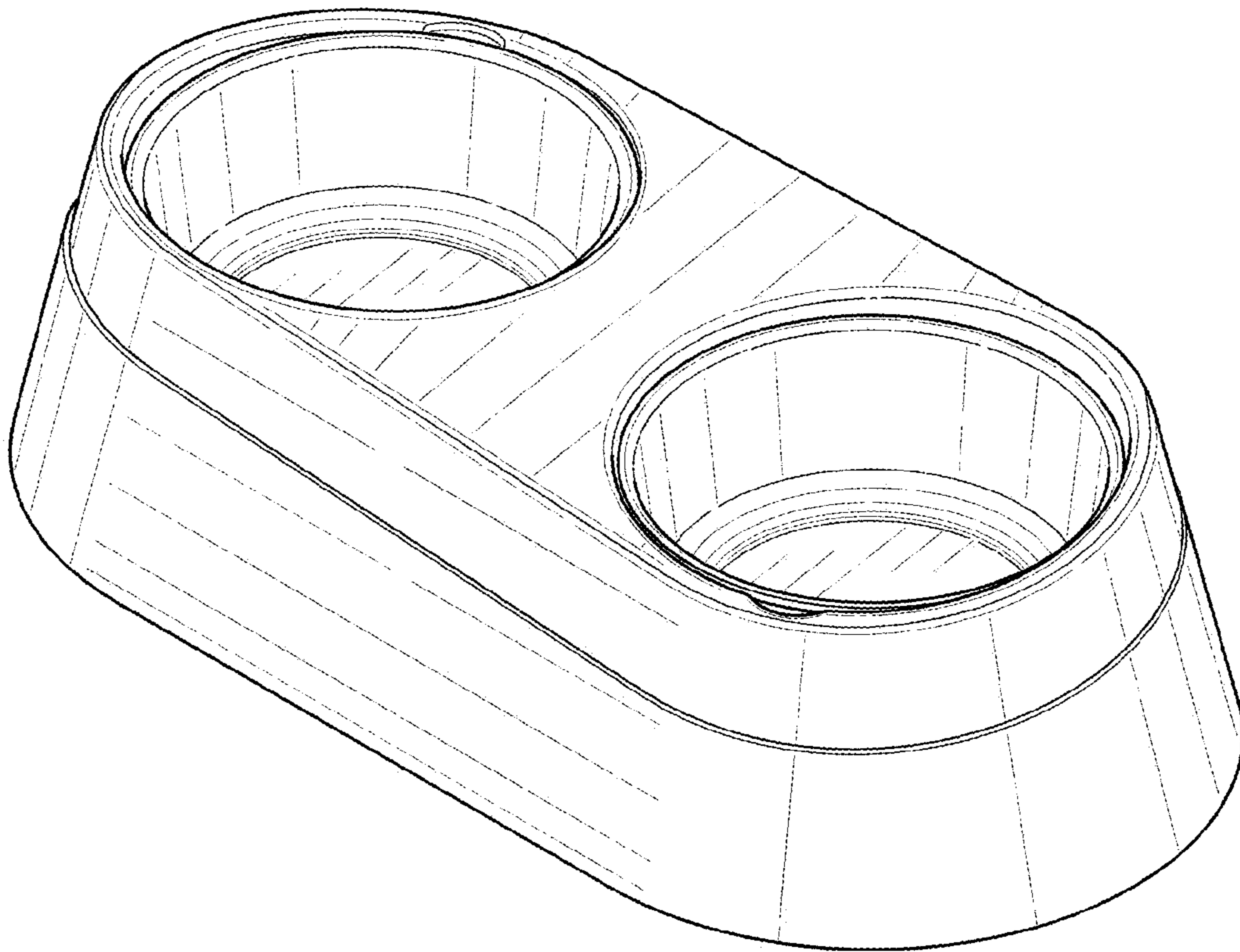
I claim the ornamental design for a pet bowl, as shown and described.

**DESCRIPTION**

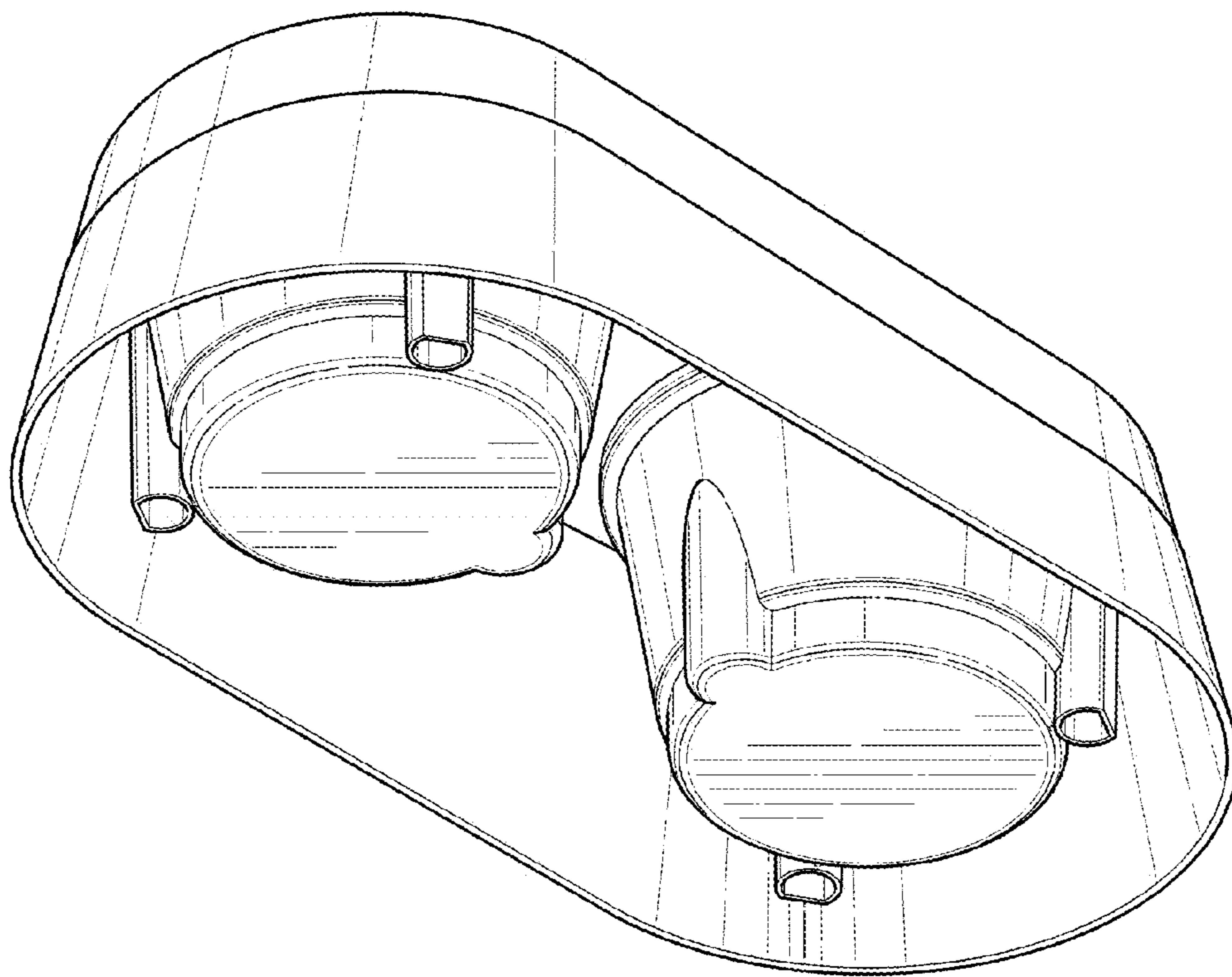
FIG. 1 is a top right corner perspective view of the pet bowl showing my new design;  
 FIG. 2 is a bottom left rear corner perspective view thereof;  
 FIG. 3 is a front elevation view thereof;  
 FIG. 4 is a right side view thereof, the left side view being identical;  
 FIG. 5 is a top plan view thereof; and,  
 FIG. 6 is a bottom view thereof.

**1 Claim, 6 Drawing Sheets**

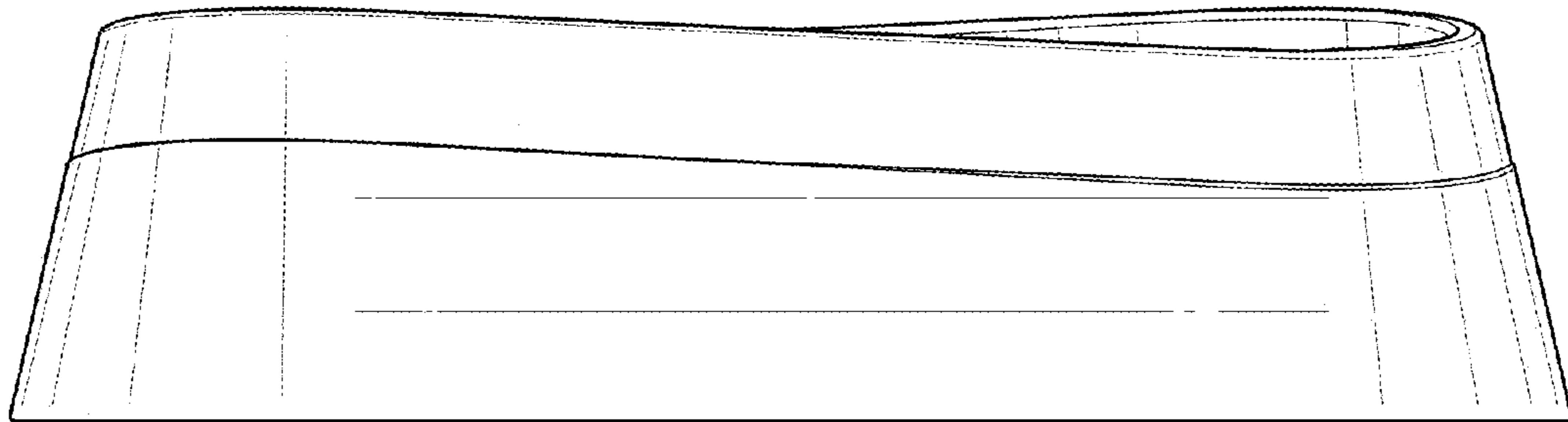




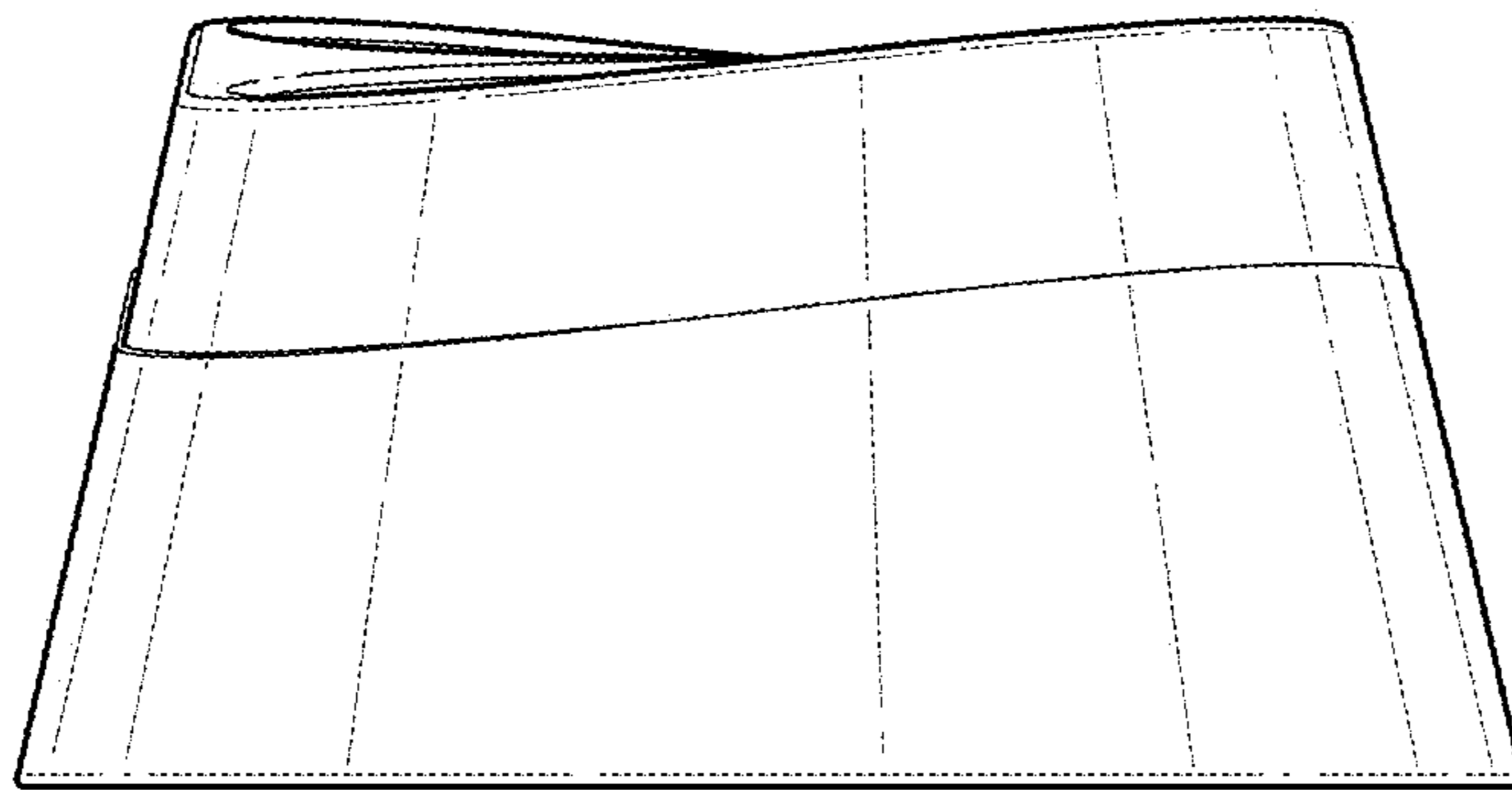
**FIG. 1**



**FIG. 2**



**FIG. 3**



**FIG. 4**

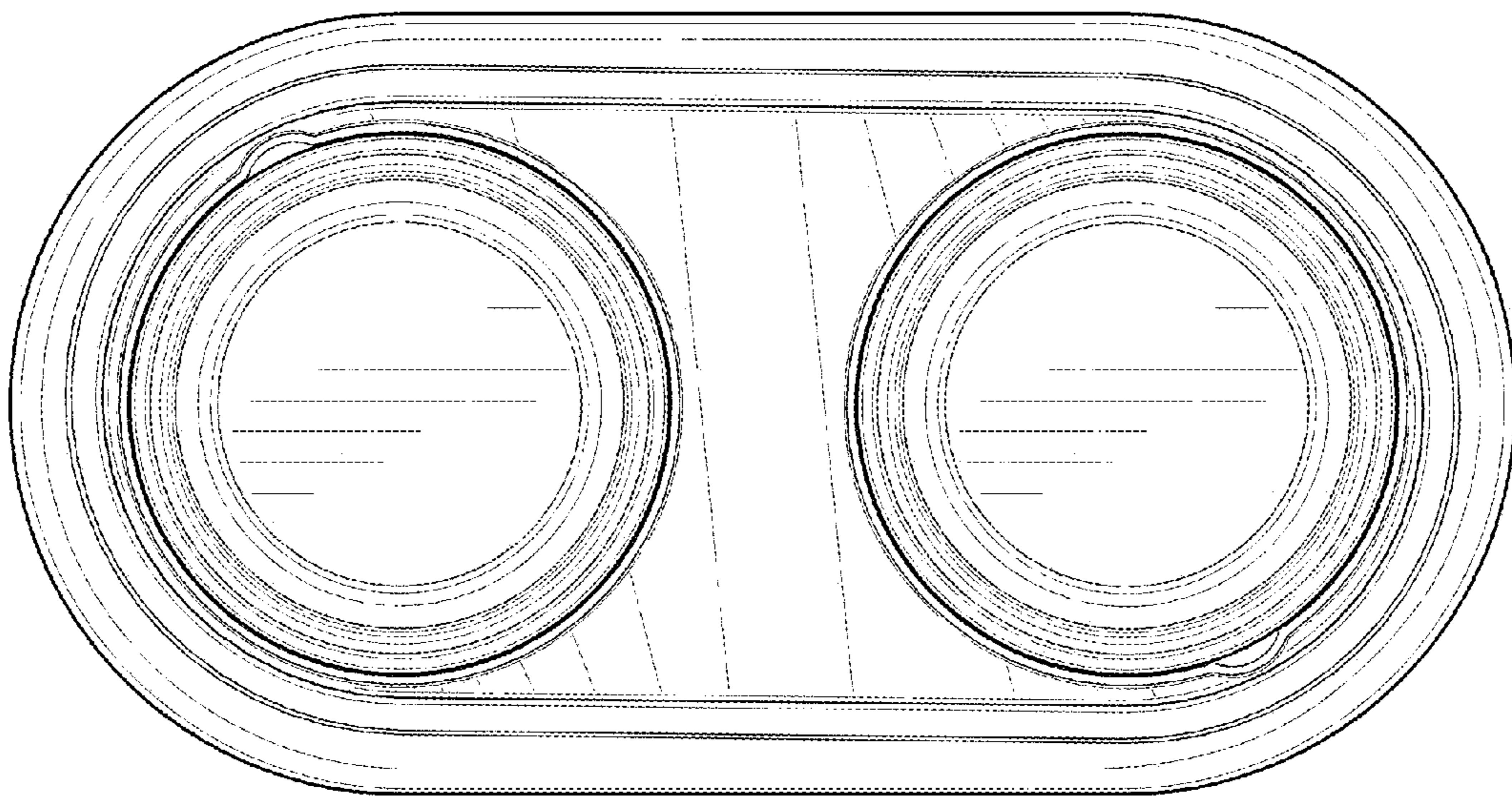


FIG. 5

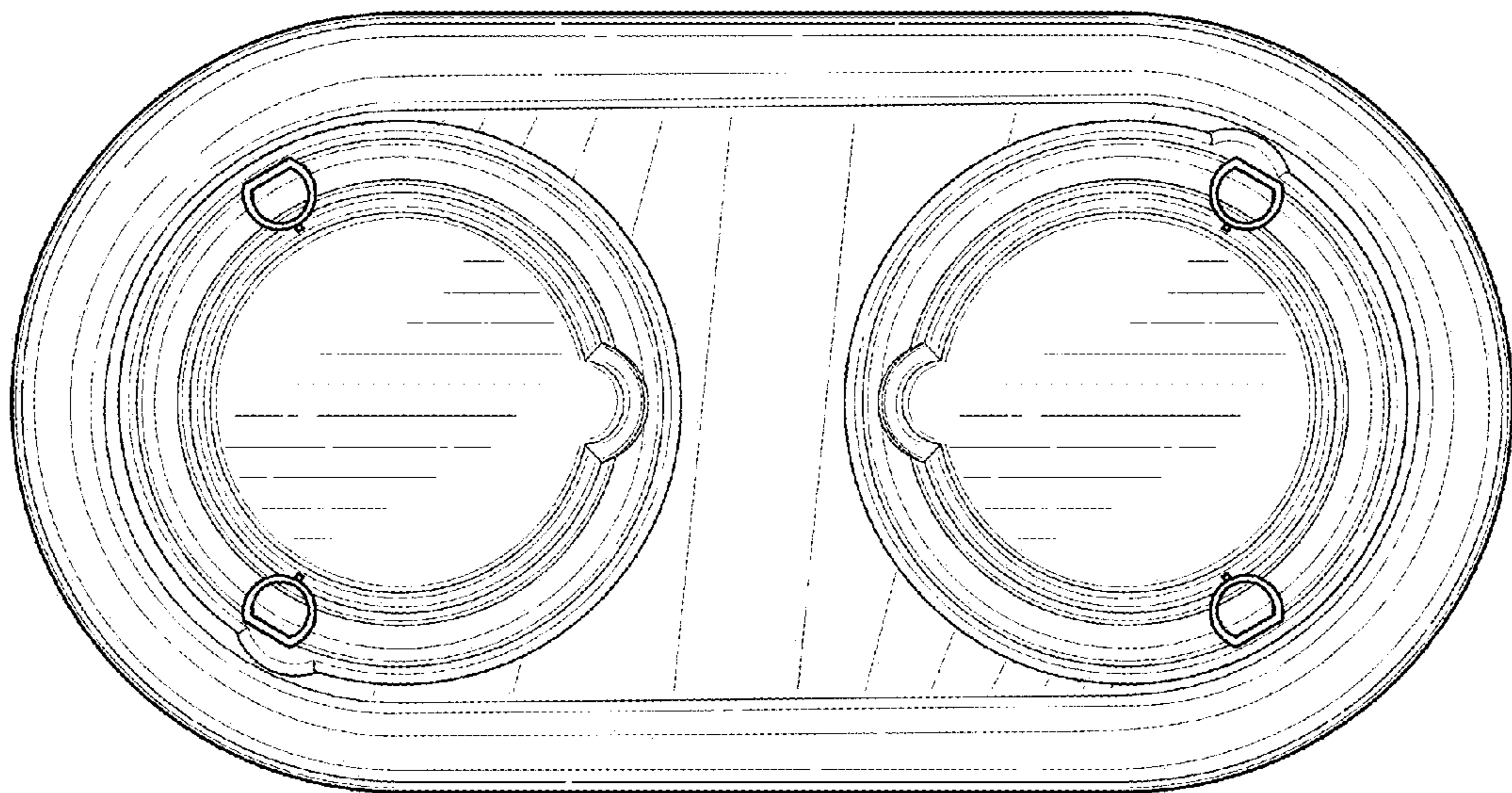


FIG. 6