

US00D758674S

(12) **United States Design Patent**  
**Youn**

(10) **Patent No.:** **US D758,674 S**  
(45) **Date of Patent:** **\*\* Jun. 7, 2016**

(54) **PET BOWL**

(71) Applicant: **Sung Eun Youn**, Chungcheongnam-do (KR)

(72) Inventor: **Sung Eun Youn**, Chungcheongnam-do (KR)

(\*\*) Term: **15 Years**

(21) Appl. No.: **29/528,236**

(22) Filed: **May 27, 2015**

(30) **Foreign Application Priority Data**

Jan. 14, 2015 (KR) ..... 30-2015-0001840

(51) **LOC (10) Cl.** ..... **30-03**

(52) **U.S. Cl.**  
USPC ..... **D30/129**

(58) **Field of Classification Search**

USPC ..... D30/121, 122, 129-133; 119/61.5, 119/51.01, 61.56, 51.03, 59, 62, 63, 51.5, 119/57.8, 74, 61.54, 61.55, 61; 312/204; 248/151, 188; 108/156, 153.1-157; 220/23.87, 630, 737, 743, 9.4, 495.01, 220/574, 212, 255, 23.83, 575; 206/515; D7/586, 543, 550.1, 587, 505, 584, D7/545, 500, 553.1-553.8, 546, 555, 556, D7/504, 565, 562, 602, 507, 549, 558, D7/552.2, 560, 566, 548, 681; D9/429; 43/109; D22/122; 99/430, DIG. 15  
CPC ..... A01K 5/01-5/0142; A01K 7/005  
See application file for complete search history.

(56) **References Cited**

**U.S. PATENT DOCUMENTS**

3,698,594 A \* 10/1972 Boehlert ..... A47G 19/03  
119/61.5  
D346,421 S \* 4/1994 Martin ..... D21/816  
D358,008 S \* 5/1995 Keller ..... D21/816  
D358,738 S \* 5/1995 Brown ..... D30/129  
D358,739 S \* 5/1995 Brown ..... D30/130  
D370,146 S \* 5/1996 Petronio ..... D30/129

D370,147 S \* 5/1996 Petronio ..... D30/129  
5,845,605 A \* 12/1998 Malamphy ..... A01K 45/002  
119/69.5  
D412,605 S \* 8/1999 Sharon ..... D30/129  
6,089,187 A \* 7/2000 Gaspary ..... A01K 5/0128  
119/51.01  
D439,707 S \* 3/2001 Hansen ..... D30/129  
D465,884 S \* 11/2002 Ross ..... D30/129  
D467,044 S \* 12/2002 Tangolics ..... D30/129  
D472,021 S \* 3/2003 Northrop ..... D30/129  
D504,196 S \* 4/2005 Huthmaker ..... D30/129  
D516,025 S \* 2/2006 Quinn ..... D13/108  
D554,432 S \* 11/2007 Roth ..... D7/510  
D564,844 S \* 3/2008 Schreiber-Pethan ..... D7/586  
D590,109 S \* 4/2009 Anderson ..... D30/129  
D607,616 S \* 1/2010 Newsome ..... D30/129  
D625,885 S \* 10/2010 Bianchi ..... D30/129  
D646,852 S \* 10/2011 Chance ..... D30/129

(Continued)

*Primary Examiner* — Susan Moon Lee

(74) *Attorney, Agent, or Firm* — Lathrop & Gage LLP; Brian C. Trinque

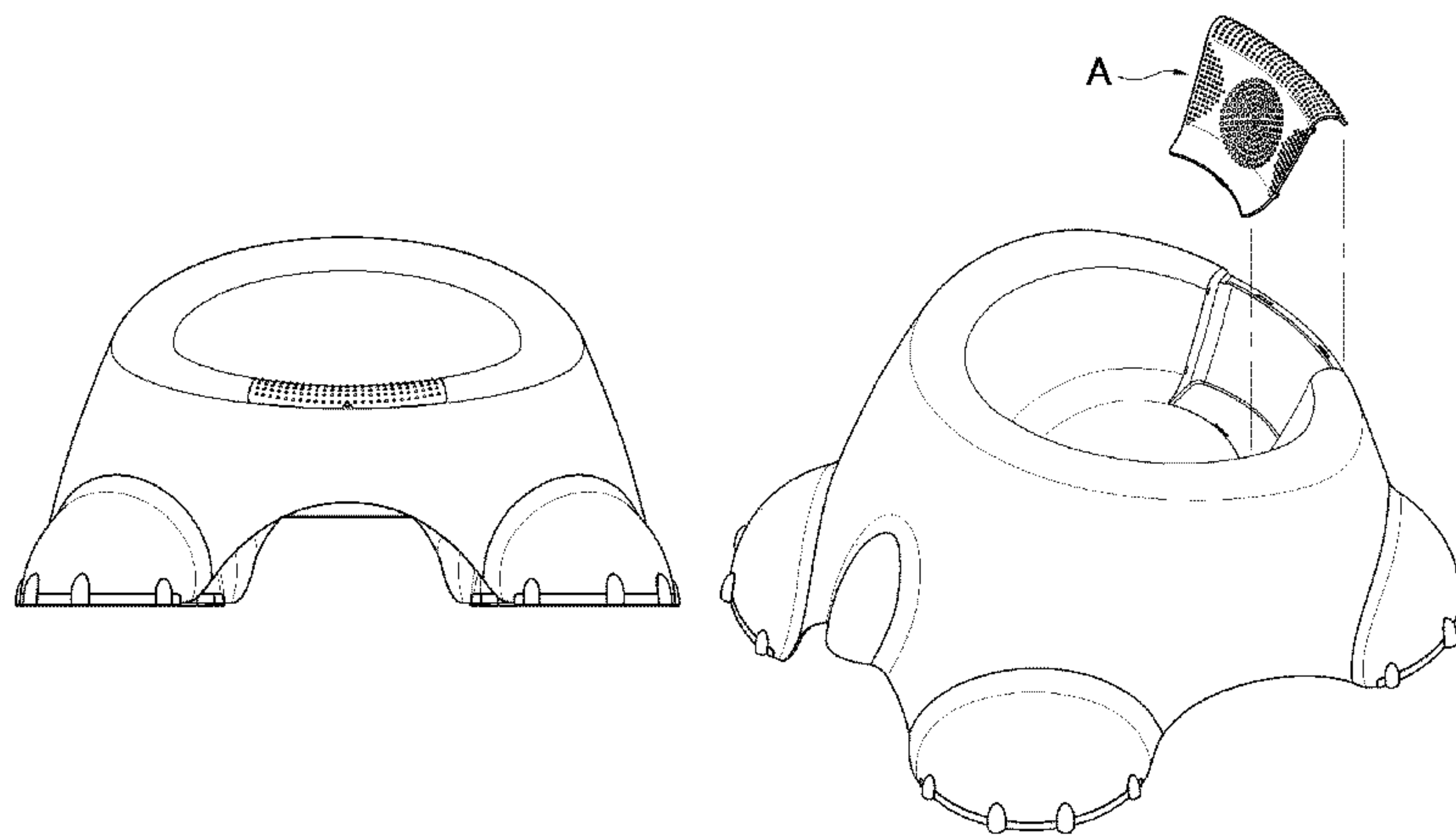
(57) **CLAIM**

The ornamental design for a pet bowl, as shown and described.

**DESCRIPTION**

FIG. 1 is a perspective view of a pet bowl in accordance with the present design;  
FIG. 2 is a front view thereof;  
FIG. 3 is a rear view thereof;  
FIG. 4 is a left side view thereof;  
FIG. 5 is a right side view thereof;  
FIG. 6 is a top view thereof;  
FIG. 7 is a bottom view thereof;  
FIG. 8 is an exploded perspective view thereof, wherein part A is detachable and any ingredients in the form of a teabag can be put inside part A; and,  
FIG. 9 is a magnified view of part A, which consists of two parts: part (a) (a number of protrusions for slip resistance) and part (b) (a number of holes through which infused water comes out).

**1 Claim, 9 Drawing Sheets**



(56)

**References Cited**

U.S. PATENT DOCUMENTS

D670,041 S *	10/2012	Chance .....	D30/129	D739,175 S *	9/2015	Renforth .....	D30/129
D677,128 S *	3/2013	Roesser .....	D7/625	D744,173 S *	11/2015	Jones .....	D30/129
D718,092 S *	11/2014	Lion .....	D7/555	D744,174 S *	11/2015	Jones .....	D30/121
D726,981 S *	4/2015	Yessin .....	D32/25	2002/0162511 A1*	11/2002	Hollinger .....	A01K 5/0114 119/61.54
D738,680 S *	9/2015	Renforth .....	D30/129	2005/0039689 A1*	2/2005	Mossmer .....	A01K 5/0128 119/61.5
D738,681 S *	9/2015	Renforth .....	D30/129	2010/0275852 A1*	11/2010	Lipscomb .....	A01K 5/0114 119/61.5

\* cited by examiner

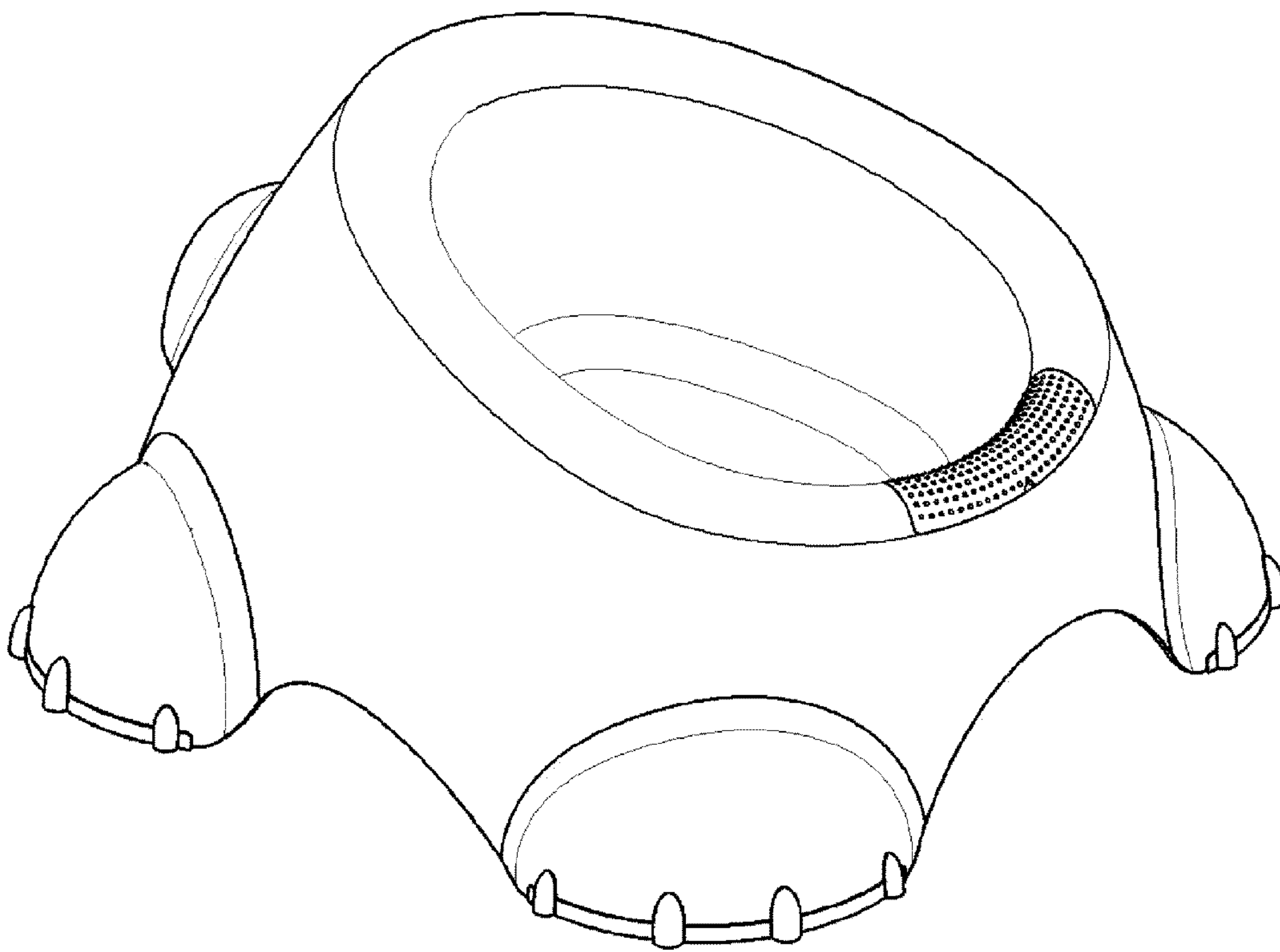


Fig. 1

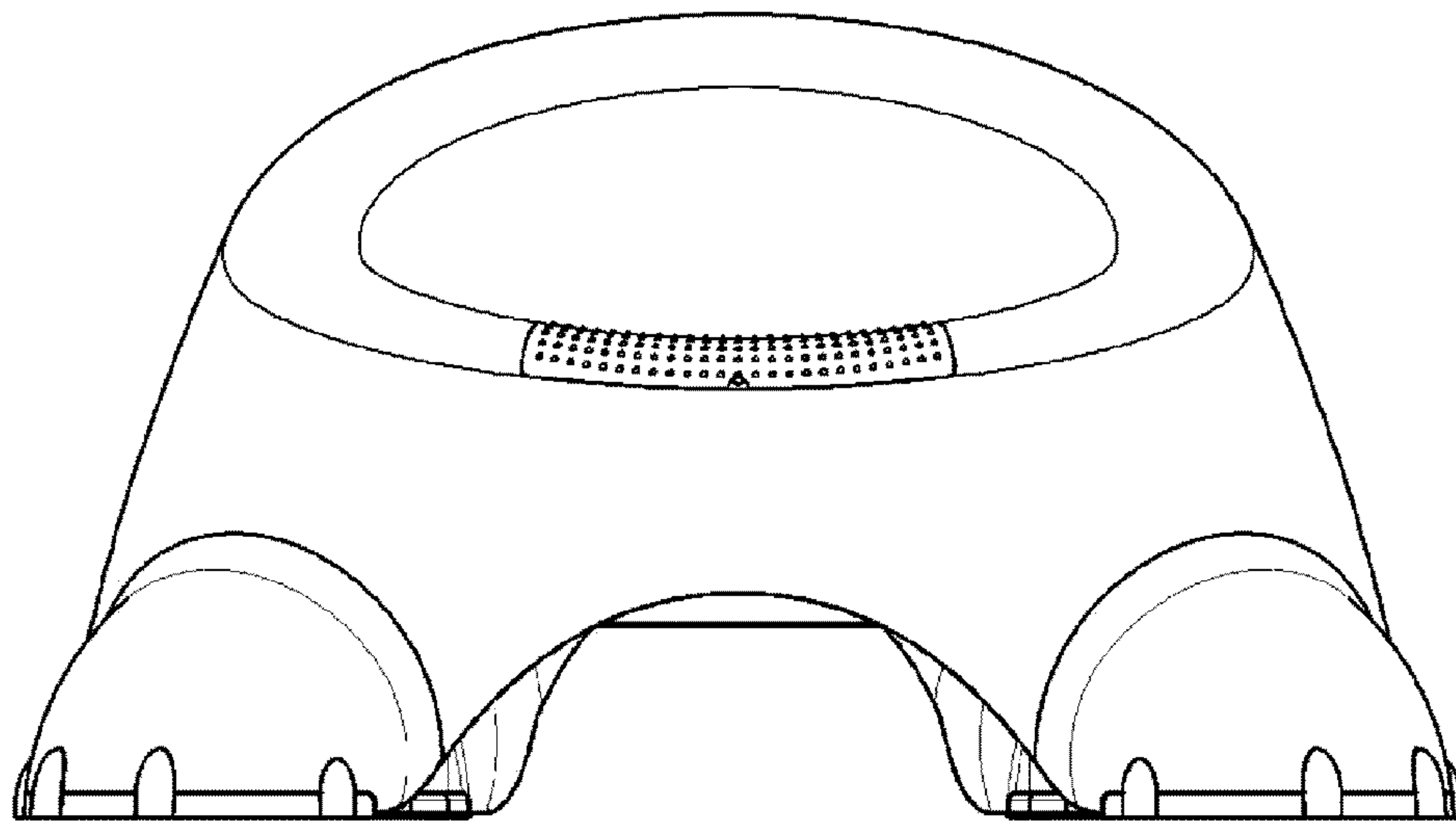


Fig. 2

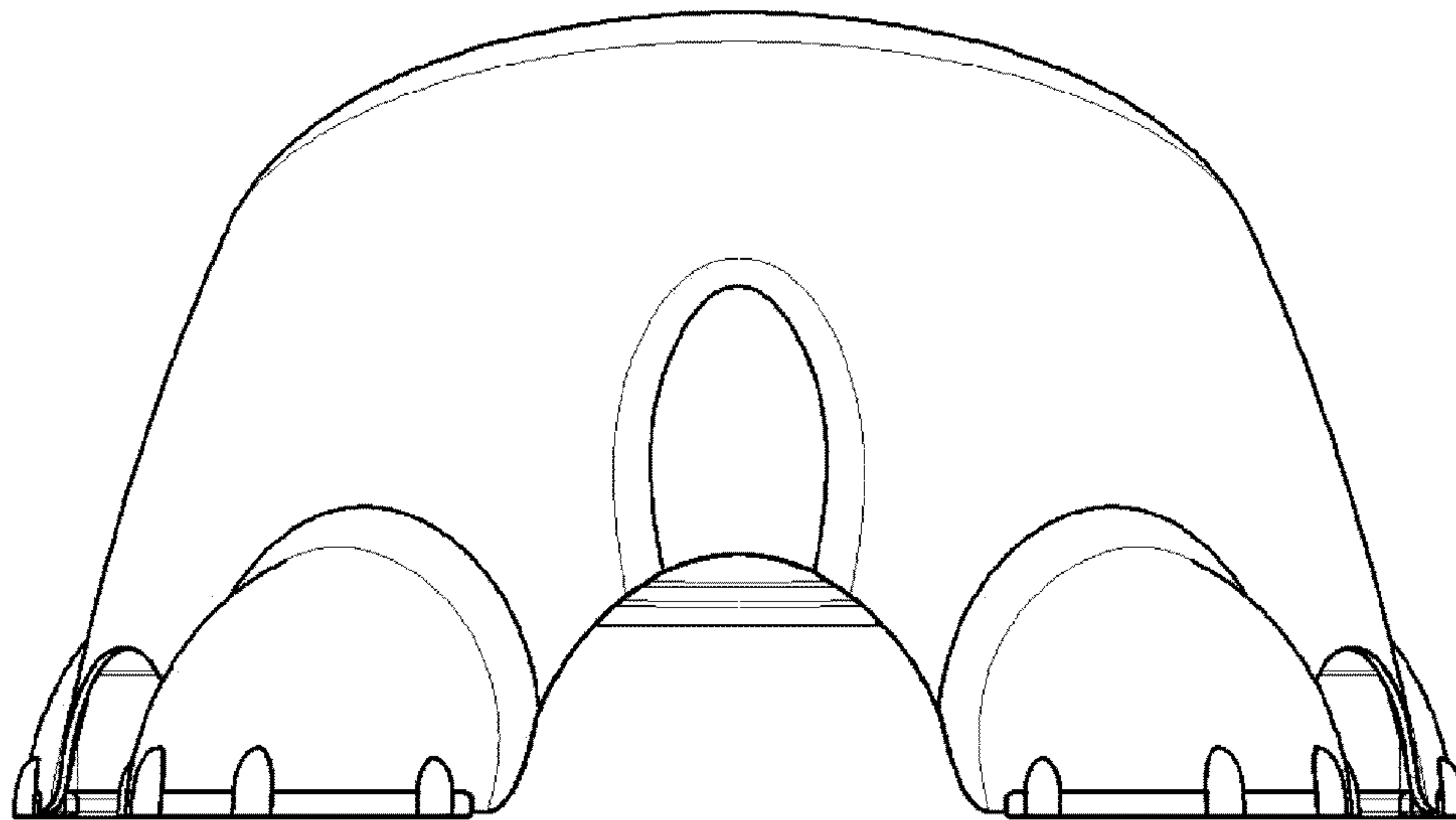


Fig. 3

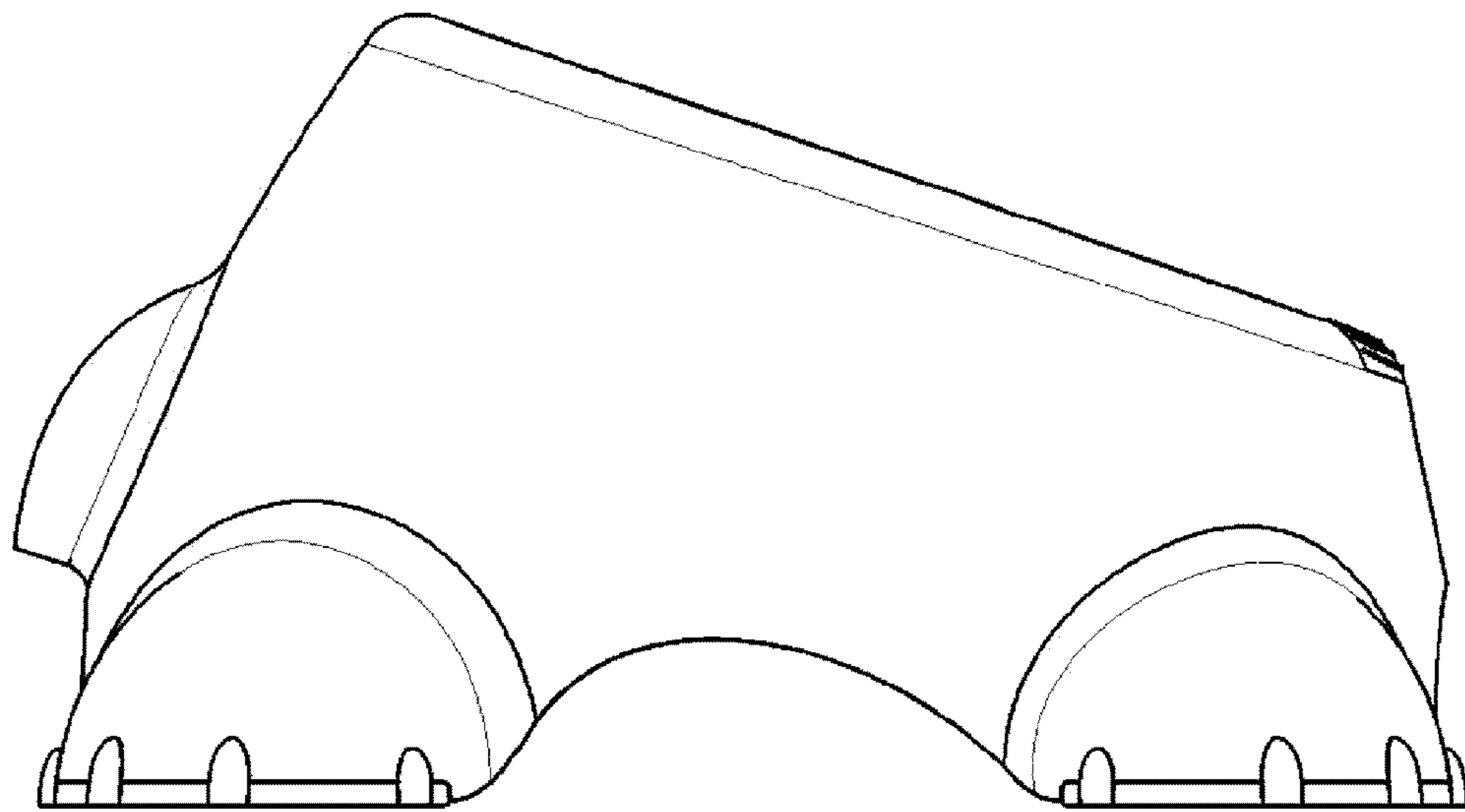


Fig. 4

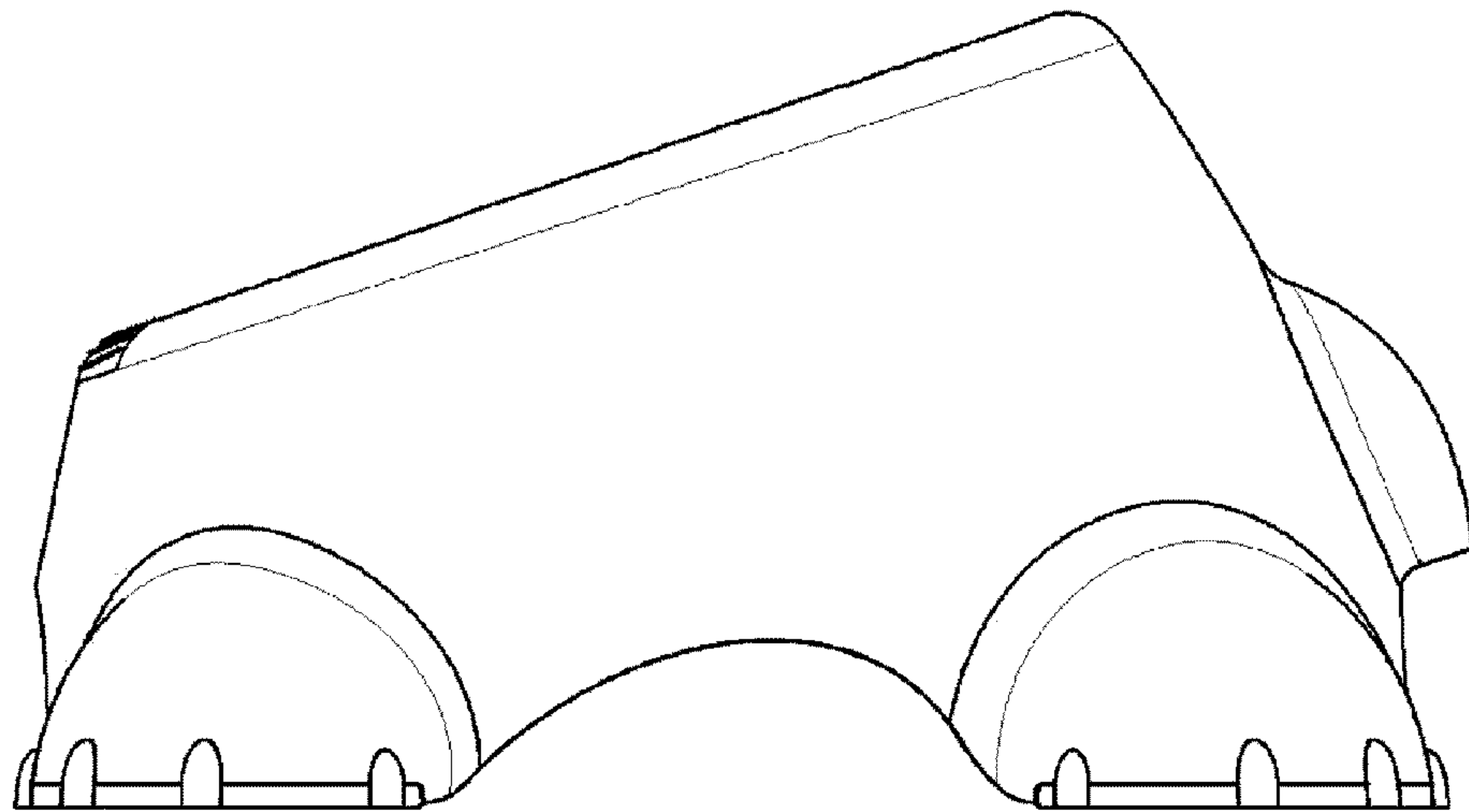


Fig. 5



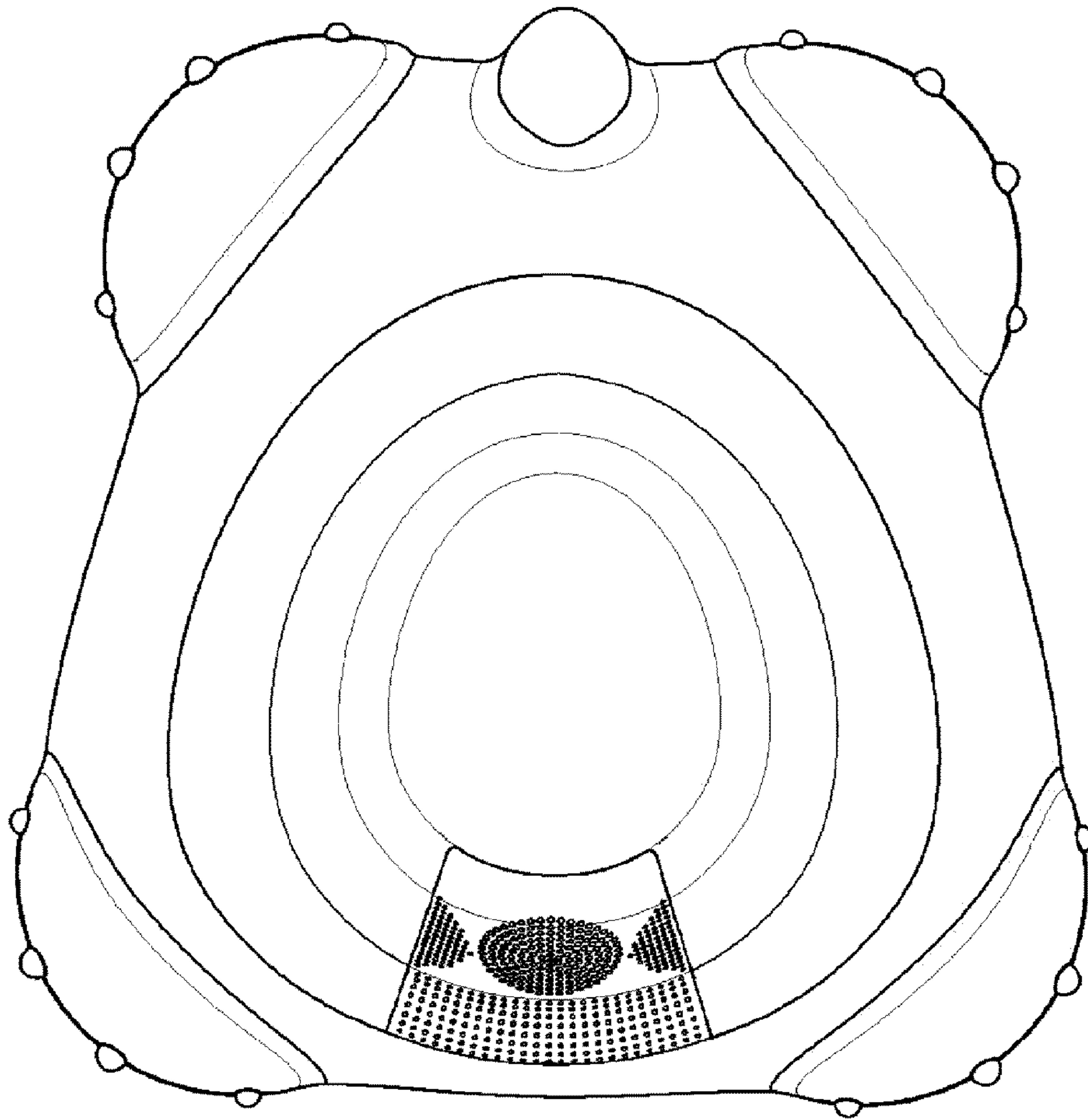


Fig. 6



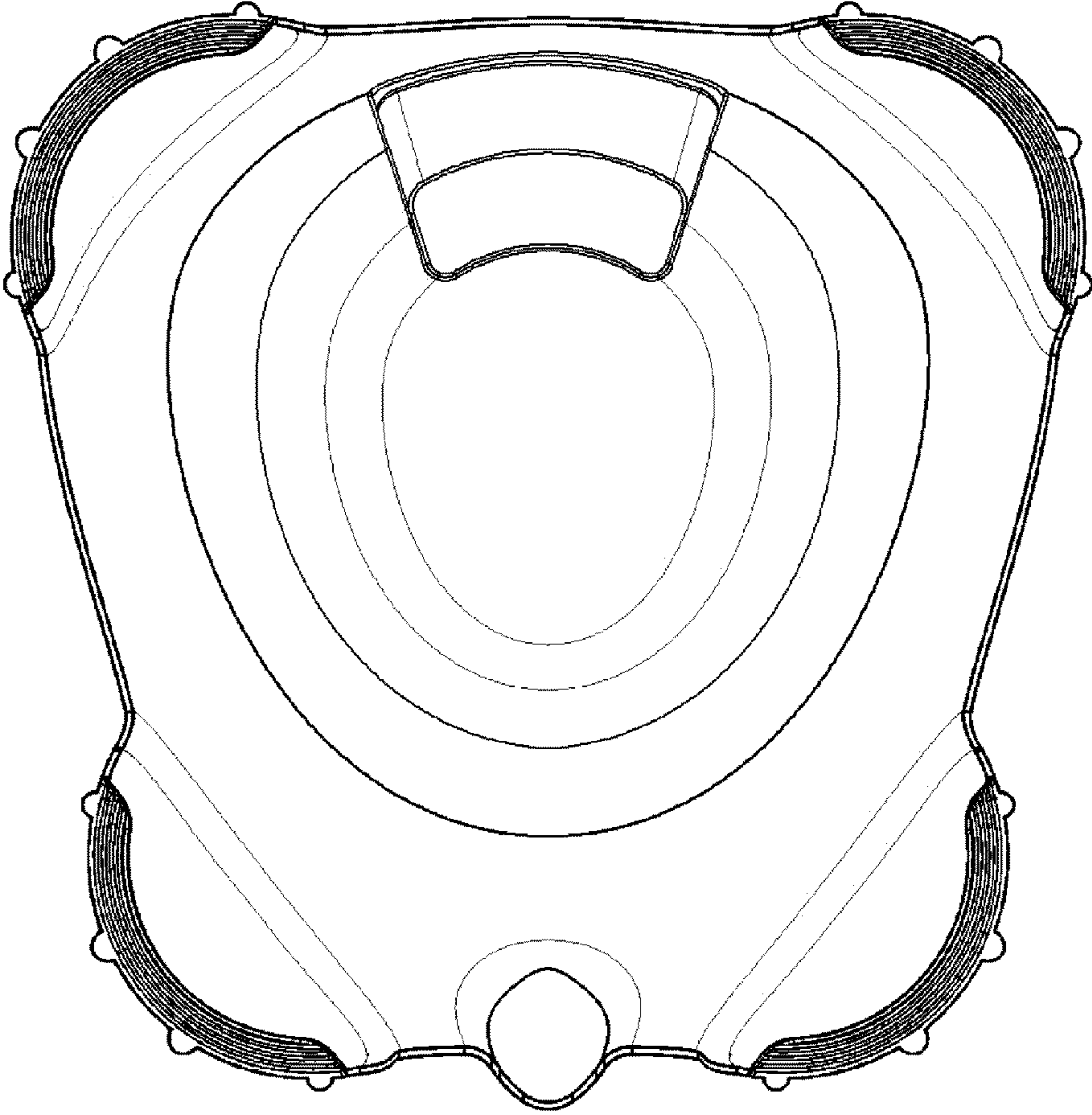


Fig. 7

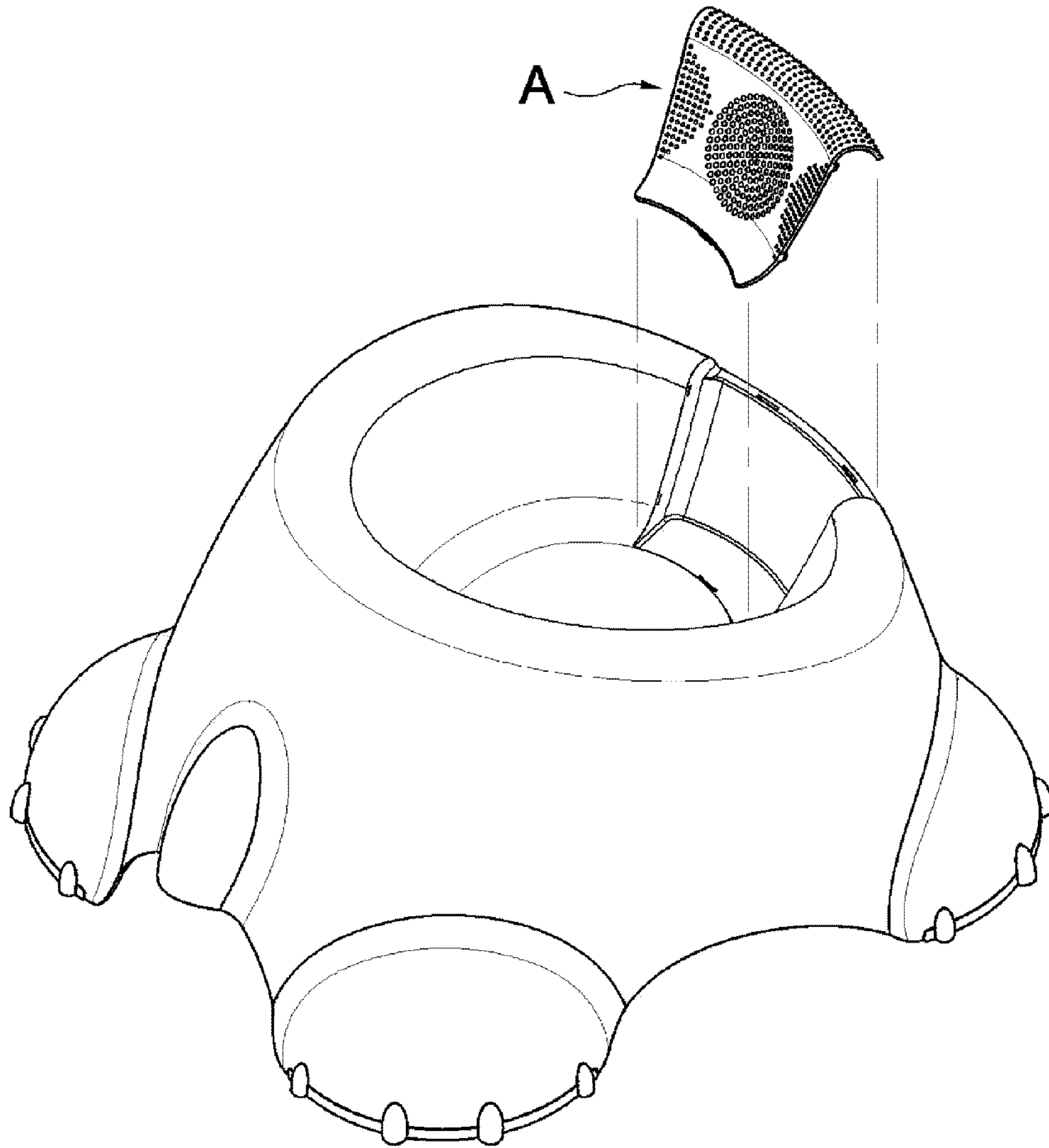


Fig. 8

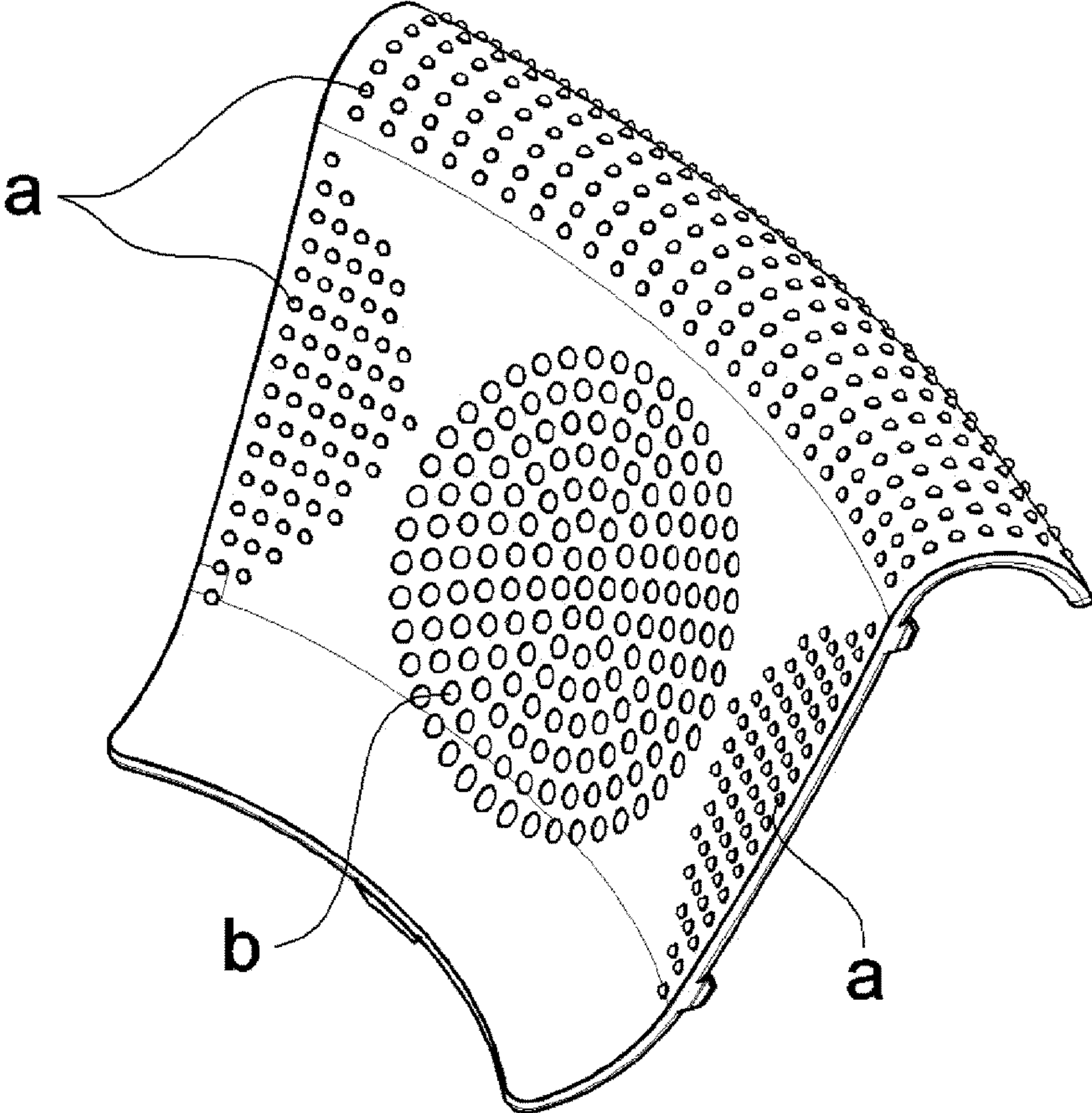


Fig. 9