



US00D758671S

(12) **United States Design Patent**  
**Carlin, Jr.**

(10) **Patent No.:** **US D758,671 S**  
(45) **Date of Patent:** **\*\* Jun. 7, 2016**

- (54) **INCUBATOR AND BROODER FOR CHICKS**
- (71) Applicant: **Thomas R. Carlin, Jr.**, Thomasville, NC (US)
- (72) Inventor: **Thomas R. Carlin, Jr.**, Thomasville, NC (US)
- (\*\*) Term: **14 Years**
- (21) Appl. No.: **29/512,515**
- (22) Filed: **Dec. 19, 2014**

- 3,584,605 A \* 6/1971 Schwartz ..... A01K 41/023  
119/319
- 3,958,534 A \* 5/1976 Perkins ..... A01K 1/03  
119/455
- D240,238 S \* 6/1976 Perkins et al. .... D30/117
- D250,355 S \* 11/1978 Marsh ..... D30/117
- 5,148,773 A \* 9/1992 Ontiveros ..... A01K 41/00  
119/319
- 5,398,642 A \* 3/1995 Harwich ..... A01K 67/033  
119/6.5
- D381,432 S \* 7/1997 Wenstrand ..... D24/217
- D655,870 S \* 3/2012 Carlin, Jr. .... D30/117

**OTHER PUBLICATIONS**

Two (2) page printout showing a “Chefmate Round Cake Carrier—Clear/Red (2pc)” undated.  
Two (2) photographs showing the top and bottom of the plastic base of the “Chefmate Round Cake Carrier—Clear/Red (2pc)” identified as Reference 2 above.

\* cited by examiner

*Primary Examiner* — Cathy Anne MacCormac  
(74) *Attorney, Agent, or Firm* — Blake P. Hurt; Tuggle Duggins P.A.

**Related U.S. Application Data**

- (63) Continuation of application No. 29/454,141, filed on May 7, 2013, now Pat. No. Des. 722,209.
- (51) **LOC (10) Cl.** ..... **30-02**
- (52) **U.S. Cl.**  
USPC ..... **D30/117**
- (58) **Field of Classification Search**  
USPC ..... D30/108, 110–112, 114, 116–117, 119, D30/199; 119/6.5, 6.8, 174, 246, 269, 119/300–311, 319, 416–419, 421, 428–429, 119/430–435, 452, 459, 467, 474, 48, 487, 119/494–495, 498–499, 500–503, 516; 47/66.6, 69; 237/14–15; D11/145  
CPC ..... A01K 1/03; A01K 1/033; A01K 1/031; A01K 1/035; A01K 1/0245; A01K 1/0356; A01K 31/18; A01K 63/003; A01K 41/00; A01K 41/023; A01K 67/033  
See application file for complete search history.

(57) **CLAIM**  
The ornamental design for an incubator and brooder for chicks, as shown and described.

**DESCRIPTION**

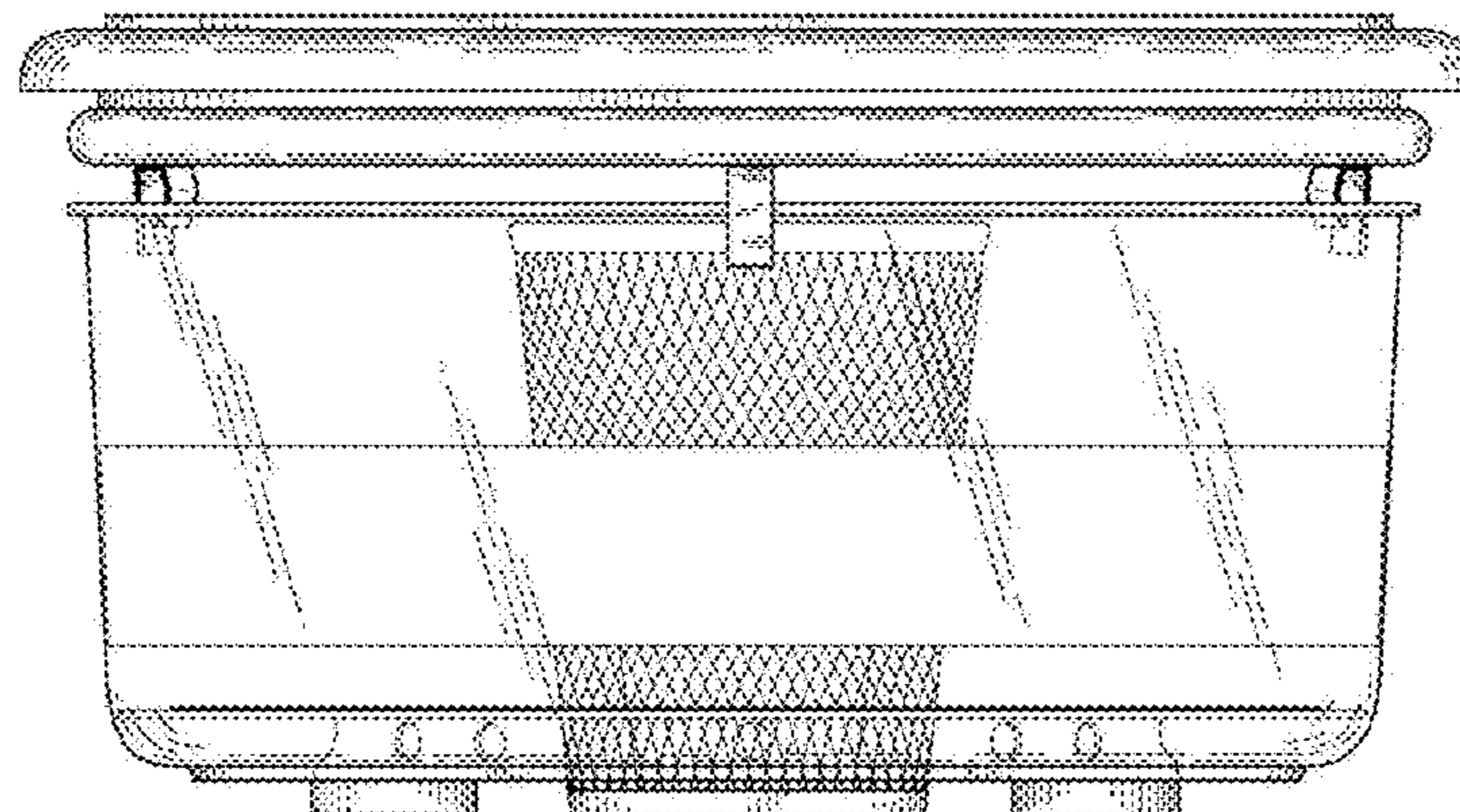
FIG. 1 is a front elevational view of an incubator and brooder for chicks showing my new design;  
FIG. 2 is a rear elevational view thereof, a portion of an interior panel is shown broken away to reveal the central part of the incubator;  
FIG. 3 is a left side view thereof, the right side being a mirror image of the left side shown;  
FIG. 4 is a top plan view thereof, the cover and floor are shown broken away to reveal the interior of the incubator and mesh underneath the floor;  
FIG. 5 is a bottom plan view thereof; and,  
FIG. 6 is an exploded bottom, front perspective view thereof.

**1 Claim, 5 Drawing Sheets**

(56) **References Cited**

**U.S. PATENT DOCUMENTS**

- 1,214,780 A \* 2/1917 Harp ..... A01K 1/033  
119/498
- 1,460,349 A \* 6/1923 Oakes ..... A01K 41/00  
119/319
- D206,524 S \* 12/1966 Artig ..... D30/117
- D209,837 S \* 1/1968 Artig ..... D30/117
- 3,543,726 A \* 12/1970 Marsh ..... A01K 41/00  
119/319



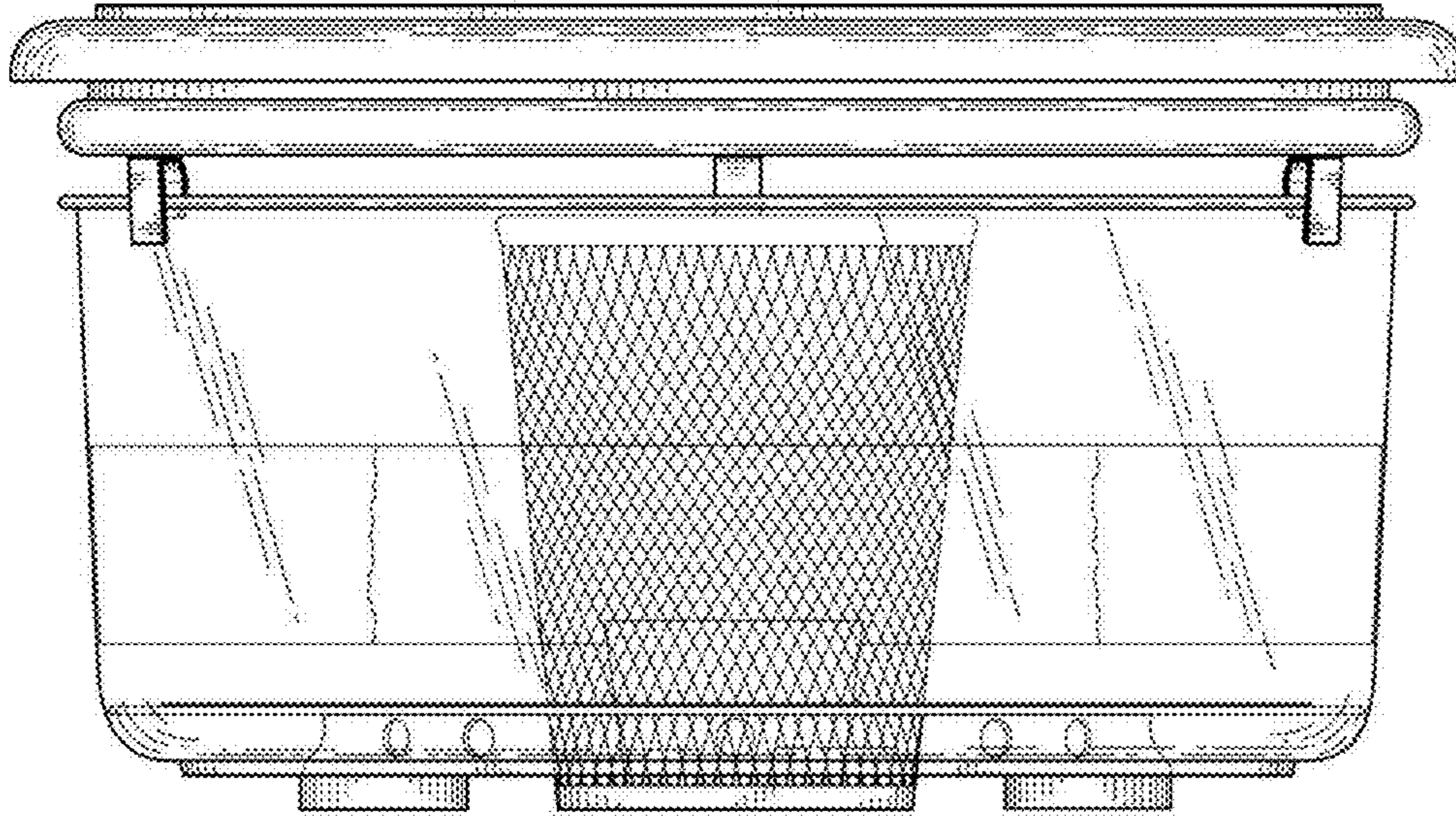


Fig. 2

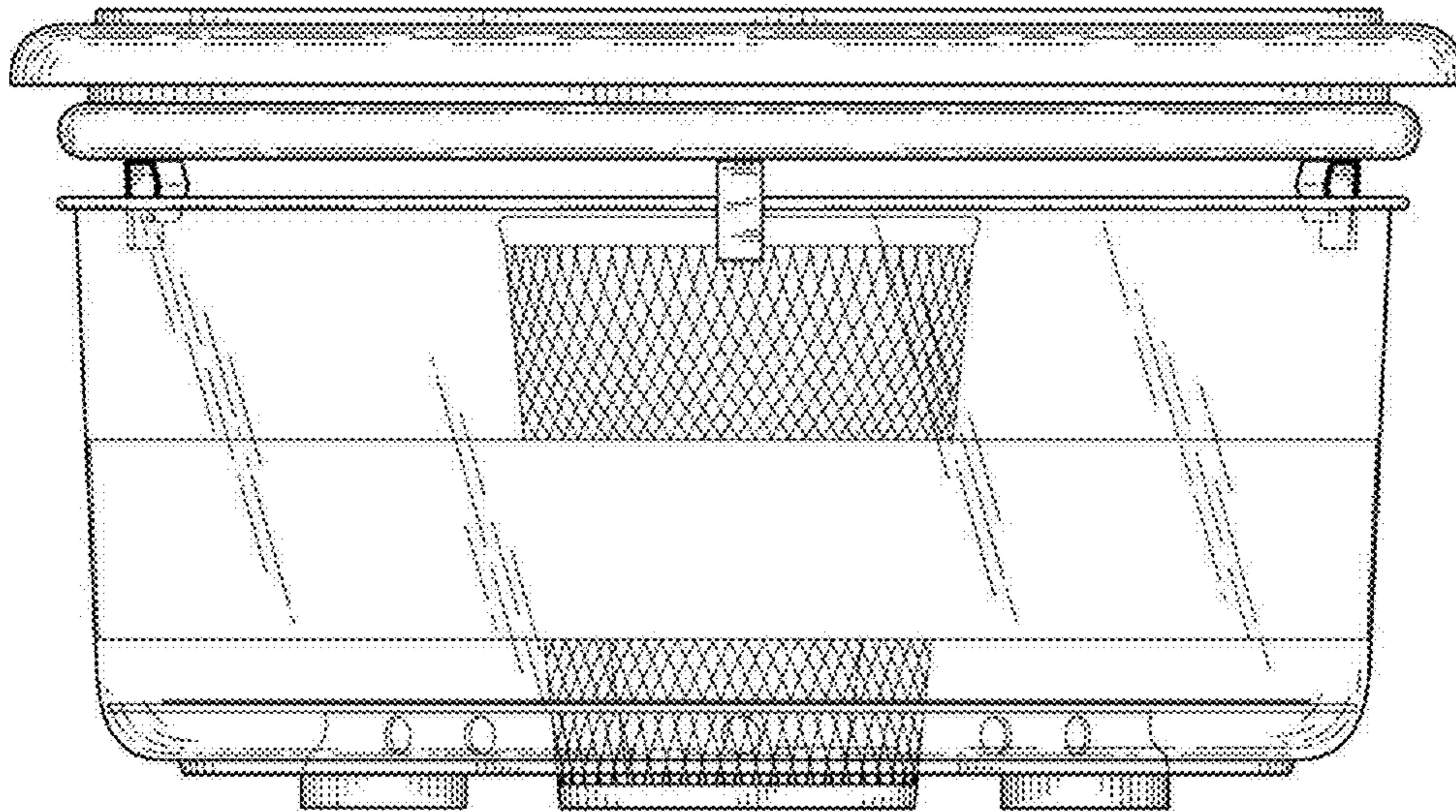


Fig. 1

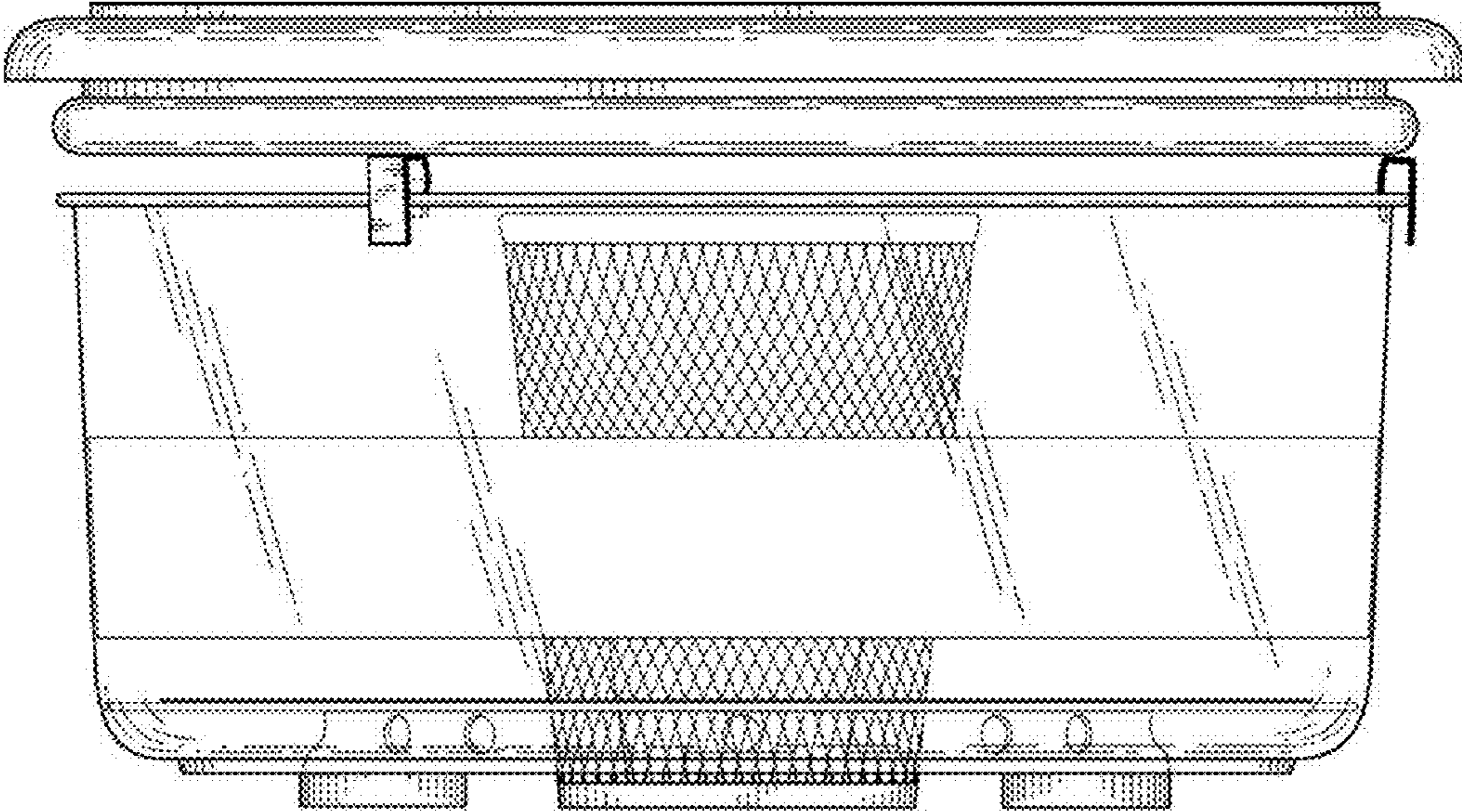


Fig. 3

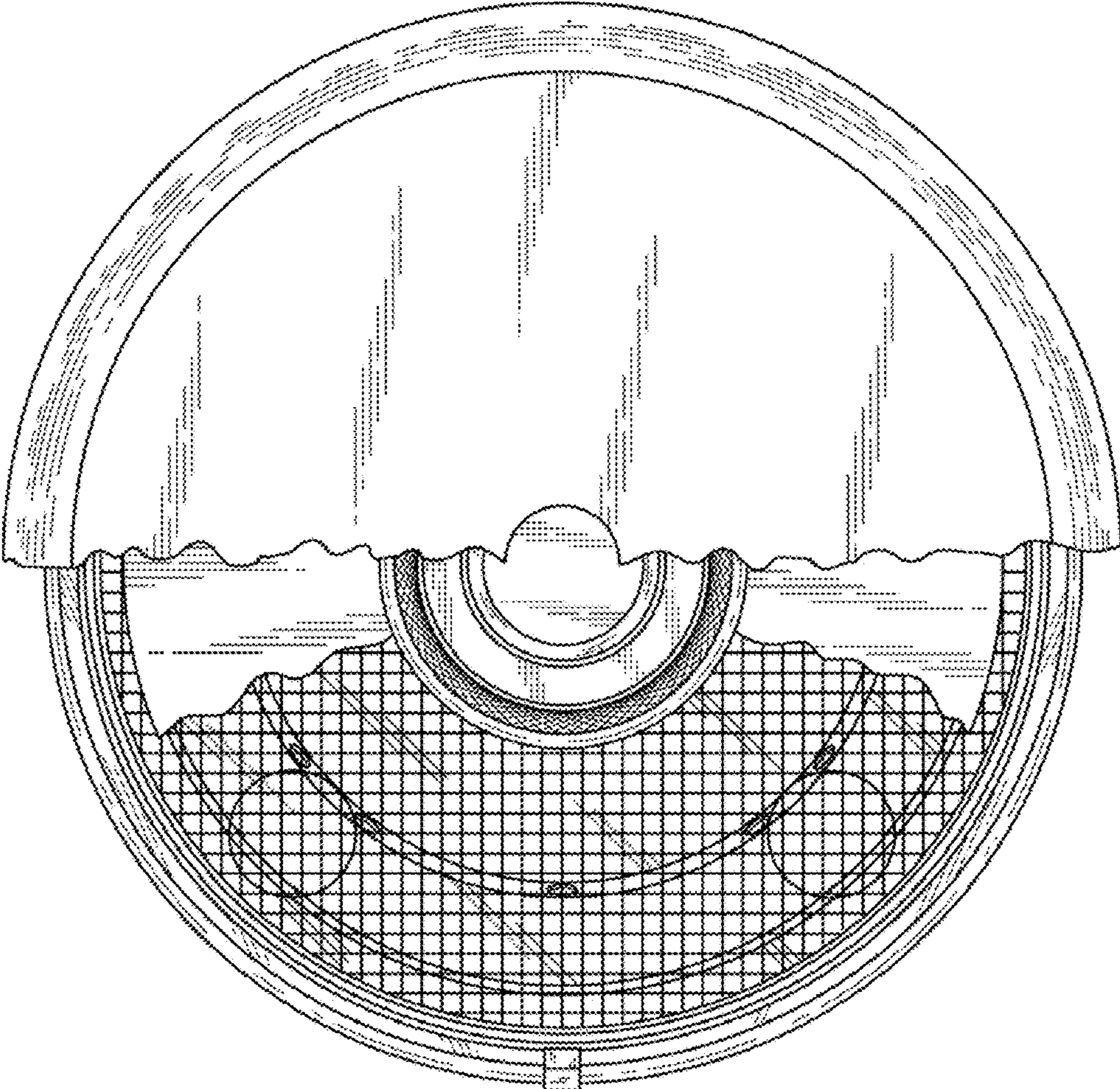


Fig. 4

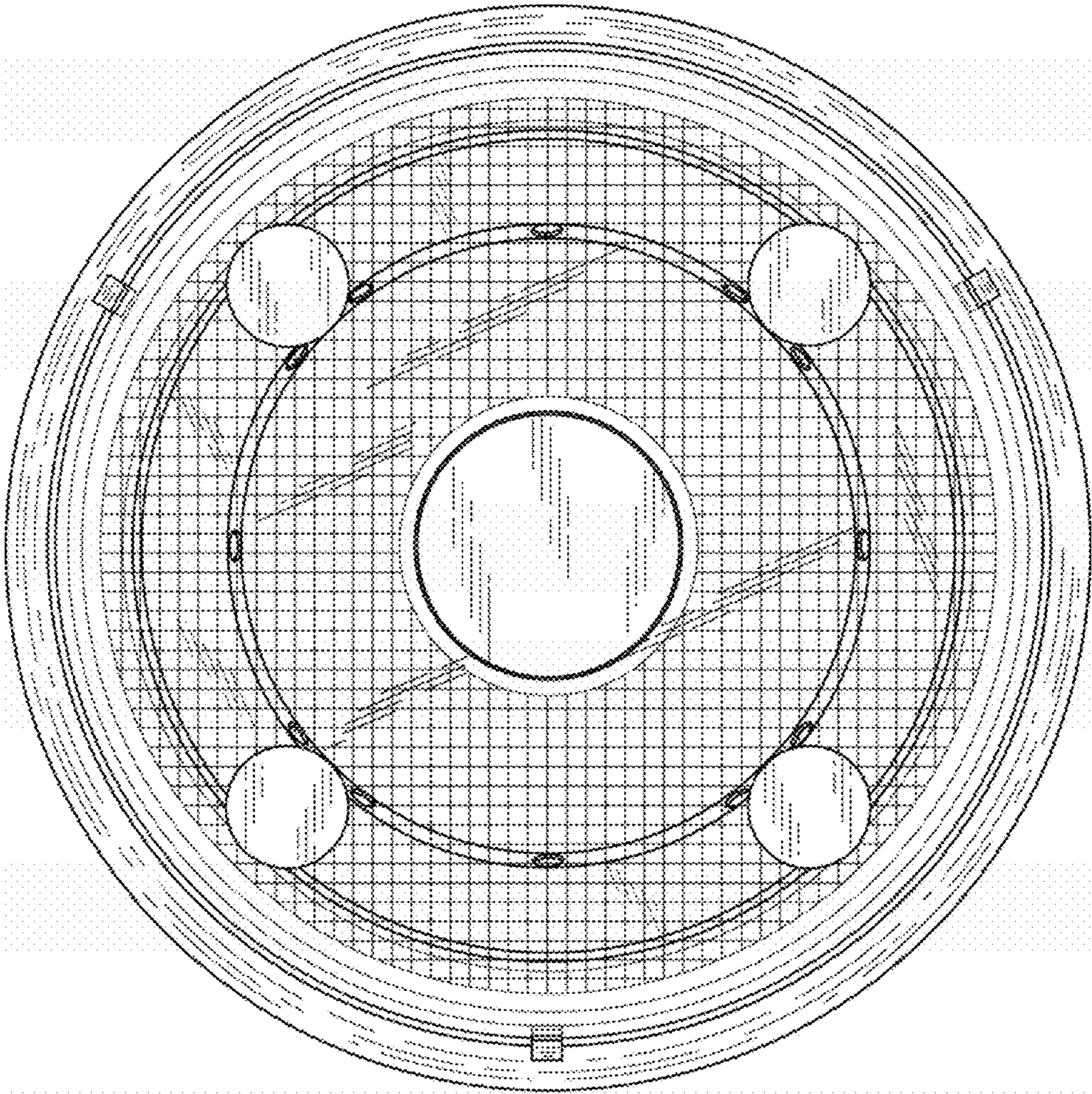


Fig. 5

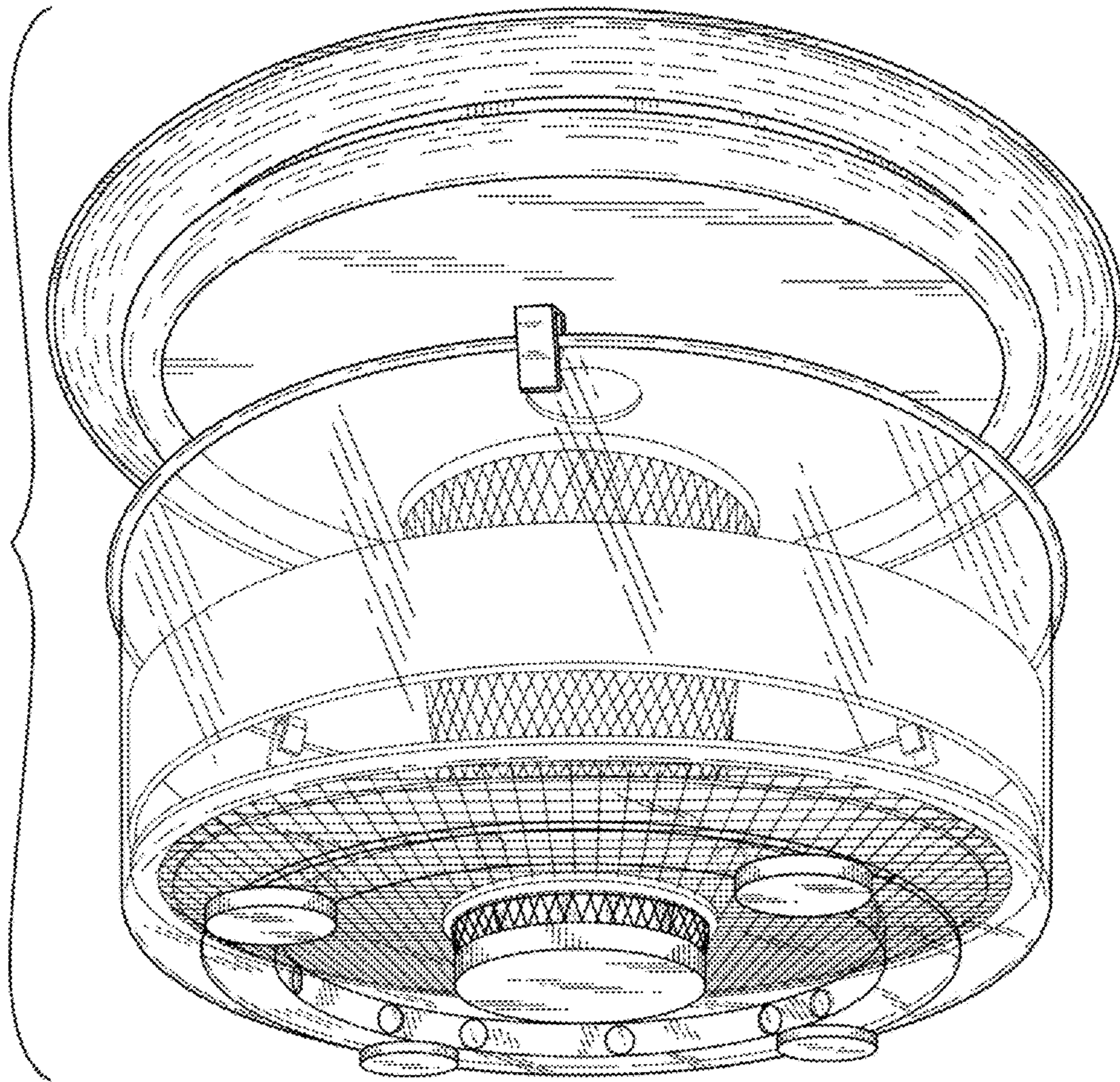


Fig. 6