



US00D758668S

(12) **United States Design Patent**
Bonnin

(10) **Patent No.:** **US D758,668 S**
(45) **Date of Patent:** **** Jun. 7, 2016**

(54) **COSMETIC APPLICATOR**
(71) Applicant: **Albea Services**, Gennevilliers (FR)
(72) Inventor: **Thomas Bonnin**, Pronleroy (FR)
(73) Assignee: **Albea Services**, Gennevilliers (FR)
(**) Term: **14 Years**

6,637,964	B1	*	10/2003	Kuo	401/55
D491,811	S	*	6/2004	Kostow	D9/504
D515,431	S	*	2/2006	Dehaene	D9/558
D539,482	S	*	3/2007	Koch	D28/90
D539,985	S	*	4/2007	Koch	D28/90
D541,990	S	*	5/2007	Hsu	D28/89
D583,998	S	*	12/2008	Tani	D28/88
D725,490	S	*	3/2015	Grosso et al.	D9/726
2005/0183984	A1	*	8/2005	Shih	206/581
2009/0245917	A1	*	10/2009	Rosengard	401/34
2015/0055997	A1	*	2/2015	Holloway	401/31

(21) Appl. No.: **29/493,396**

(22) Filed: **Jun. 9, 2014**

(30) **Foreign Application Priority Data**

Dec. 9, 2013 (EM) 002365726-0001

(51) **LOC (10) Cl.** **28-03**

(52) **U.S. Cl.**
USPC **D28/89**; D28/7

(58) **Field of Classification Search**
USPC D28/4, 7, 76, 77, 85, 86, 87, 88, 89, 90;
D9/724, 725, 727, 730, 504, 545, 737,
D9/738, 516, 522, 529, 549, 551, 553, 555,
D9/559, 560, 564, 566
CPC A45D 33/00; A45D 33/14; A45D 34/06;
A45D 40/00; A45D 2040/0012; A45D
2040/0018; A45D 2040/0025; A45D 40/0068;
A45D 40/02; A45D 40/20; A45D 40/06
See application file for complete search history.

(56) **References Cited**

U.S. PATENT DOCUMENTS

2,264,482	A	*	12/1941	Ridner, Sr. et al.	401/11
D278,750	S	*	5/1985	Pisani et al.	D28/4
4,738,559	A	*	4/1988	Gueret	401/74
6,004,054	A	*	12/1999	Wei-Pin	401/78
6,050,540	A	*	4/2000	O'Reilly	249/95
D425,257	S	*	5/2000	Acker et al.	D28/85
D429,845	S	*	8/2000	Lang	D28/7

OTHER PUBLICATIONS

WellPromo.com. "Wholesale—3¾ Gram Euro Balm Lip Balm Colored Stick W/ Sports Top". Reviewed on Oct. 24, 2012. Accessed on Aug. 13, 2015. (<http://www.wellpromo.com/Wholesale/Lip-Balm/3-3-4-Gram-Euro-Balm-Lip-Balm-Colored-Stick-W-Sports-top-136836.htm>).*

* cited by examiner

Primary Examiner — Jennifer Rivard

Assistant Examiner — April Rivas

(74) *Attorney, Agent, or Firm* — Wolf, Greenfield & Sacks, P.C.

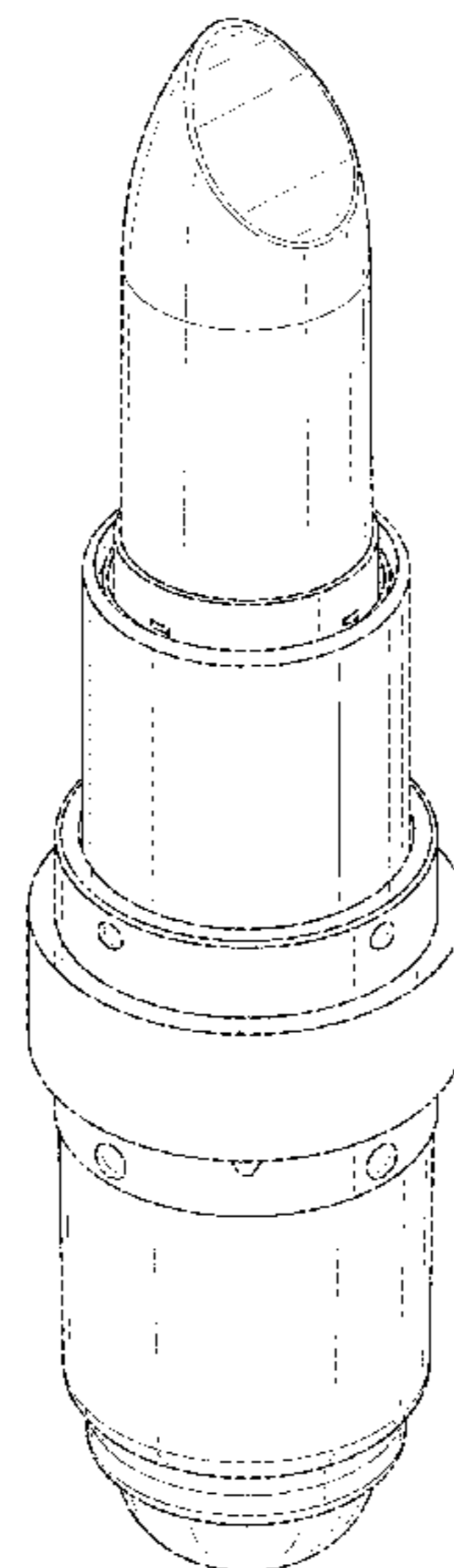
(57) **CLAIM**

The ornamental design for a cosmetic applicator, as shown and described.

DESCRIPTION

FIG. 1 is a front bottom right perspective view of the cosmetic applicator;
FIG. 2 is a front view of the cosmetic applicator shown in FIG. 1;
FIG. 3 is a right side view of the cosmetic applicator shown in FIG. 1; and,
FIG. 4 is a rear top right perspective view of the cosmetic applicator shown in FIG. 1.

1 Claim, 4 Drawing Sheets



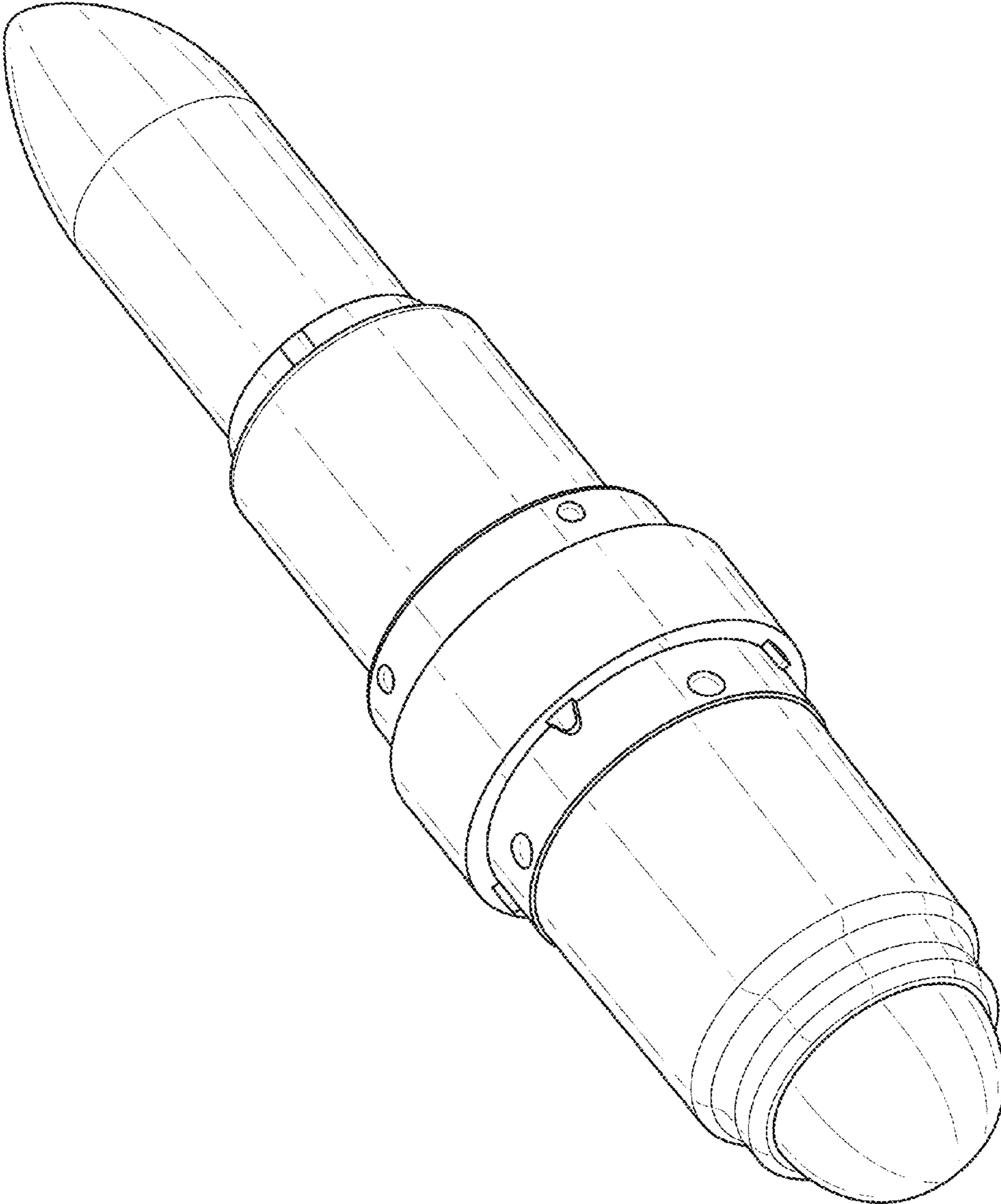


FIG. 1

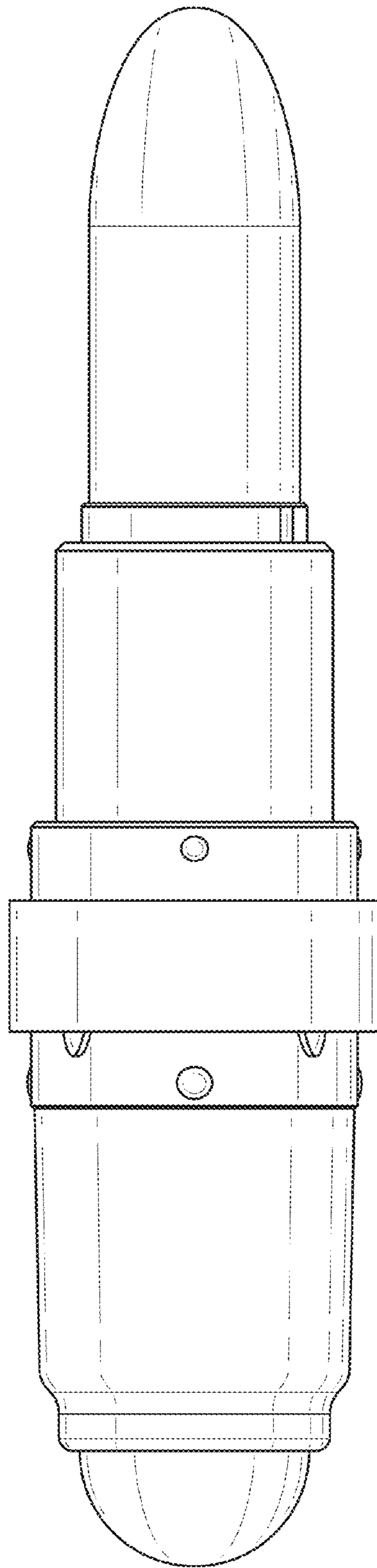


FIG. 2

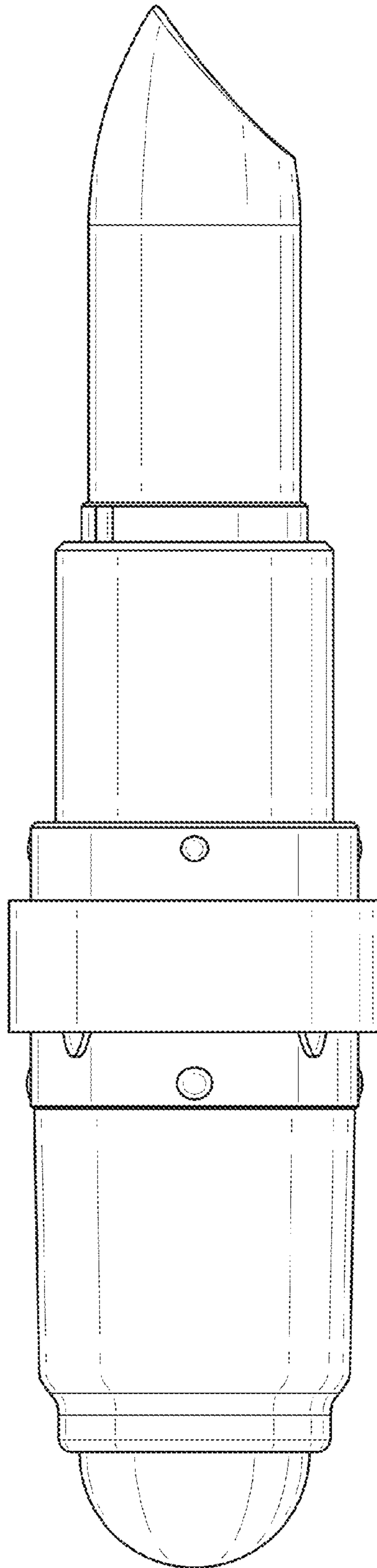


FIG. 3

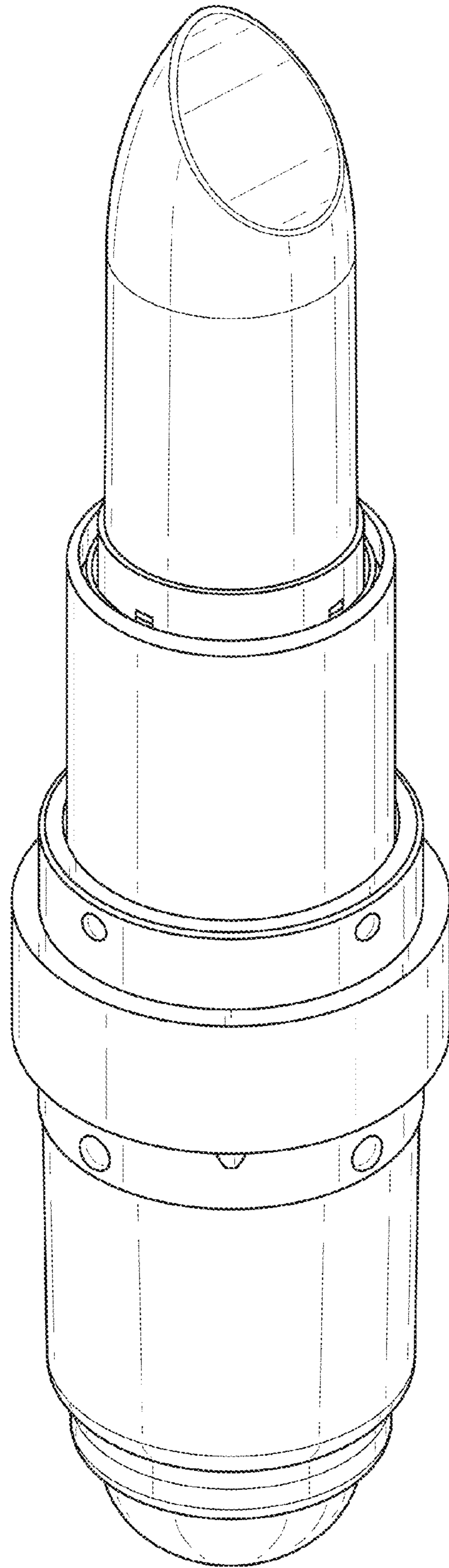


FIG. 4