



US00D758665S

(12) **United States Design Patent**
Skuhra

(10) **Patent No.:** **US D758,665 S**
(45) **Date of Patent:** **** Jun. 7, 2016**

- (54) **HAIR CLIPPER HOUSING**
- (71) Applicant: **ANDIS COMPANY**, Sturtevant, WI (US)
- (72) Inventor: **Andrew A. Skuhra**, Racine, WI (US)
- (73) Assignee: **ANDIS COMPANY**, Sturtevant, WI (US)
- (**) Term: **14 Years**
- (21) Appl. No.: **29/516,070**
- (22) Filed: **Jan. 29, 2015**
- (51) **LOC (10) Cl.** **28-03**
- (52) **U.S. Cl.**
USPC **D28/54**
- (58) **Field of Classification Search**
USPC D28/44.1, 49-54
CPC B26B 19/00; B26B 19/02-19/107;
B26B 19/12; B26B 19/14-19/18; B26B 19/20-19/22; B26B 19/26-19/36; B26B 19/38-19/48
See application file for complete search history.

D673,731 S *	1/2013	Skuhra	D28/53
D675,782 S *	2/2013	Buck, Jr.	D28/54
D679,448 S *	4/2013	Erickson	D28/54
D683,901 S *	6/2013	Skuhra	D28/54
D715,489 S *	10/2014	Aulwes	D28/54
D715,490 S *	10/2014	Aulwes	D28/54
D722,202 S *	2/2015	Erickson	D28/54
D722,203 S *	2/2015	Erickson	D28/54
D726,371 S *	4/2015	Erickson	D28/54
2003/0051346 A1 *	3/2003	McCambridge	B26B 19/06 30/122

* cited by examiner

Primary Examiner — Jennifer Rivard

(74) *Attorney, Agent, or Firm* — Michael Best & Friedrich LLP

(57) **CLAIM**

I claim the ornamental design for hair clipper housing, as shown and described.

DESCRIPTION

FIG. 1 is a top perspective view of hair clipper housing according to an embodiment showing the new design;
 FIG. 2 is a top view thereof;
 FIG. 3 is a bottom view thereof;
 FIG. 4 is a first side elevation view thereof;
 FIG. 5 is a second side elevation view thereof;
 FIG. 6 is a first end elevation view thereof; and,
 FIG. 7 is a second end elevation view thereof.

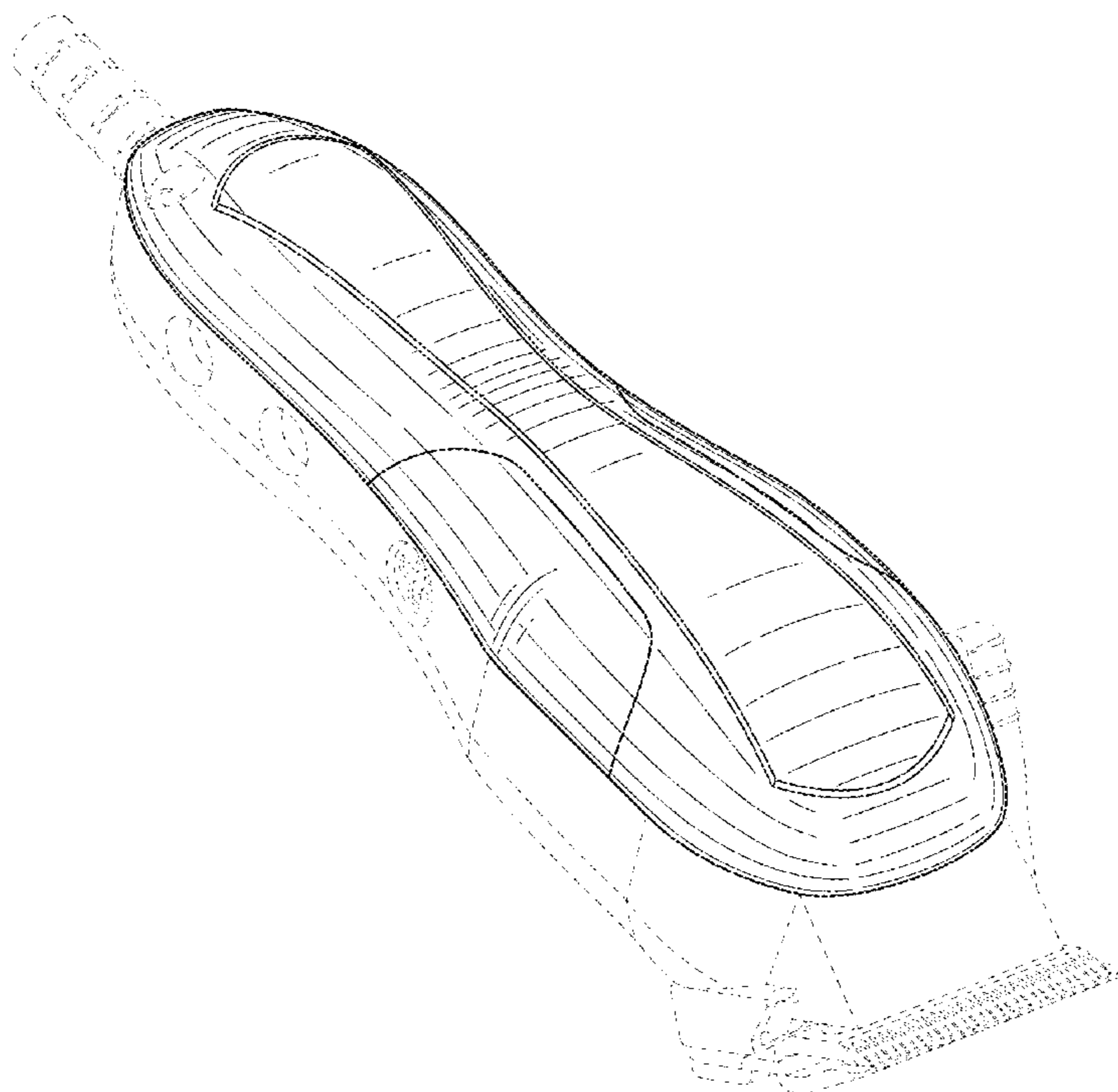
The broken lines shown in the drawings illustrate the environment of the hair clipper housing and form no part of the claimed design.

1 Claim, 5 Drawing Sheets

(56) **References Cited**

U.S. PATENT DOCUMENTS

D435,936 S *	1/2001	Long	D28/54
D500,392 S *	12/2004	Buck, Jr.	D28/54
D571,504 S *	6/2008	Long	D28/54
D577,865 S *	9/2008	Long	D28/54
D597,253 S *	7/2009	Eddinger	D28/54
D597,254 S *	7/2009	Eddinger	D28/54



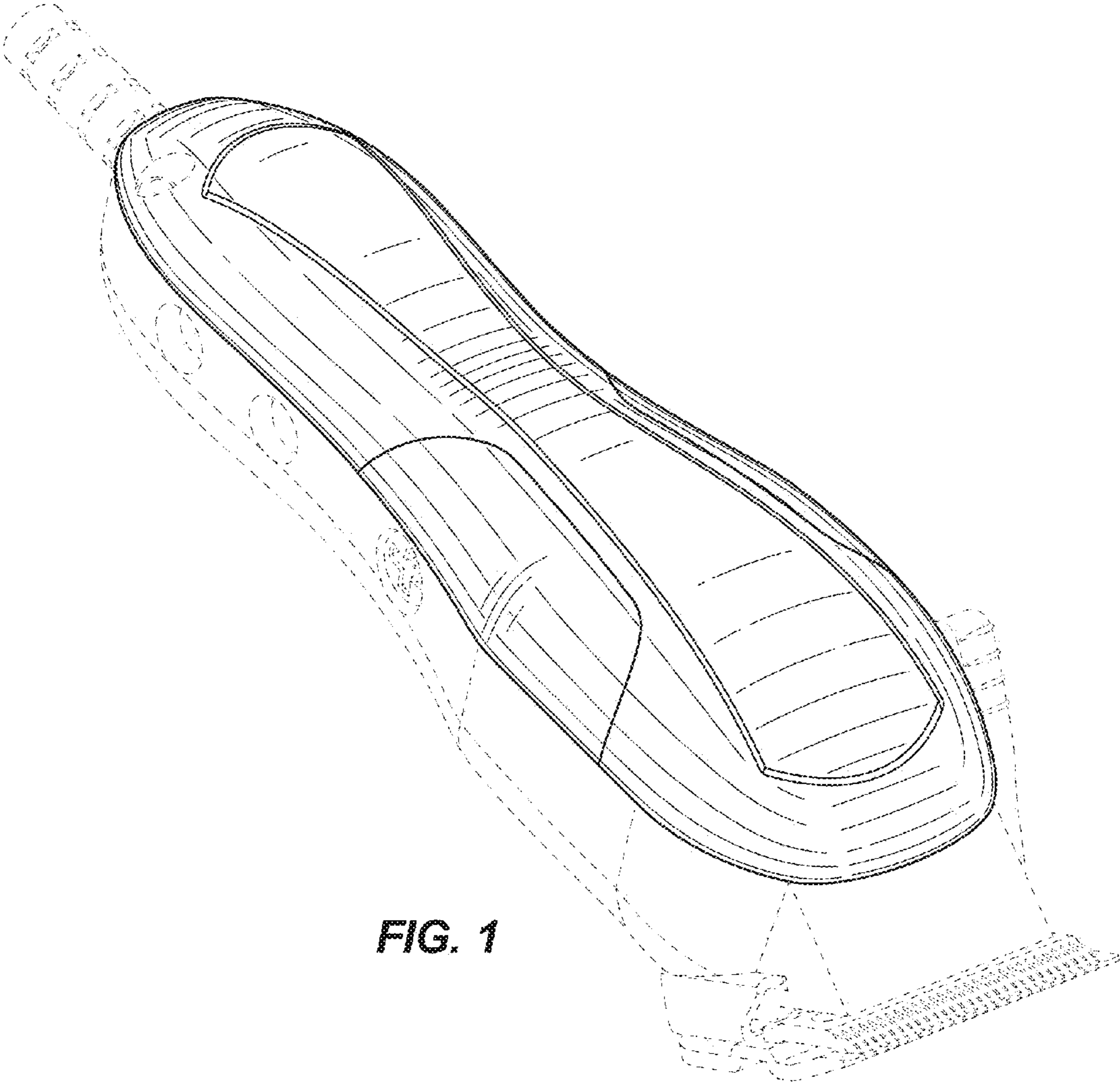


FIG. 1

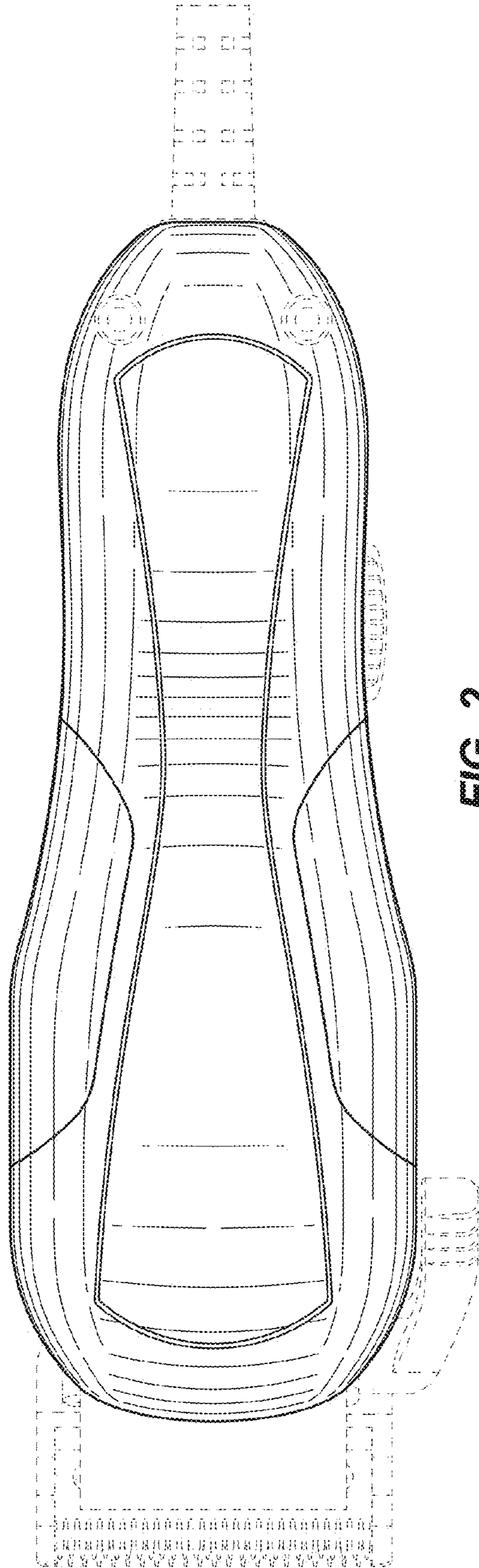


FIG. 2

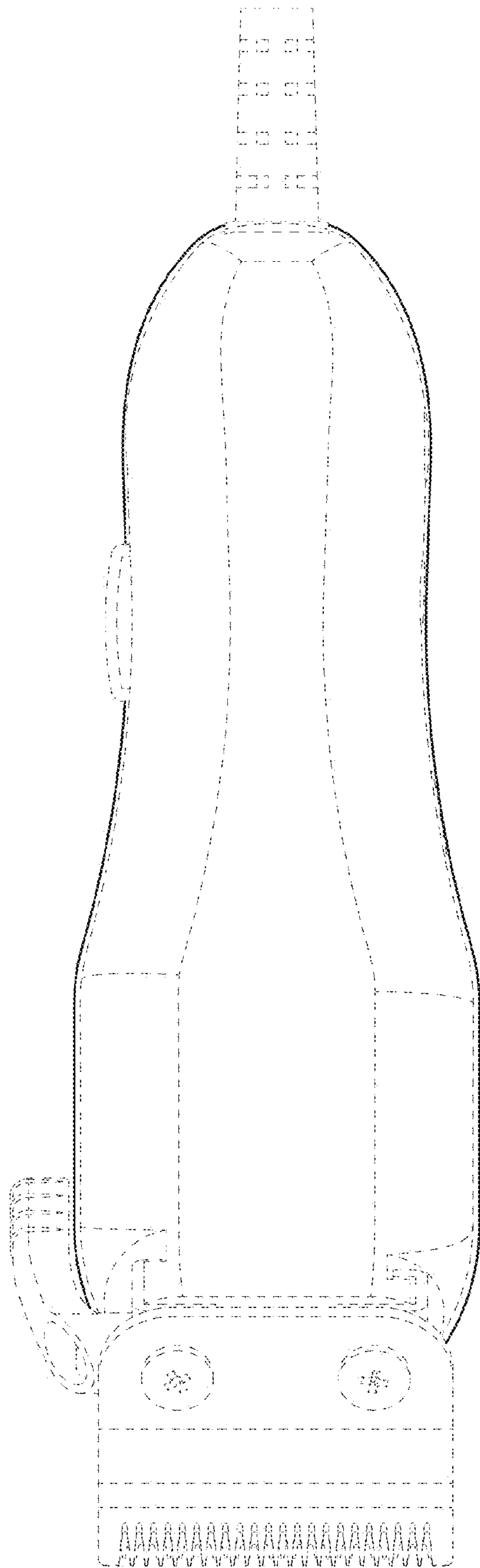


FIG. 3

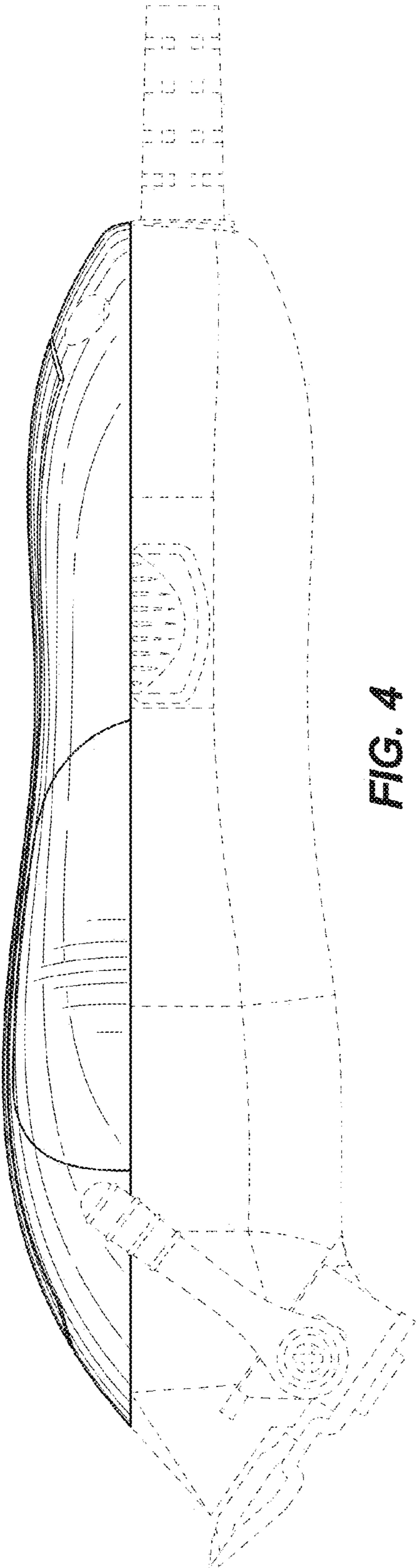


FIG. 4

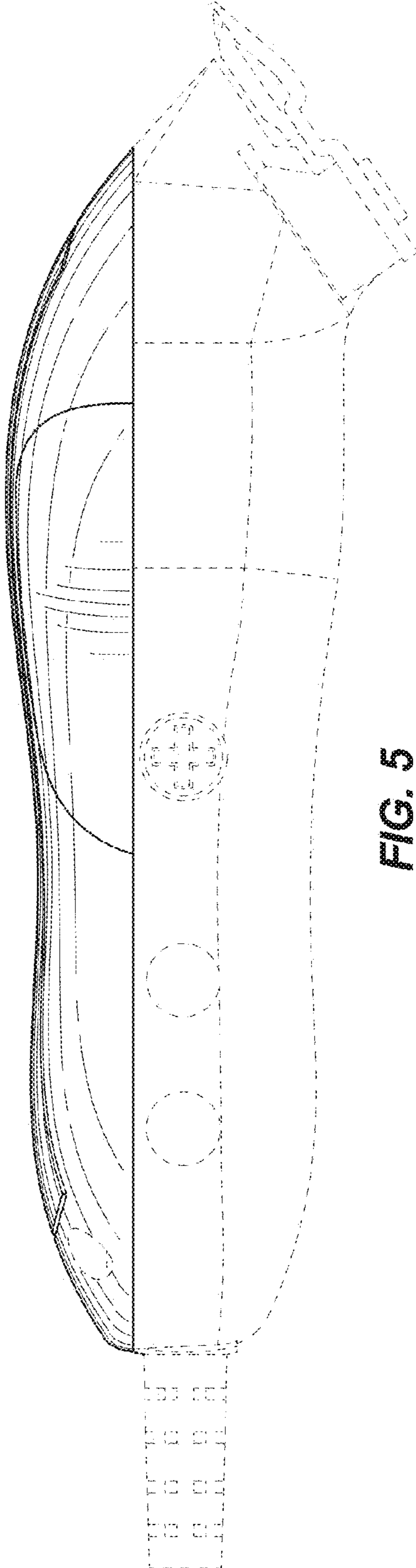


FIG. 5

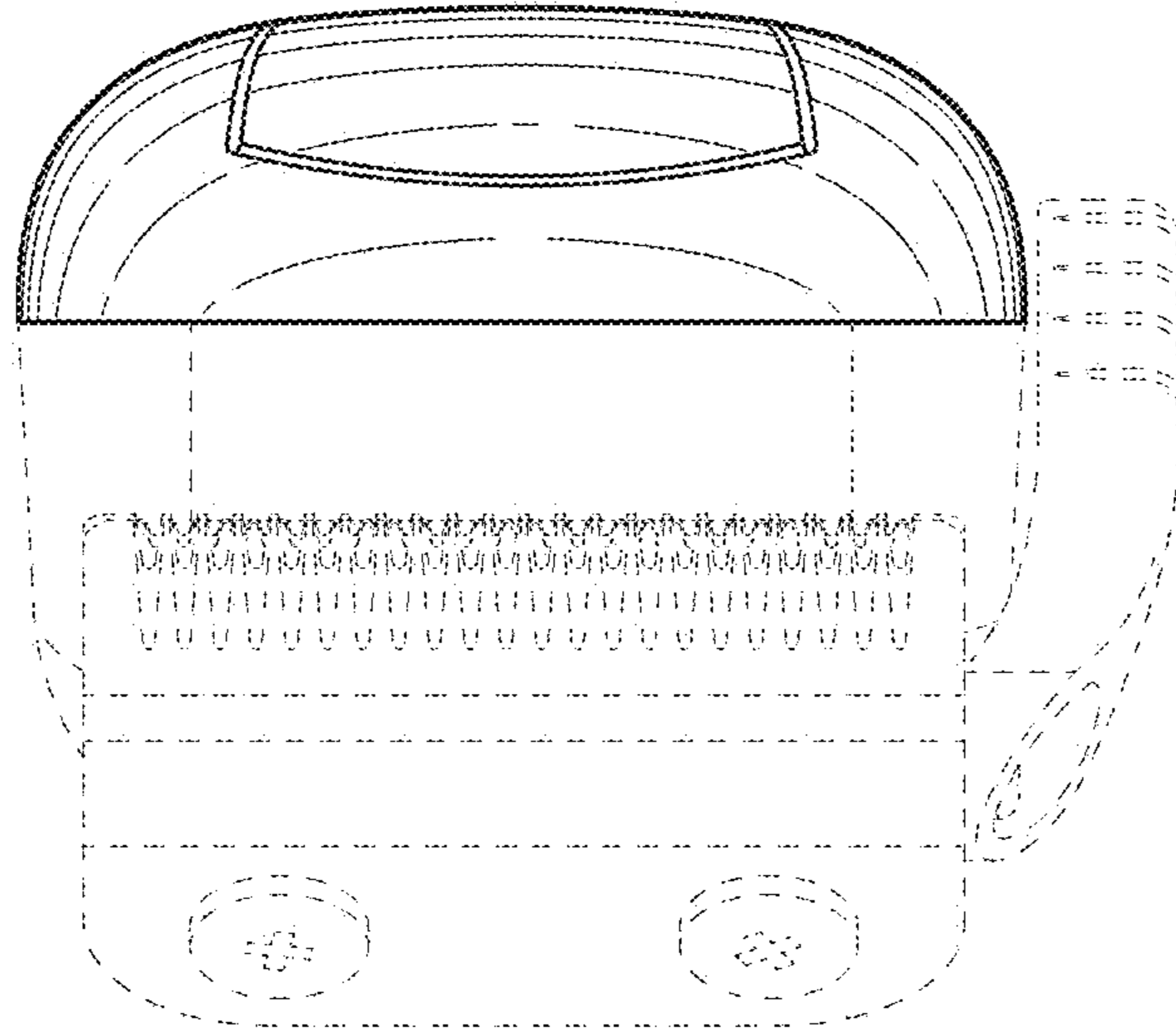


FIG. 6

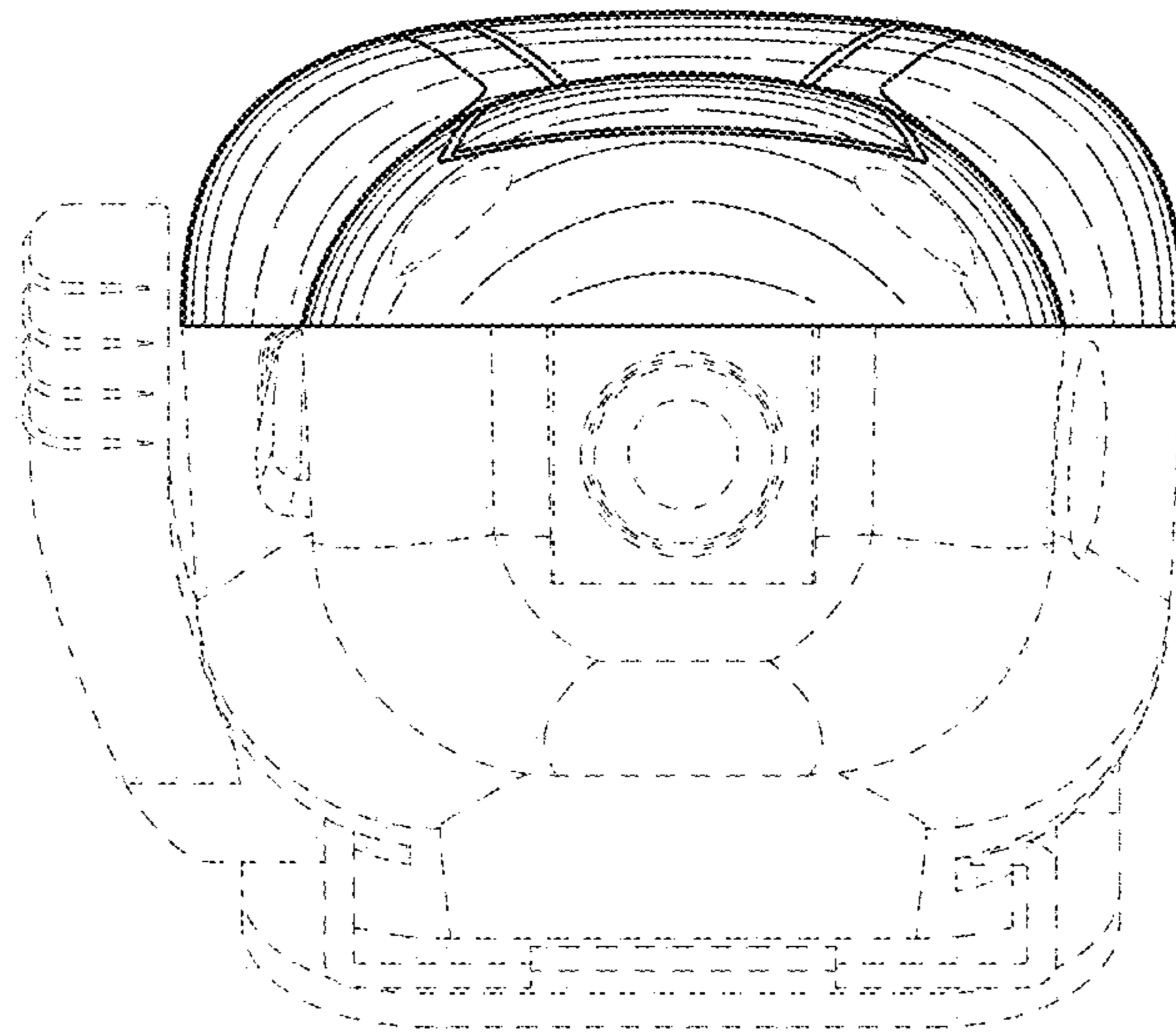


FIG. 7