



US00D758662S

(12) **United States Design Patent**
De Klein

(10) **Patent No.:** **US D758,662 S**
(45) **Date of Patent:** **** Jun. 7, 2016**

(54) **GROOMING APPARATUS**

(71) Applicant: **KONINKLIJKE PHILIPS N.V.**,
Eindhoven (NL)
(72) Inventor: **Nicole Louisa De Klein**, Amsterdam
(NL)
(73) Assignee: **KONINKLIJKE PHILIPS N.V.**,
Eindhoven (NL)
(**) Term: **14 Years**

(21) Appl. No.: **29/513,578**

(22) Filed: **Jan. 2, 2015**

(30) **Foreign Application Priority Data**

Jul. 4, 2014 (EM) 002496497-0005

(51) **LOC (10) Cl.** **28-03**

(52) **U.S. Cl.**
USPC **D28/51; D28/53**

(58) **Field of Classification Search**
USPC D28/44.1, 49-54
CPC B26B 19/00; B26B 19/02-19/107
See application file for complete search history.

(56) **References Cited**

U.S. PATENT DOCUMENTS

D577,864 S *	9/2008	Kitagawa	D28/53
D589,649 S *	3/2009	Tamsiran	D28/44.1
D593,253 S *	5/2009	Tamsiran	D28/51
D593,254 S *	5/2009	Tamsiran	D28/51
D646,438 S *	10/2011	Leventhal	D28/51
D654,221 S *	2/2012	Christie	D28/48
D696,460 S *	12/2013	Prat-Pfister	D28/53
D696,461 S *	12/2013	Prat-Pfister	D28/53
D722,403 S *	2/2015	Prat-Pfister	D28/54

* cited by examiner

Primary Examiner — Jennifer Rivard

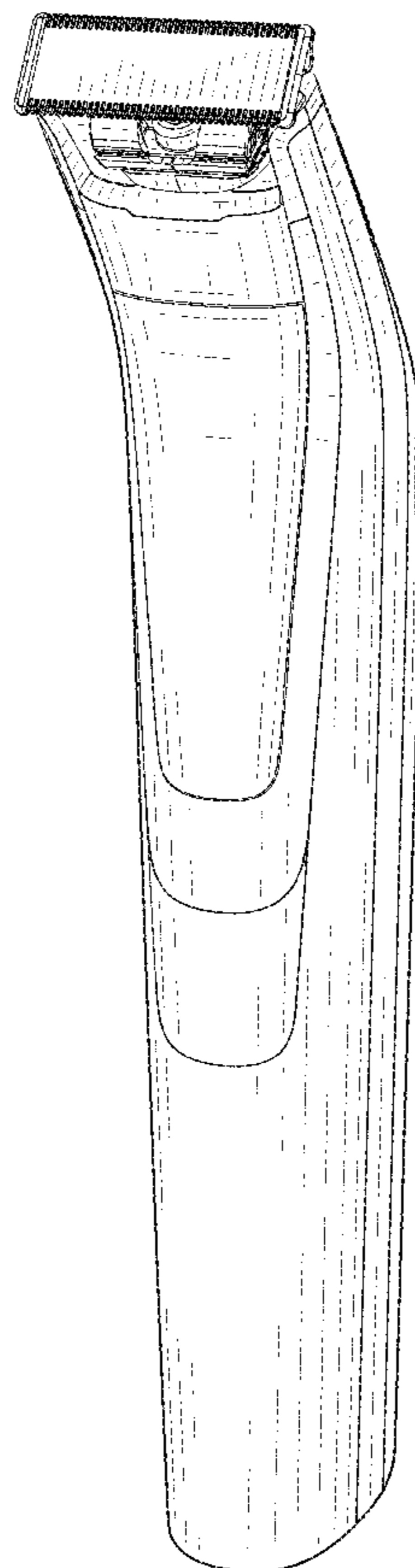
(57) **CLAIM**

The ornamental design for a grooming apparatus, as shown.

DESCRIPTION

FIG. 1 is a perspective view showing my design;
FIG. 2 is a front elevational view thereof;
FIG. 3 is a rear elevational view thereof;
FIG. 4 is a right side elevational view thereof;
FIG. 5 is a left side elevational view thereof;
FIG. 6 is a top plan view thereof; and,
FIG. 7 is a bottom plan view thereof.

1 Claim, 6 Drawing Sheets



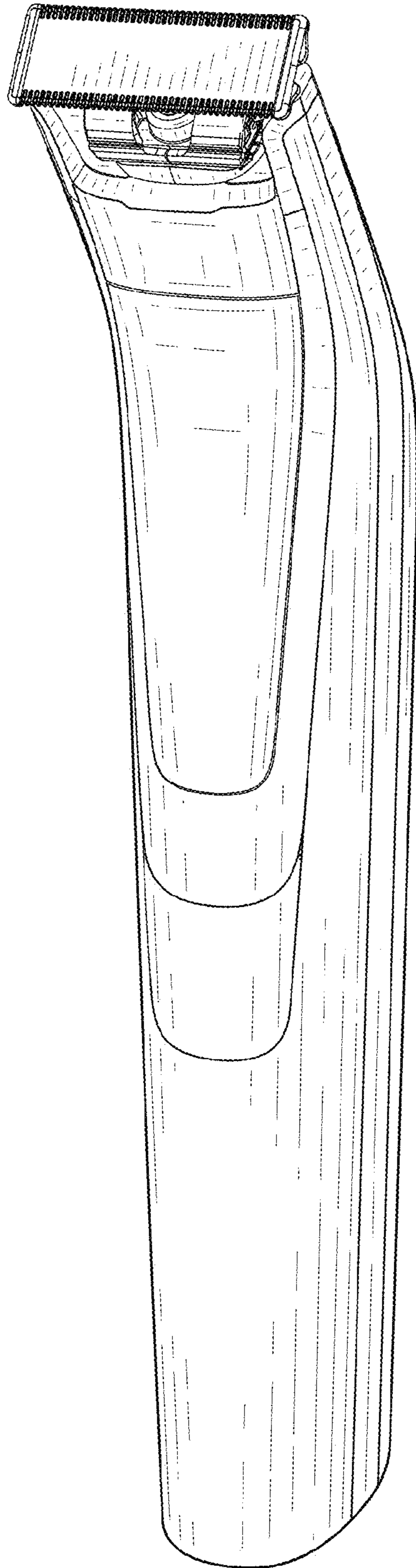


FIG. 1

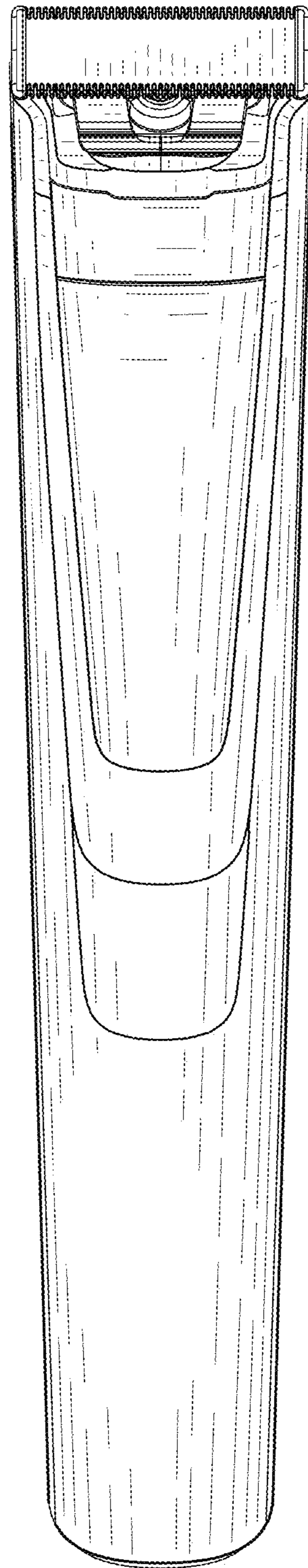


FIG. 2

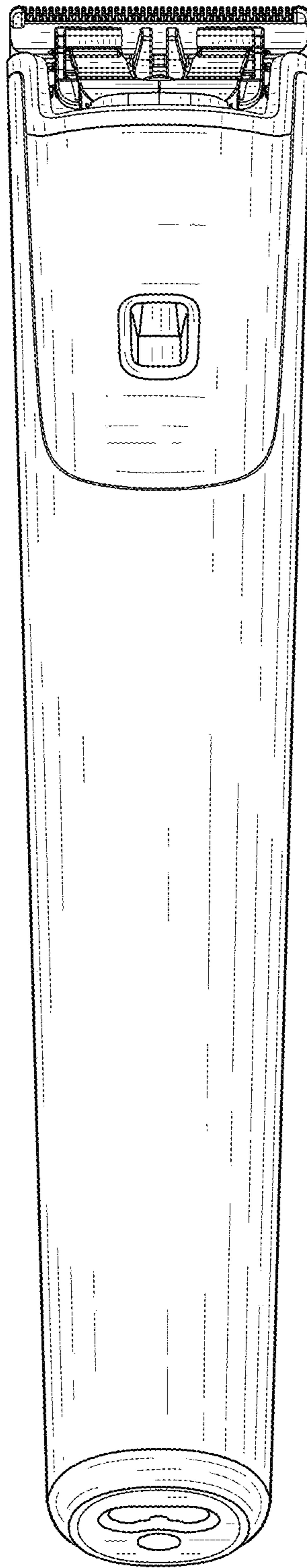


FIG. 3

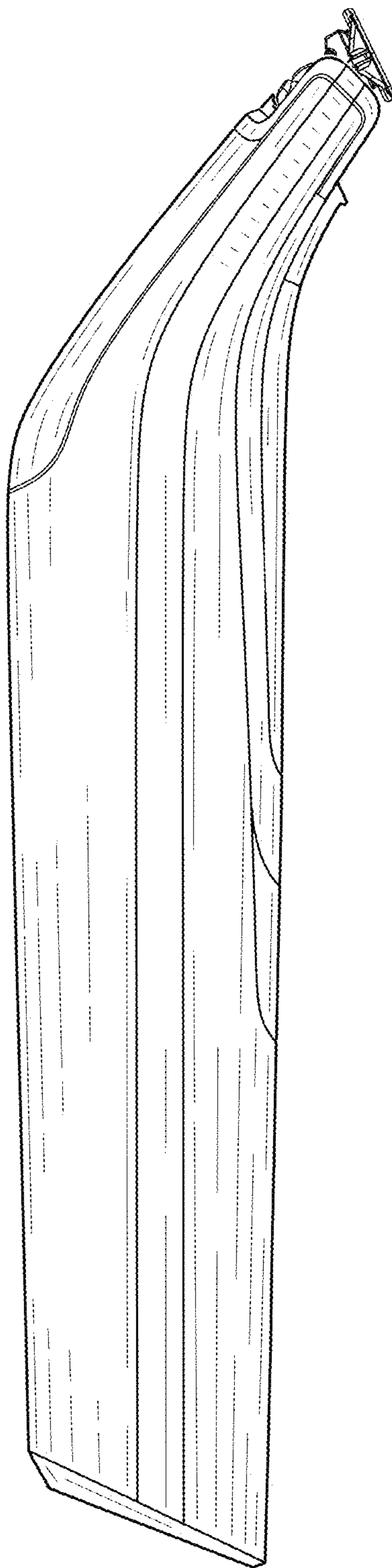


FIG. 4

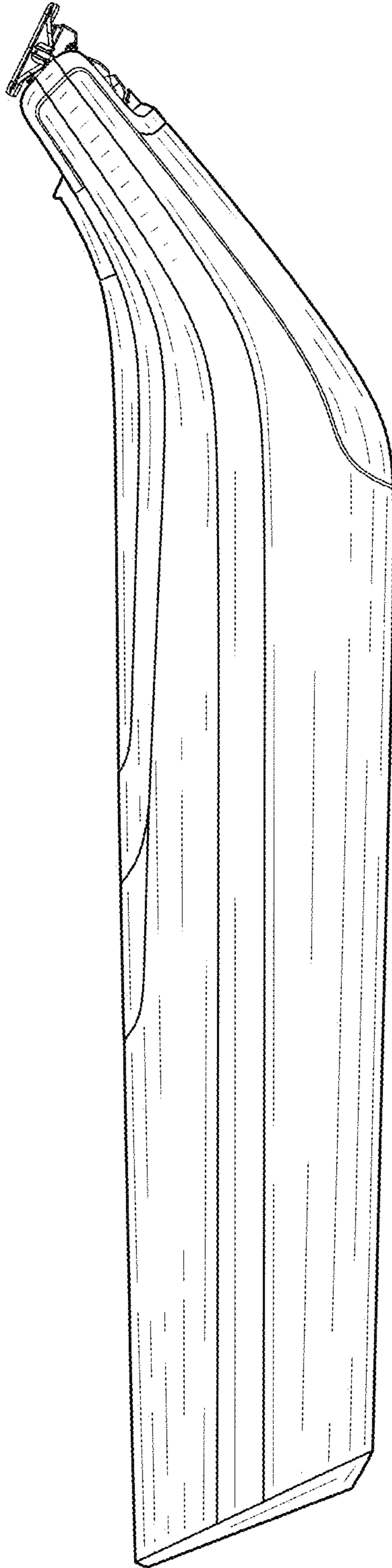


FIG. 5

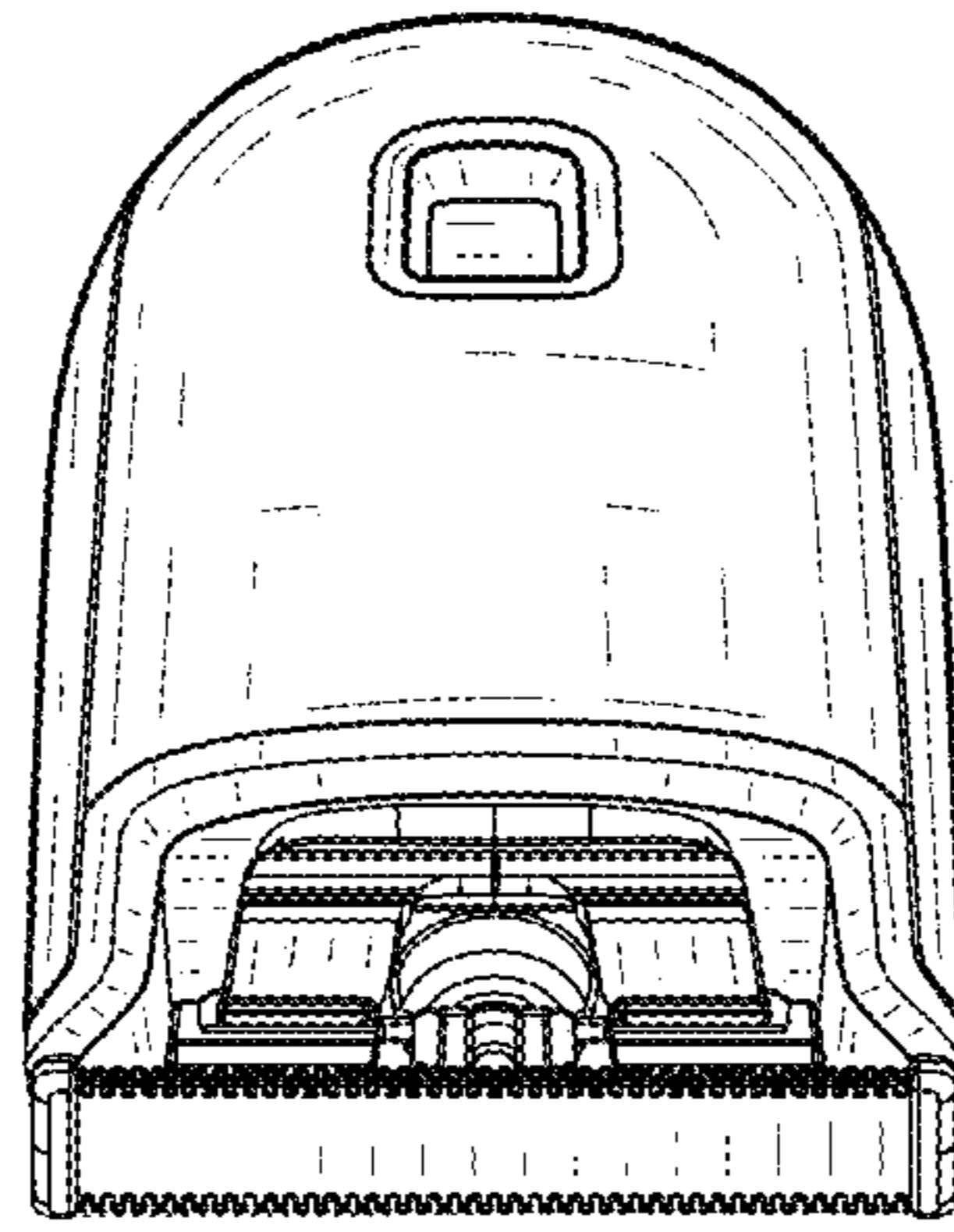


FIG. 6

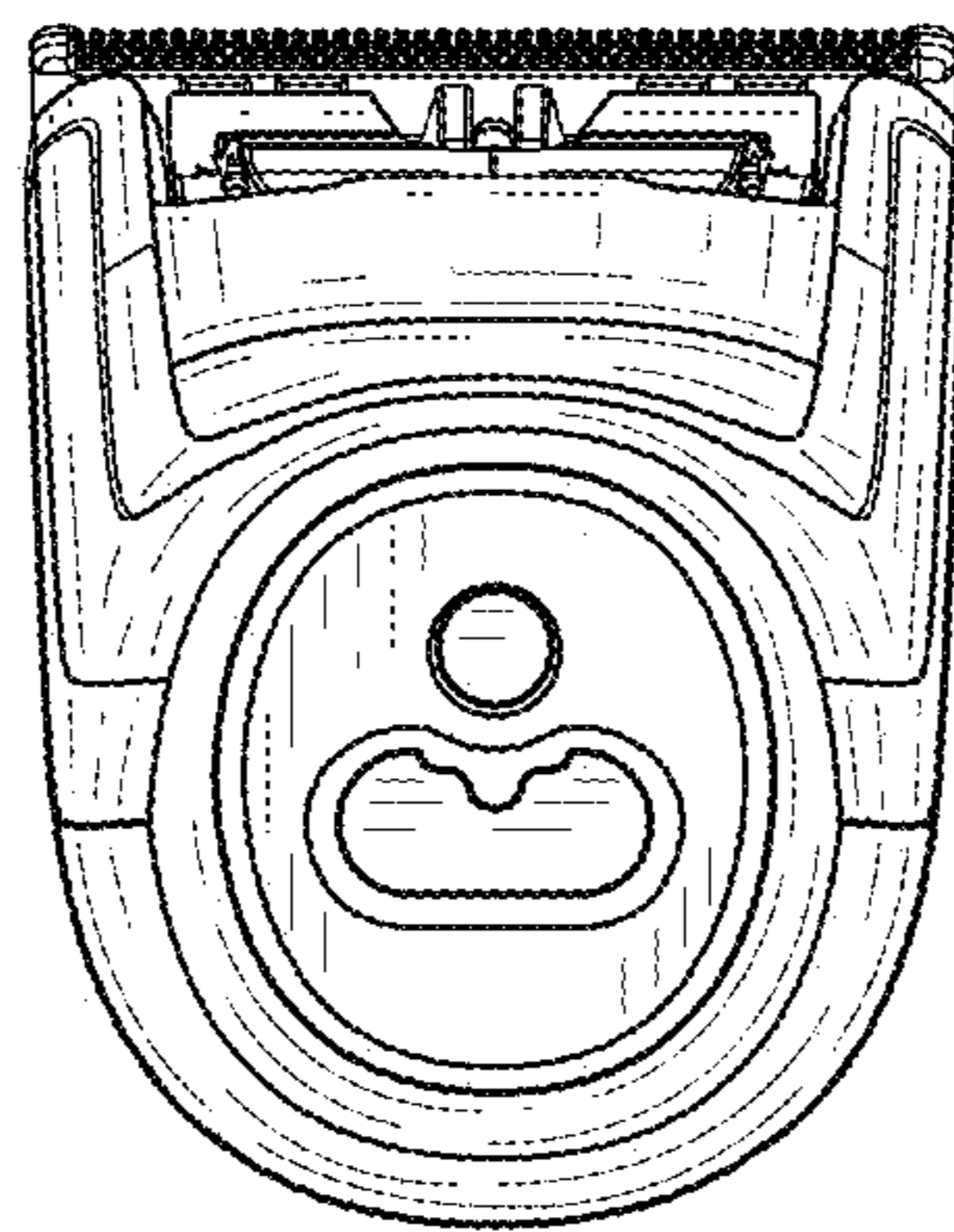


FIG. 7

UNITED STATES PATENT AND TRADEMARK OFFICE
CERTIFICATE OF CORRECTION

PATENT NO. : D758,662 S
APPLICATION NO. : 29/513578
DATED : June 7, 2016
INVENTOR(S) : De Klein et al.

Page 1 of 1

It is certified that error appears in the above-identified patent and that said Letters Patent is hereby corrected as shown below:

On the Title Page

Item (72) Please add the following inventors: Jens Peter Kophmann ANDERSSON (Amsterdam (NL)), Albert Jan AITINK (Eindhoven (NL)), and Martinus Bernardus STAPELBROEK (Frieschepalen (NL)).

Signed and Sealed this
Ninth Day of March, 2021



Drew Hirshfeld
*Performing the Functions and Duties of the
Under Secretary of Commerce for Intellectual Property and
Director of the United States Patent and Trademark Office*