



US00D758657S

(12) **United States Design Patent**
Hary

(10) **Patent No.:** **US D758,657 S**
(45) **Date of Patent:** **** Jun. 7, 2016**

(54) **HAIR DRYER**
(71) Applicant: **CALOR**, Ecully (FR)
(72) Inventor: **Stéphanie Hary**, Ecully (FR)
(73) Assignee: **CALOR**, Ecully (FR)
(**) Term: **14 Years**

D641,521 S * 7/2011 Parodi D28/13
D655,037 S * 2/2012 Mau
D677,834 S * 3/2013 Sayers et al.
D681,274 S * 4/2013 Huang D28/13
D681,275 S * 4/2013 Huang D28/13
D697,667 S * 1/2014 Yoe D28/13
D715,485 S 10/2014 Parodi
D717,490 S 11/2014 Sayers et al.

* cited by examiner

(21) Appl. No.: **29/520,185**
(22) Filed: **Mar. 12, 2015**

Primary Examiner — Zenia Bennett
(74) *Attorney, Agent, or Firm* — Loeb & Loeb LLP

(30) **Foreign Application Priority Data**

Sep. 18, 2014 (EM) 002540377-0001

(51) **LOC (10) Cl.** **28-03**

(52) **U.S. Cl.**
USPC **D28/13**

(58) **Field of Classification Search**
USPC D28/12-19; 34/96-101; 392/380-385;
219/222
CPC A45D 20/12; A45D 20/00
See application file for complete search history.

(57) **CLAIM**

The ornamental design for a hair dryer, as shown and described.

DESCRIPTION

FIG. 1 is a perspective view of an embodiment of an hair dryer showing our new design.

FIG. 2 is a left side elevational view of the hair dryer of FIG. 1.

FIG. 3 is a right side elevational view of the hair dryer of FIG. 1.

FIG. 4 is a front elevational view of the hair dryer of FIG. 1.

FIG. 5 is a rear elevational view of the hair dryer of FIG. 1.

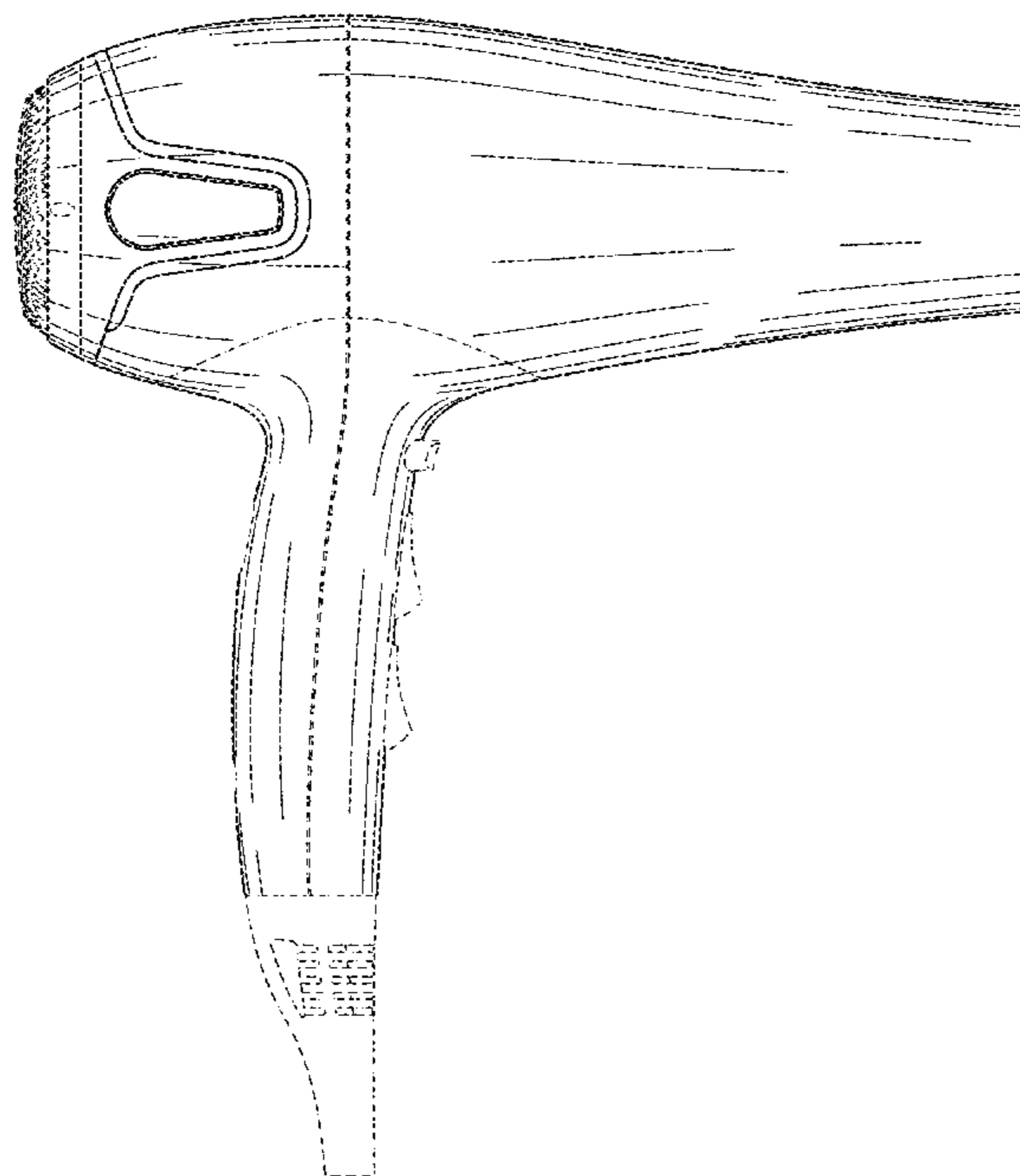
FIG. 6 is a top plan view of the hair dryer of FIG. 1; and, FIG. 7 is a bottom plan view of the hair dryer of FIG. 1. The broken lines appearing in the figures are for the purpose of illustrating the environmental structure of the article of the claimed design and form no part of the claimed design.

(56) **References Cited**

U.S. PATENT DOCUMENTS

D499,209 S 11/2004 Ikesaki
D543,313 S * 5/2007 Petruccelli, Jr. D28/13
D581,590 S 11/2008 Leung
D627,510 S * 11/2010 Zabala D28/13
D629,967 S * 12/2010 Mayo D28/13

1 Claim, 7 Drawing Sheets



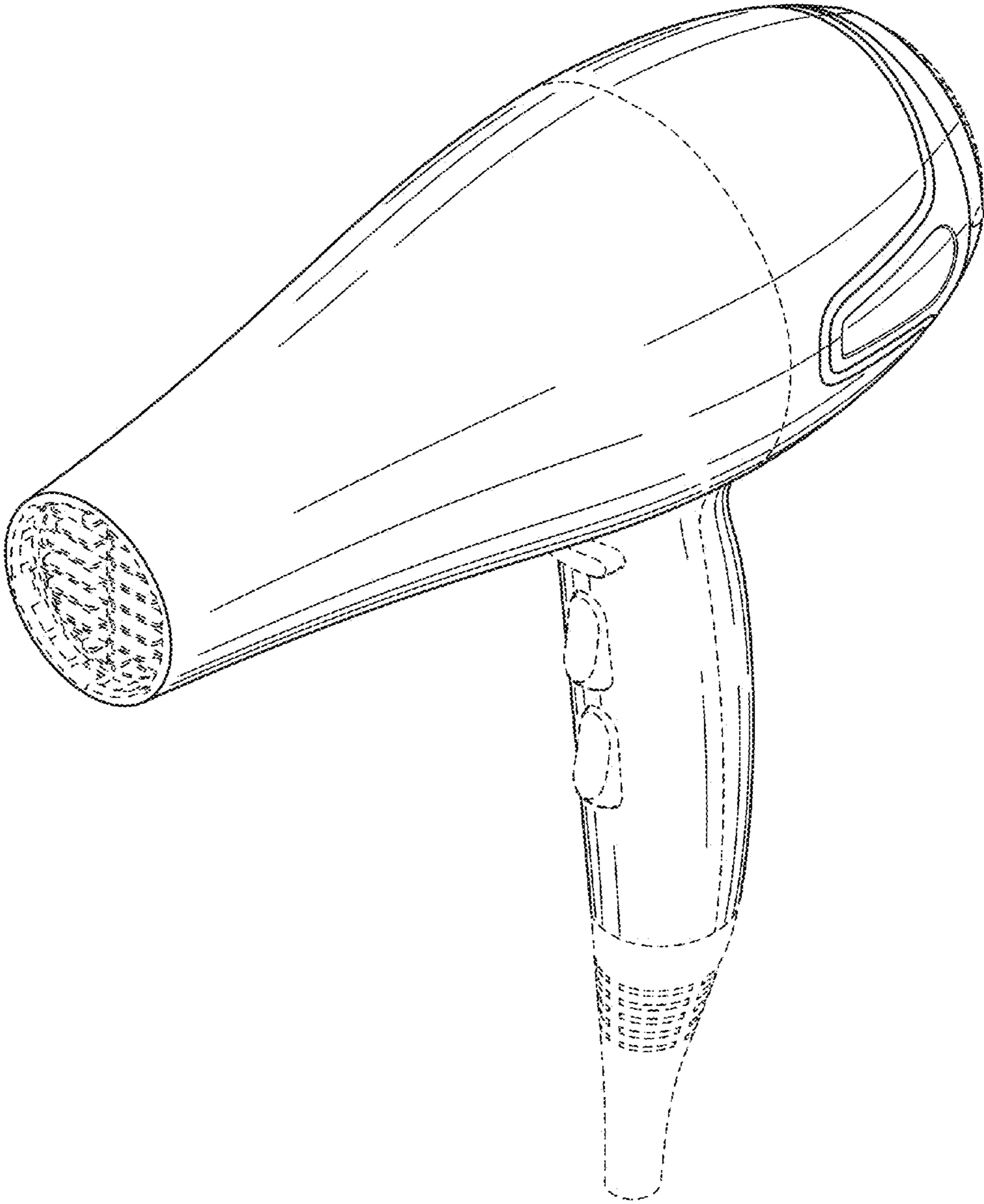


FIG. 1

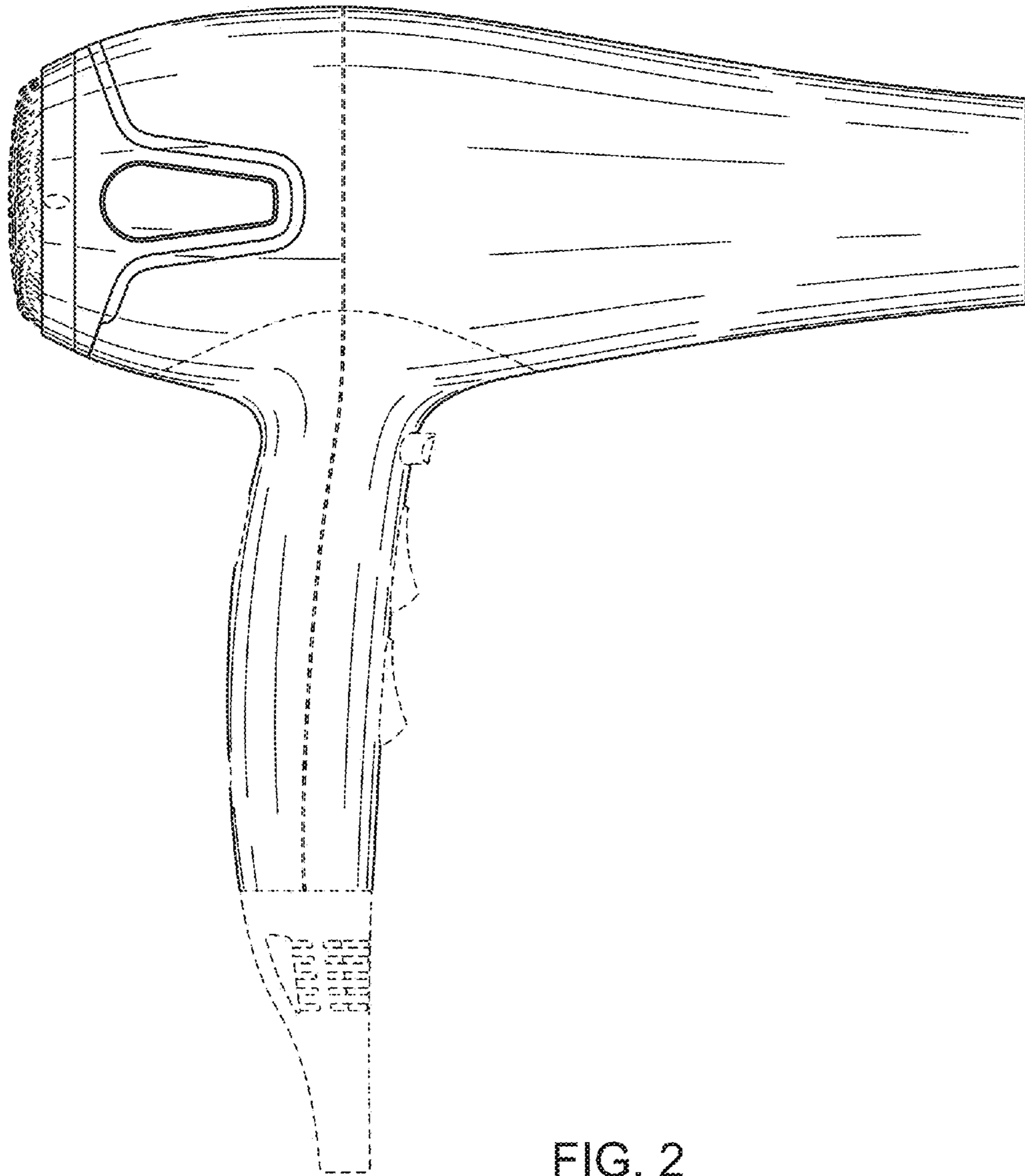


FIG. 2

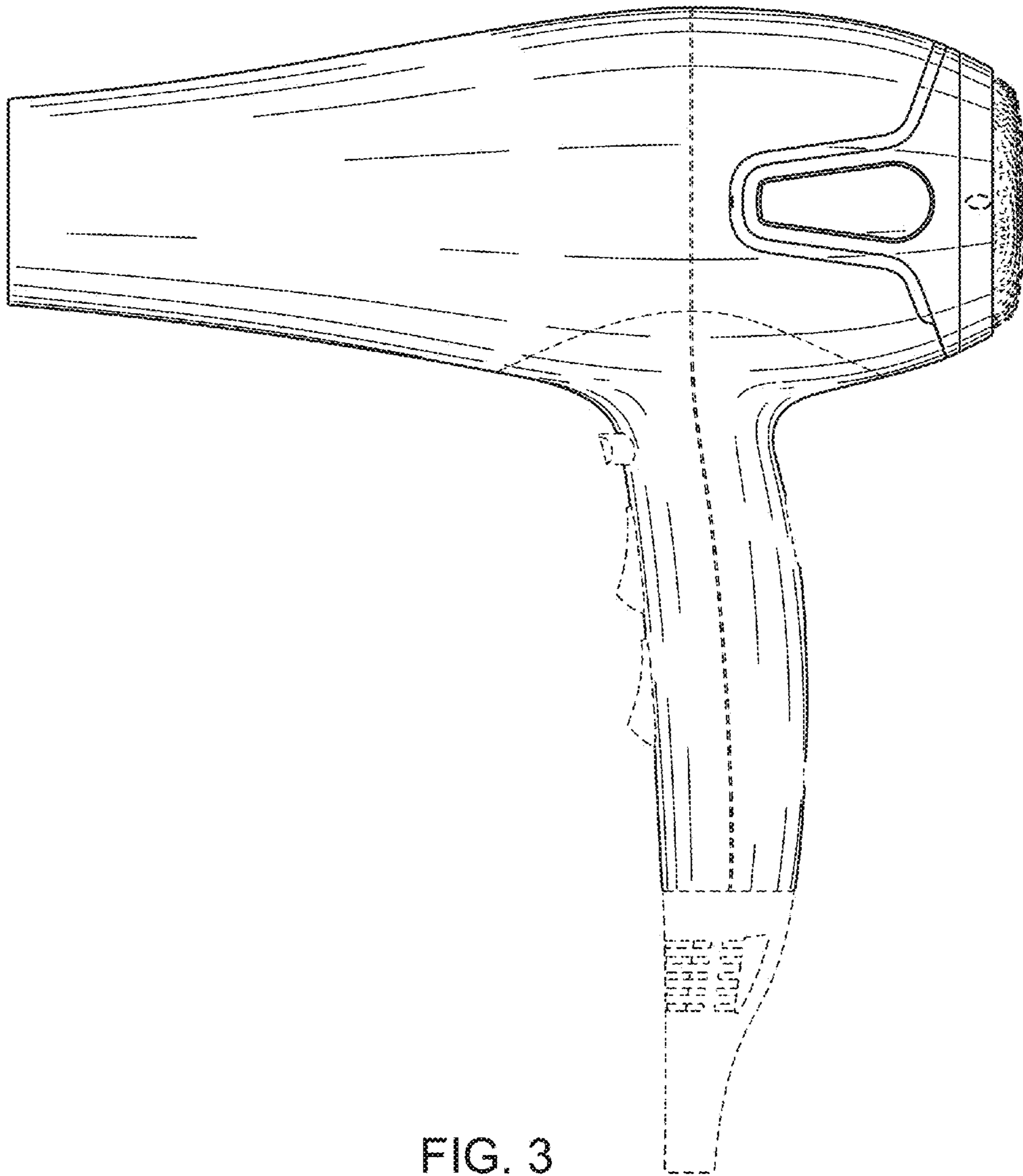


FIG. 3

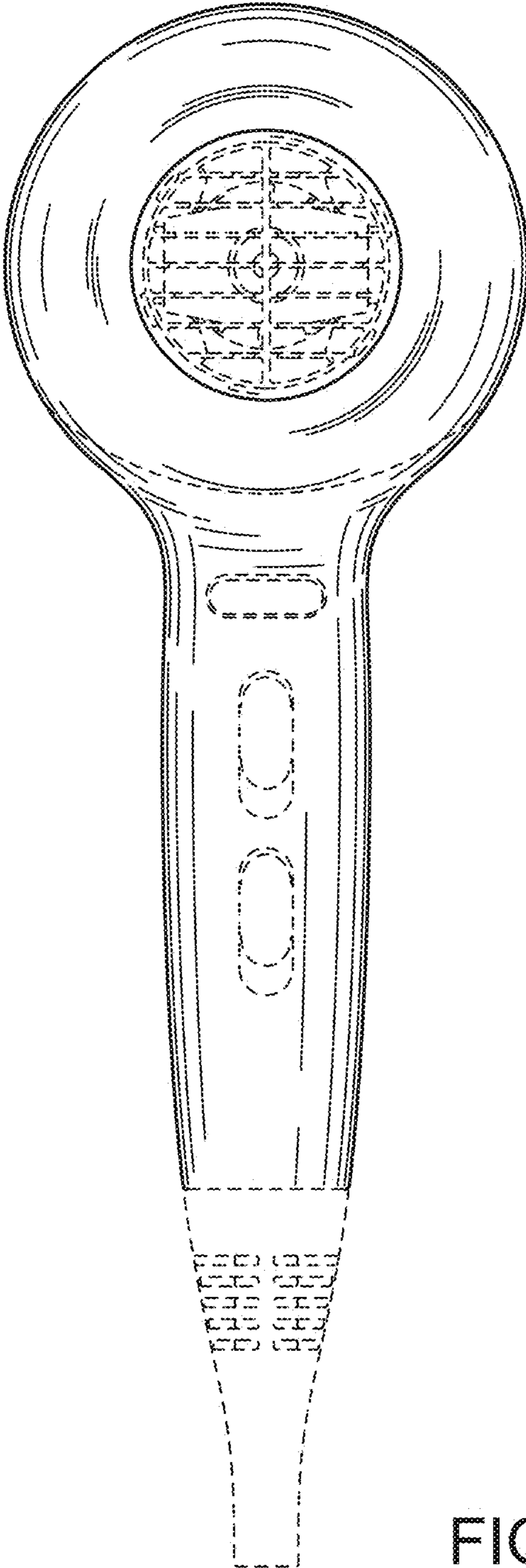


FIG. 4

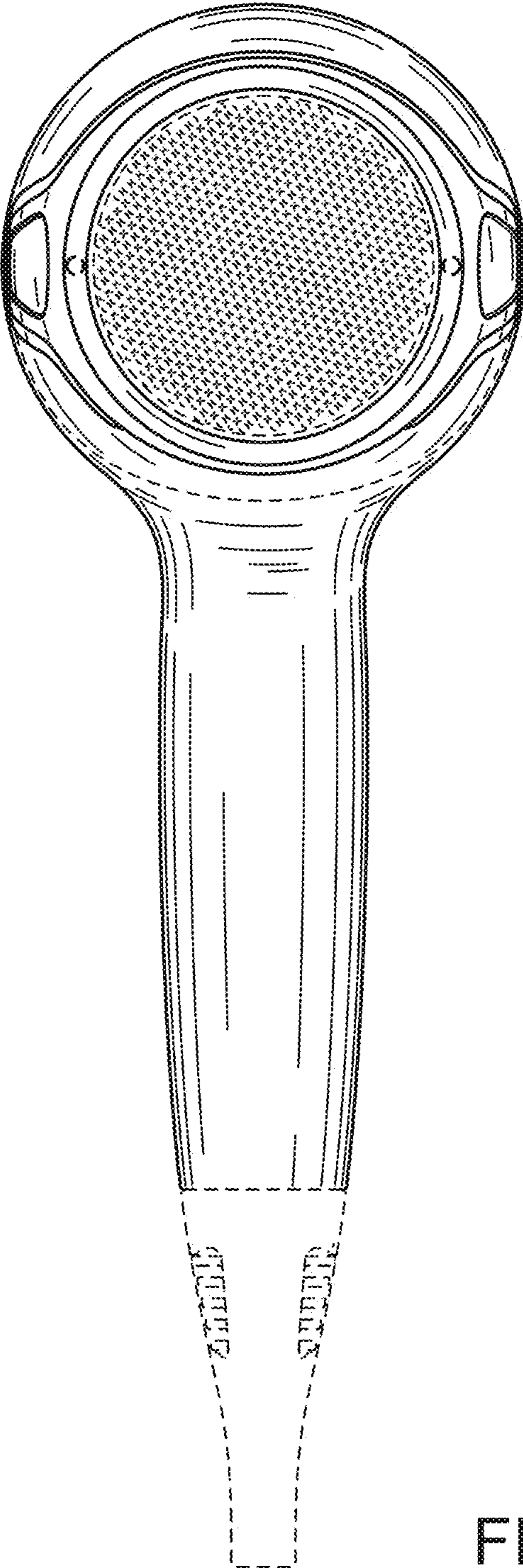


FIG. 5

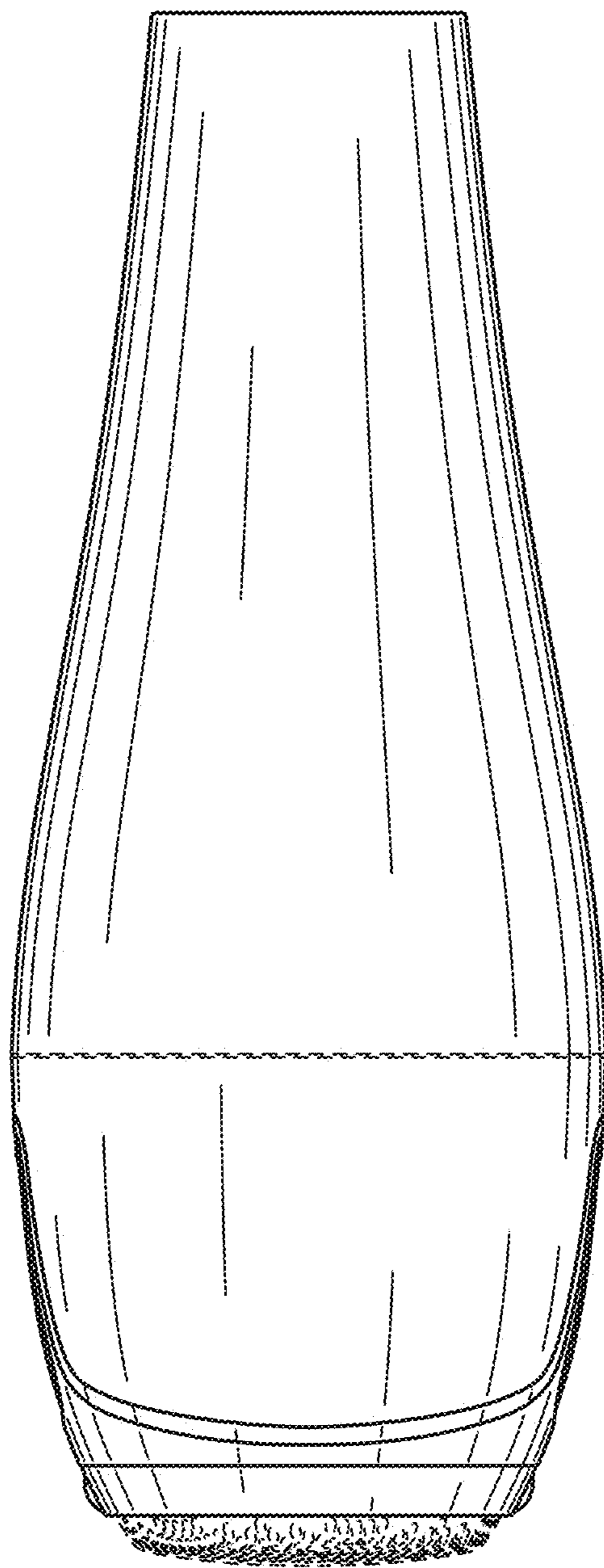


FIG. 6

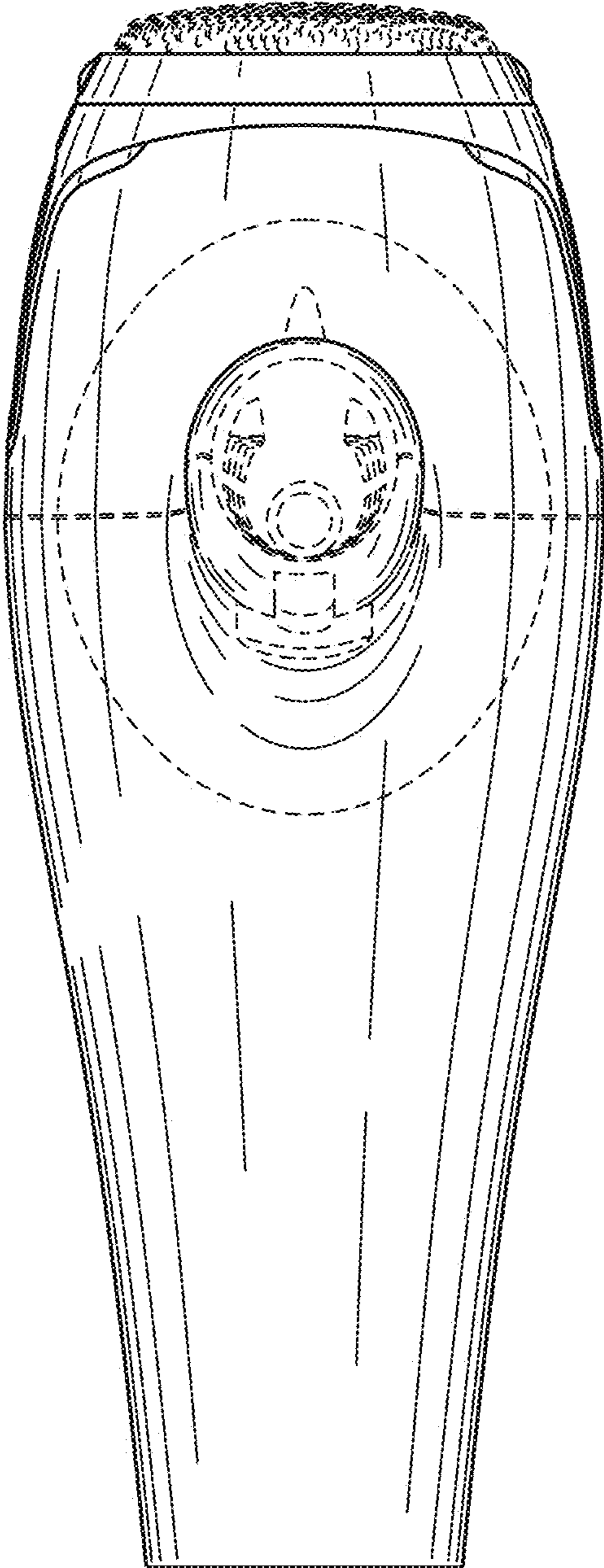


FIG. 7