



US00D758654S

(12) **United States Design Patent**
Liu

(10) **Patent No.:** **US D758,654 S**
(45) **Date of Patent:** **** Jun. 7, 2016**

(54) **TOBACCO COMBUSTOR**

(71) Applicant: **Tuanfang Liu, Ji'an (CN)**

(72) Inventor: **Tuanfang Liu, Ji'an (CN)**

(**) Term: **14 Years**

(21) Appl. No.: **29/492,161**

(22) Filed: **May 29, 2014**

(30) **Foreign Application Priority Data**

Mar. 25, 2014 (CN) 2014 3 0063764

(51) **LOC (10) Cl.** **27-02**

(52) **U.S. Cl.**
USPC **D27/163**

(58) **Field of Classification Search**
USPC D27/163, 164, 194, 170, 139-161, 100,
D27/101; D4/100-102; D8/83, 82, 107;
131/185, 174, 175, 178, 191, 180, 181,
131/194, 195, 198.1, 199, 329, 330, 227,
131/229
CPC A24F 1/28
See application file for complete search history.

(56) **References Cited**

U.S. PATENT DOCUMENTS

2,387,381 A * 10/1945 Zuckerman 131/199
D143,725 S * 2/1946 Grandon D27/170

3,091,246 A * 5/1963 Mahieux 131/195
4,637,407 A * 1/1987 Bonanno et al. 131/175
5,417,227 A * 5/1995 West 131/185
D652,571 S * 1/2012 Shenassa et al. D27/163
D653,803 S * 2/2012 Timmermans D27/163

* cited by examiner

Primary Examiner — Susan Bennett Hattan

Assistant Examiner — Rebecca Tsehaye

(74) *Attorney, Agent, or Firm* — Matthias Scholl, PC;
Matthias Scholl

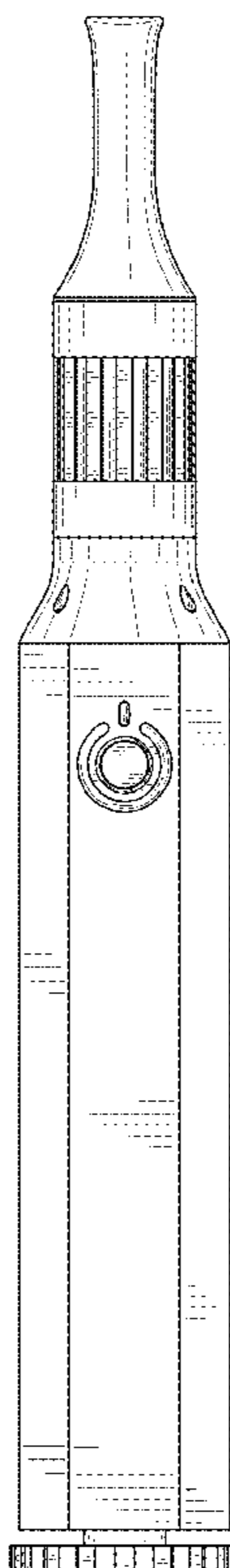
(57) **CLAIM**

The ornamental design for a tobacco combustor, as shown and described.

DESCRIPTION

FIG. 1 is a front elevational view of a tobacco combustor; FIG. 2 is a rear elevational view thereof; FIG. 3 is a left side elevational view thereof; FIG. 4 is a right side elevational view thereof; FIG. 5 is a top plan view thereof; FIG. 6 is a bottom plan view thereof; FIG. 7 is a perspective view thereof; and, FIG. 8 is an enlarged view of FIG. 5. The broken lines in FIGS. 5 and 8 depicting nine circular elements inside the top of the tobacco combustor form no part of the claimed design.

1 Claim, 8 Drawing Sheets



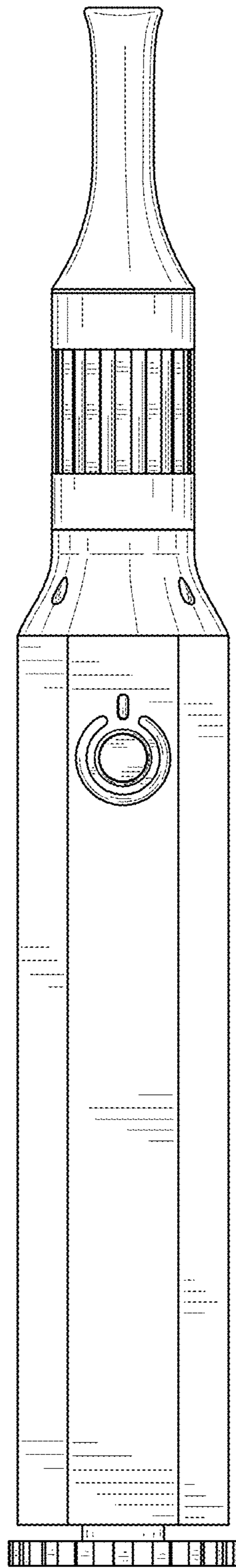


FIG. 1

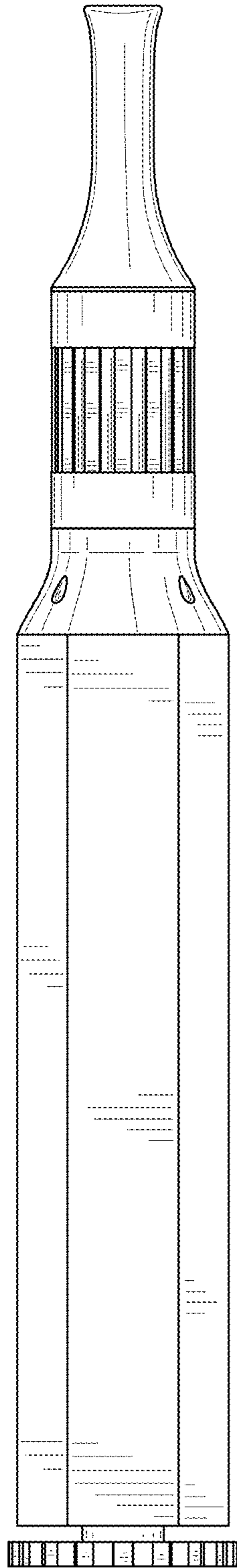


FIG. 2

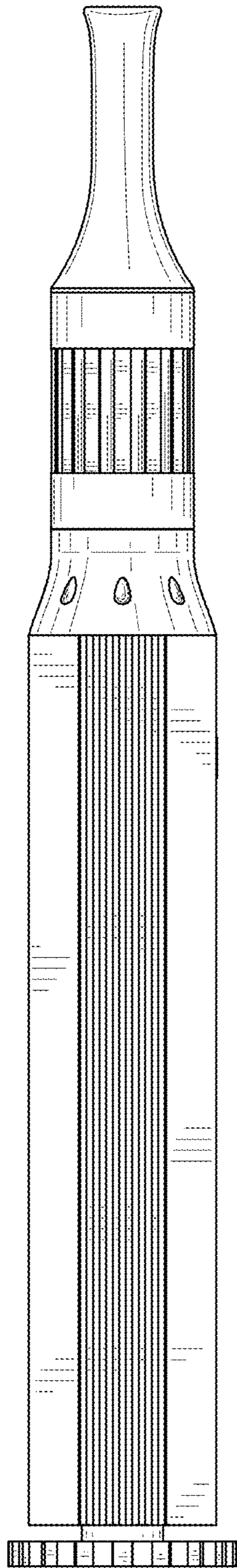


FIG. 3

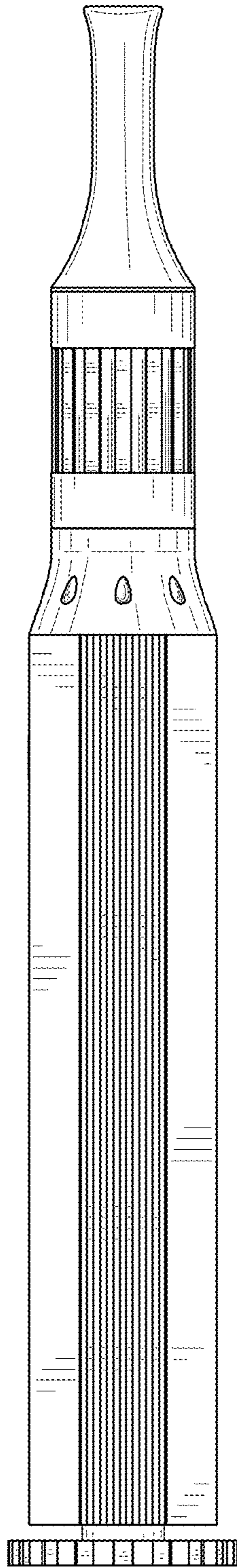


FIG. 4

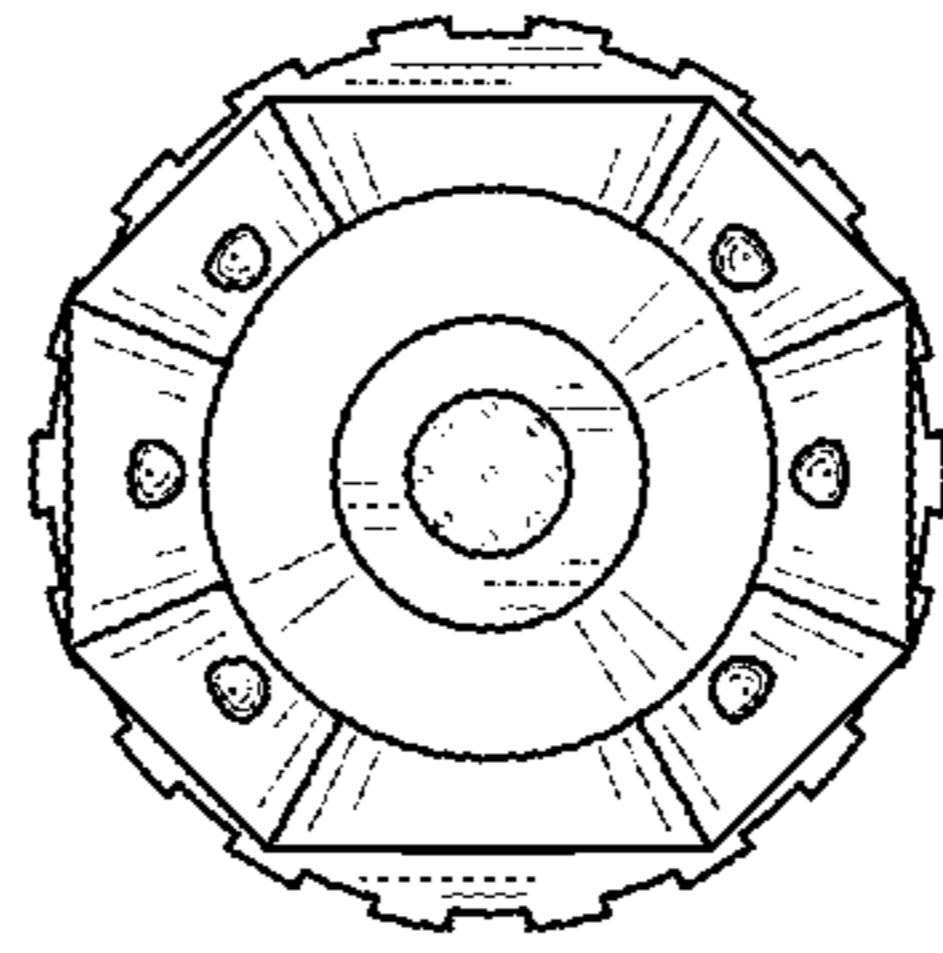


FIG. 5

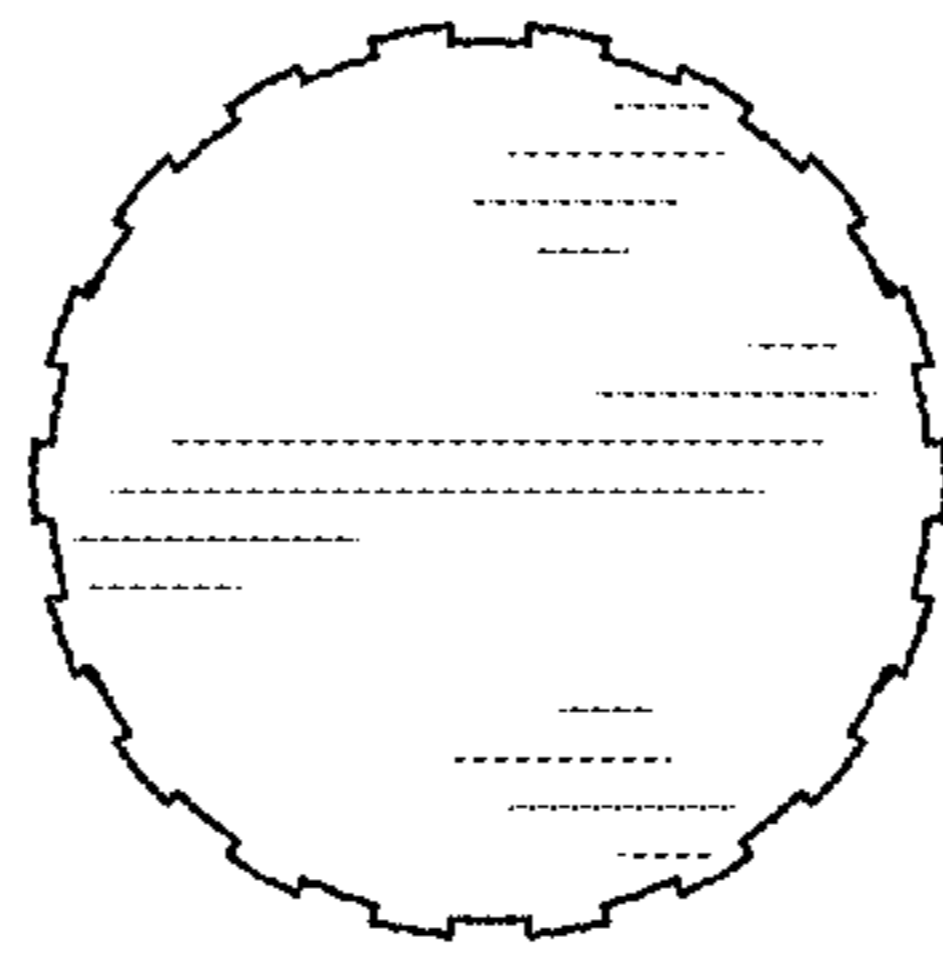


FIG. 6

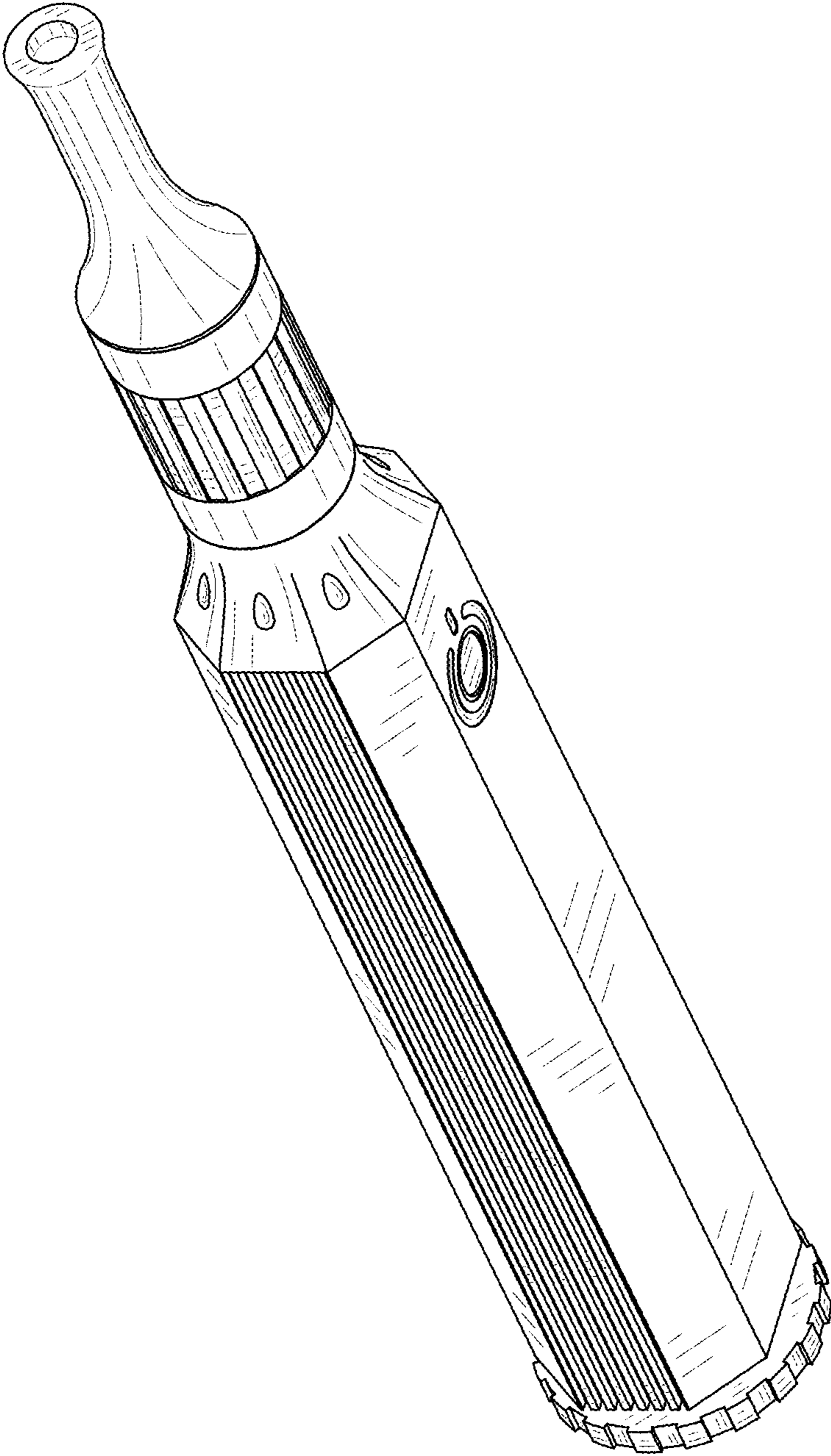


FIG. 7

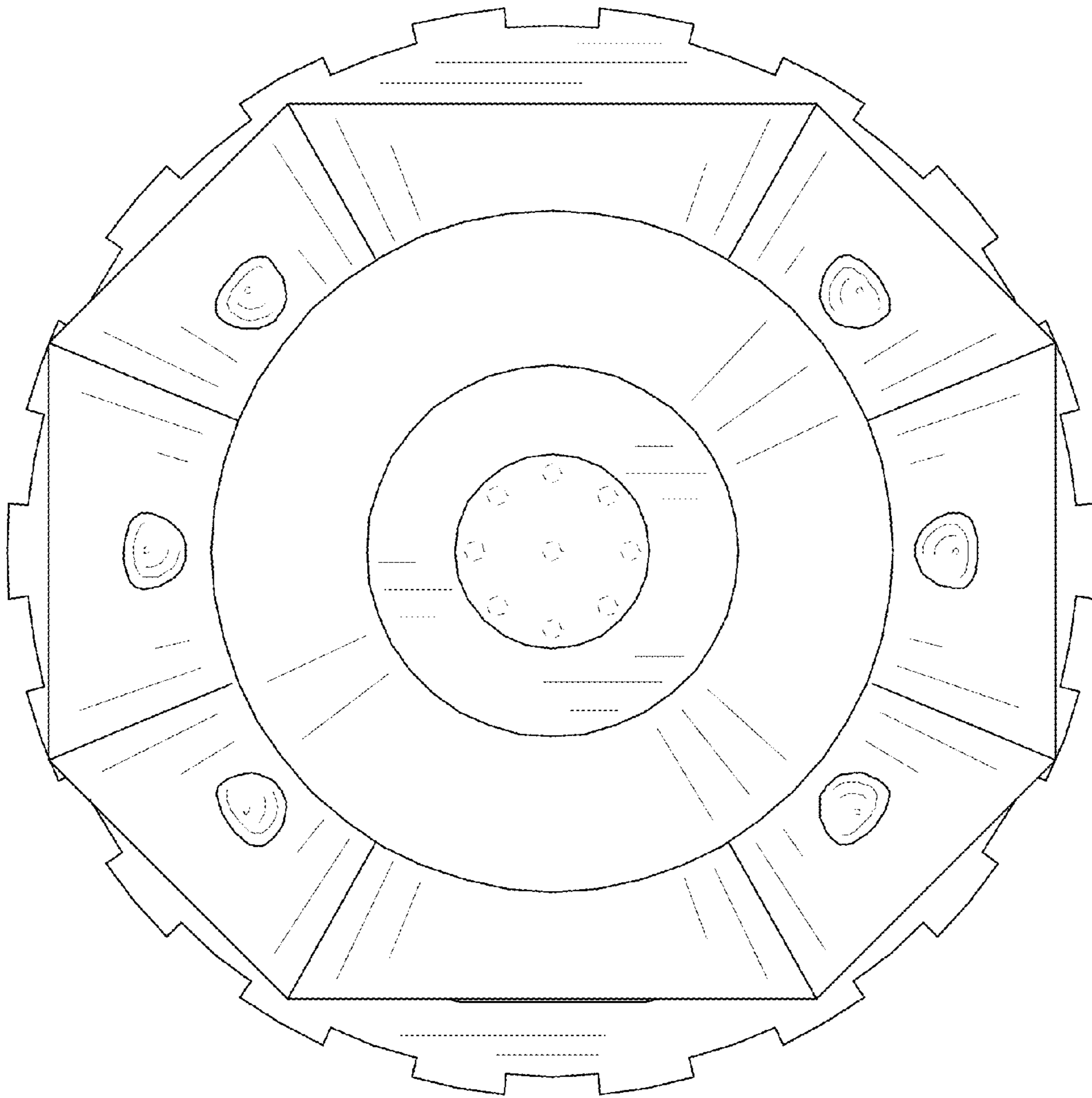


FIG. 8