



US00D758650S

(12) **United States Design Patent**
Wu

(10) **Patent No.:** **US D758,650 S**
(45) **Date of Patent:** **** Jun. 7, 2016**

(54) **ELECTRONIC CIGARETTE DEVICE**

(71) Applicant: **SHENZHEN SMACO TECHNOLOGY LIMITED**, Shenzhen, Guangdong Province (CN)

(72) Inventor: **Yangyang Wu**, Shenzhen (CN)

(73) Assignee: **SHENZHEN SMACO TECHNOLOGY LIMITED**, Shenzhen, Guangdong Province (CN)

(**) Term: **14 Years**

(21) Appl. No.: **29/506,562**

(22) Filed: **Oct. 16, 2014**

(51) **LOC (10) Cl.** **27-01**

(52) **U.S. Cl.**
USPC **D27/101**

(58) **Field of Classification Search**
USPC D27/101, 105, 108, 123, 129, 163, 164, D27/169, 172, 175, 183, 184, 186, 187, 189, D27/190, 193, 195; D25/126; D24/110; D9/529; D23/360, 390, 397; D8/349-352, 354-356
CPC A61M 15/009

See application file for complete search history.

(56) **References Cited**

U.S. PATENT DOCUMENTS

| | | | | |
|----------------|---------|------------------|-------|------------------------|
| D580,597 S * | 11/2008 | Mascotte | | D28/76 |
| D666,355 S * | 8/2012 | Alelov | | D27/101 |
| D684,311 S * | 6/2013 | Liu | | D27/101 |
| D685,522 S * | 7/2013 | Potter | | D27/101 |
| D688,415 S * | 8/2013 | Kim | | D27/101 |
| 8,499,766 B1 * | 8/2013 | Newton | | A24F 47/008 131/273 |
| D692,612 S * | 10/2013 | Lowenthal | | D13/103 |
| D704,066 S * | 5/2014 | de Lima Paschoal | | D28/76 |
| D724,262 S * | 3/2015 | Hearn | | D27/101 |
| D727,564 S * | 4/2015 | LaForge | | D27/101 |
| D728,852 S * | 5/2015 | Hearn | | D27/101 |
| D729,439 S * | 5/2015 | Scatterday | | D27/101 |
| D738,567 S * | 9/2015 | Tucker | | D27/101 |

| | | | | |
|-------------------|---------|------------|-------|----------------------------|
| D743,097 S * | 11/2015 | Tucker | | D27/101 |
| 2009/0044816 A1 * | 2/2009 | Rasouli | | A24D 3/048 131/274 |
| 2011/0120482 A1 * | 5/2011 | Brenneise | | A24F 47/008 131/328 |
| 2012/0186593 A1 * | 7/2012 | Grano | | A24D 3/041 131/202 |
| 2014/0345631 A1 * | 11/2014 | Bowen | | A24B 15/16 131/328 |
| 2014/0345632 A1 * | 11/2014 | Scatterday | | A24F 47/008 131/329 |
| 2015/0027465 A1 * | 1/2015 | Liu | | A24F 47/008 131/329 |
| 2015/0083145 A1 * | 3/2015 | Li | | A24F 47/008 131/329 |
| 2015/0107609 A1 * | 4/2015 | Liu | | A24F 47/008 131/329 |
| 2015/0272220 A1 * | 10/2015 | Spinka | | A24F 47/008 131/329 |
| 2015/0328415 A1 * | 11/2015 | Minskoff | | A61M 15/0001 128/202.21 |
| 2015/0332379 A1 * | 11/2015 | Alarcon | | G06Q 30/0635 705/26.81 |

* cited by examiner

Primary Examiner — Susan Bennett Hattan

Assistant Examiner — Jennifer Wright

(74) *Attorney, Agent, or Firm* — Cheng-Ju Chiang

(57) **CLAIM**

The ornamental design for an electronic cigarette device, as shown and described.

DESCRIPTION

FIG. 1 is a perspective view of an electronic cigarette device showing my new design;

FIG. 2 is a front elevational view thereof;

FIG. 3 is a rear elevational view thereof;

FIG. 4 is a left side elevational view thereof;

FIG. 5 is a right side elevational view thereof;

FIG. 6 is a top plan view thereof;

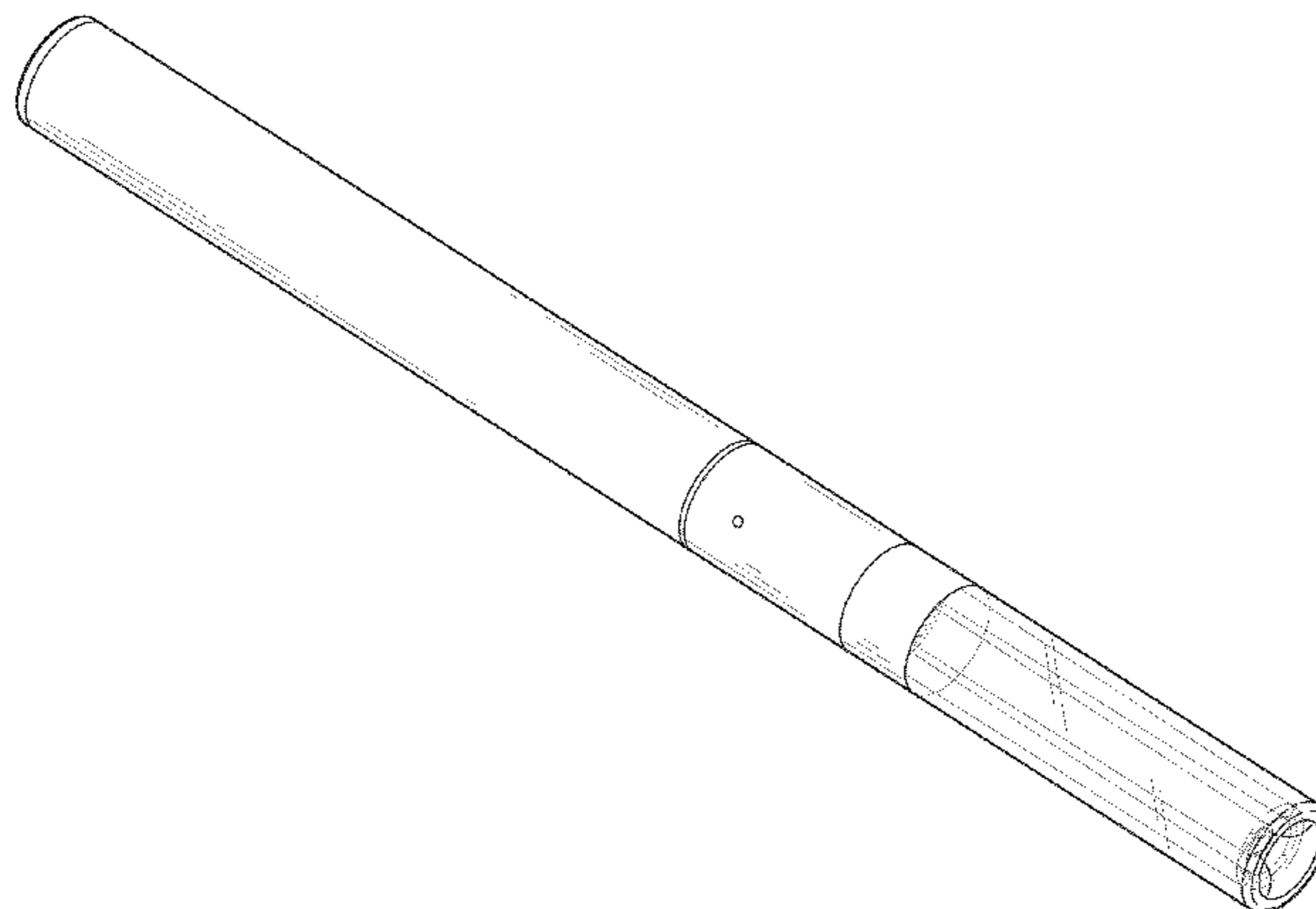
FIG. 7 is a bottom plan view thereof; and,

FIG. 8 is a perspective view of the electronic cigarette device of FIG. 1 viewed from another viewing angle.

The diagonal shading lines shown in the drawings are intended to show transparency.

The broken lines in the drawings depict portions of the electronic cigarette device which form no part of the claimed design.

1 Claim, 5 Drawing Sheets



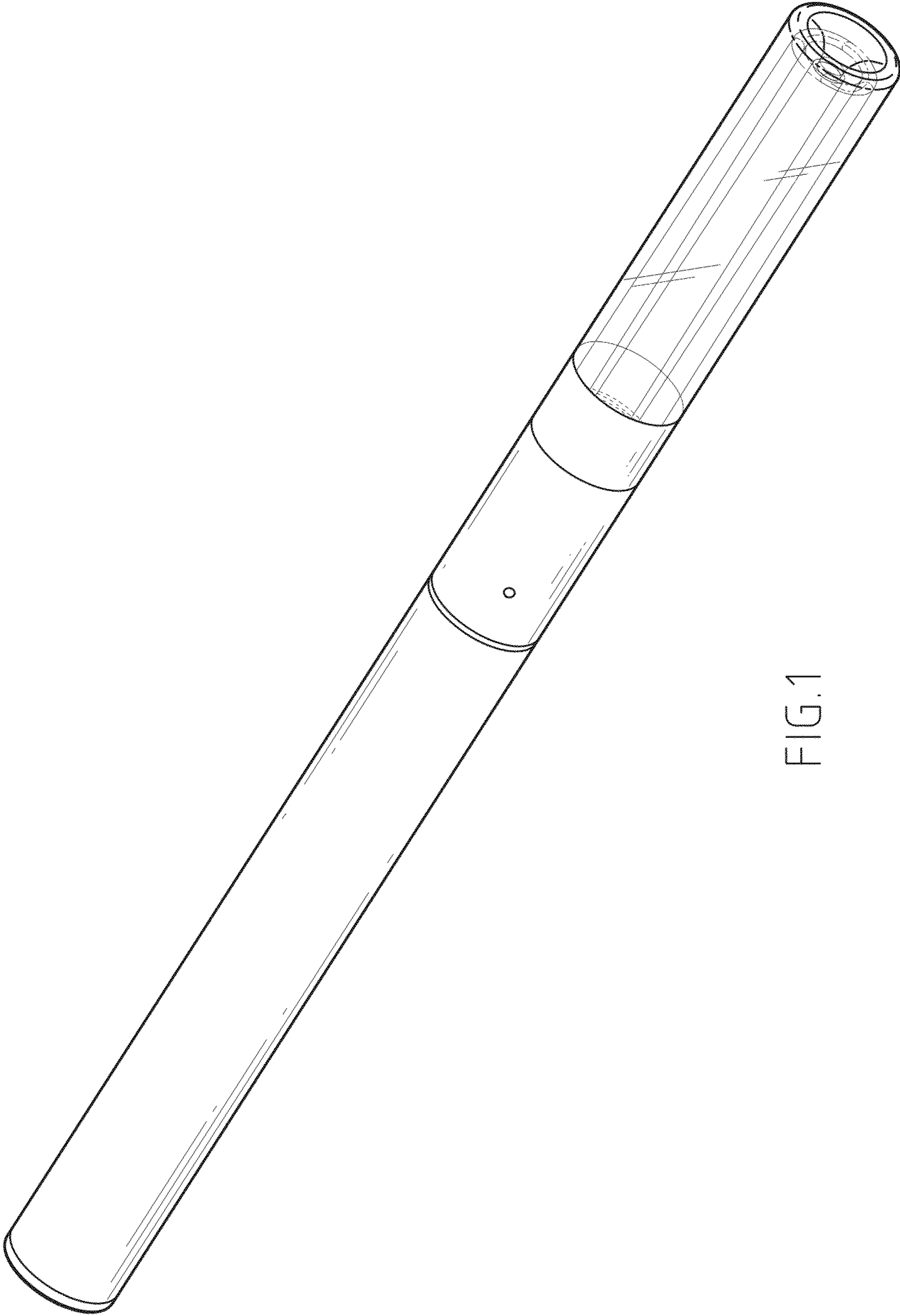


FIG.1

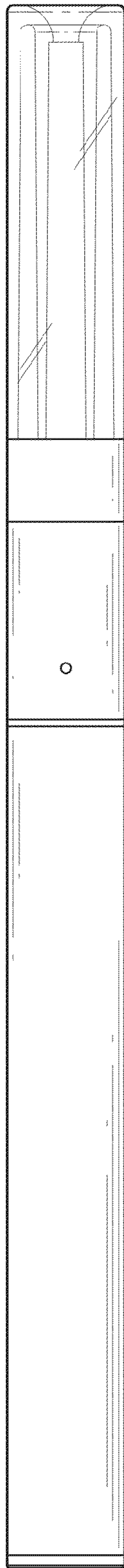


FIG. 2

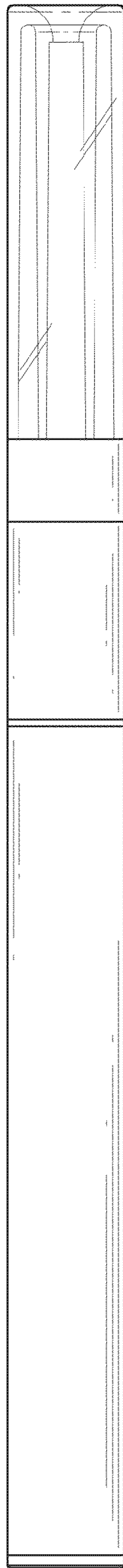


FIG. 3

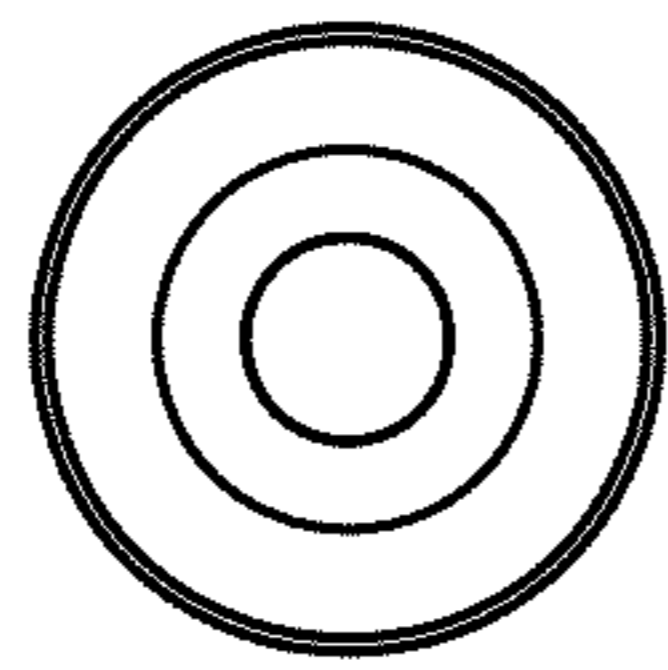


FIG. 4

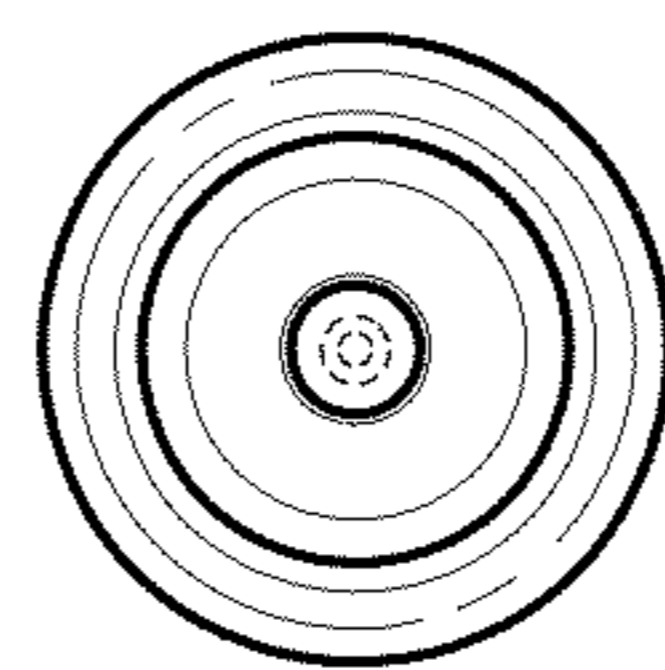


FIG. 5

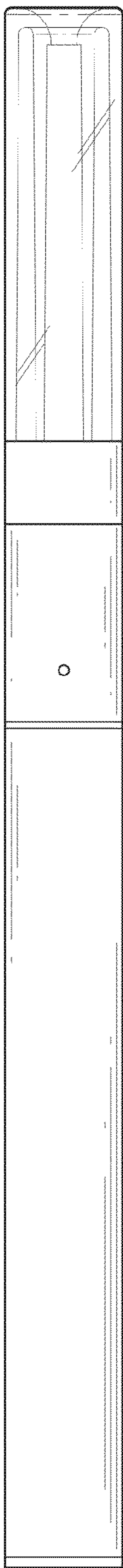


FIG. 6

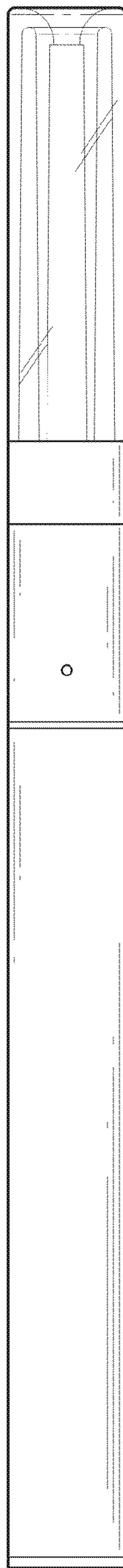


FIG. 7

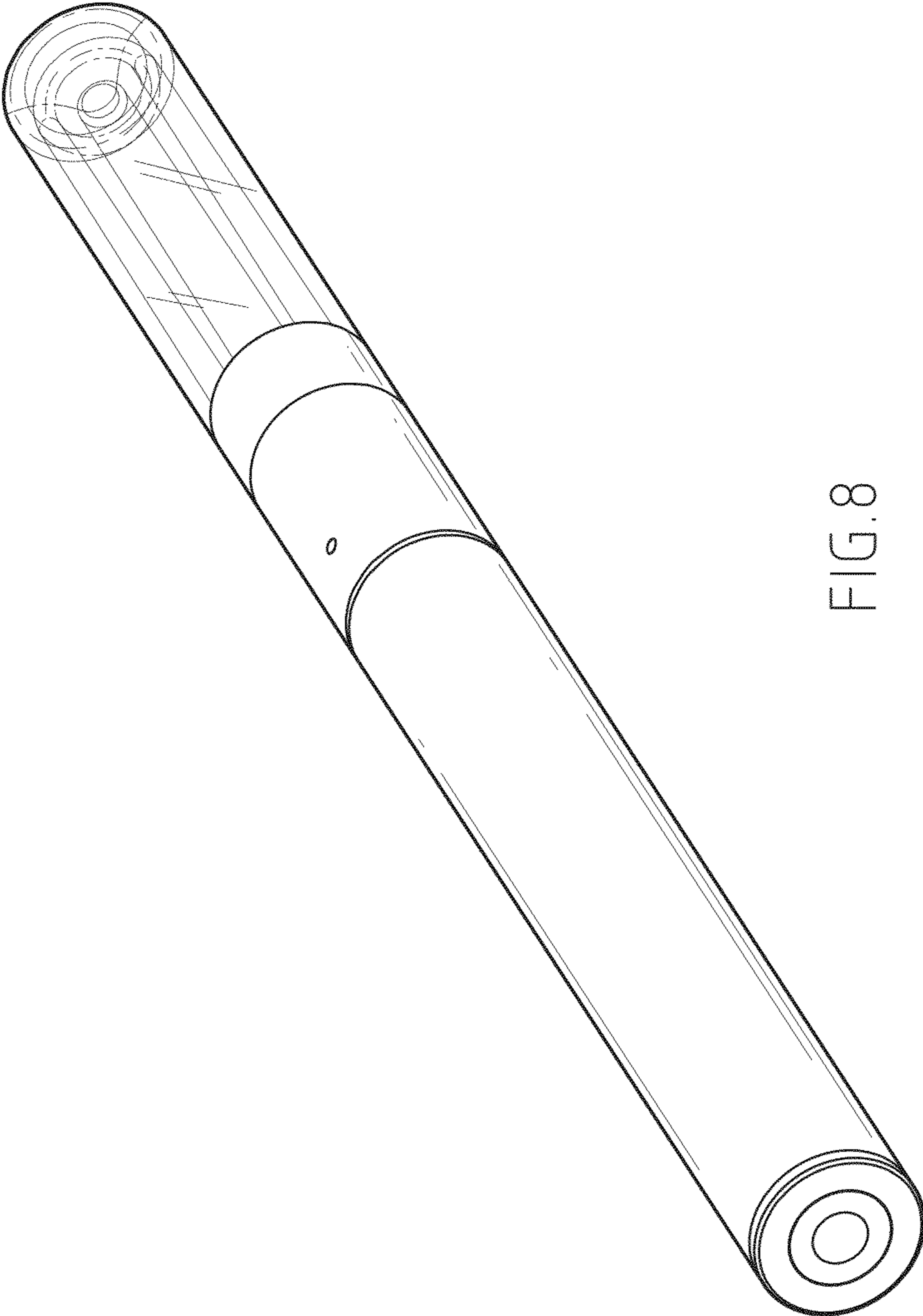


FIG. 8