



US00D758647S

(12) **United States Design Patent**
Liu

(10) **Patent No.:** **US D758,647 S**
(45) **Date of Patent:** **** Jun. 7, 2016**

- (54) **ELECTRONIC CIGARETTE**
- (71) Applicant: **Qiuming Liu**, Shenzhen (CN)
- (72) Inventor: **Qiuming Liu**, Shenzhen (CN)
- (73) Assignee: **Kimree Hi-Tech**, Tortola (VG)
- (**) Term: **14 Years**
- (21) Appl. No.: **29/488,433**
- (22) Filed: **Apr. 18, 2014**

(30) **Foreign Application Priority Data**

Feb. 25, 2014 (CN) 2014 3 0034466

- (51) **LOC (10) Cl.** **27-01**
- (52) **U.S. Cl.**
USPC **D27/101**
- (58) **Field of Classification Search**
USPC D27/100, 101, 162, 165, 194; 131/270,
131/271, 273, 329, 330, 347, 348, 360
CPC A24F 1/28; A24F 1/30; A24F 25/00;
A24F 47/002; A24F 47/004; A24F 47/006;
A24F 47/008; A24B 1/00

See application file for complete search history.

(56) **References Cited**

U.S. PATENT DOCUMENTS

- 5,893,371 A * 4/1999 Rose A24F 47/002
131/270
- D644,375 S * 8/2011 Zhou D27/101
- D688,415 S * 8/2013 Kim D27/101
- D693,053 S * 11/2013 Chen D27/101
- D695,450 S * 12/2013 Benassayag D24/110.5
- D720,094 S * 12/2014 Alima D27/101
- D720,881 S * 1/2015 Liu D27/101
- 8,955,522 B1 * 2/2015 Bowen A24F 47/008
128/202.21
- D724,782 S * 3/2015 Wu D27/101
- D728,155 S * 4/2015 Liu D27/101
- D728,156 S * 4/2015 Wu D27/101
- D729,441 S * 5/2015 Hua D27/101
- D730,571 S * 5/2015 Chen D27/101
- D732,239 S * 6/2015 Chen D27/101

- 2013/0068239 A1 * 3/2013 Youn A24F 47/008
131/273
- 2013/0180533 A1 * 7/2013 Kim A24F 47/008
131/273
- 2013/0319407 A1 * 12/2013 Liu A61M 15/06
128/202.21
- 2013/0333711 A1 * 12/2013 Liu A24F 47/002
131/329
- 2014/0041655 A1 * 2/2014 Barron A61M 11/042
128/202.21
- 2014/0174458 A1 * 6/2014 Katz A24F 47/008
131/200
- 2015/0078735 A1 * 3/2015 Cormack A24F 47/00
392/395
- 2015/0090253 A1 * 4/2015 Farrow A24F 47/008
128/200.14
- 2015/0181944 A1 * 7/2015 Li A24F 47/008
131/329
- 2015/0189916 A1 * 7/2015 Wu A24F 47/008
219/510
- 2015/0196062 A1 * 7/2015 Li A24F 47/008
131/329
- 2015/0257449 A1 * 9/2015 Gabbay A24F 47/008
392/386
- 2015/0282528 A1 * 10/2015 Liu A24F 47/008
131/329
- 2015/0282529 A1 * 10/2015 Li A24F 47/008
131/273
- 2015/0282530 A1 * 10/2015 Johnson A24F 47/002
392/387

FOREIGN PATENT DOCUMENTS

JP 1506321 9/2014

OTHER PUBLICATIONS

Japanese Office Action dated Aug. 18, 2014 corresponding to Japanese Patent App. No. 2014-008751, 3 pp.

* cited by examiner

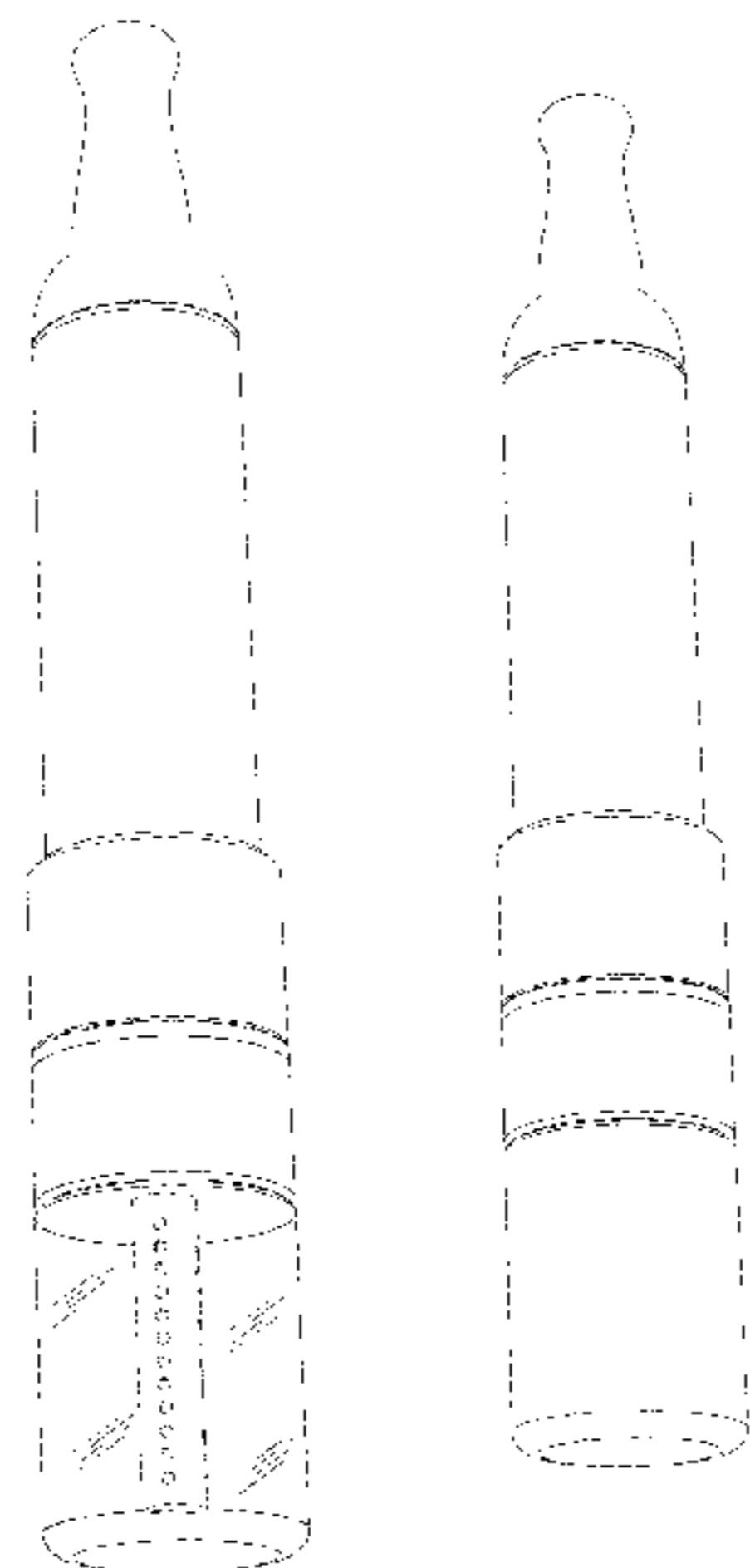
Primary Examiner — Rosemary K Tarcza

Assistant Examiner — Christy Nemeth

(74) *Attorney, Agent, or Firm* — Ohlandt, Greeley, Ruggiero & Perle, LLP

(57) **CLAIM**

The ornamental design for an electronic cigarette, as shown and described.



DESCRIPTION

FIG. 1 is a front view of an electronic cigarette according to a first embodiment of the present application;

FIG. 2 is a rear view of the electronic cigarette according to the first embodiment of the present application;

FIG. 3 is a left view of the electronic cigarette according to the first embodiment of the present application;

FIG. 4 is a right view of the electronic cigarette according to the first embodiment of the present application;

FIG. 5 is a top view of the electronic cigarette according to the first embodiment of the present application;

FIG. 6 is a bottom view of the electronic cigarette according to the first embodiment of the present application;

FIG. 7 is a perspective view of the electronic cigarette according to the first embodiment of the present application;

FIG. 8 is a perspective view of the electronic cigarette, shown in an open position, according to the first embodiment of the present application;

FIG. 9 is a front view of an electronic cigarette according to a second embodiment of the present application;

FIG. 10 is a rear view of the electronic cigarette according to the second embodiment of the present application;

FIG. 11 is a left view of the electronic cigarette according to the second embodiment of the present application;

FIG. 12 is a right view of the electronic cigarette according to the second embodiment of the present application;

FIG. 13 is a top view of the electronic cigarette according to the second embodiment of the present application;

FIG. 14 is a bottom view of the electronic cigarette according to the second embodiment of the present application;

FIG. 15 is a perspective view of the electronic cigarette according to the second embodiment of the present application; and,

FIG. 16 is a perspective view of the electronic cigarette, shown in an open position, according to the second embodiment of the present application.

The broken lines shown in the drawings are included for the purpose of illustrating environmental structure and form no part of the claimed design.

1 Claim, 16 Drawing Sheets

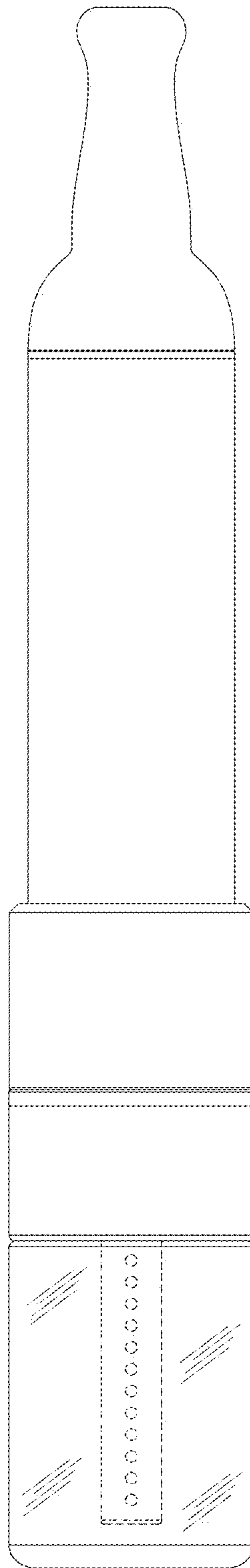


FIG. 1

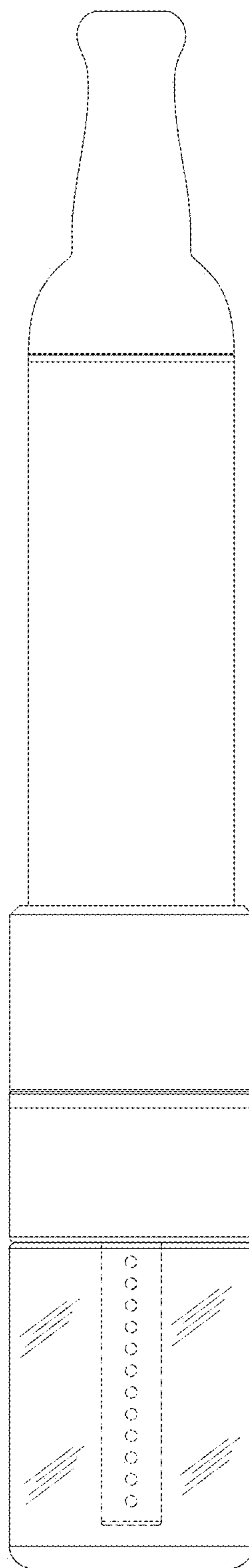


FIG. 2

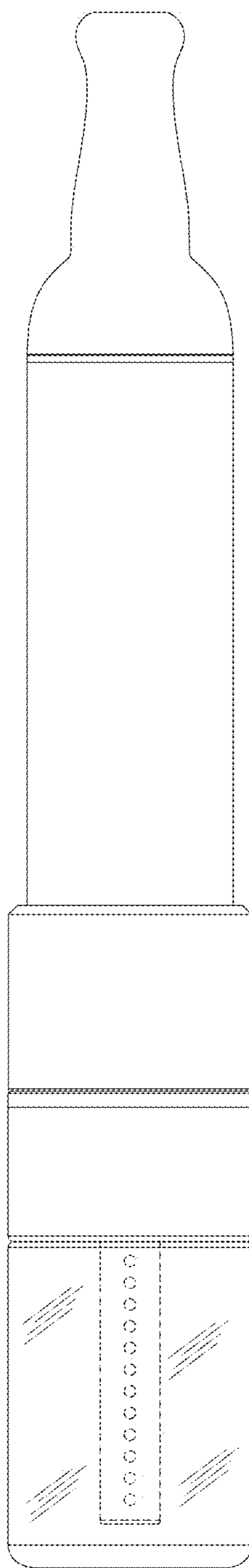


FIG. 3

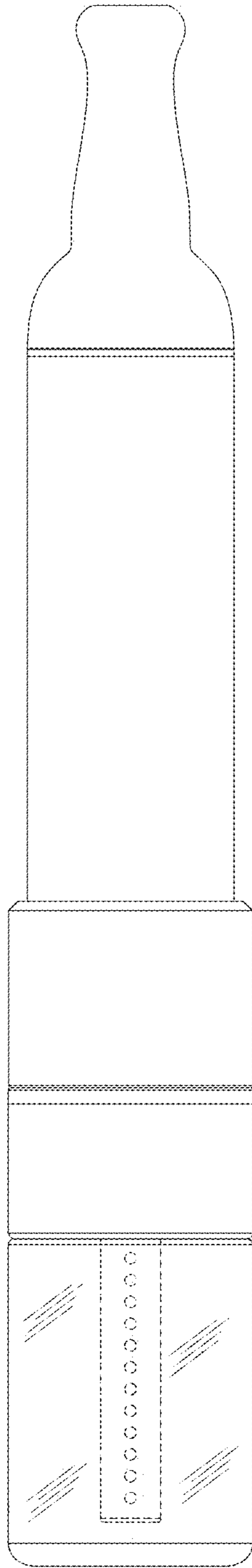


FIG. 4

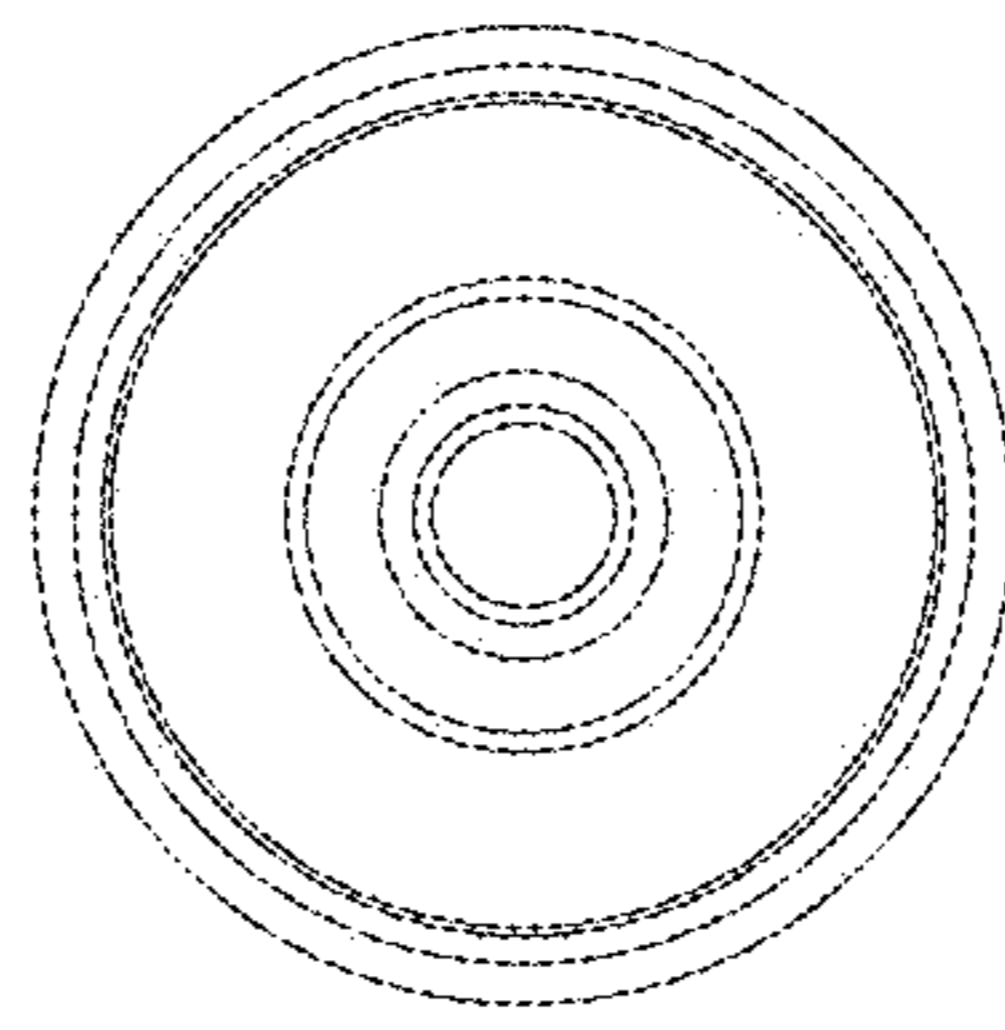


FIG. 5

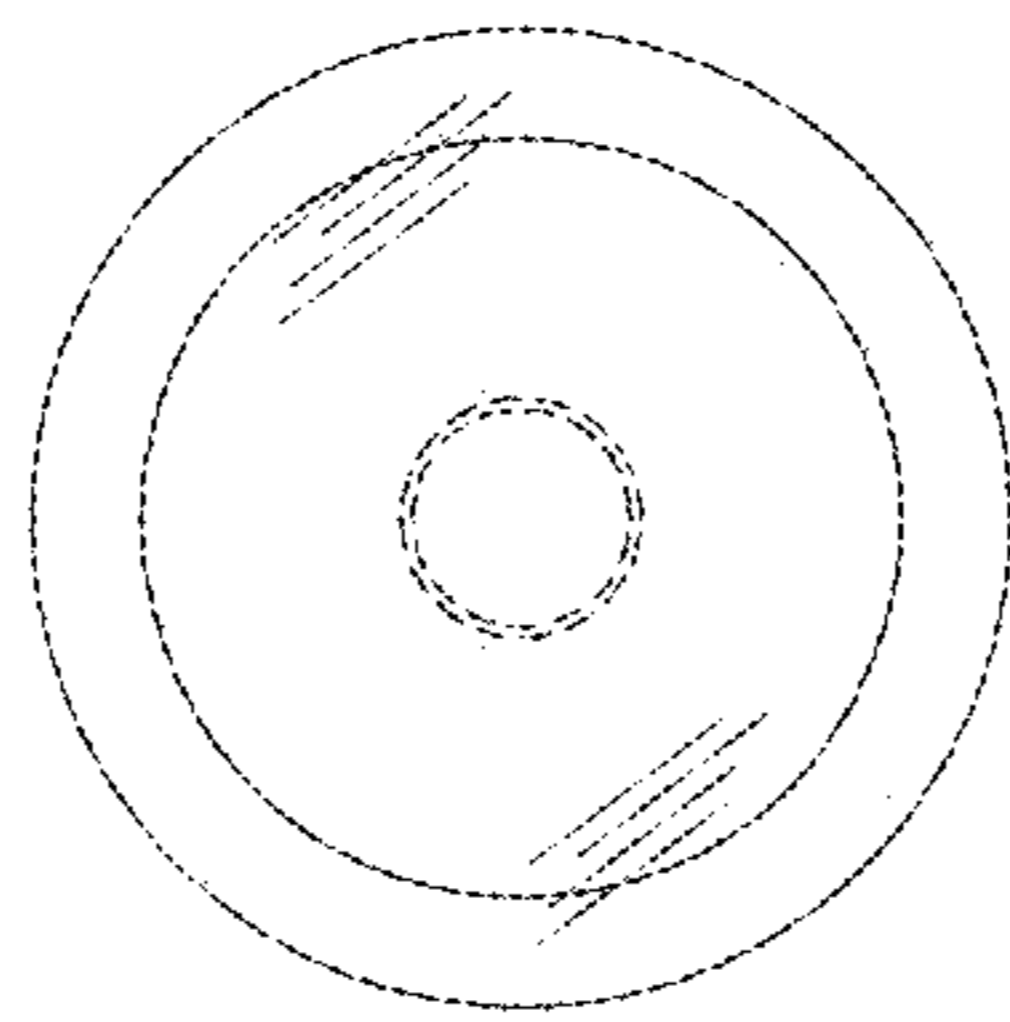


FIG. 6

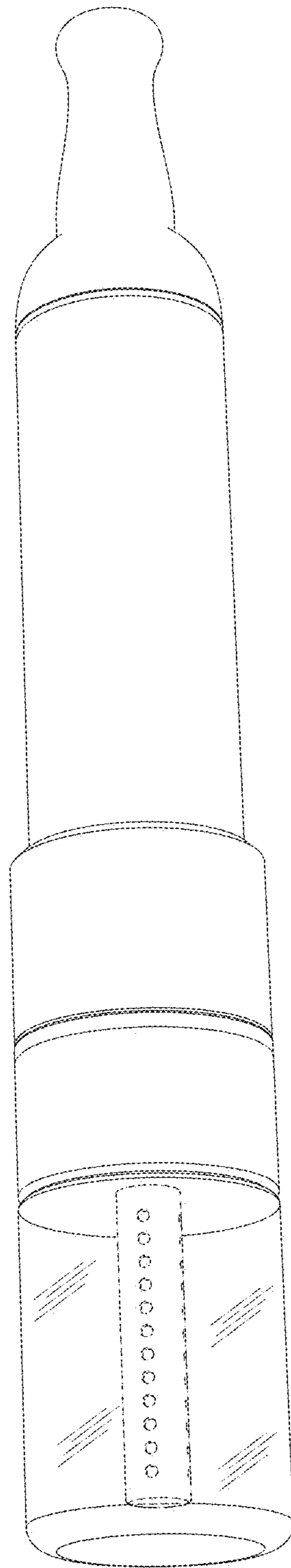


FIG. 7

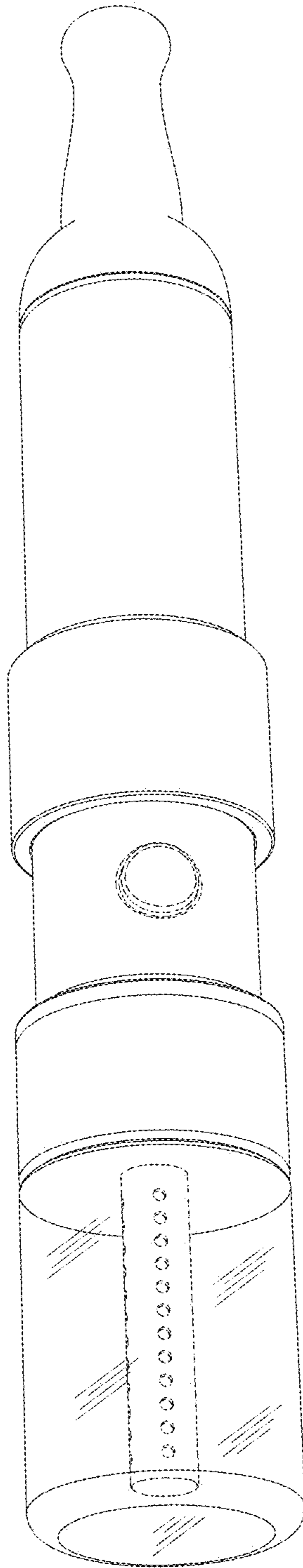


FIG. 8

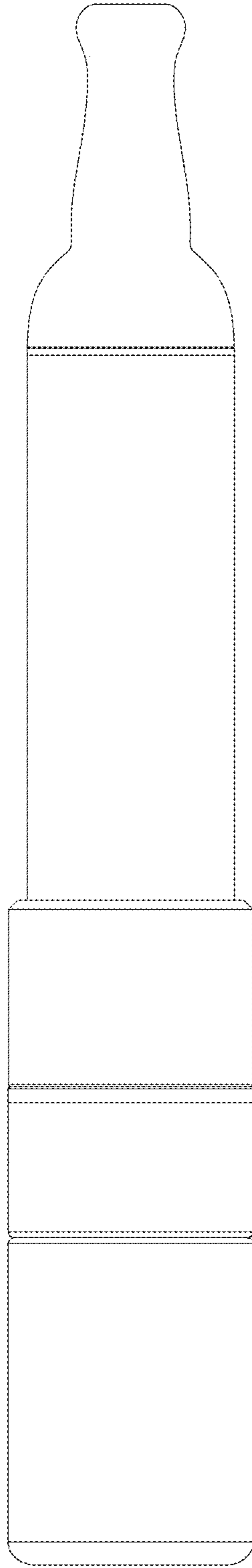


FIG. 9

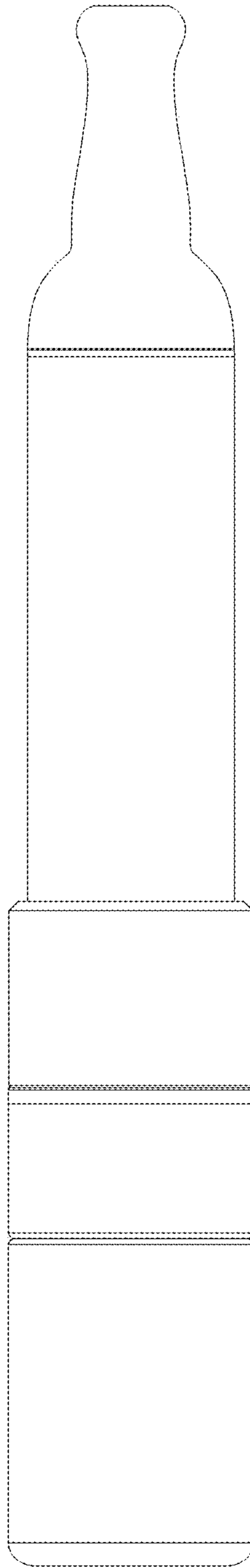


FIG. 10

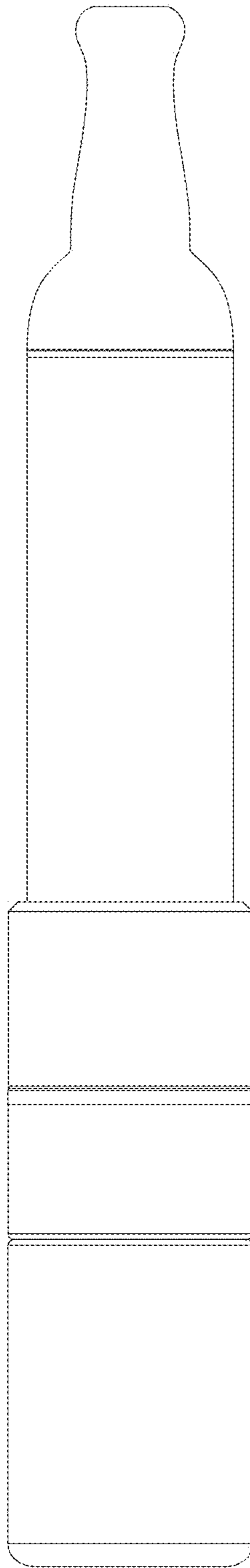


FIG. 11

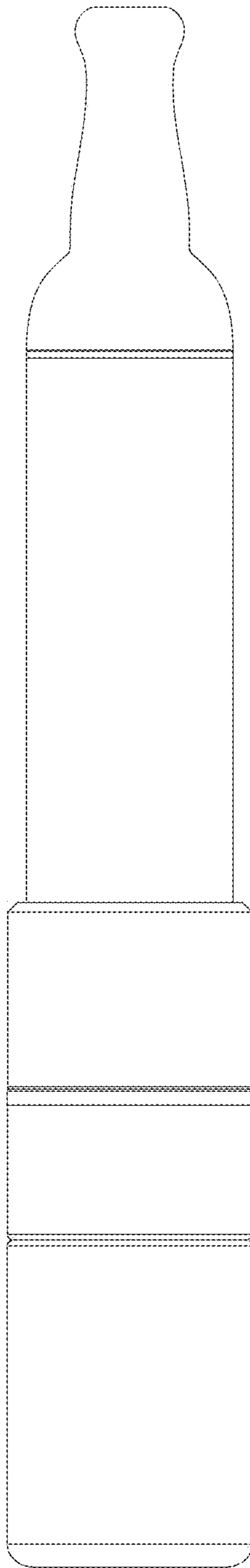


FIG. 12

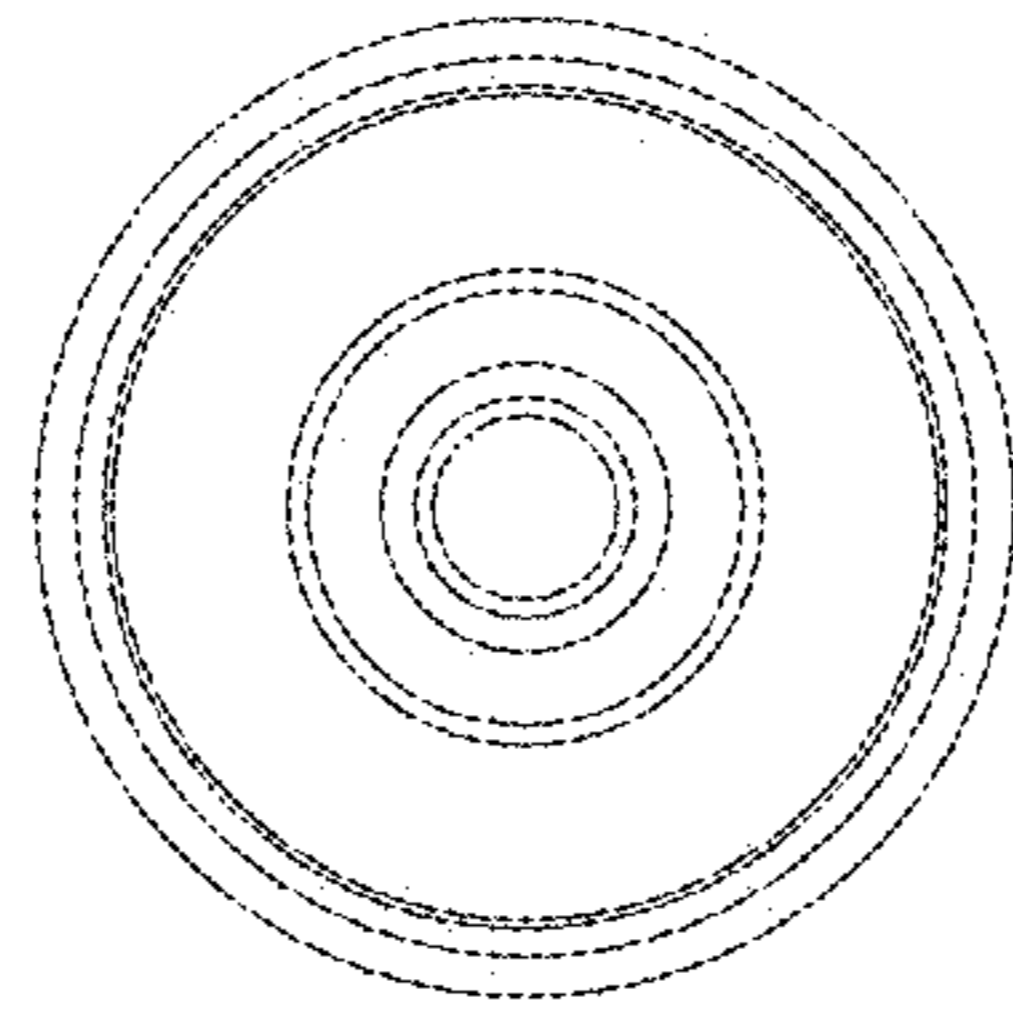


FIG. 13

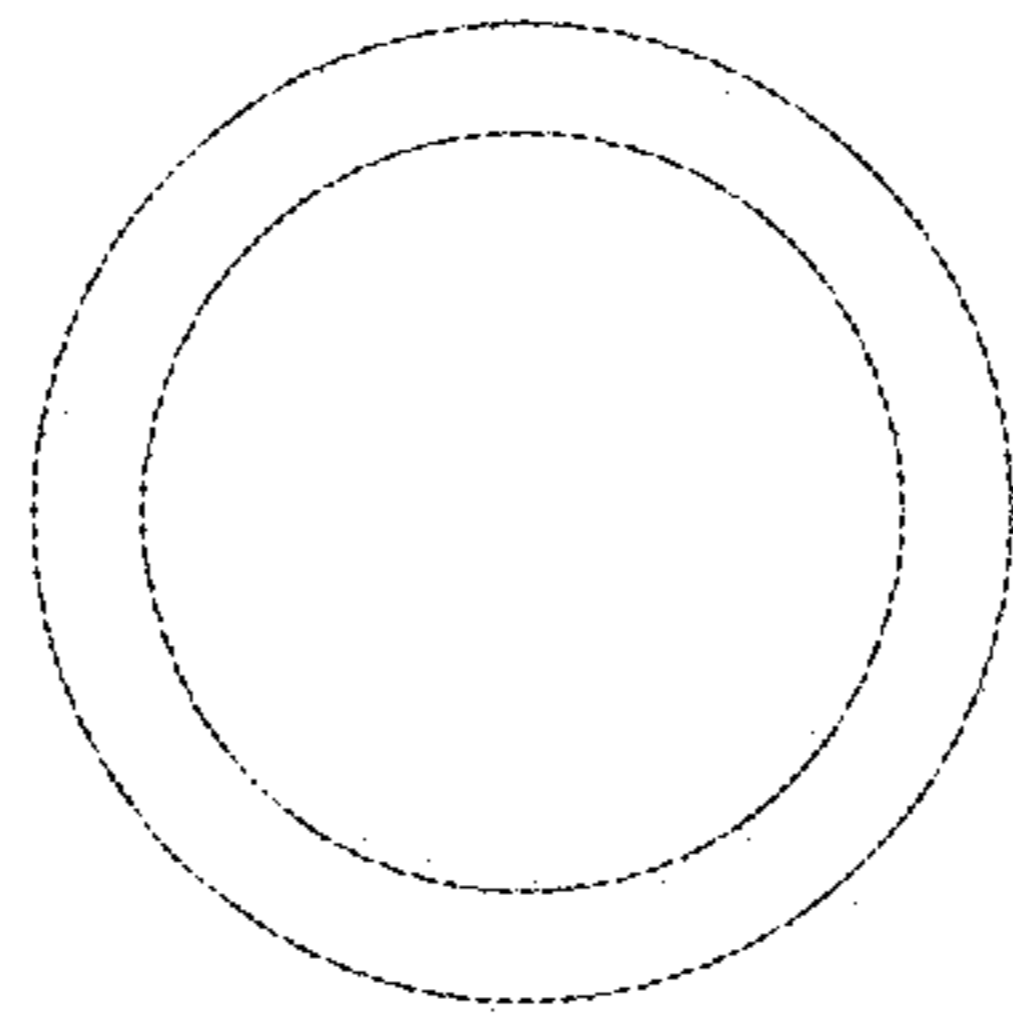


FIG. 14

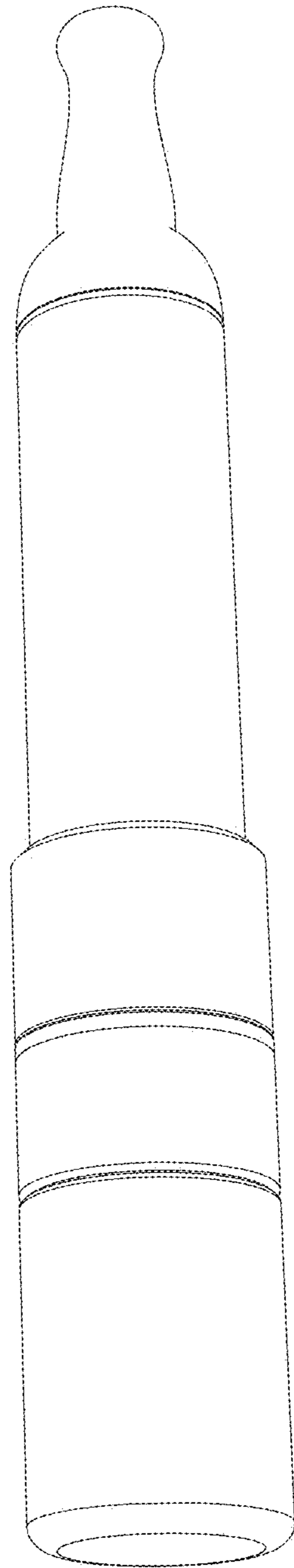


FIG. 15

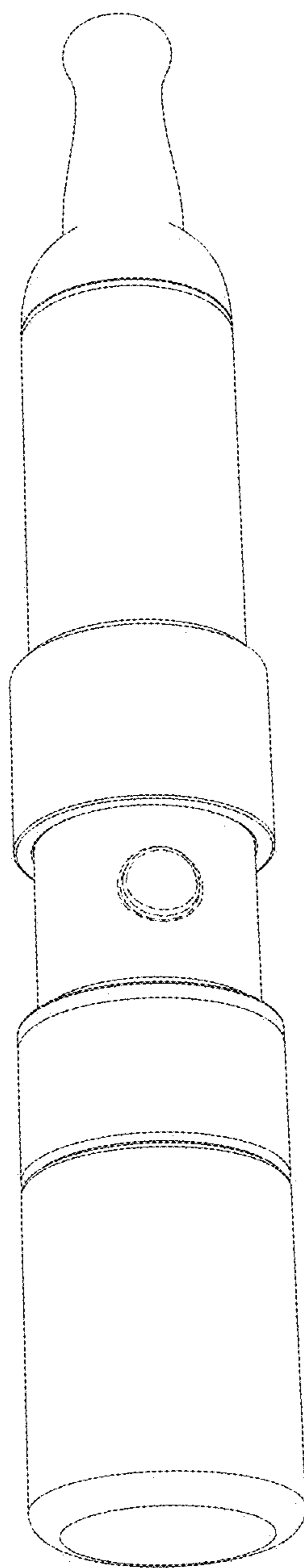


FIG. 16