



US00D758643S

(12) **United States Design Patent**
Brittain

(10) **Patent No.:** **US D758,643 S**
(45) **Date of Patent:** **** Jun. 7, 2016**

(54) **LIGHTING DEVICE**

(71) Applicant: **Rebecca Brittain**, Brooklyn, NY (US)

(72) Inventor: **Rebecca Brittain**, Brooklyn, NY (US)

(**) Term: **14 Years**

(21) Appl. No.: **29/504,037**

(22) Filed: **Oct. 1, 2014**

(51) **LOC (10) Cl.** **26-03**

(52) **U.S. Cl.**
USPC **D26/118**

(58) **Field of Classification Search**
USPC D26/24, 25, 84, 85, 91, 113, 118, 120
CPC F21S 4/00; F21S 4/001; F21S 4/003;
F21V 1/00; F21V 3/00; F21V 5/00; F21V
5/02; F21V 21/00; F21V 21/02; F21V 21/084
See application file for complete search history.

(56) **References Cited**

U.S. PATENT DOCUMENTS

D316,301 S * 4/1991 Michael D26/120
D320,668 S * 10/1991 von Kluck D26/85

D563,589 S * 3/2008 Hariri D26/84
D633,638 S * 3/2011 Vincent D26/85
D634,469 S * 3/2011 Hargreaves D26/118

* cited by examiner

Primary Examiner — Brian N Vinson

(74) *Attorney, Agent, or Firm* — Timothy W. Menasco, Esq.;
Harter Secrest & Emery LLP

(57) **CLAIM**

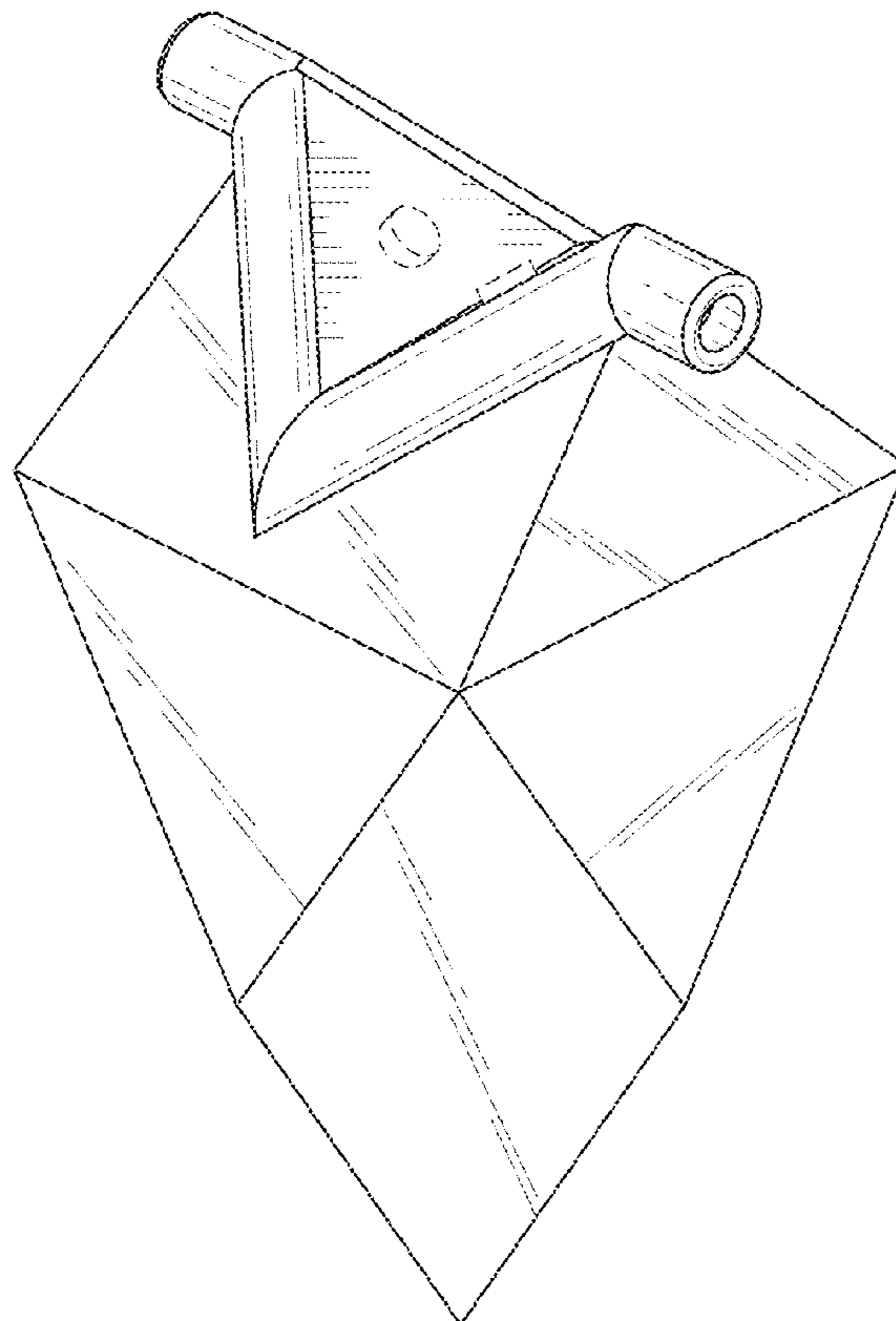
The ornamental design of a lighting device, as shown and described.

DESCRIPTION

FIG. 1 is a top side angled perspective view of a lighting device in accordance with the present disclosure;
FIG. 2 is a rear view thereof;
FIG. 3 is a front view thereof;
FIG. 4 is a top view thereof;
FIG. 5 is a right side view thereof;
FIG. 6 is a left side view thereof; and,
FIG. 7 is a bottom side view thereof.

The broken line disclosure represents portions of the lighting device which form no part of the claimed design.

1 Claim, 3 Drawing Sheets



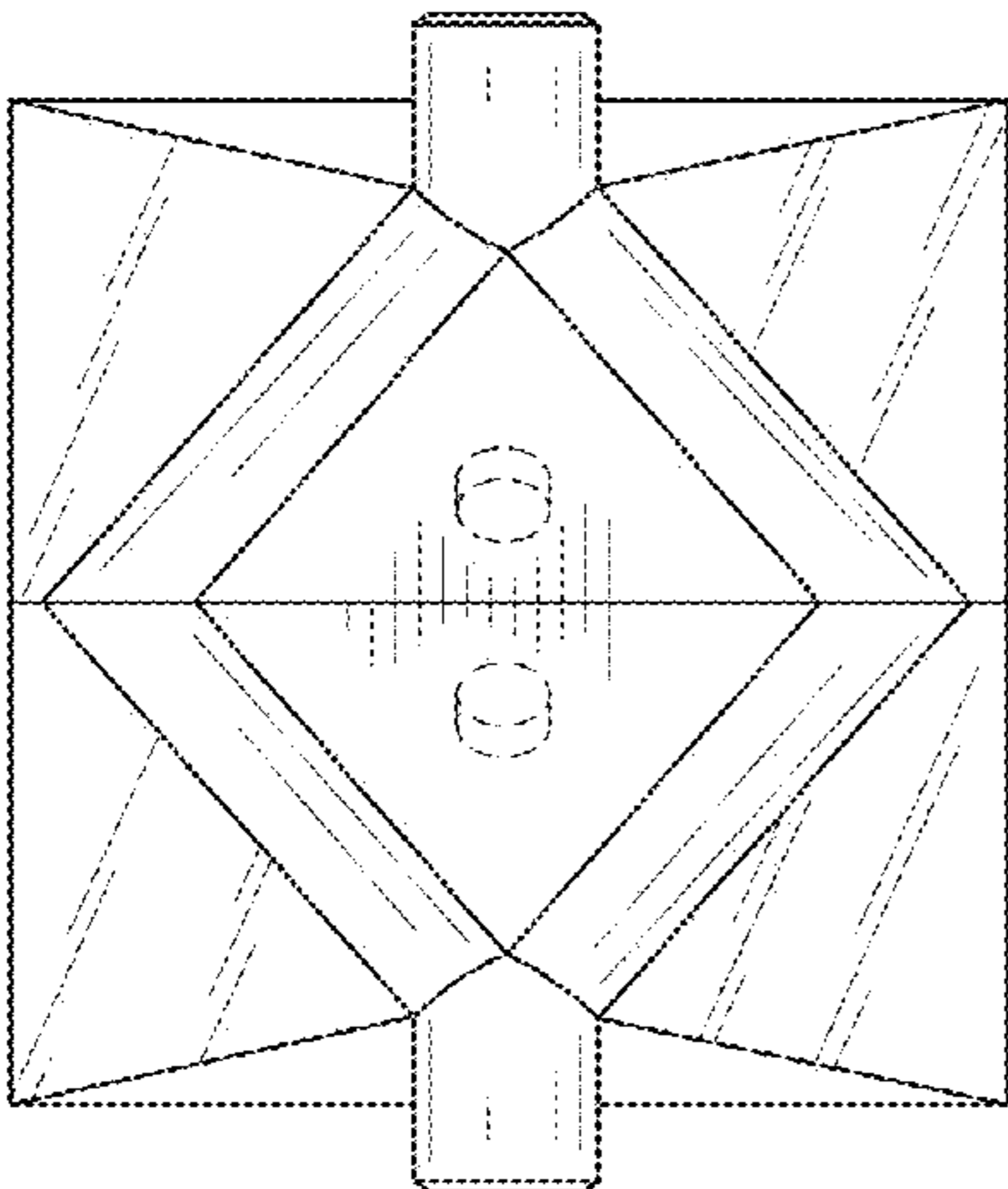


FIG. 2

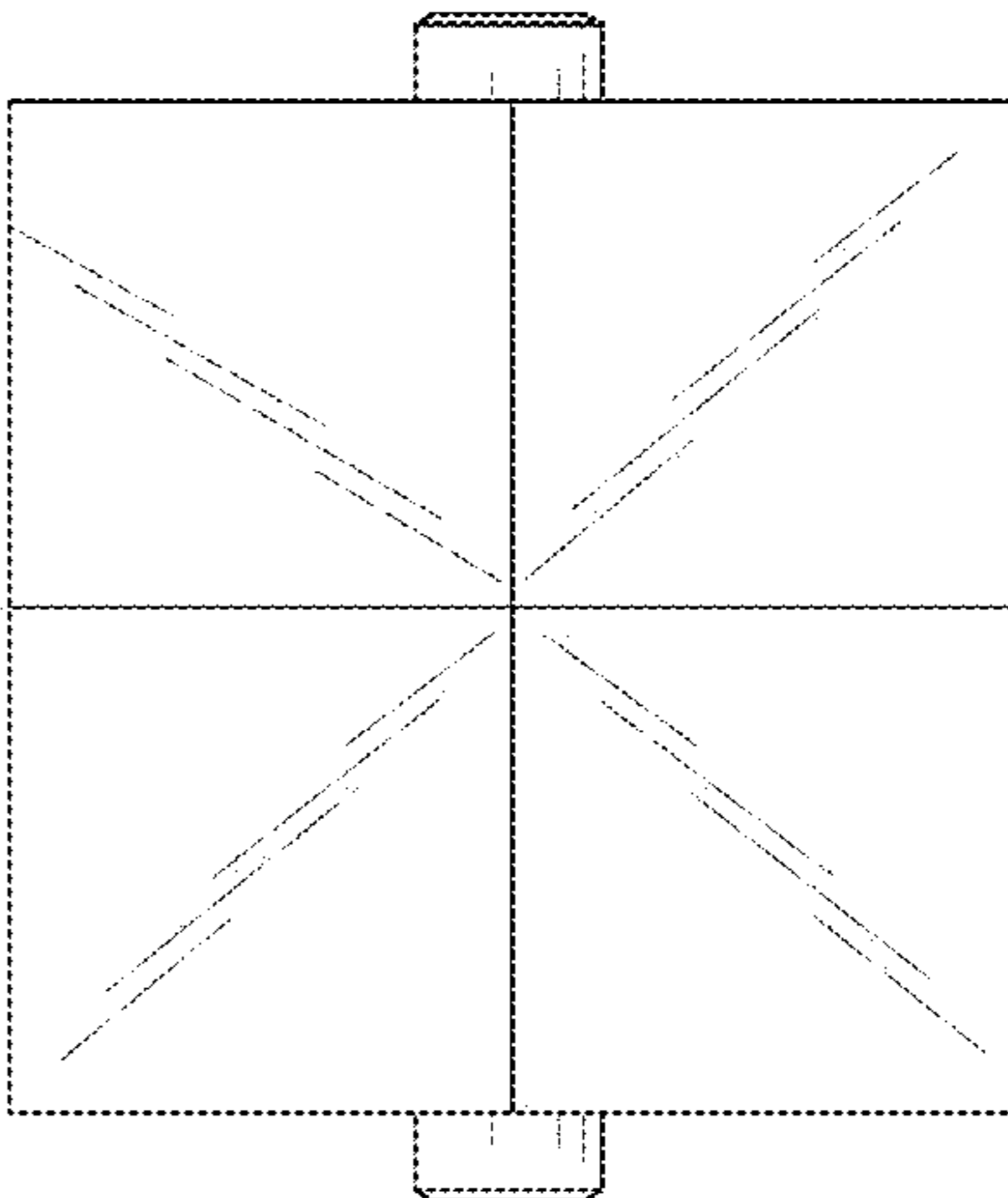


FIG. 3

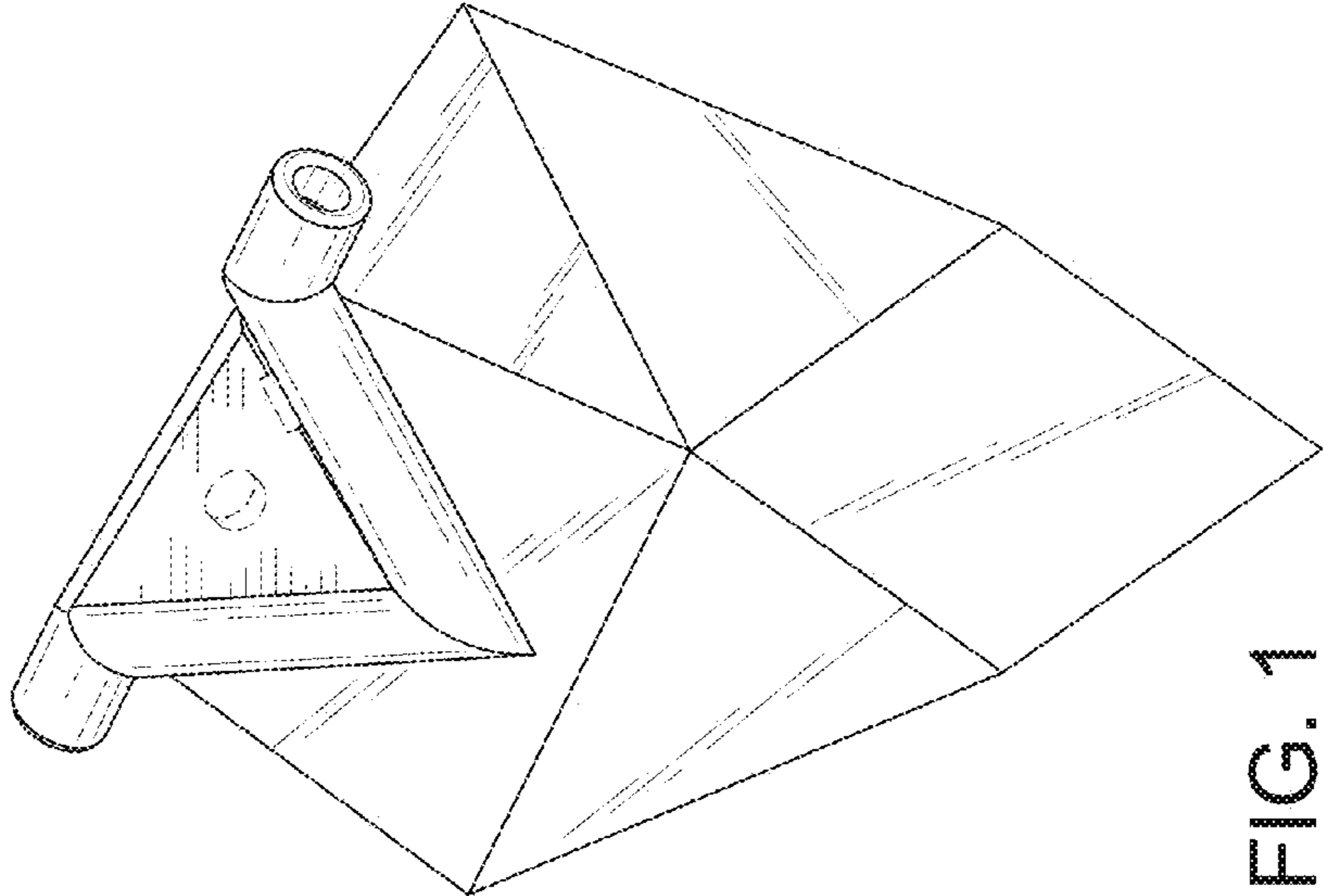


FIG. 1

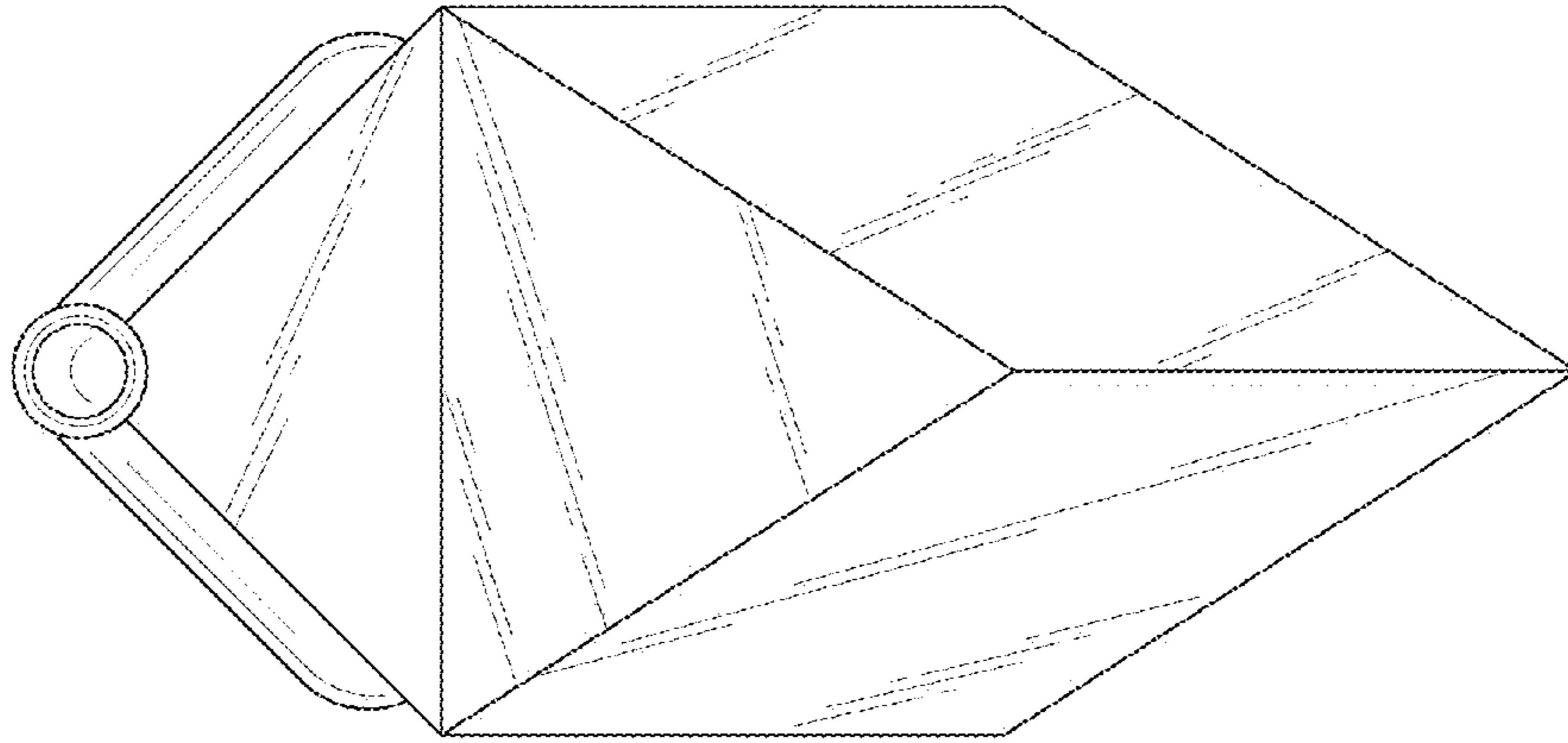


FIG. 5

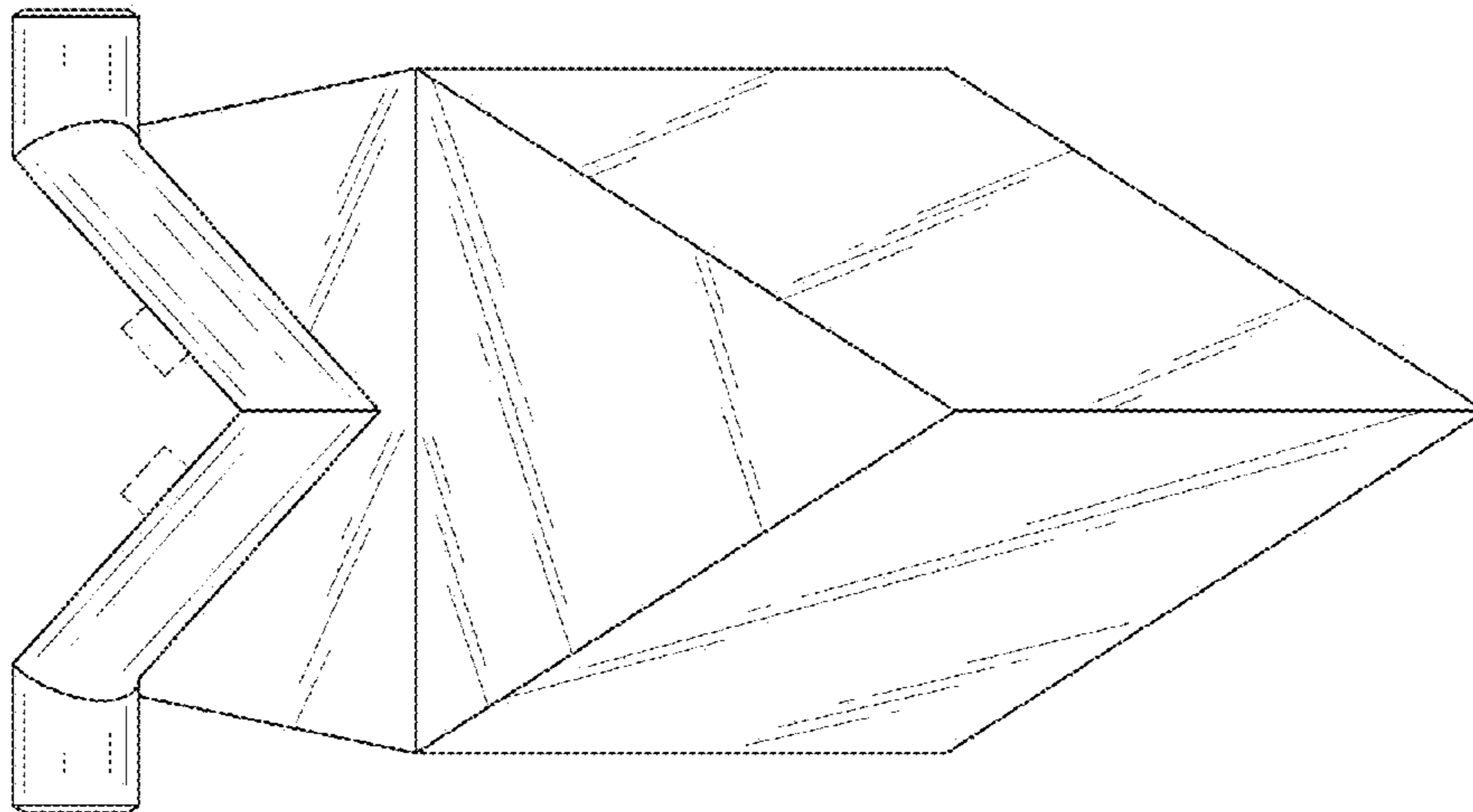


FIG. 4

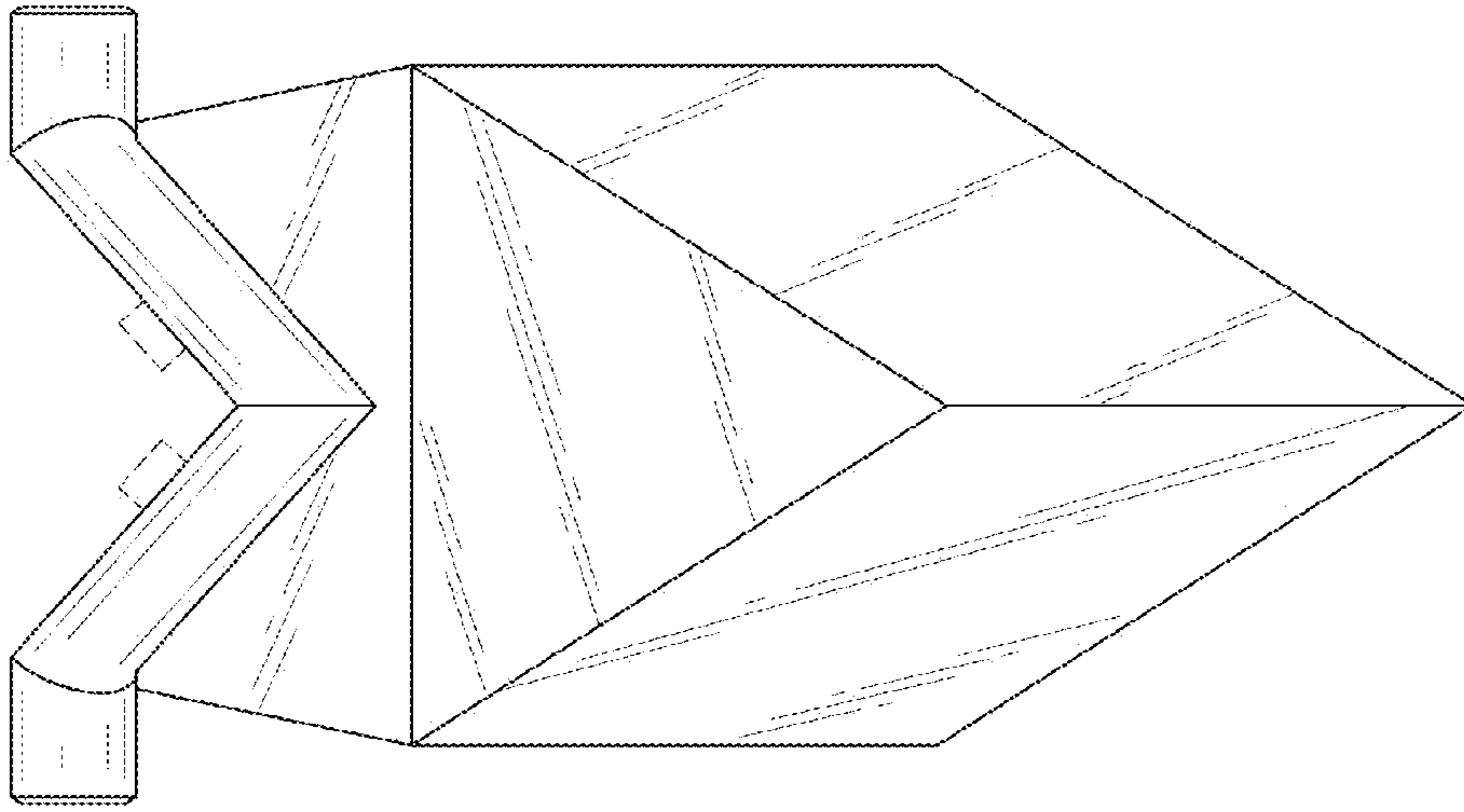


FIG. 7

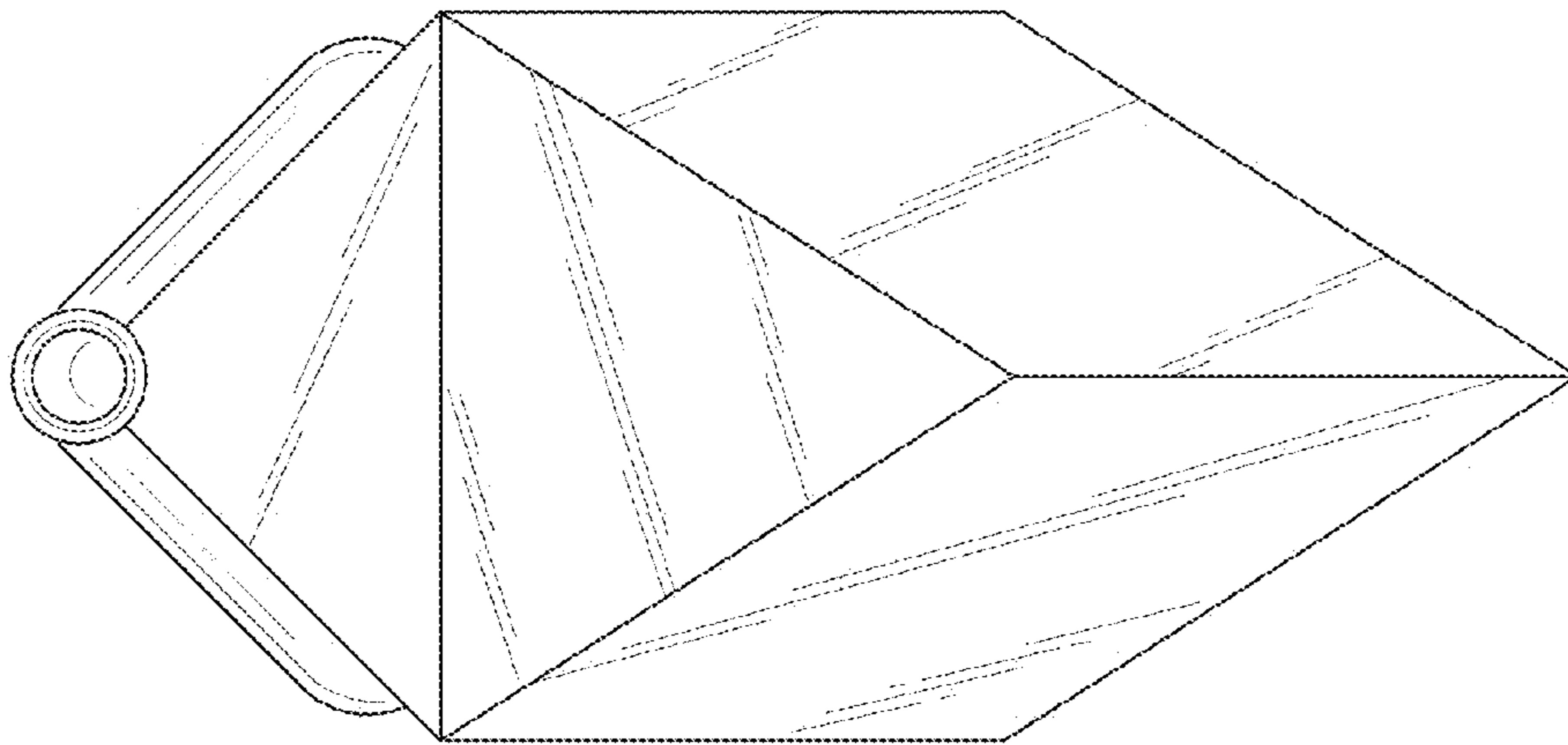


FIG. 6