



US00D758642S

(12) **United States Design Patent**
Eguchi

(10) **Patent No.:** **US D758,642 S**
(45) **Date of Patent:** **** Jun. 7, 2016**

(54) **LIGHTING FIXTURE**

(71) Applicant: **ModuleX Inc.**, Tokyo (JP)

(72) Inventor: **Satoshi Eguchi**, Tokyo (JP)

(73) Assignee: **MODULEX INC.**, Tokyo (JP)

(**) Term: **14 Years**

(21) Appl. No.: **29/495,292**

(22) Filed: **Jun. 30, 2014**

(30) **Foreign Application Priority Data**

Dec. 31, 2013 (JP) 2013-031005

(51) **LOC (10) Cl.** **26-99**

(52) **U.S. Cl.**

USPC **D26/113; D26/118**

(58) **Field of Classification Search**

USPC D10/18, 21, 24, 25, 27, 28, 46, 93, 104,
D10/106, 113, 116.1, 121; D26/72, 118,
D26/120, 124, 138

CPC A63H 30/04; G05G 2009/04748;
H04B 1/1027; F21S 8/04; F21S 2/005;
F21S 2/00; B29D 21/04; F21V 15/015;
F21V 27/00; F21V 21/14; F21V 21/005;
F21Y 2103/00

See application file for complete search history.

(56) **References Cited**

U.S. PATENT DOCUMENTS

3,159,106 A * 12/1964 Schumbacker B23K 9/0026
219/76.11

D340,514 S * 10/1993 Liao D23/328

D421,798 S * 3/2000 Liang D23/370

D443,281 S * 6/2001 Sodergard D15/7

D506,820 S * 6/2005 Meng-Suen D23/377

D511,824 S * 11/2005 Chen D23/370

D535,011 S * 1/2007 Gajewski D23/377

D535,780 S * 1/2007 Mier-Langner D26/155

D557,445 S * 12/2007 Blum D26/86

D575,749 S * 8/2008 Hwang D13/179

D577,807 S * 9/2008 Kenyon D23/379

D579,883 S * 11/2008 Hwang D13/179

D581,583 S * 11/2008 Peng D26/135

D585,589 S * 1/2009 Alexander D26/118

D586,498 S * 2/2009 Wu D26/118

D597,704 S * 8/2009 Peng D26/118

D599,950 S * 9/2009 Sabernig D26/136

D600,850 S * 9/2009 Maxik D26/113

D608,491 S * 1/2010 Zaderej D26/118

D608,493 S * 1/2010 Zaderej D26/123

D609,800 S * 2/2010 Chen D23/385

D610,545 S * 2/2010 Coushaine D13/134

D620,182 S * 7/2010 Sabernig D26/88

D626,094 S * 10/2010 Alexander D13/179

D627,727 S * 11/2010 Alexander D13/134

D628,156 S * 11/2010 Alexander D13/134

D629,549 S * 12/2010 Feigenbaum D26/63

D630,721 S * 1/2011 Kenyon D23/379

D633,649 S * 3/2011 Tickner D26/123

D645,950 S * 9/2011 Kenyon D23/379

D647,222 S * 10/2011 Le D26/2

D648,056 S * 11/2011 Muehlhaeusler D26/63

D654,210 S * 2/2012 Bushre D26/113

D668,366 S * 10/2012 Sakamoto D26/2

D669,620 S * 10/2012 Rashidi D26/74

D672,899 S * 12/2012 Van De Ven D26/74

D674,960 S * 1/2013 Chen D26/113

D676,597 S * 2/2013 Zhu D26/131

D680,893 S * 4/2013 Adams D10/114.1

D685,519 S * 7/2013 Teranishi D26/118

D690,049 S * 9/2013 Rashidi D26/74

D690,450 S * 9/2013 Guercio D26/72

D697,651 S * 1/2014 Carpenter D26/74

D701,300 S * 3/2014 Tanabe D23/379

D705,981 S * 5/2014 Cegnar D26/128

D711,580 S * 8/2014 Ho D26/93

D712,580 S * 9/2014 Kliegl D26/63

D712,590 S * 9/2014 Lin D26/138

D713,837 S * 9/2014 Chul Kim D14/253

D715,474 S * 10/2014 Janos D26/63

D715,479 S * 10/2014 Johnston D26/113

D718,874 S * 12/2014 Koren D24/232

D721,449 S * 1/2015 Chen D26/26

D726,363 S * 4/2015 Danesh D26/138

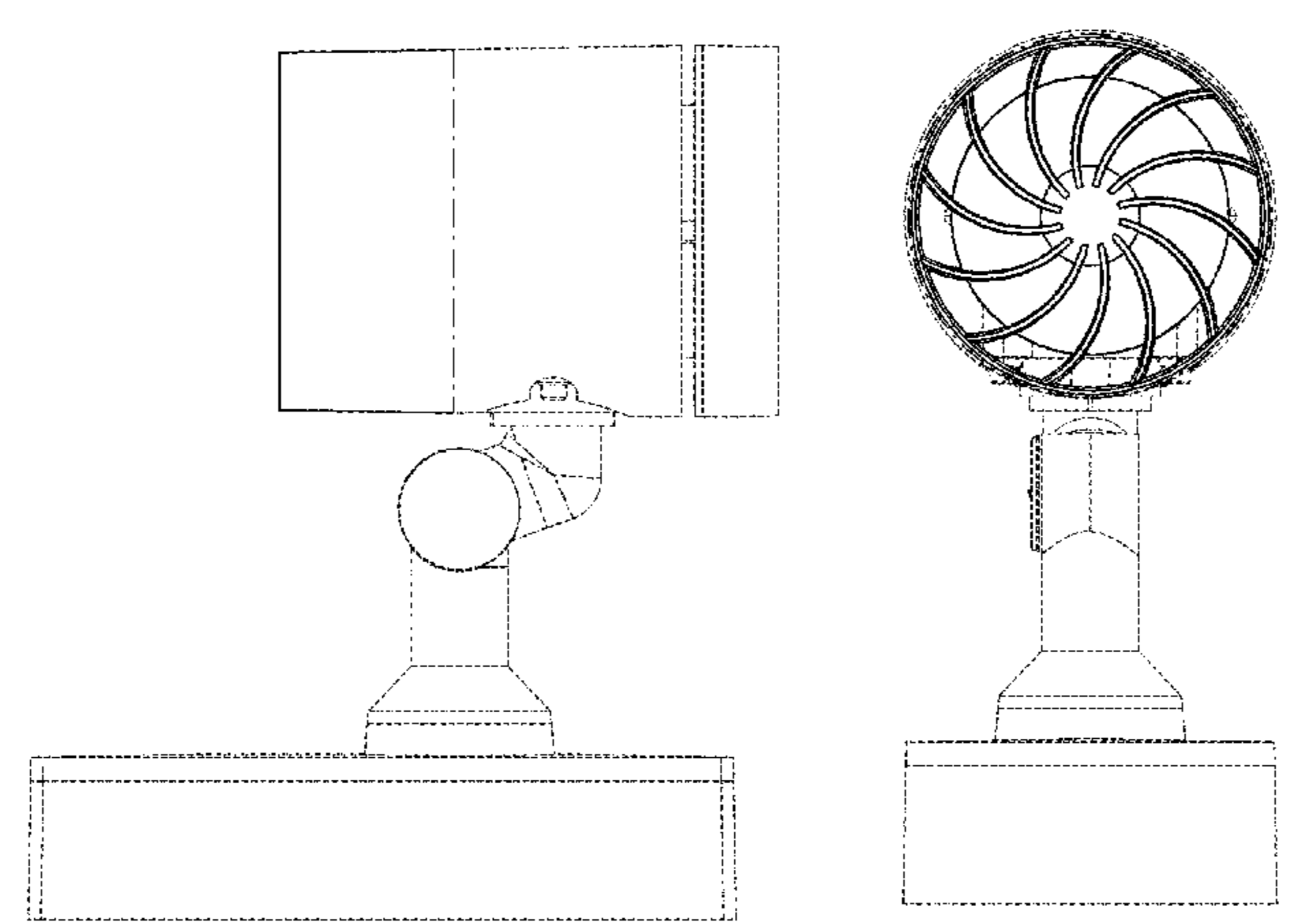
D731,688 S * 6/2015 Piano D26/63

D733,601 S * 7/2015 Solow D10/121

2011/0002122 A1 * 1/2011 Tsao F21S 8/033
362/277

OTHER PUBLICATIONS

Par can lighting instruments—TinEye, image post date Sep. 5, 2010, site visited Sep. 30, 2015, (online), <<https://www.tineye.com/search/041a498192d9ac10a2f5b35d31529dceb824d4bc/>>.*



Super Spiral Turbo Ventilator—TinEye, image post date Nov. 2, 2014, site visited Sep. 16, 2015, (online), <<https://www.tineye.com/search/cf8b813251bf384aad3817445e4a85e119f5922d/?pluginver=>>>.*

* cited by examiner

Primary Examiner — Kevin Rudzinski

Assistant Examiner — Sean D Lough

(74) *Attorney, Agent, or Firm* — Browdy and Neimark, PLLC

(57)

CLAIM

The ornamental design for the lighting fixture, as shown and described.

DESCRIPTION

FIG. 1 is a front view of a lighting fixture according to the present design;
FIG. 2 is a cross-sectional view along the lines 2-2 of FIG. 1;
FIG. 3 is a rear view of the lighting fixture of FIG. 1;
FIG. 4 is a right side view of the lighting fixture of FIG. 1;
FIG. 5 is a left side view of the lighting fixture of FIG. 1;
FIG. 6 is a cross-sectional view along the lines 6-6 of FIG. 5;
FIG. 7 is a cross-sectional view along the lines 7-7 of FIG. 5;
FIG. 8 is a top view of the lighting fixture of FIG. 1;
FIG. 9 is a bottom view of the lighting fixture of FIG. 1;
FIG. 10 is a front perspective view of the lighting fixture of FIG. 1 depicted with simplified environment;
FIG. 11 is a front view of the lighting fixture instrument of FIG. 10 the rear view being symmetrical;

FIG. 12 is a cross-sectional view along the lines 12-12 of FIG. 11;
FIG. 13 is a cross-sectional view along the lines 13-13 of FIG. 11;
FIG. 14 is a rear perspective of the lighting fixture of FIG. 10;
FIG. 15 is a right side view of the lighting fixture of FIG. 10;
FIG. 16 is a cross-sectional view along the lines 16-16 of FIG. 15;
FIG. 17 is a cross-sectional view along the lines 17-17 of FIG. 15;
FIG. 18 is a cross-sectional view along the lines 18-18 of FIG. 16;
FIG. 19 is a cross-sectional view along the lines 19-19 of FIG. 16;
FIG. 20 is a cross-sectional view along the lines 20-20 of FIG. 16;
FIG. 21 is a cross-sectional view along the lines 21-21 of FIG. 16;
FIG. 22 is a cross-sectional view along the lines 22-22 of FIG. 16;
FIG. 23 is a left side view of the lighting fixture of FIG. 10;
FIG. 24 is a cross-sectional view along the lines 24-24 of FIG. 23;
FIG. 25 is a top view of the lighting fixture of FIG. 10; and, FIG. 26 is a bottom view of the lighting fixture of FIG. 10.
The broken lines in all FIGS. illustrate environment of the lighting fixture that forms no part of the claimed design. Further, the dot-dash lines visible in FIGS. 1, 3, 6-8, 10, 11, 14, 16, 17, and 24-26 represents a terminating boarder of the claimed design the dot-dash line itself and any area beyond said dot-dash line form no part of the claimed design.

1 Claim, 26 Drawing Sheets

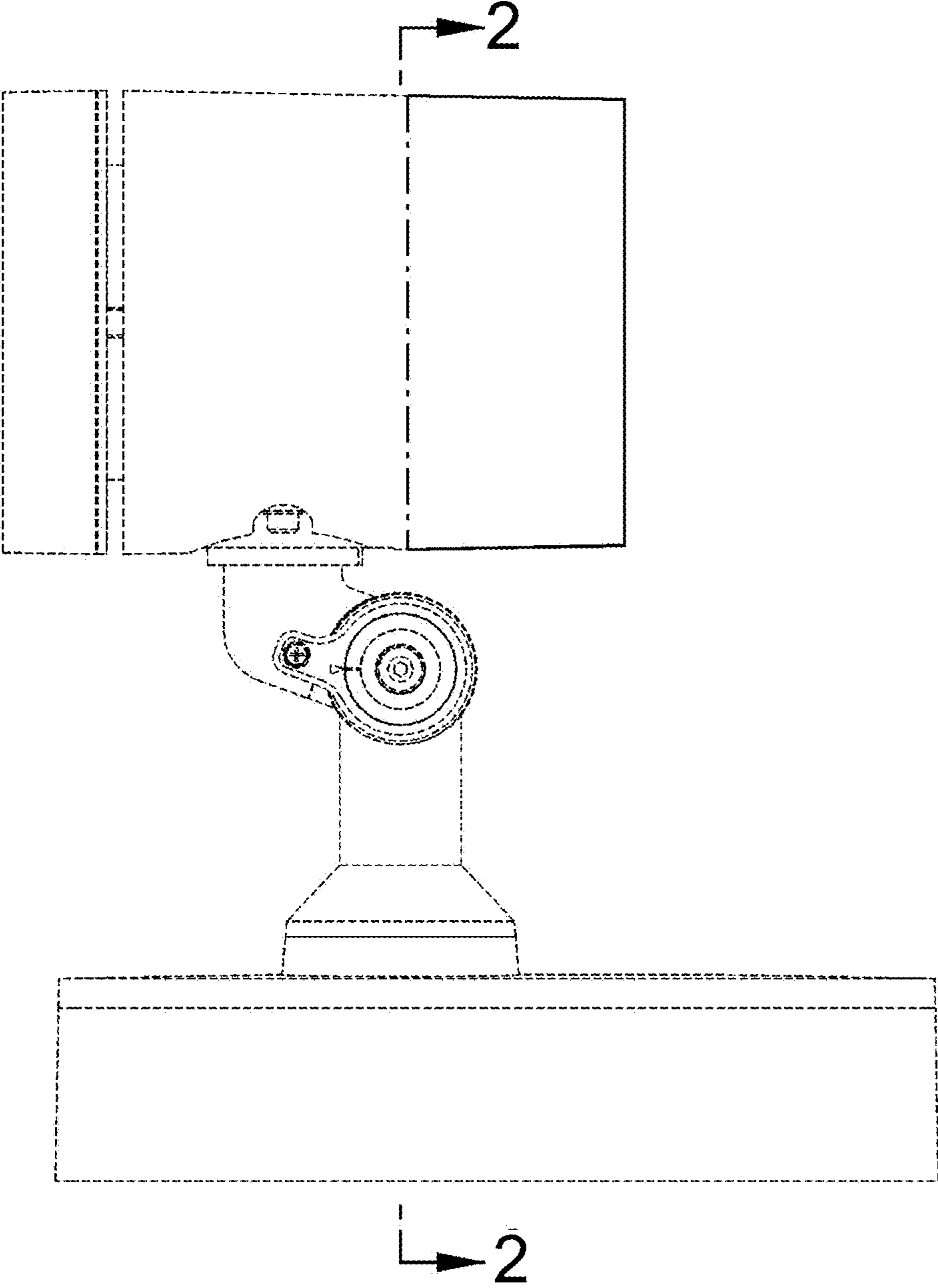


FIG. 1

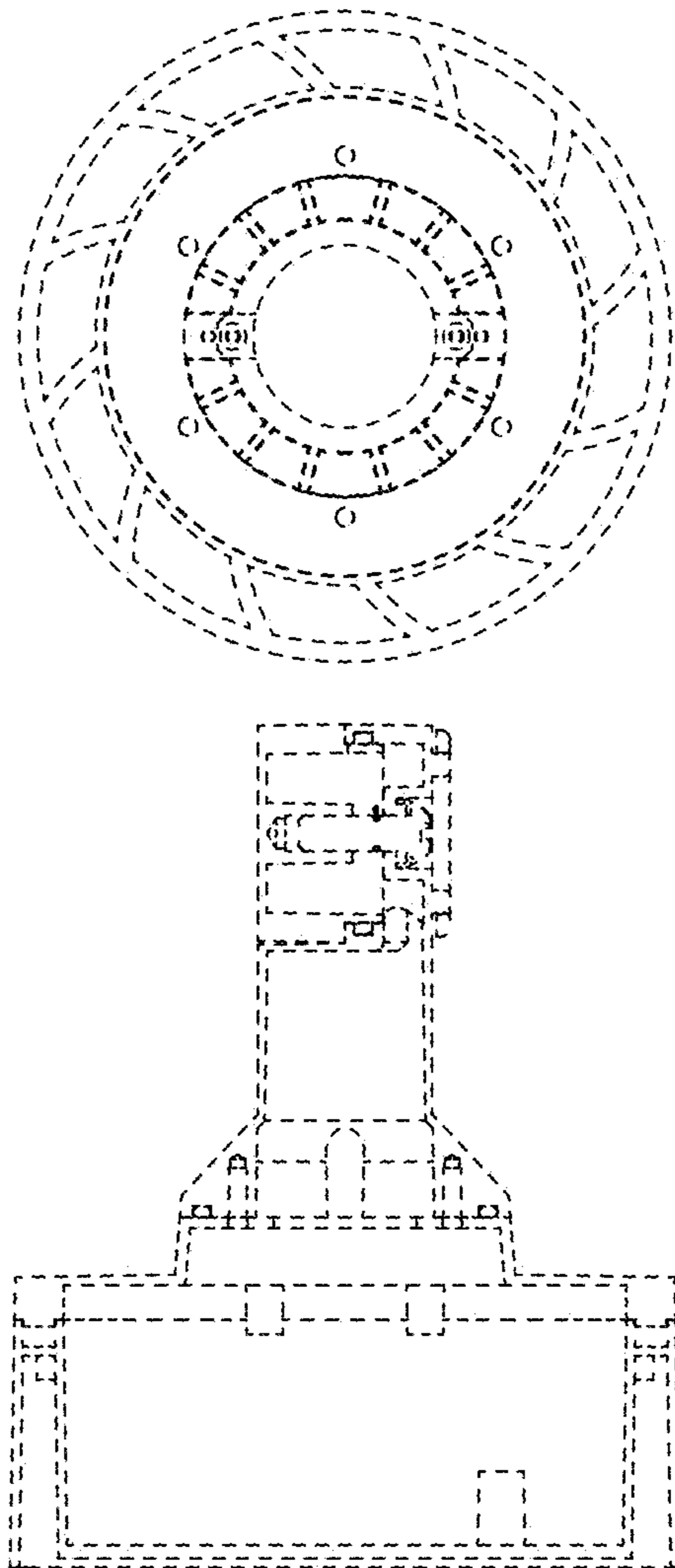


FIG. 2

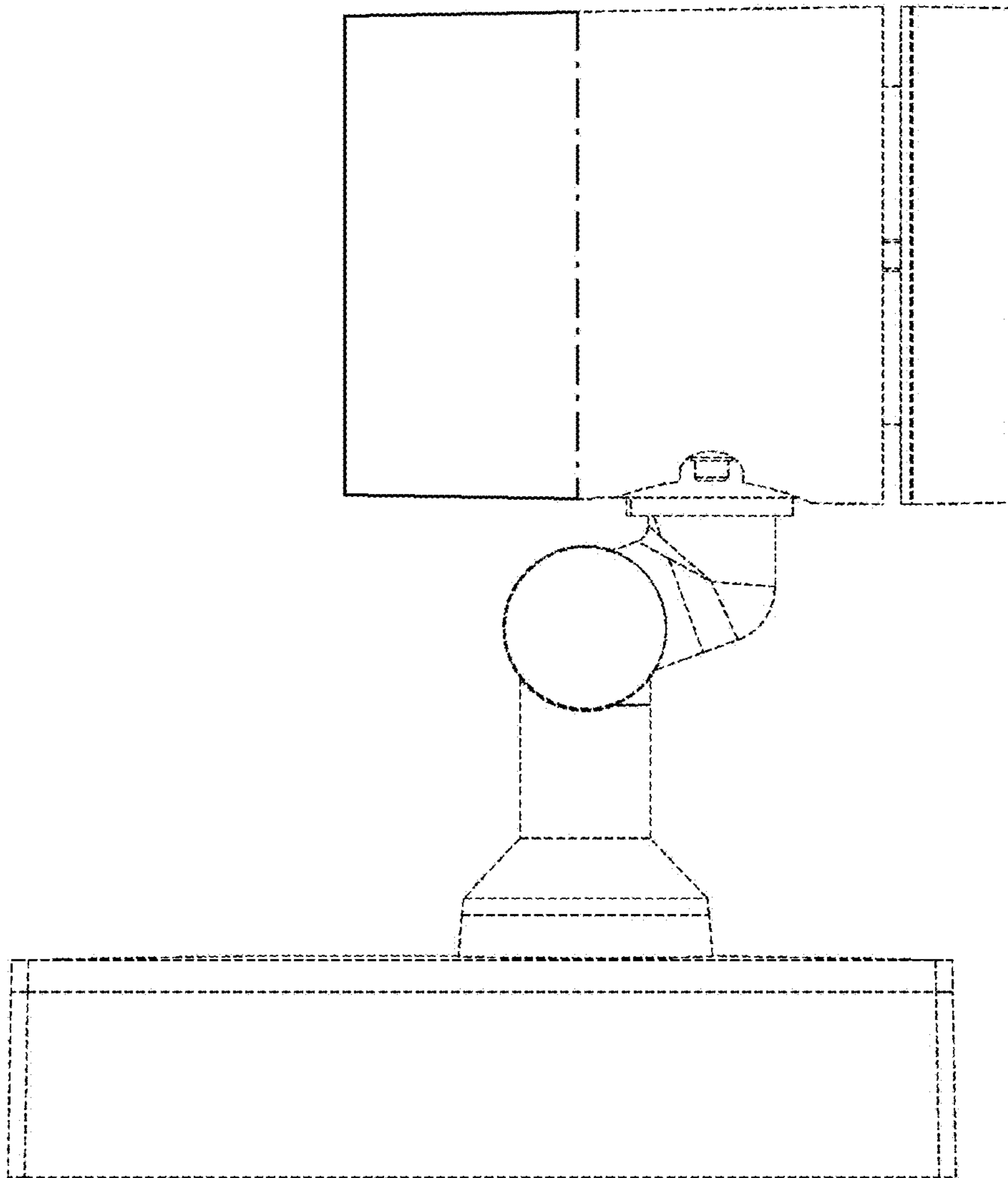


FIG. 3

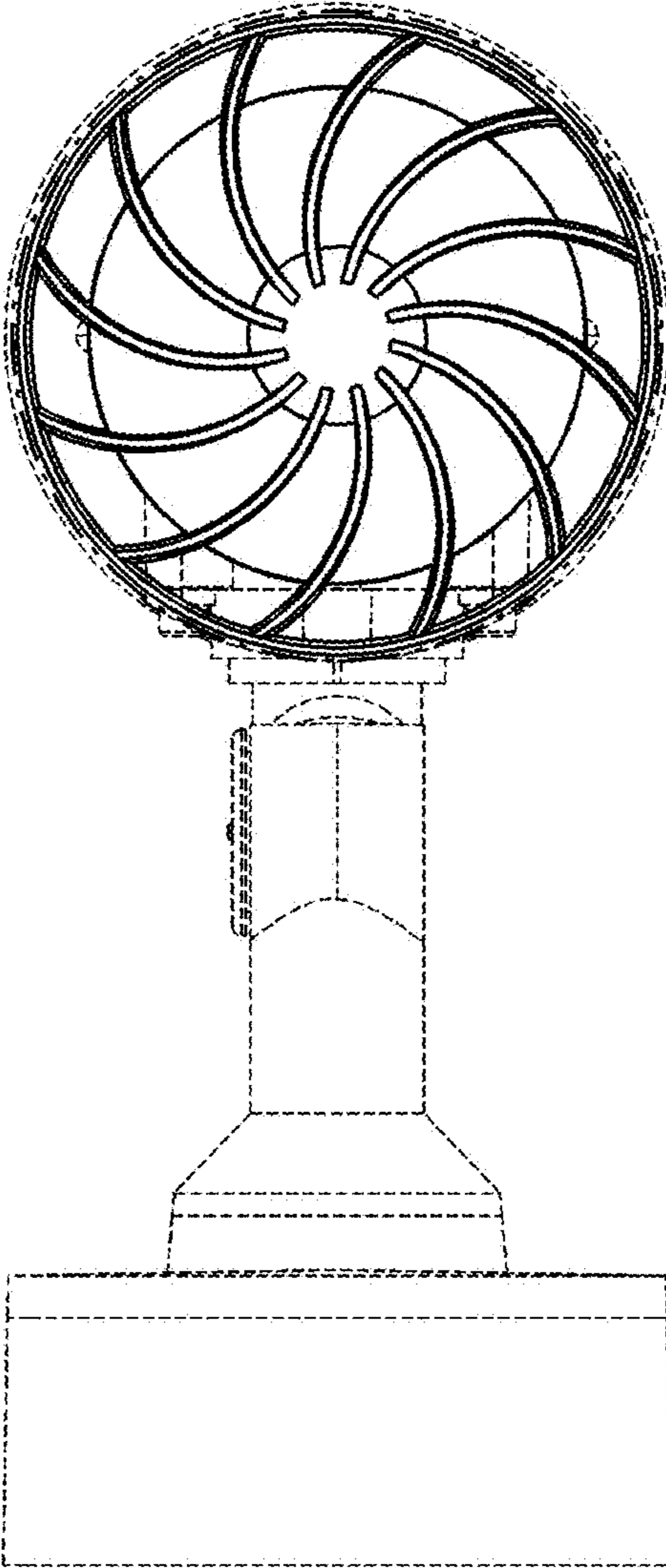


FIG. 4

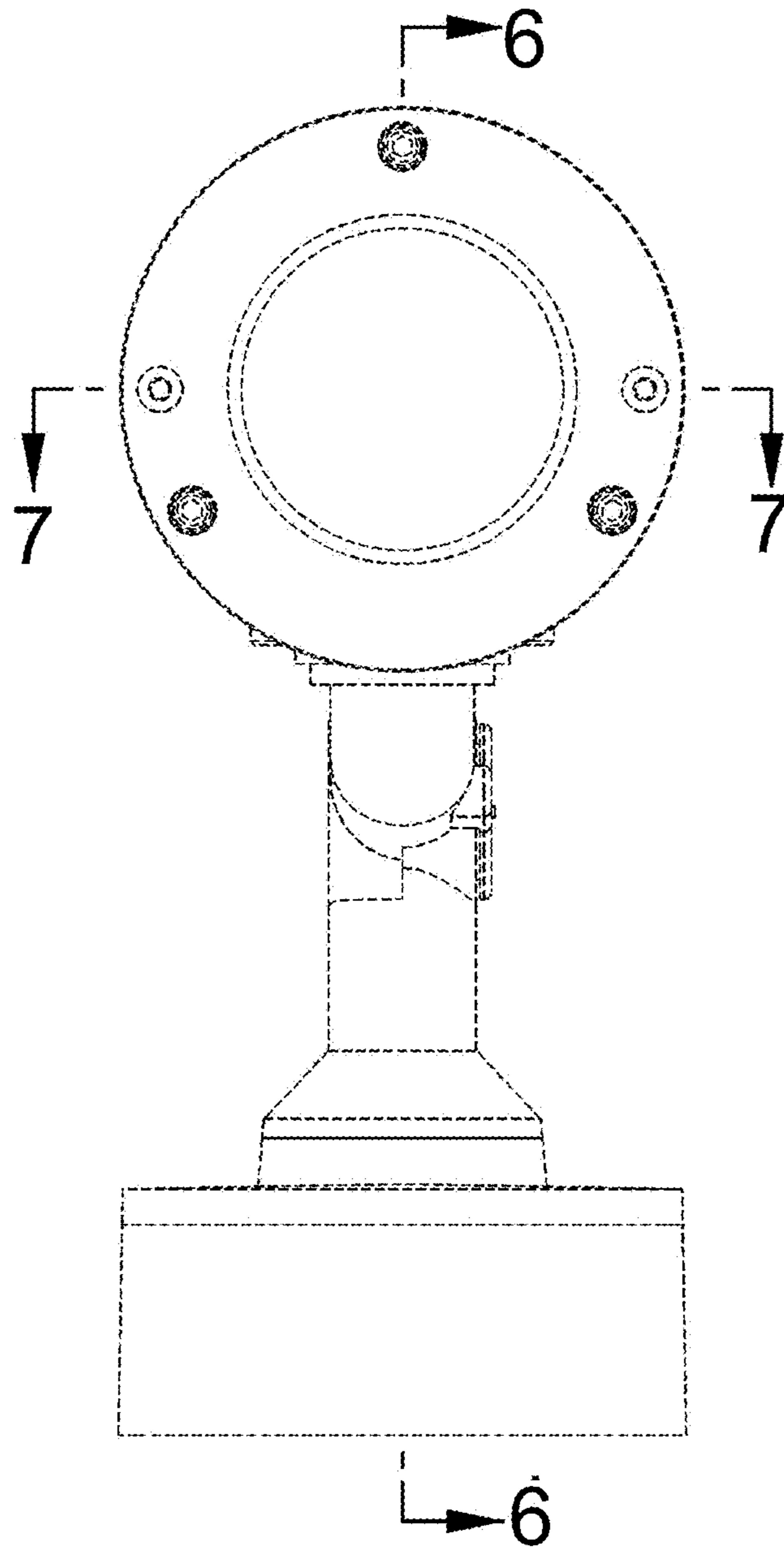


FIG. 5

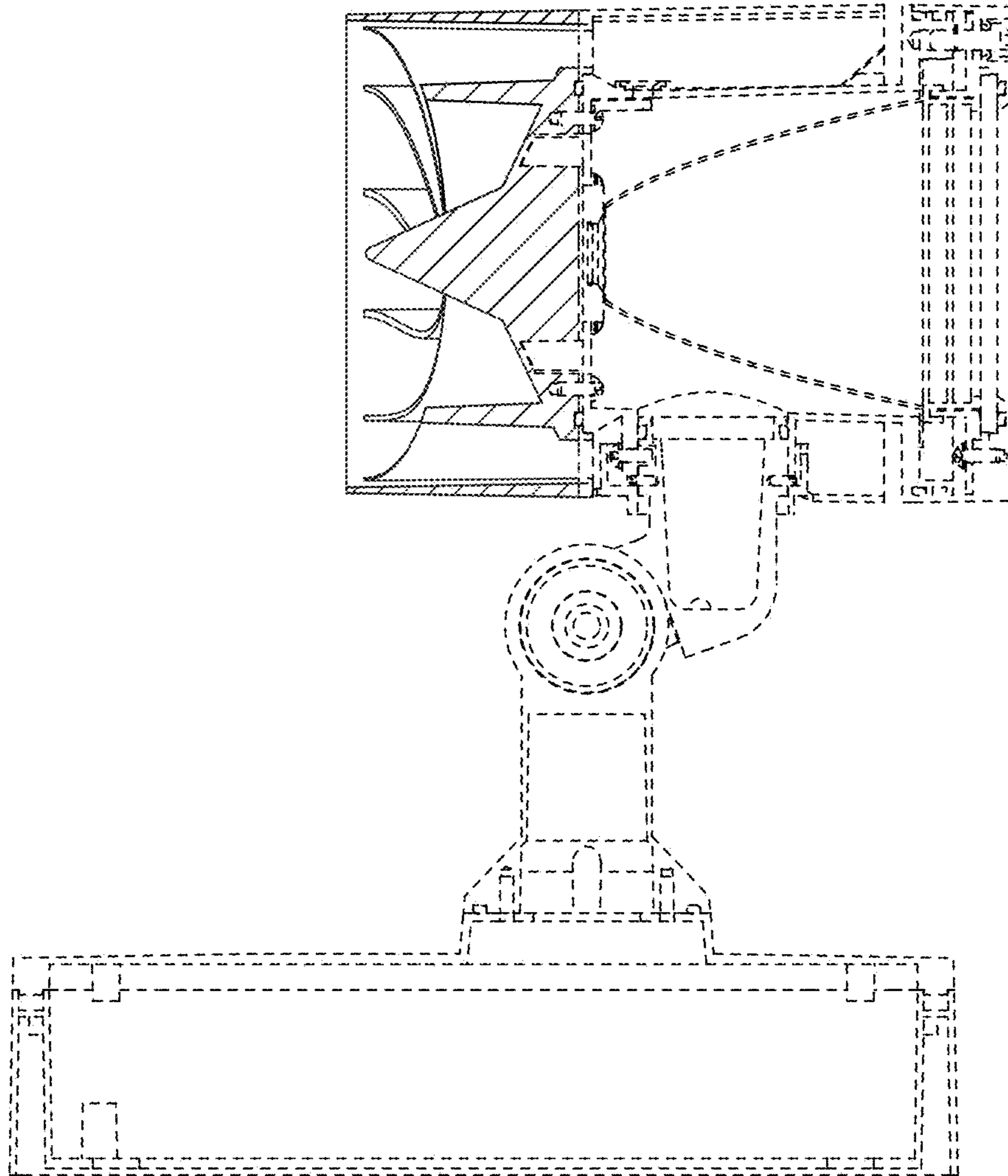


FIG. 6

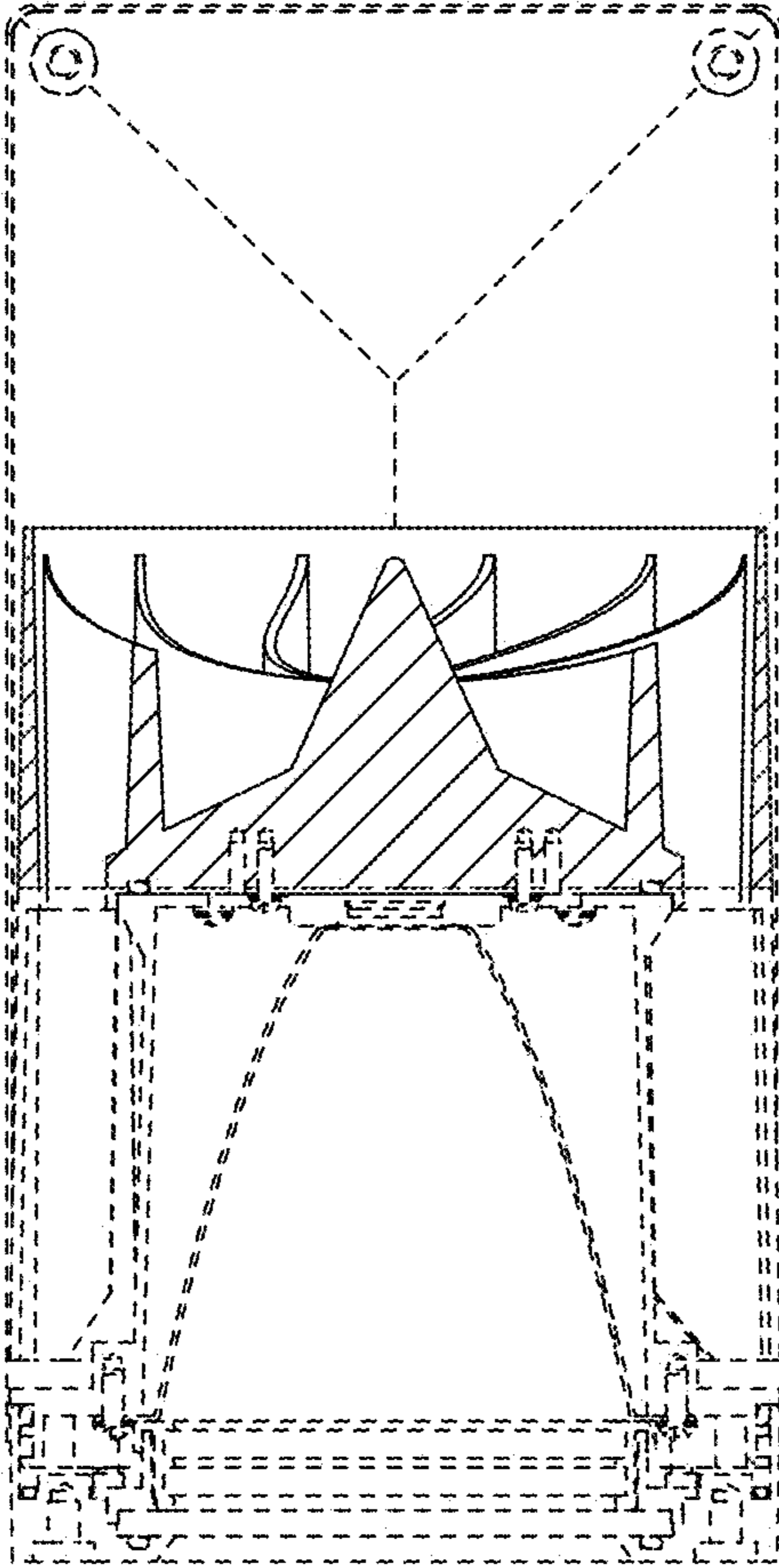


FIG. 7

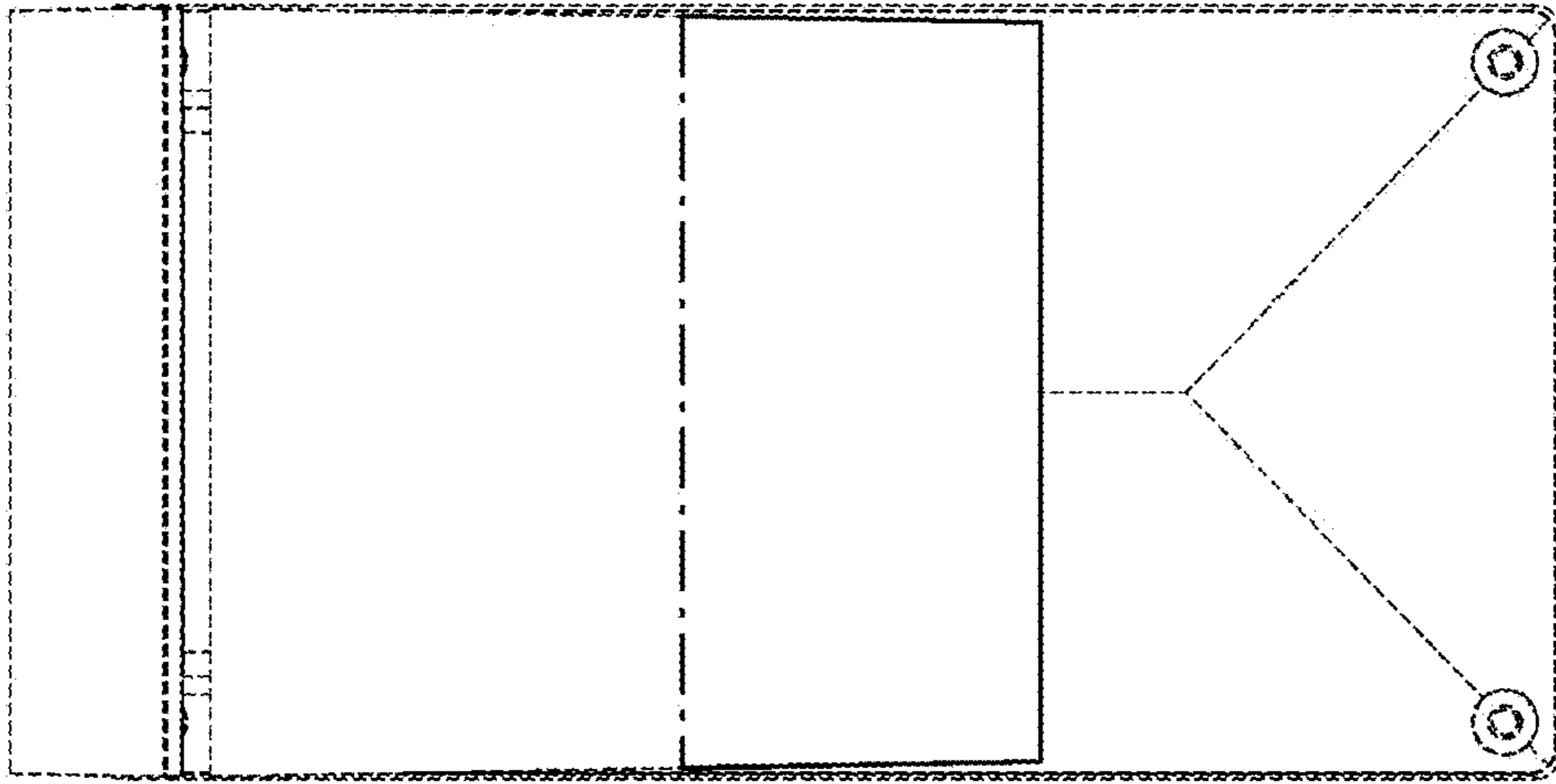


FIG. 8

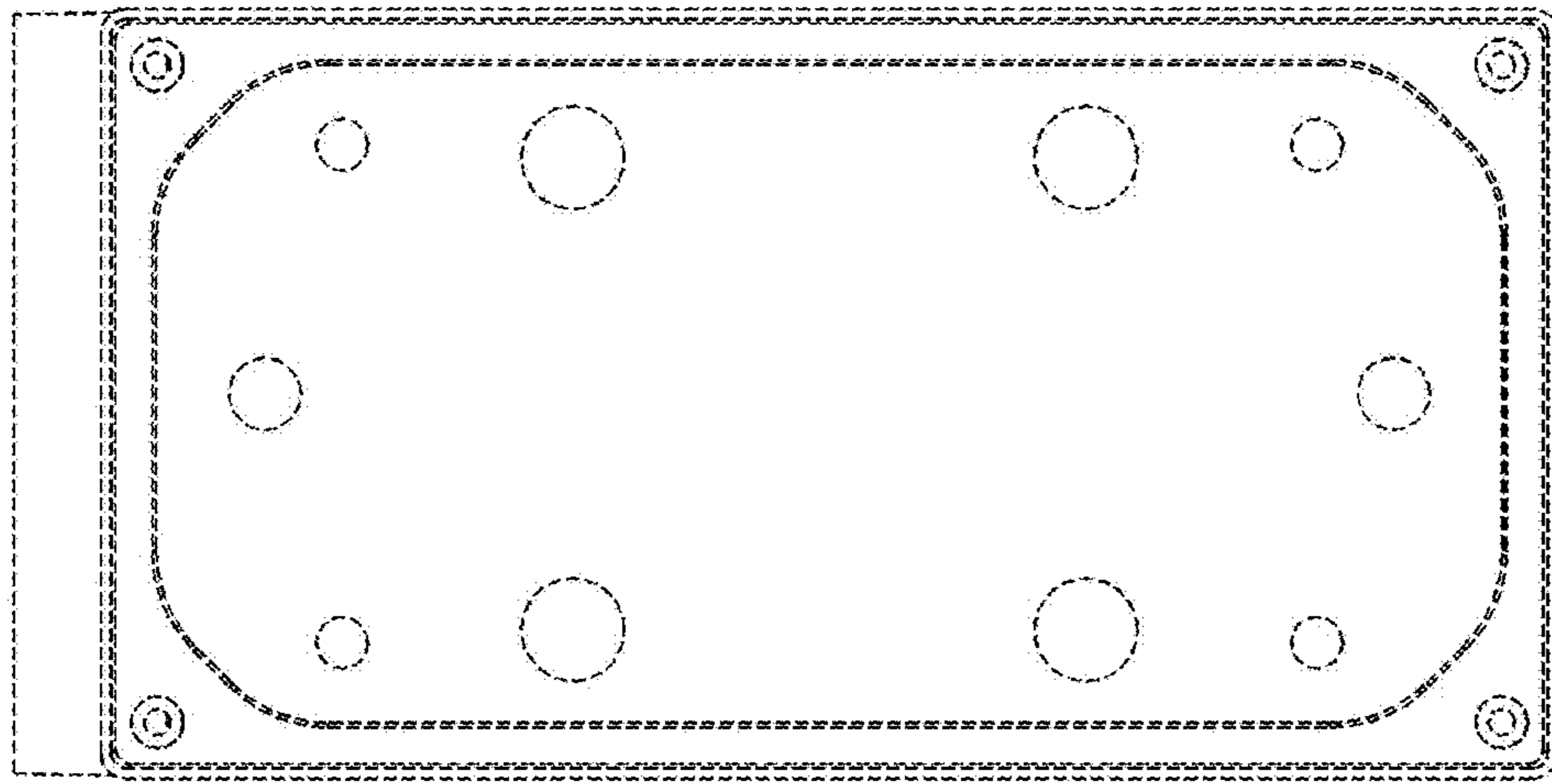


FIG. 9

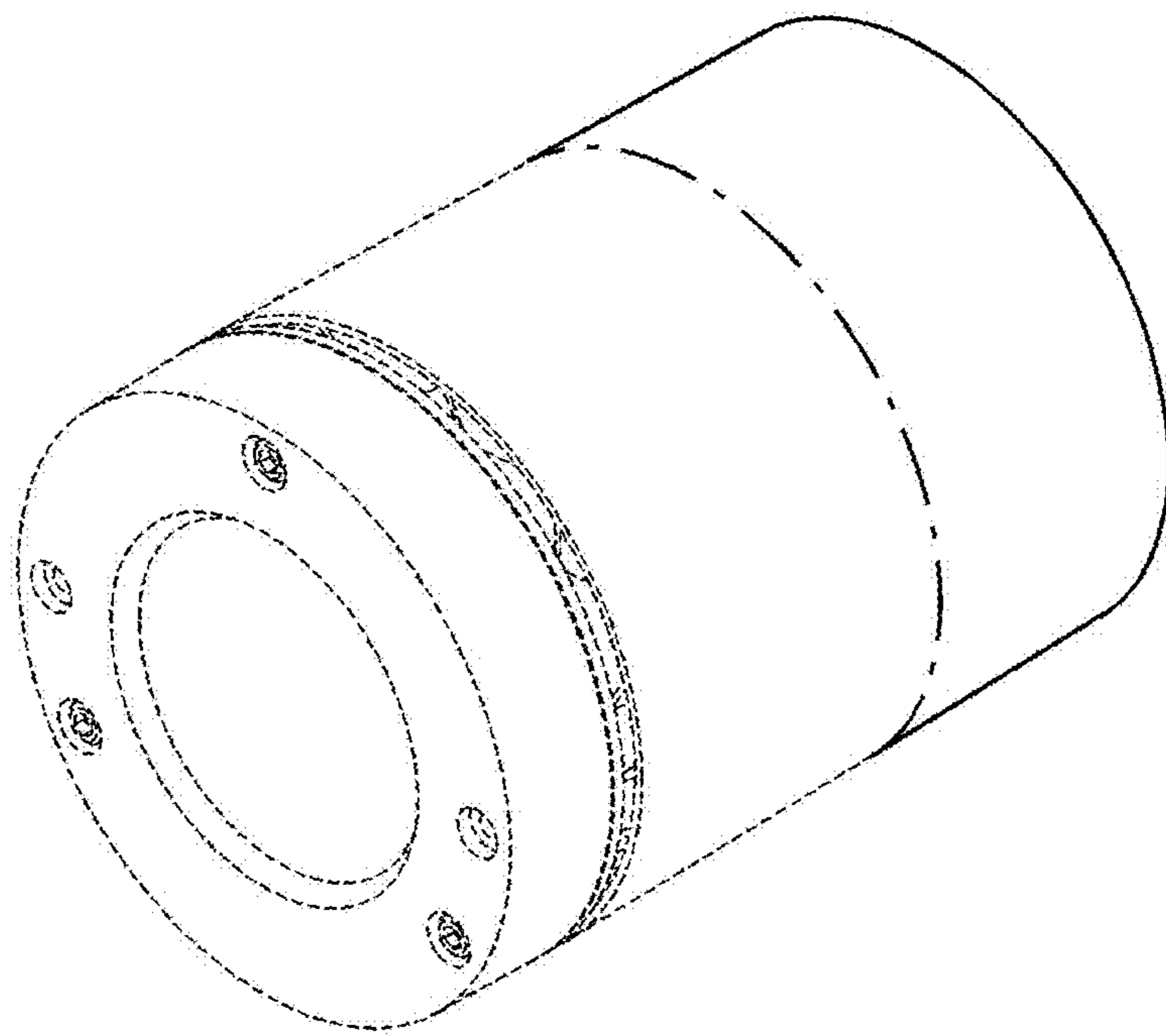


FIG. 10

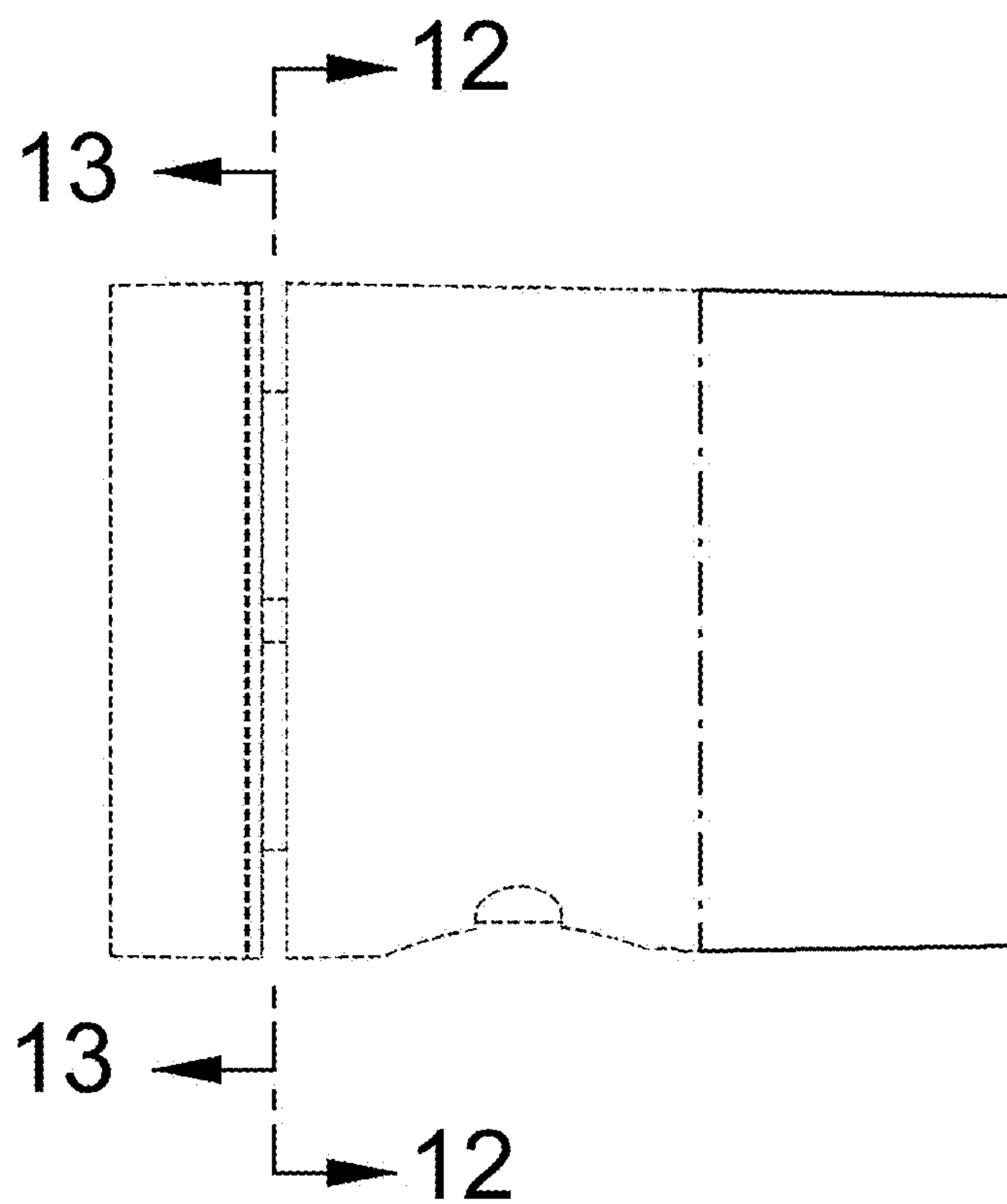


FIG. 11

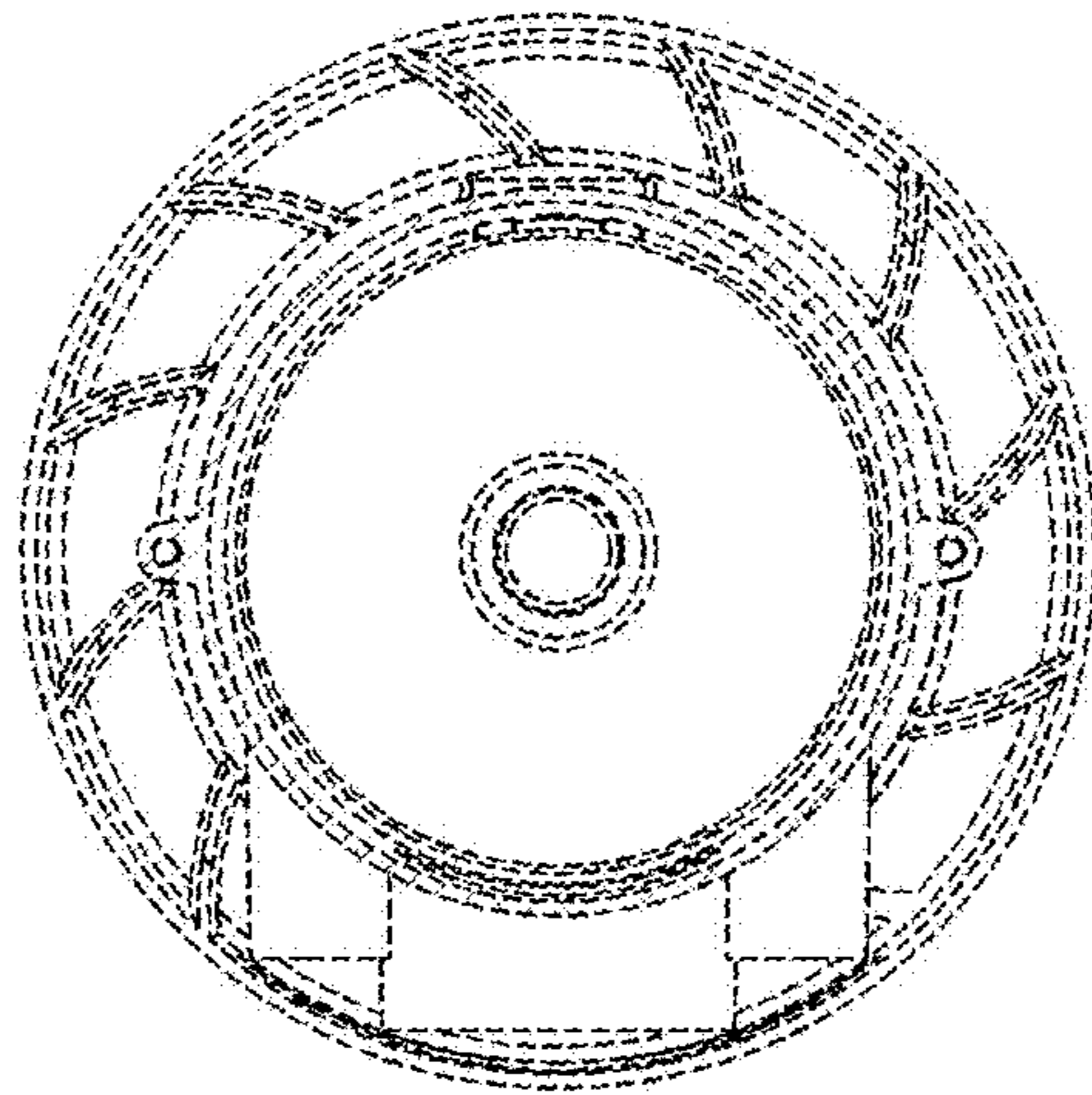


Fig. 12

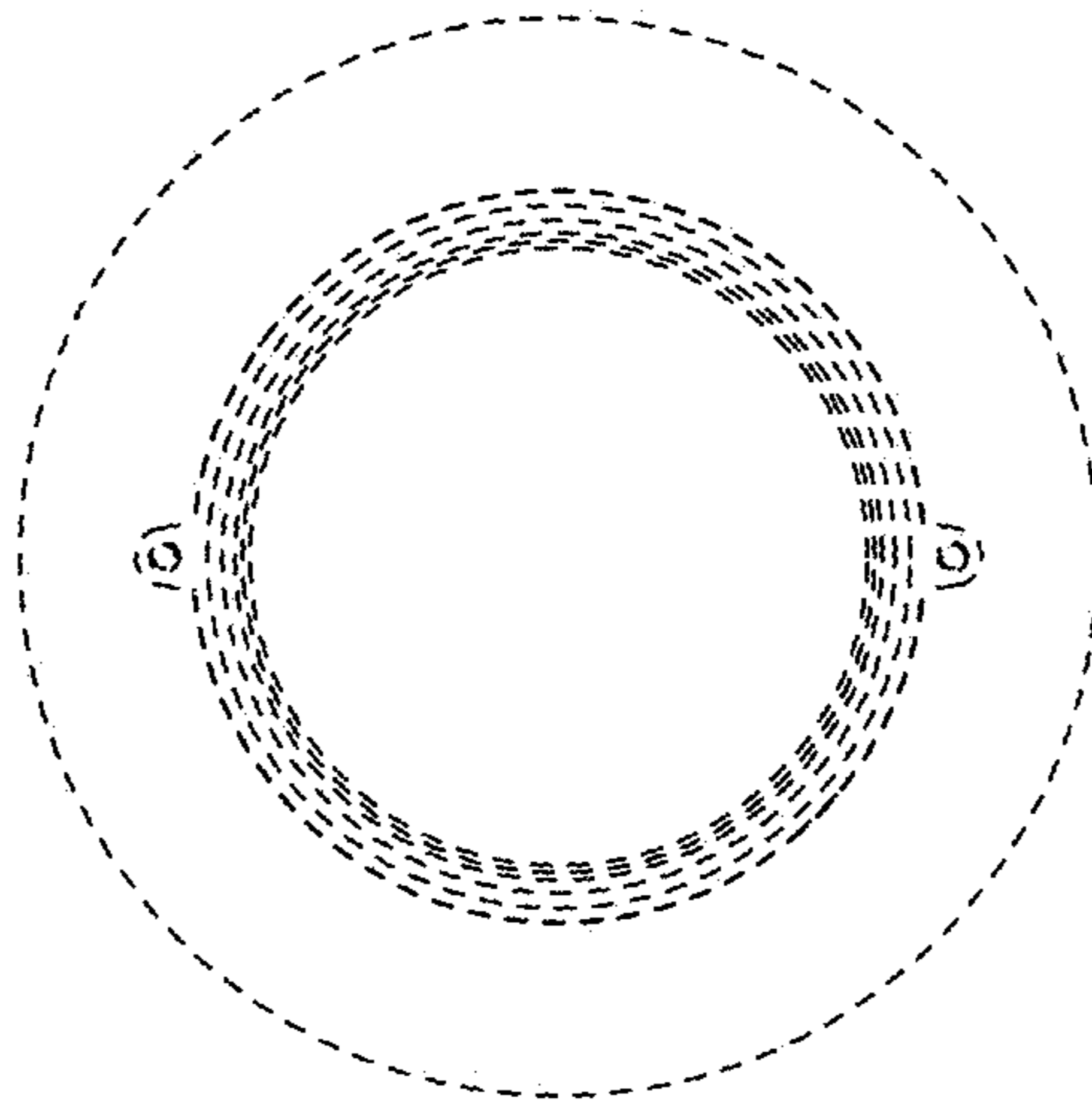


FIG. 13

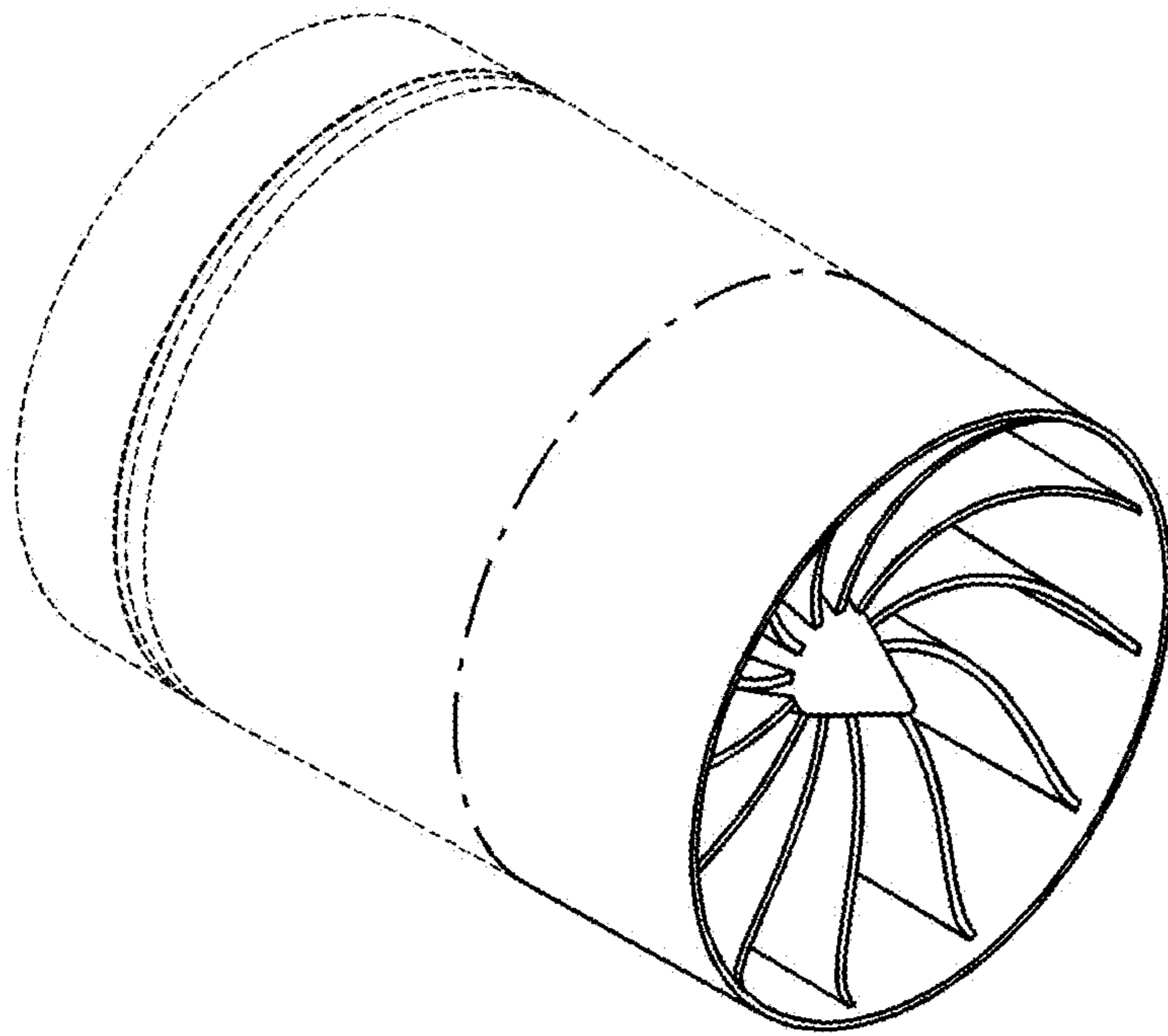


Fig. 14

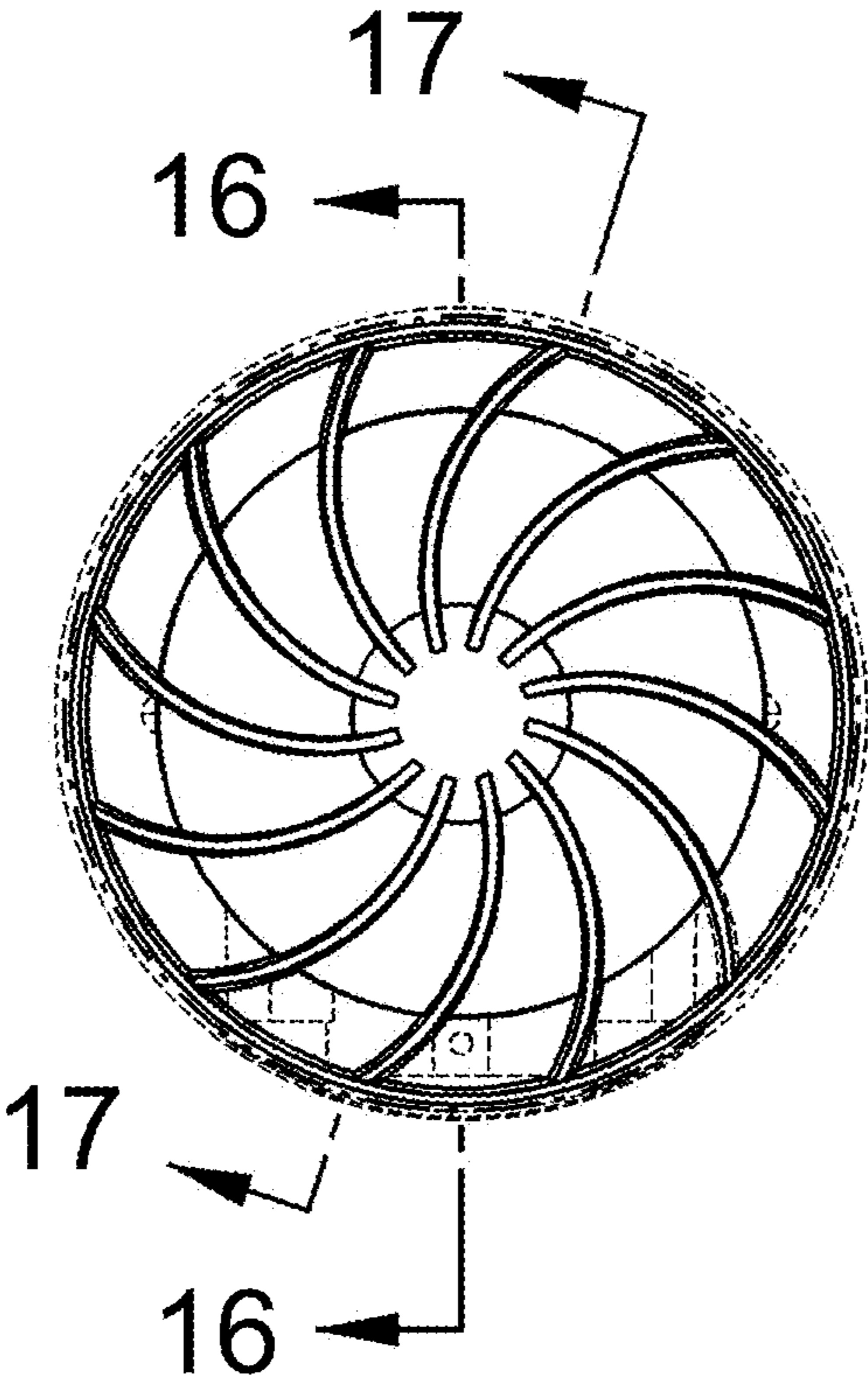


Fig. 15

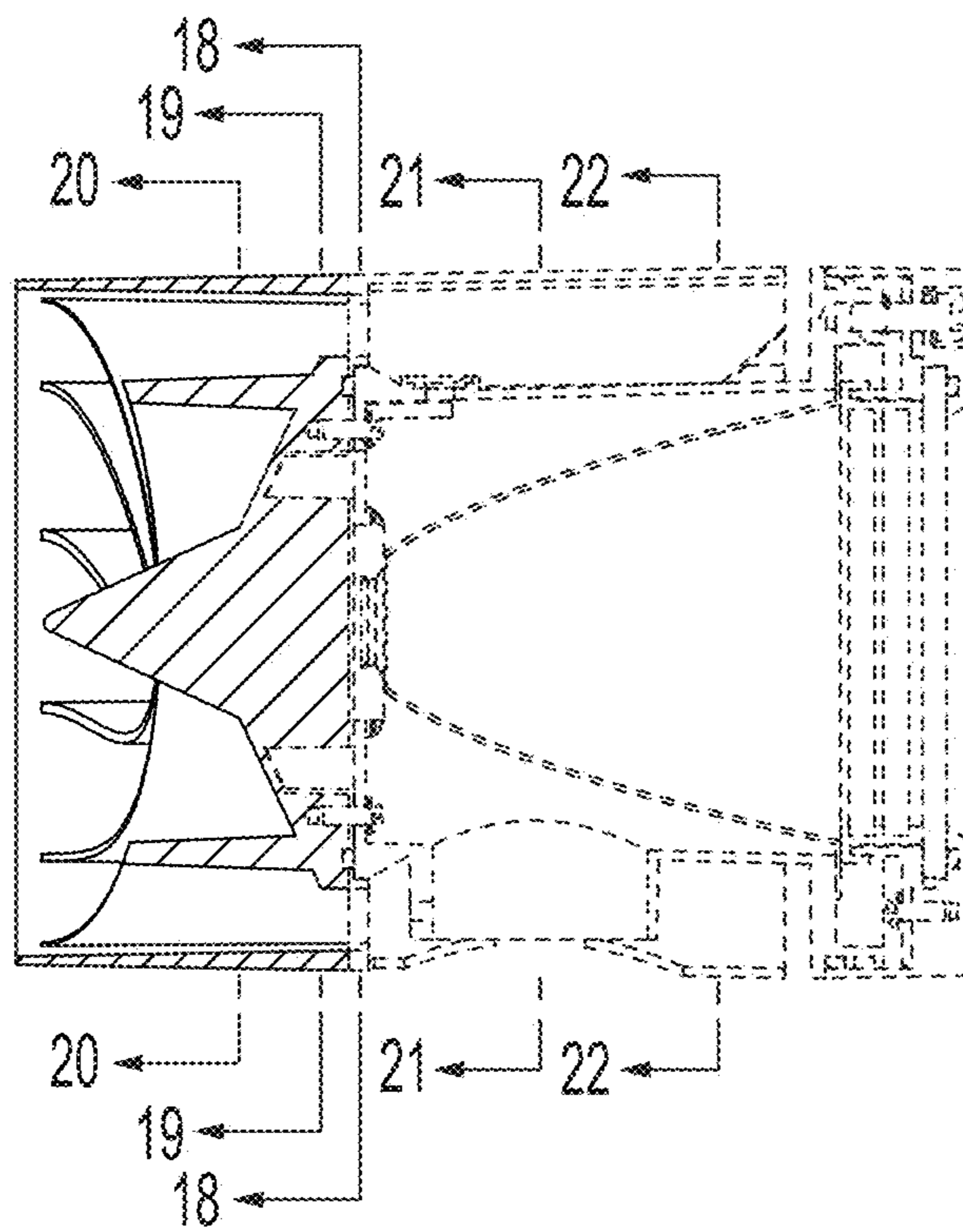


FIG. 16

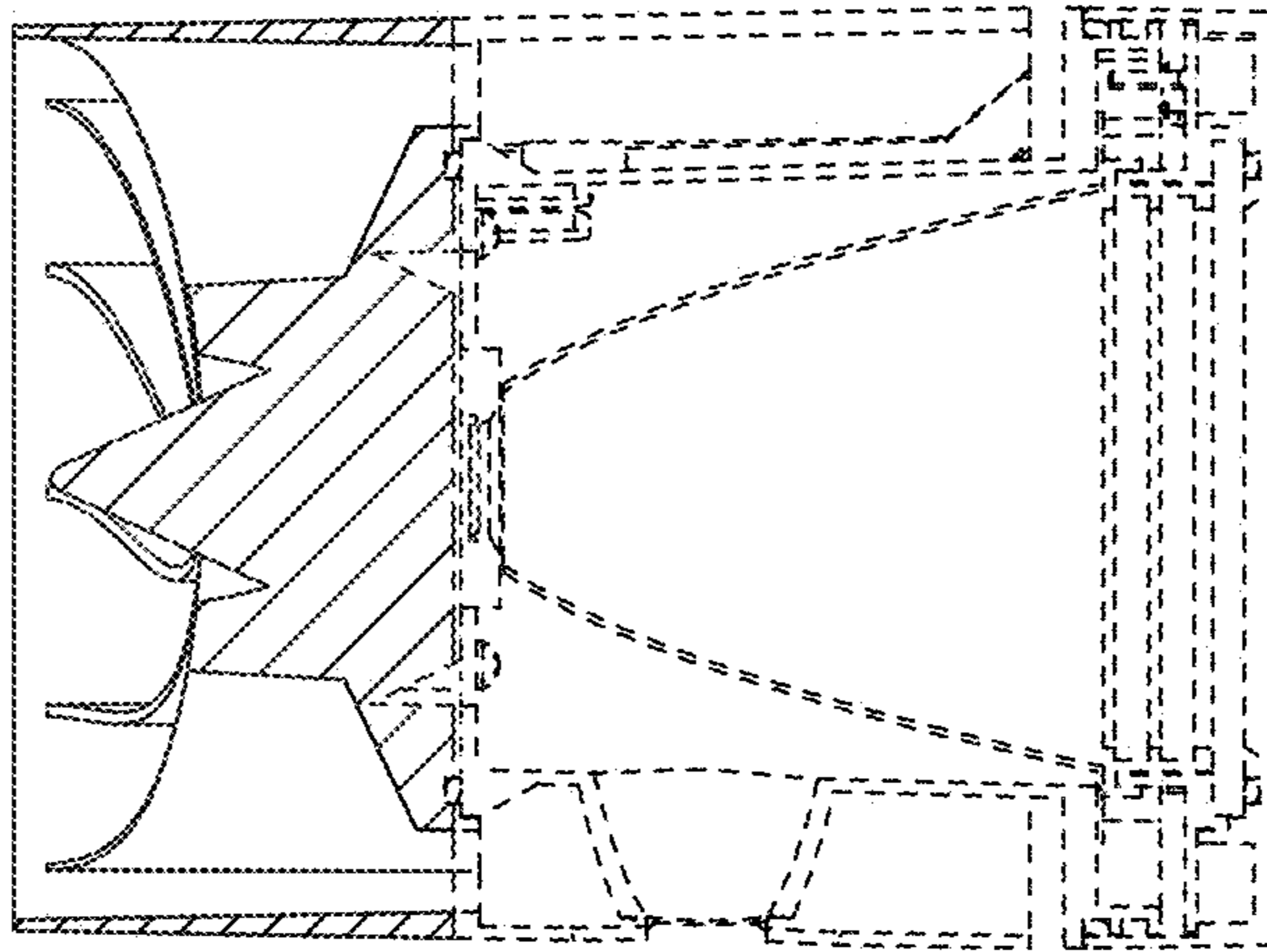


FIG. 17

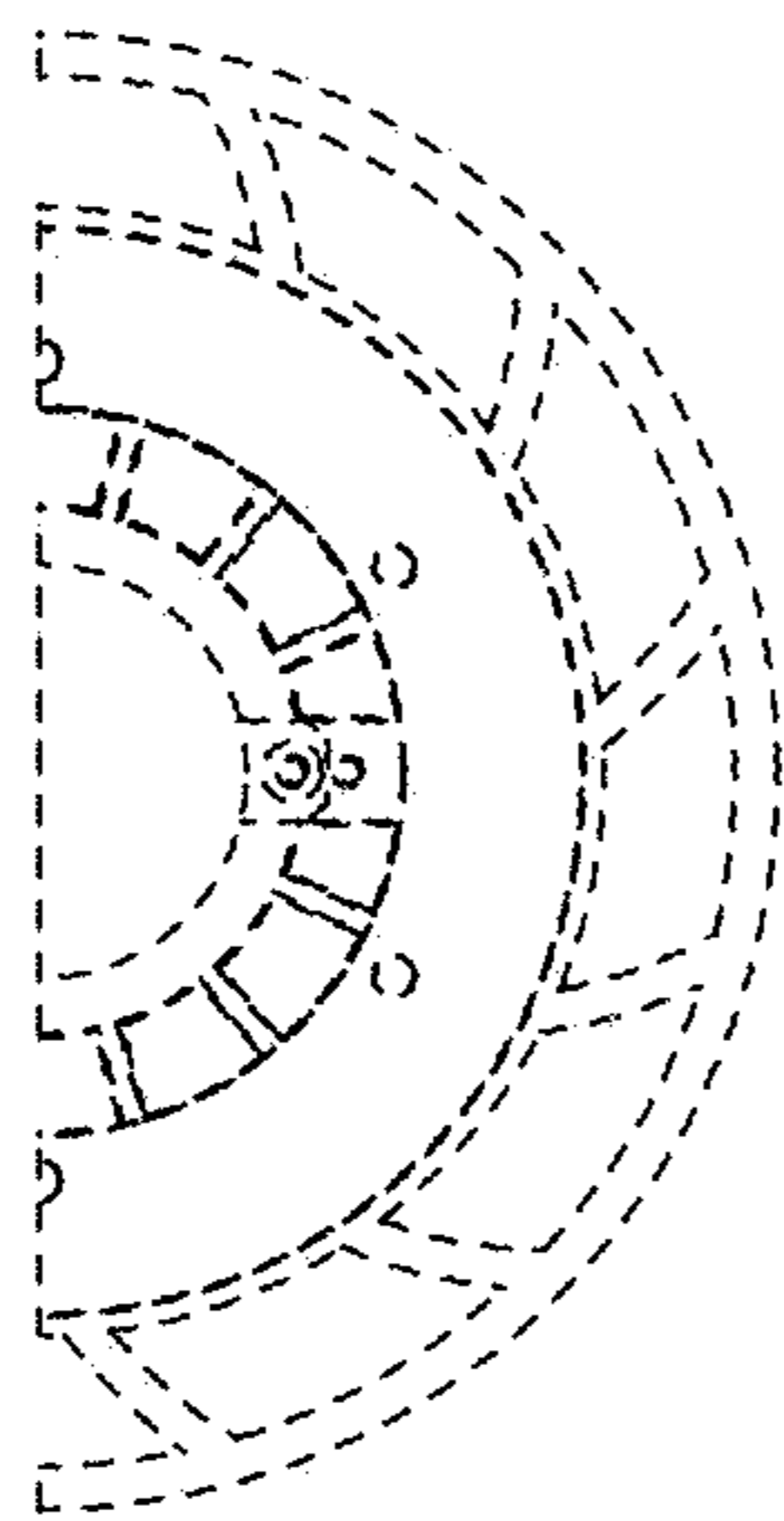


FIG. 18

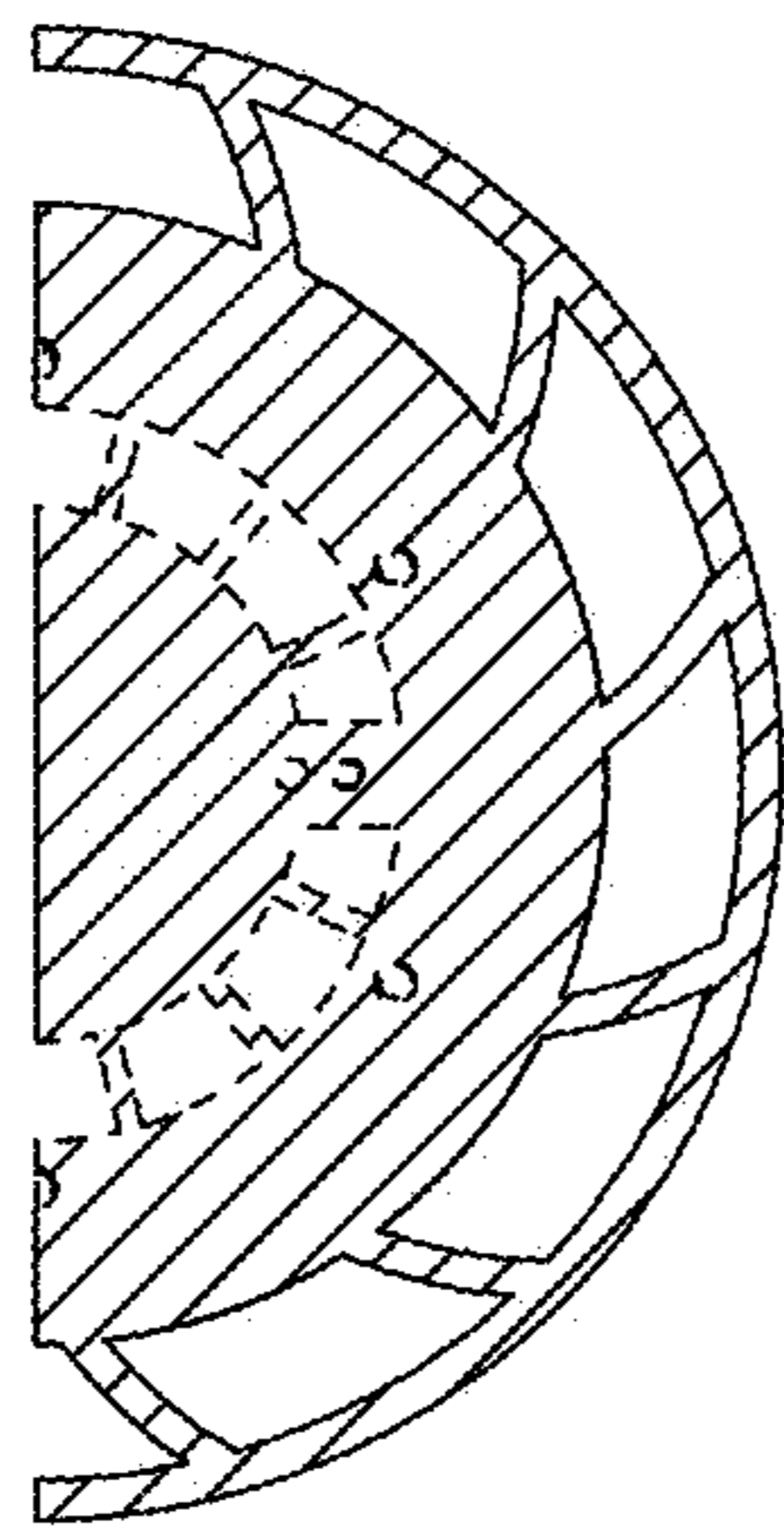


FIG. 19

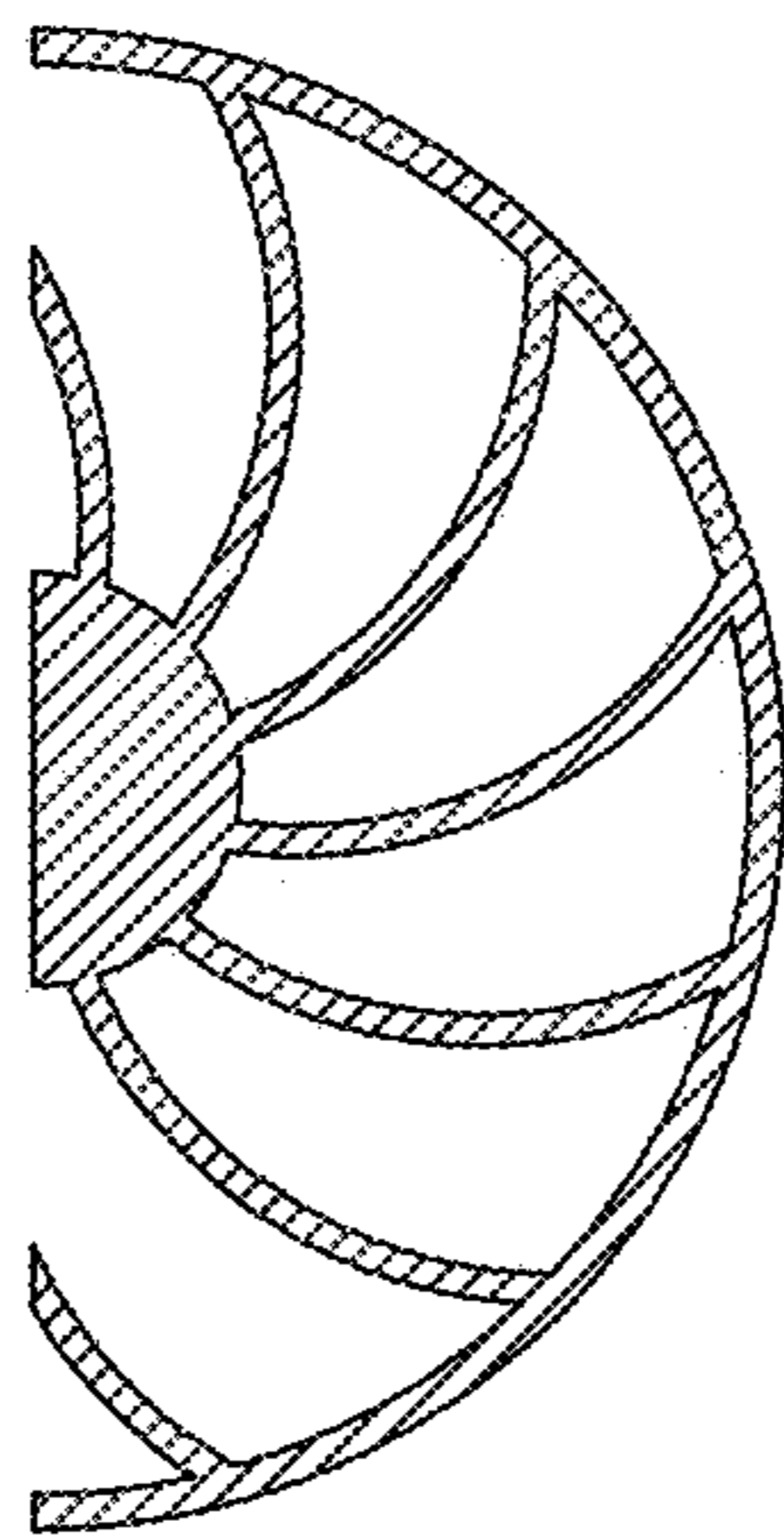


FIG. 20

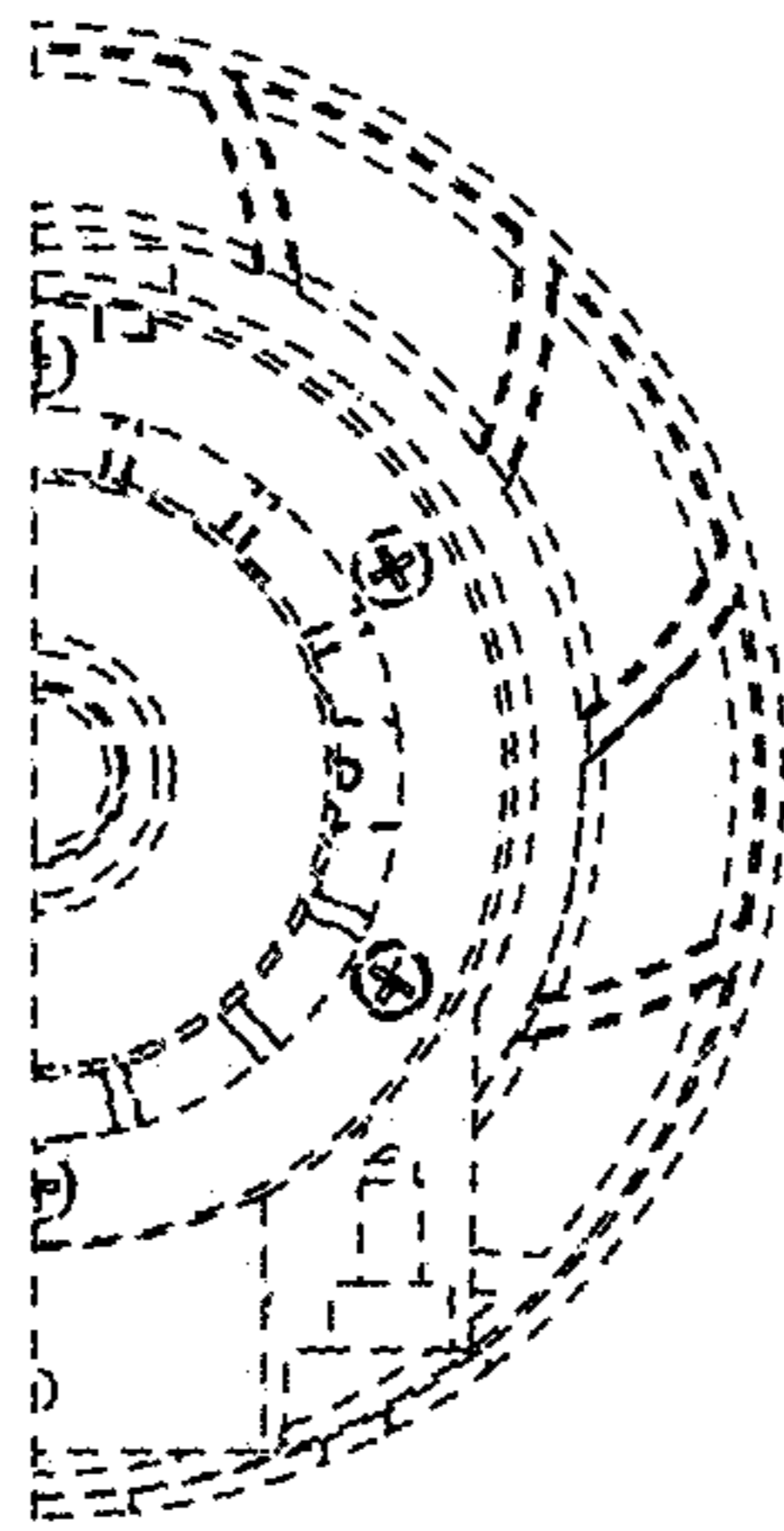


FIG. 21

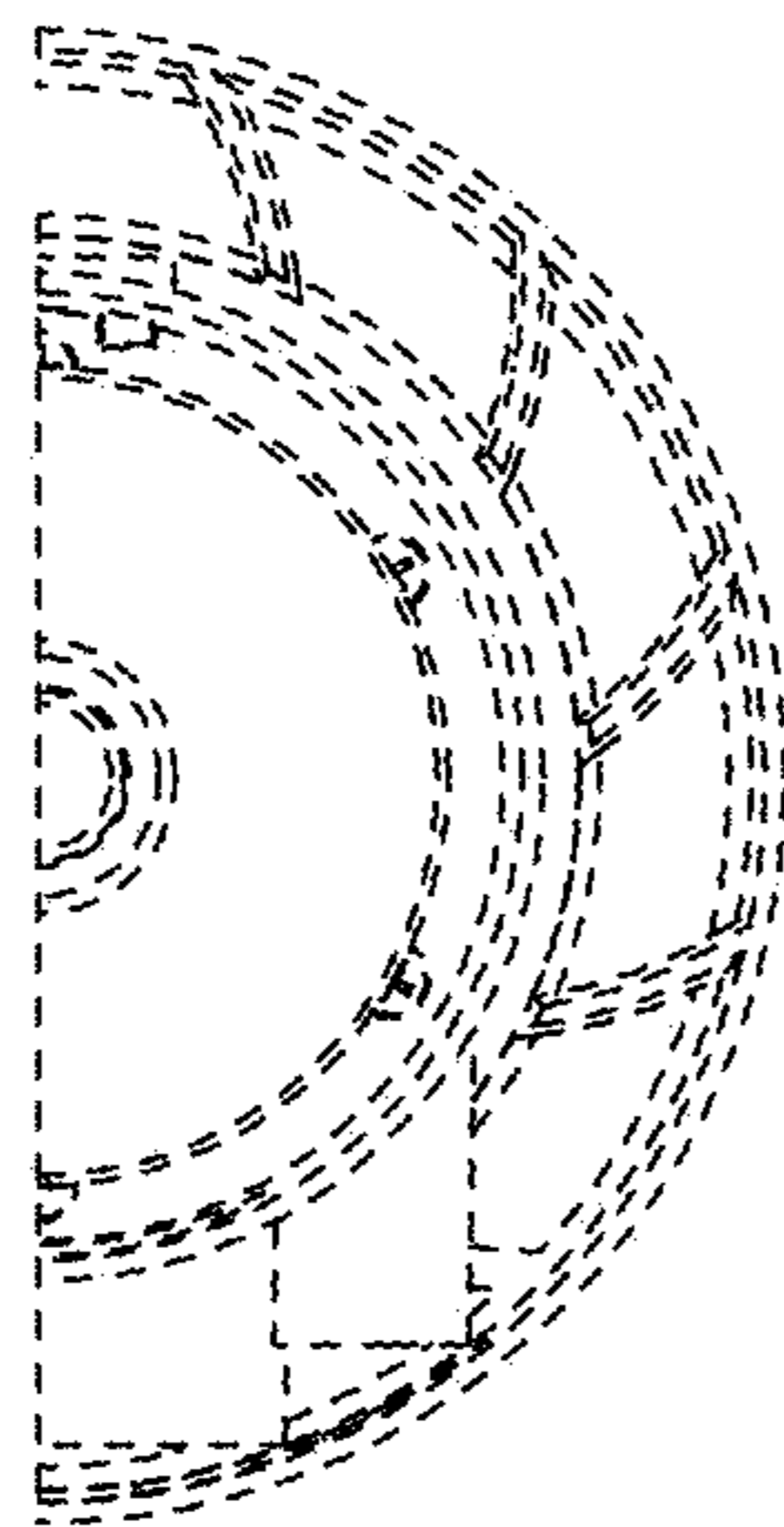


FIG. 22

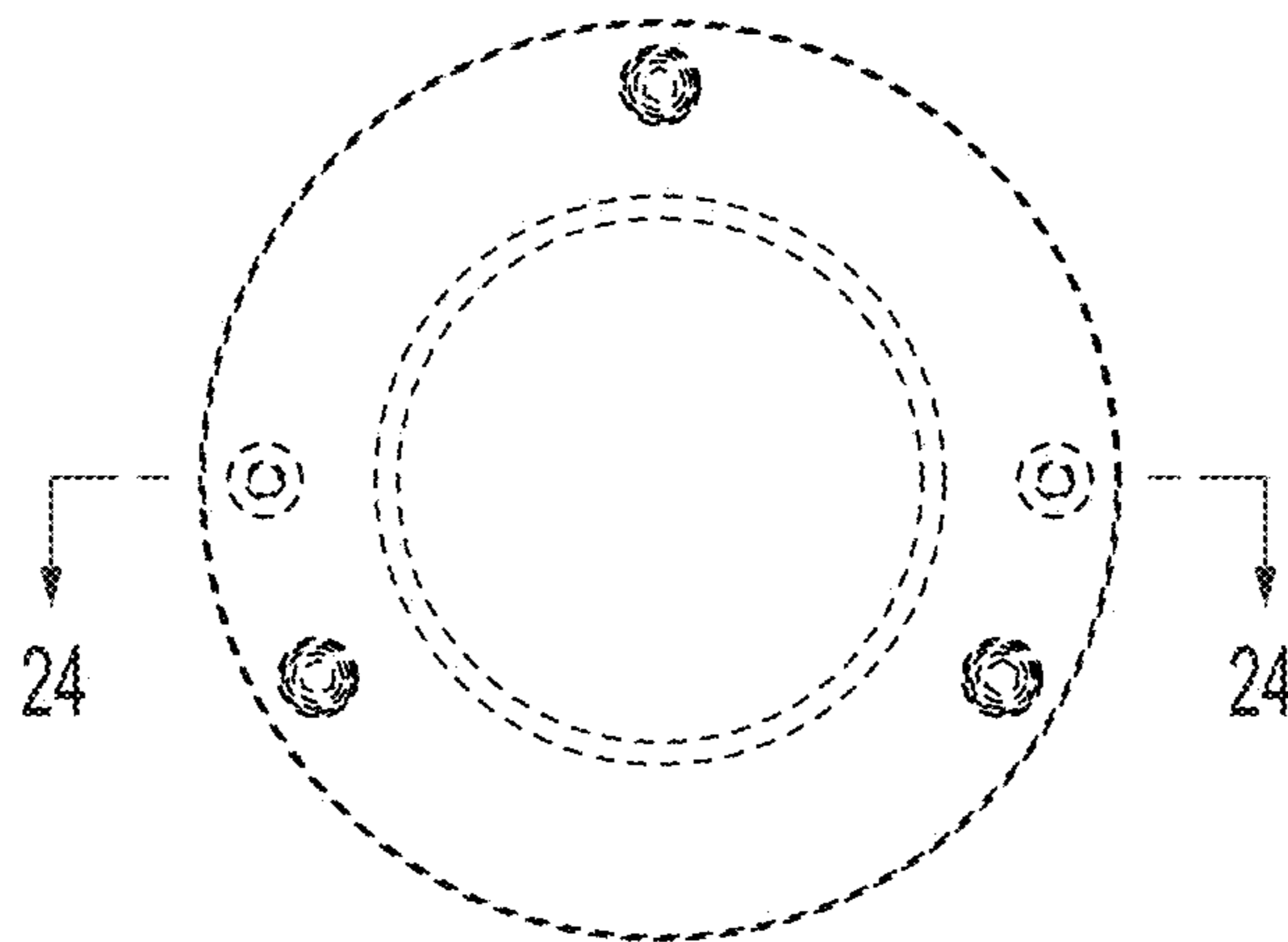


FIG. 23

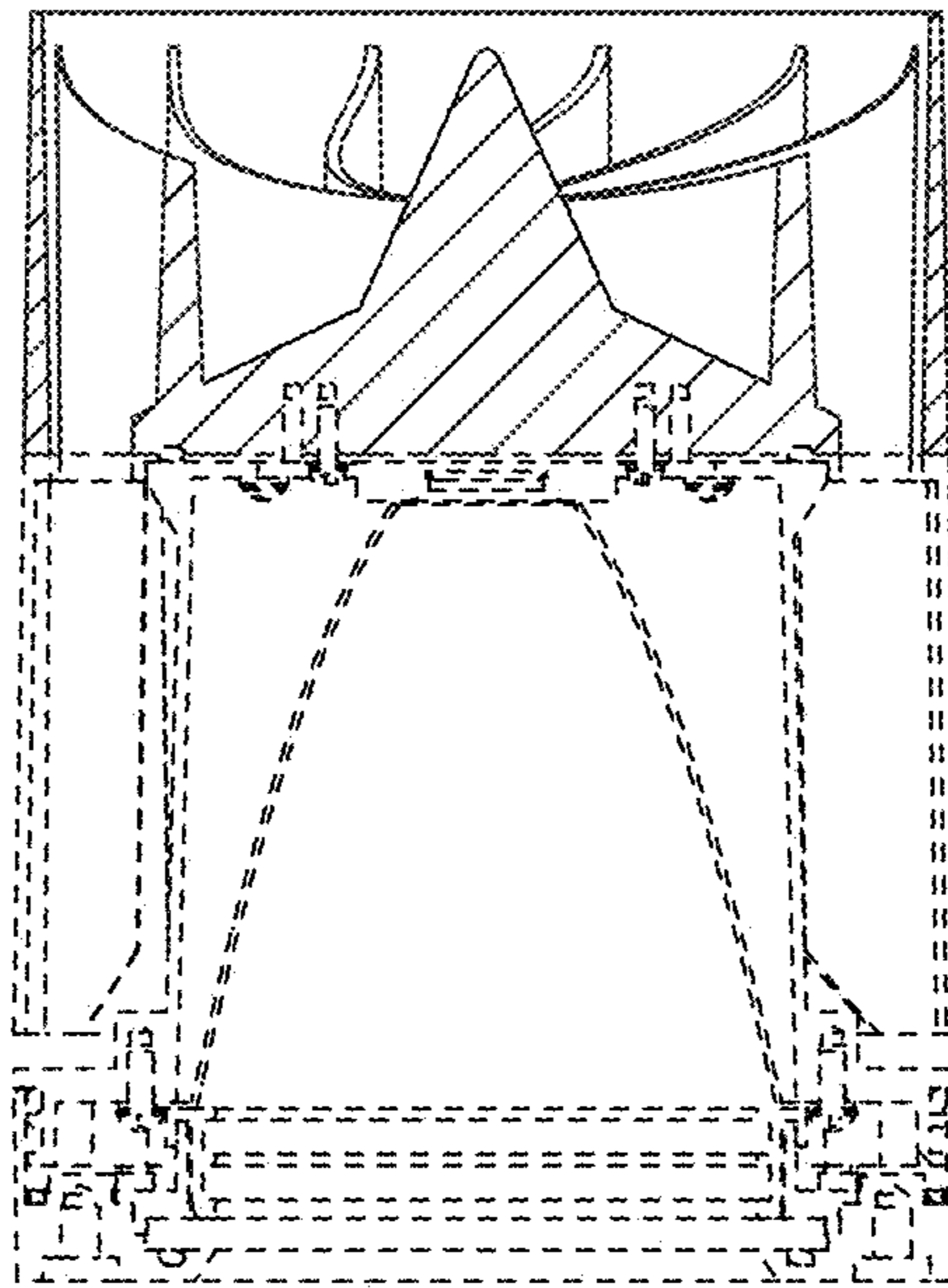


FIG. 24

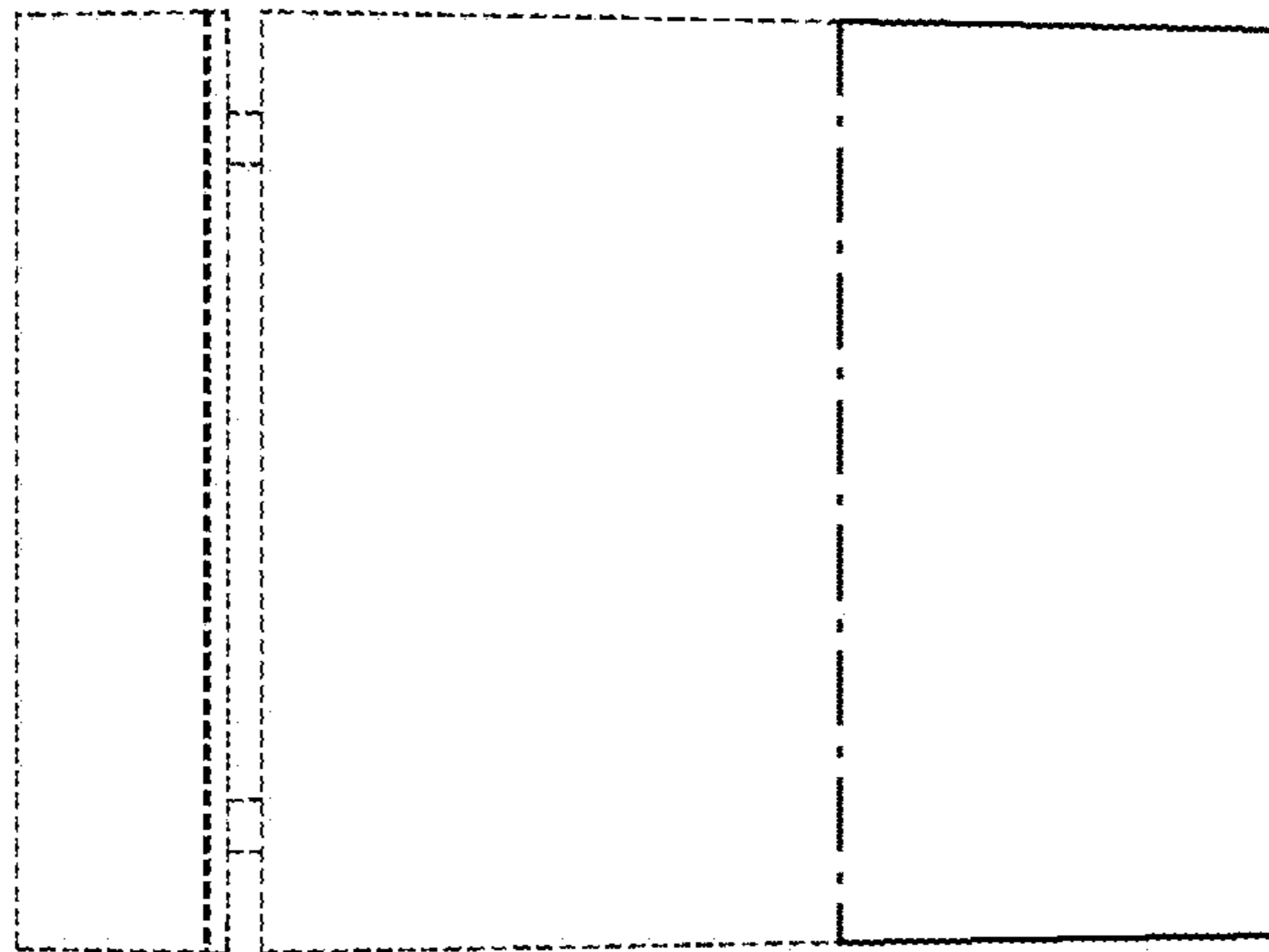


Fig. 25

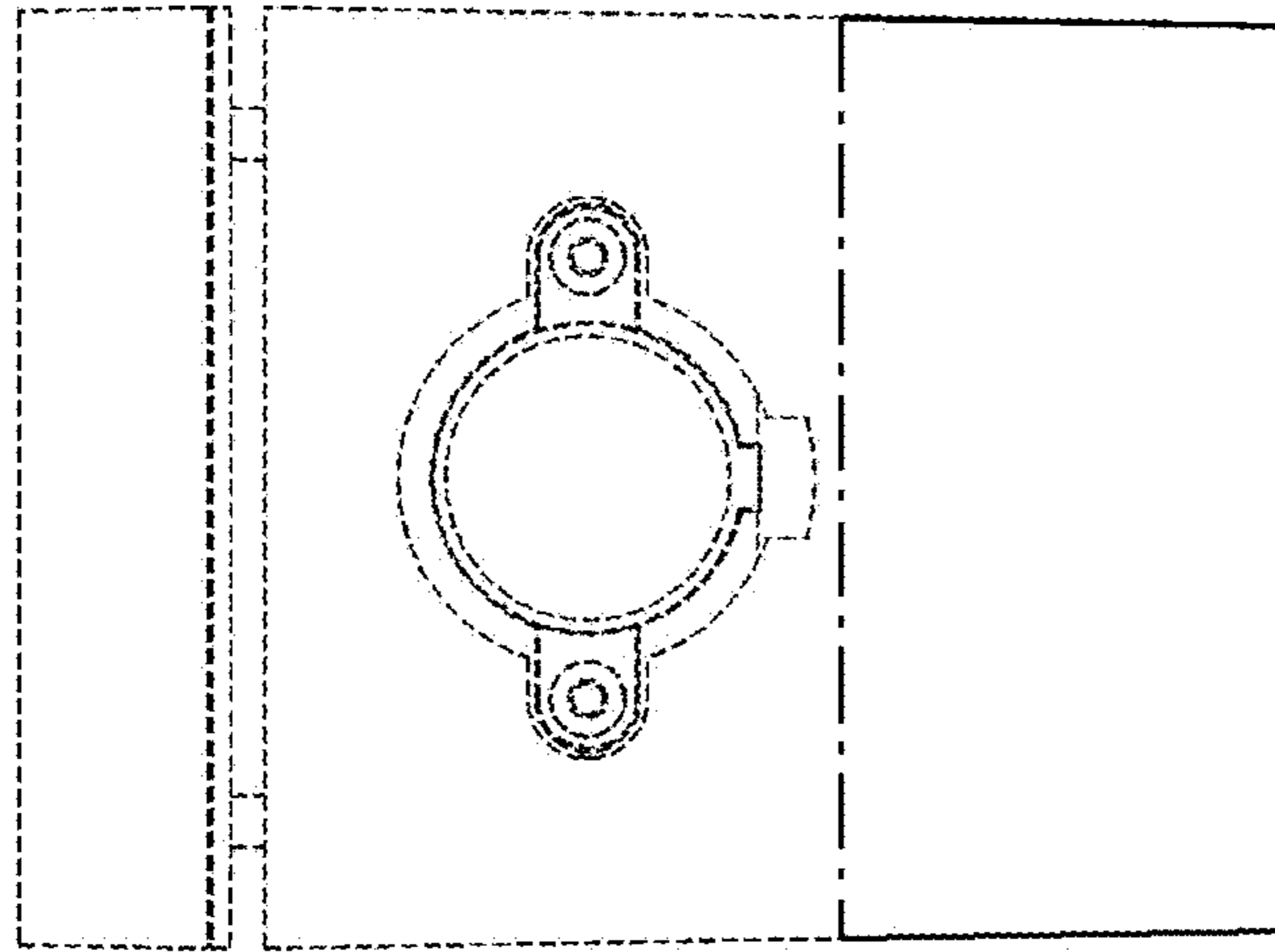


Fig. 26