



US00D758638S

(12) **United States Design Patent**  
**Stolte et al.**

(10) **Patent No.:** **US D758,638 S**  
(45) **Date of Patent:** **\*\* Jun. 7, 2016**

(54) **LIGHTING FIXTURE**

(71) Applicant: **KENALL MANUFACTURING COMPANY**, Kenosha, WI (US)

(72) Inventors: **Brandon Stolte**, Lindenhurst, IL (US);  
**Brad Wilson**, Twin Lakes, WI (US)

(73) Assignee: **KENALL MANUFACTURING COMPANY**, Kenosha, WI (US)

(\*\*) Term: **15 Years**

(21) Appl. No.: **29/536,342**

(22) Filed: **Aug. 17, 2015**

**Related U.S. Application Data**

(62) Division of application No. 29/499,237, filed on Aug. 13, 2014, now Pat. No. Des. 743,612.

(51) **LOC (10) Cl.** ..... **26-05**

(52) **U.S. Cl.**  
USPC ..... **D26/92**; D26/89

(58) **Field of Classification Search**  
USPC ..... D26/67-72, 92, 89  
CPC ..... F21S 8/08; F21S 8/085; F21S 8/086;  
F21S 8/088; F21V 21/13  
See application file for complete search history.

(56) **References Cited**

**U.S. PATENT DOCUMENTS**

D162,124 S \* 2/1951 Brooks ..... D26/89  
2,907,870 A \* 10/1959 Calmes ..... F21S 8/088  
362/264

(Continued)

**OTHER PUBLICATIONS**

TekDek™ Advanced Lighting for Parking Garages Brochure, Kenall,  
36 Pages.

*Primary Examiner* — Clare E Heflin

(74) *Attorney, Agent, or Firm* — Marshall, Gerstein & Borun  
LLP

(57) **CLAIM**

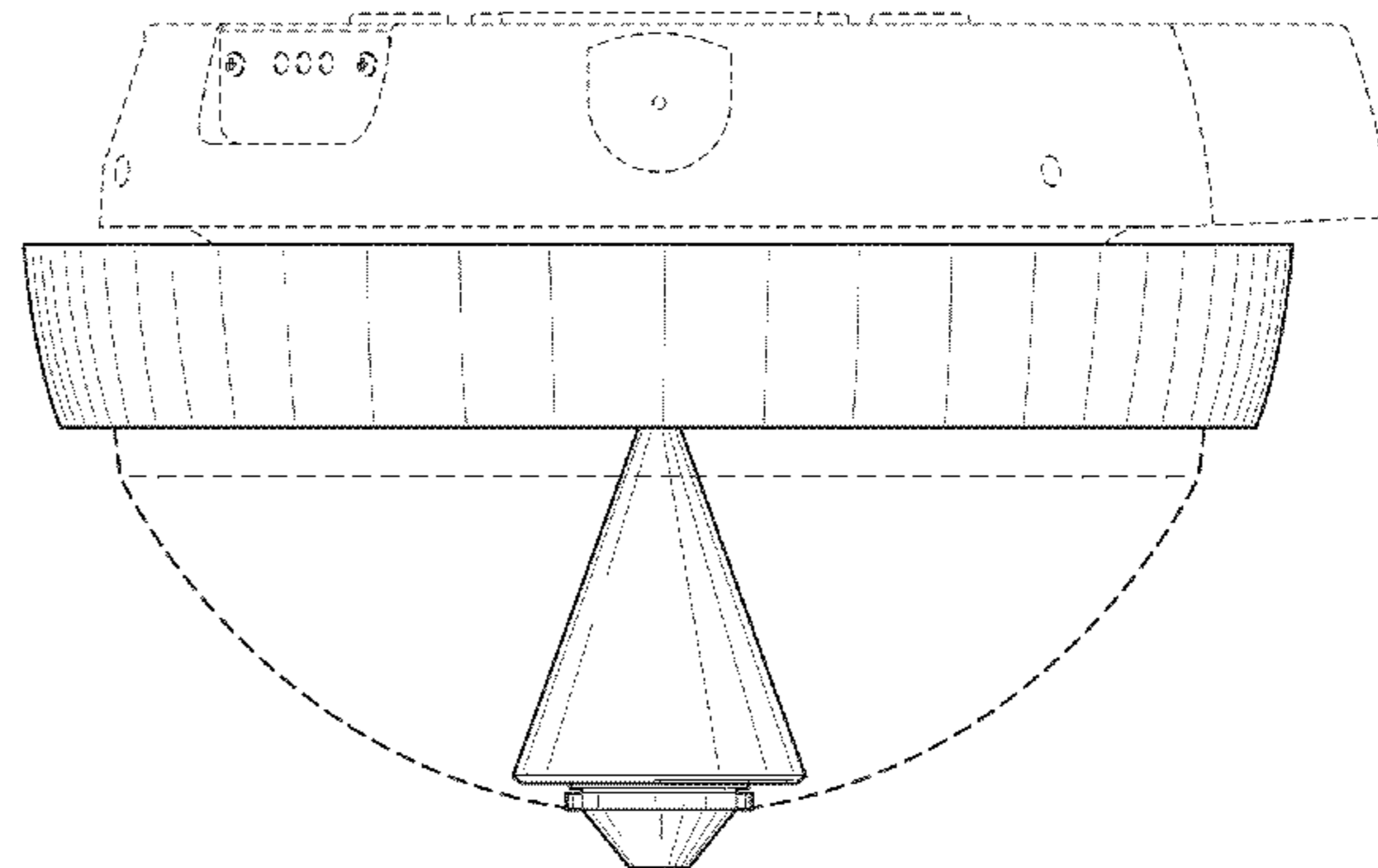
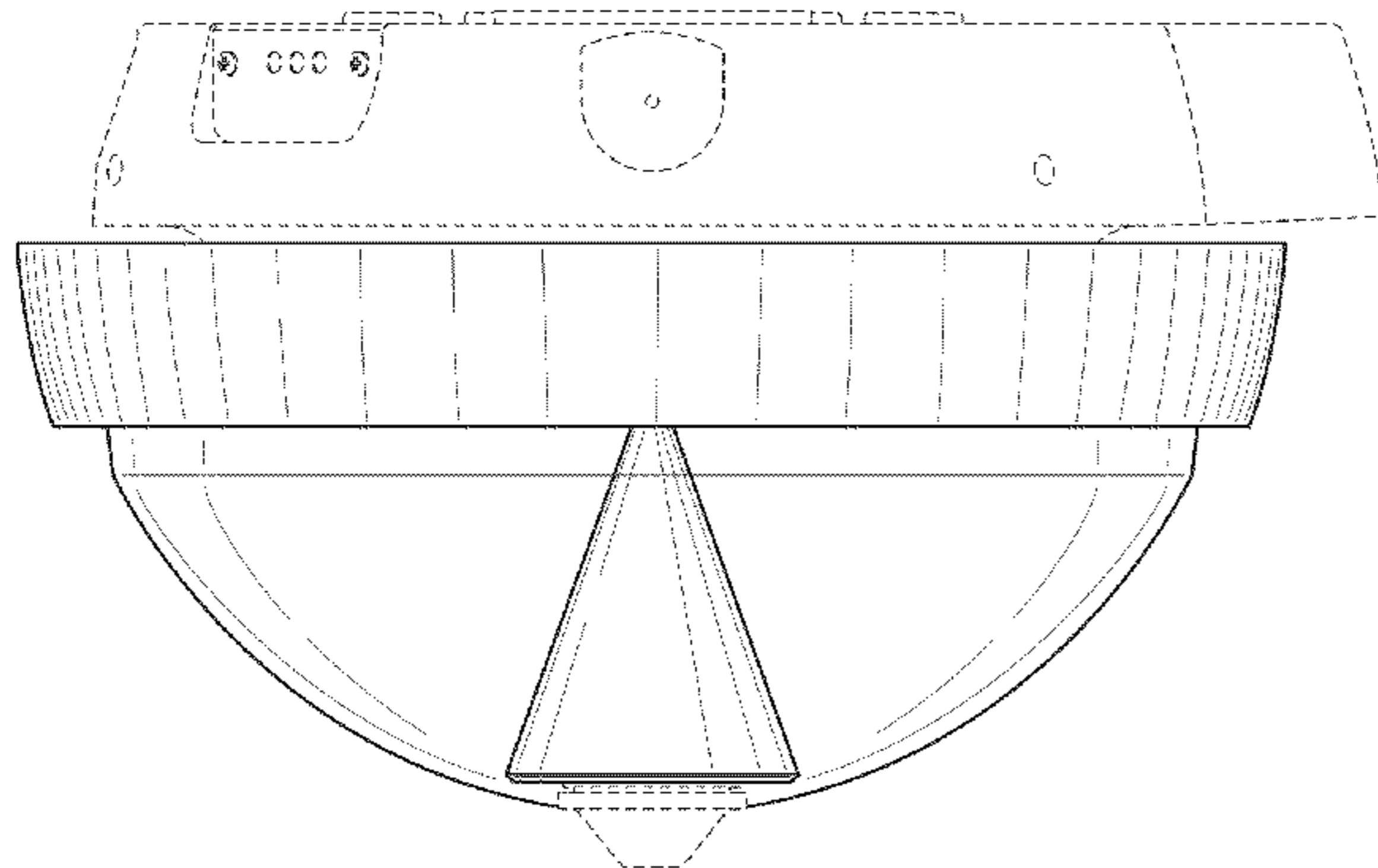
The ornamental design for a lighting fixture, as shown and described.

**DESCRIPTION**

FIG. 1 is a perspective view showing a first embodiment of a new design for a lighting fixture;  
FIG. 2 is a bottom view of the lighting fixture of FIG. 1;  
FIG. 3 is a right side view of the lighting fixture of FIG. 1;  
FIG. 4 is a rear view of the lighting fixture of FIG. 1;  
FIG. 5 is a left side view of the lighting fixture of FIG. 1;  
FIG. 6 is a front view of the lighting fixture of FIG. 1;  
FIG. 7 is a top view of the lighting fixture of FIG. 1;  
FIG. 8 is a perspective view showing a second embodiment of a new design for a lighting fixture;  
FIG. 9 is a bottom view of the lighting fixture of FIG. 8;  
FIG. 10 is a right-side view of the lighting fixture of FIG. 8;  
FIG. 11 is a rear view of the lighting fixture of FIG. 8;  
FIG. 12 is a left-side view of the lighting fixture of FIG. 8;  
FIG. 13 is a front view of the lighting fixture of FIG. 8;  
FIG. 14 is a top view of the lighting fixture of FIG. 8;  
FIG. 15 is a perspective view showing a third embodiment of a new design for a lighting fixture;  
FIG. 16 is a bottom view of the lighting fixture of FIG. 15;  
FIG. 17 is a right-side view of the lighting fixture of FIG. 15;  
FIG. 18 is a rear view of the lighting fixture of FIG. 15;  
FIG. 19 is a left-side view of the lighting fixture of FIG. 15;  
FIG. 20 is a front view of the lighting fixture of FIG. 15; and,  
FIG. 21 is a top view of the lighting fixture of FIG. 15.

The dashed lines showing portions of the lighting fixture are included for the purpose of illustrating environment and form no part of the claimed design.

**1 Claim, 21 Drawing Sheets**



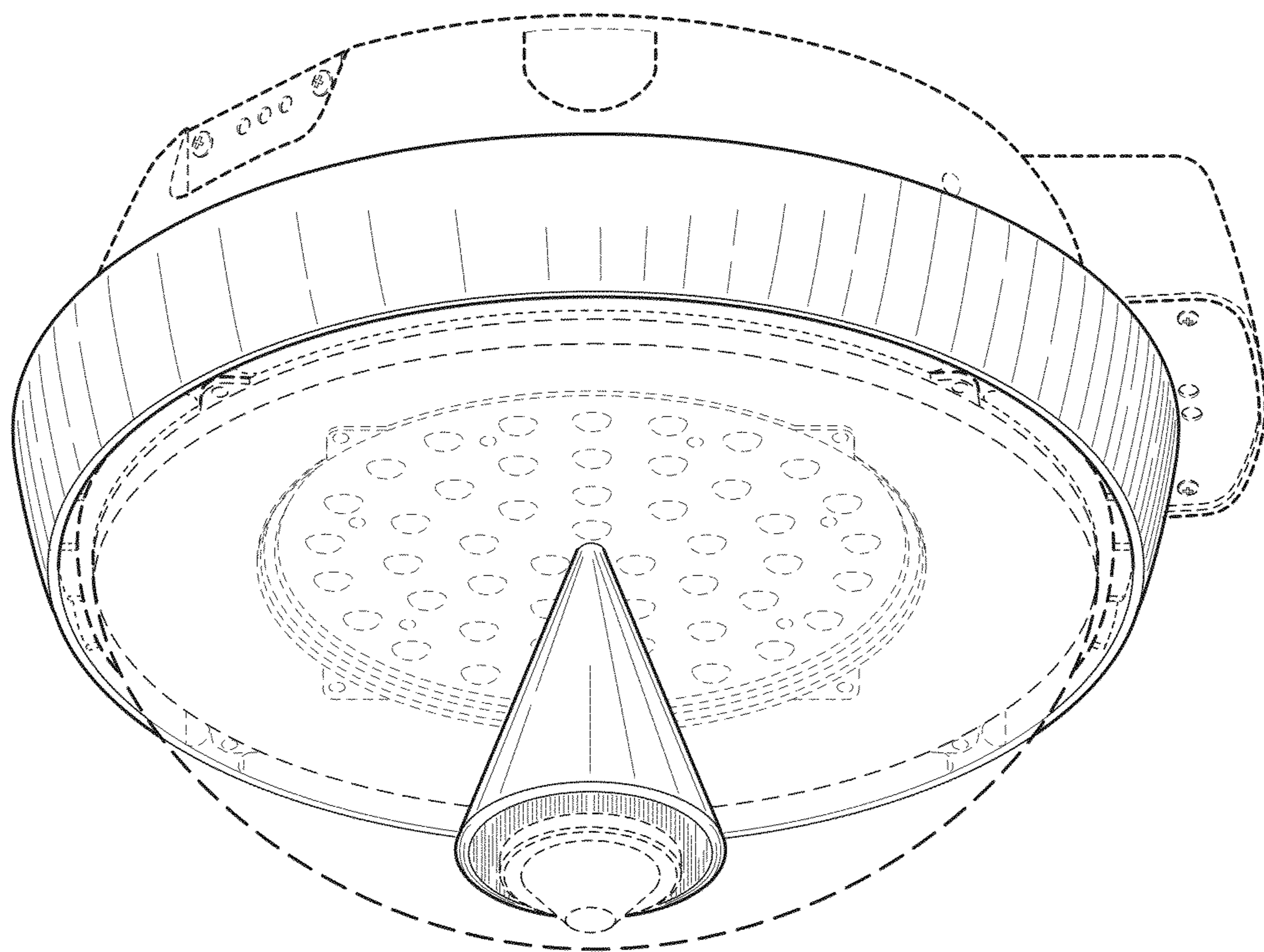
(56)

References Cited

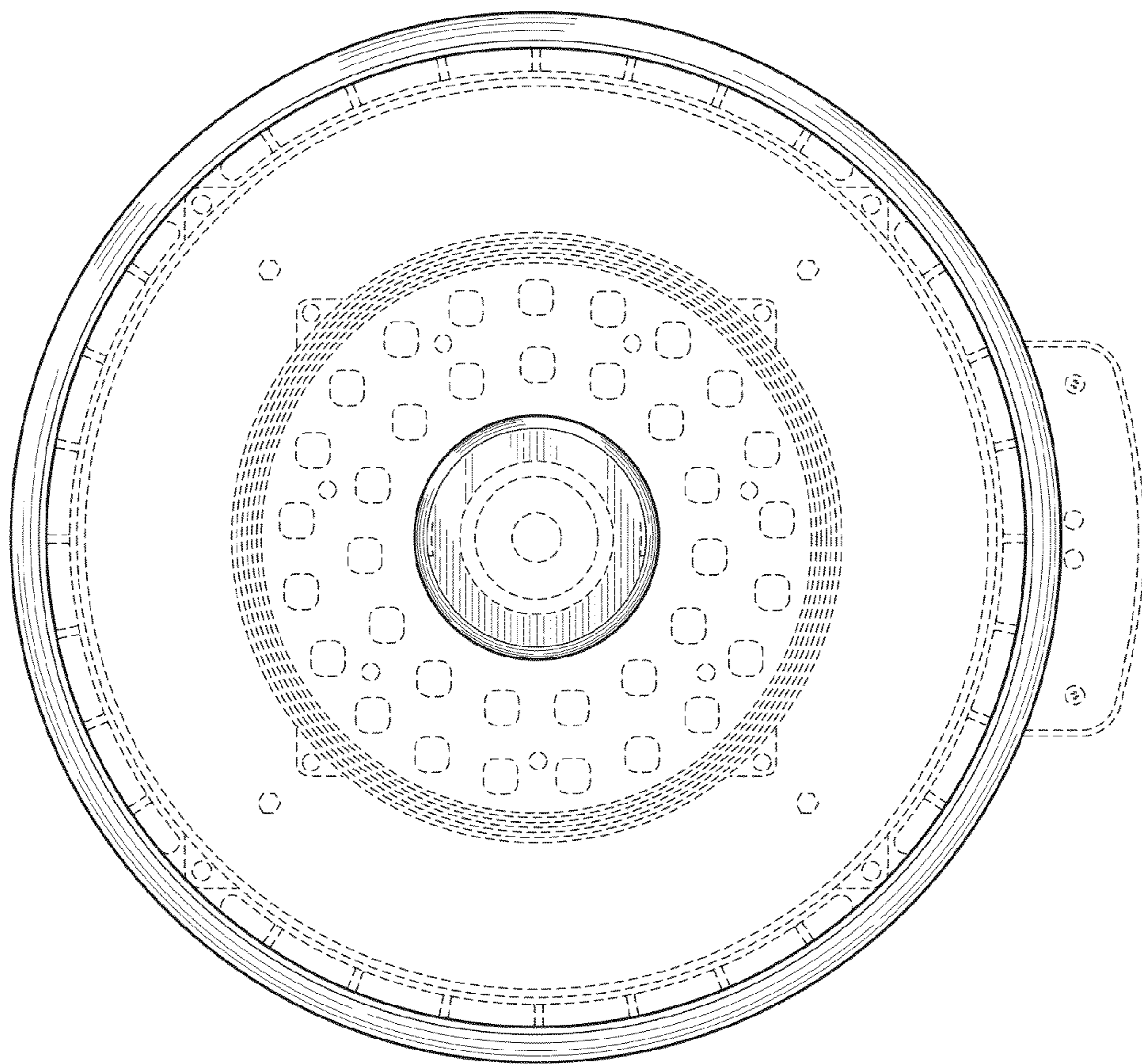
U.S. PATENT DOCUMENTS

3,065,339	A *	11/1962	Fahey, Jr. ....	F21S 8/086 362/264	7,611,264	B1 *	11/2009	Chang .....	F21K 9/00 362/249.02
D230,071	S *	1/1974	Anderson .....	D26/67	D624,684	S *	9/2010	Hemby .....	D26/71
D294,523	S *	3/1988	Ewing .....	D26/71	D628,738	S *	12/2010	Chen .....	D26/89
D294,646	S *	3/1988	Ewing .....	D26/71	D639,996	S *	6/2011	Stolte .....	D26/89
D329,714	S *	9/1992	McIngvale, Jr. ....	D26/71	D643,959	S *	8/2011	Hemby .....	D26/71
D393,093	S *	3/1998	Fiorato .....	D26/85	8,240,885	B2 *	8/2012	Miller .....	F21S 8/038 362/294
D465,599	S *	11/2002	Thompson .....	D26/89	D668,811	S *	10/2012	Peter .....	D26/89
6,523,982	B1 *	2/2003	Haddad .....	F21A 8/088 362/267	D691,763	S *	10/2013	Hand .....	D26/89
D535,051	S *	1/2007	Stauffer .....	D26/128	9,062,843	B2 *	6/2015	Rami .....	F21S 8/086
D571,034	S *	6/2008	Goetz-Schaefer .....	D26/85	2009/0073689	A1 *	3/2009	Patrick .....	F21V 15/01 362/234
D583,091	S *	12/2008	Benensohn .....	D26/89	2009/0296403	A1 *	12/2009	Zhang .....	F21S 8/033 362/294
D588,300	S *	3/2009	Sabernig .....	D26/86	2012/0176792	A1 *	7/2012	Stolte .....	F21V 29/004 362/243

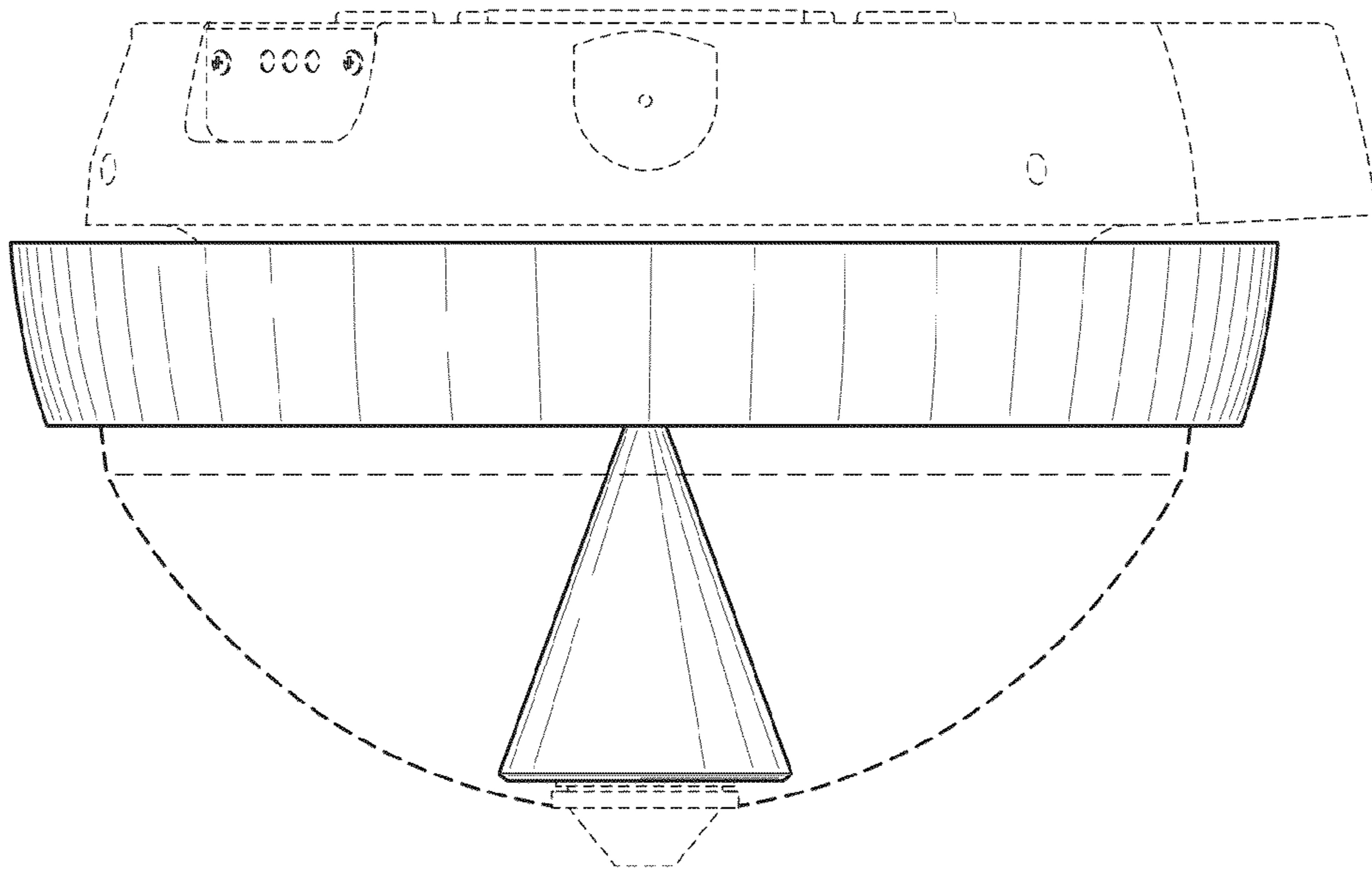
\* cited by examiner



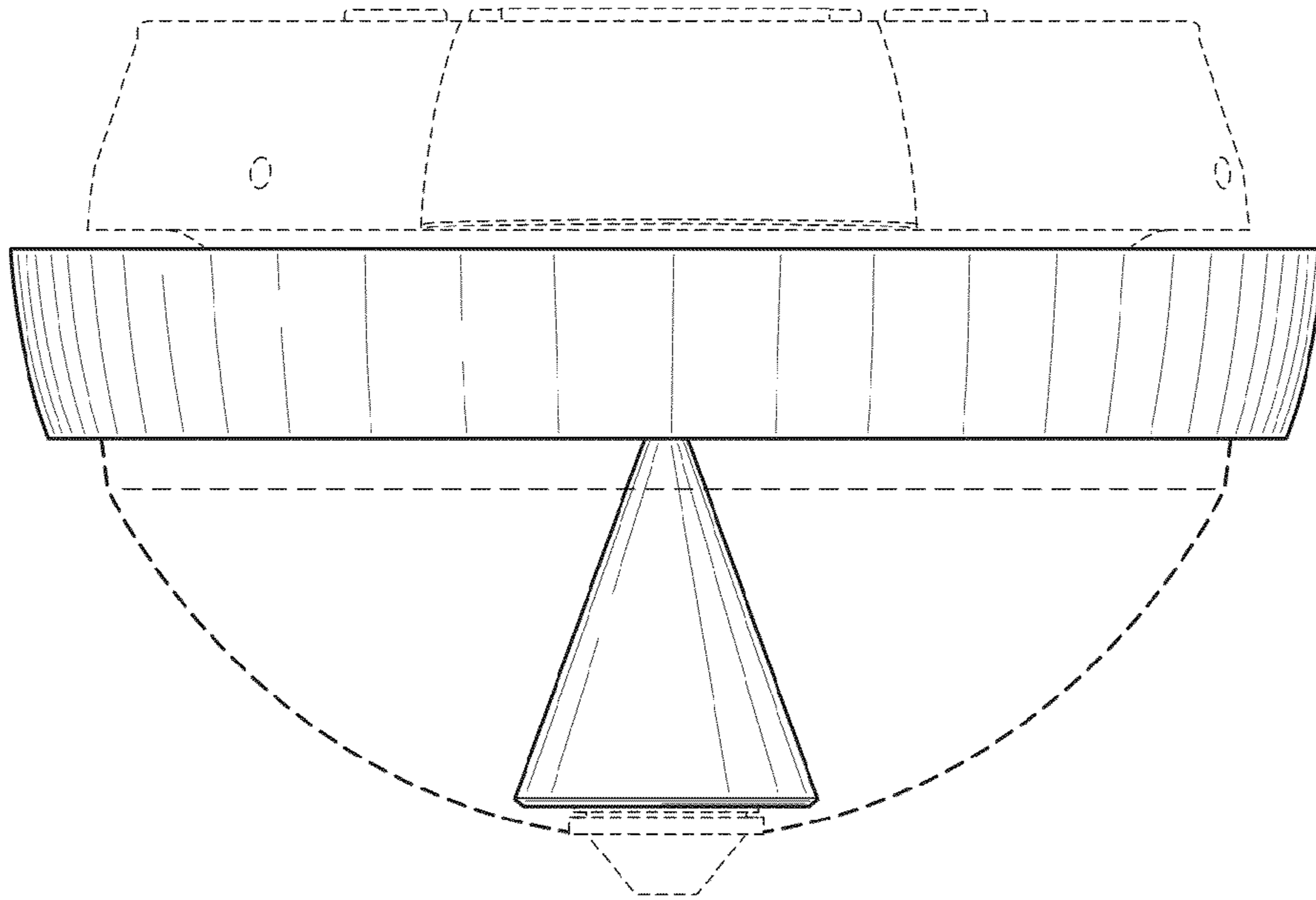
**FIG. 1**



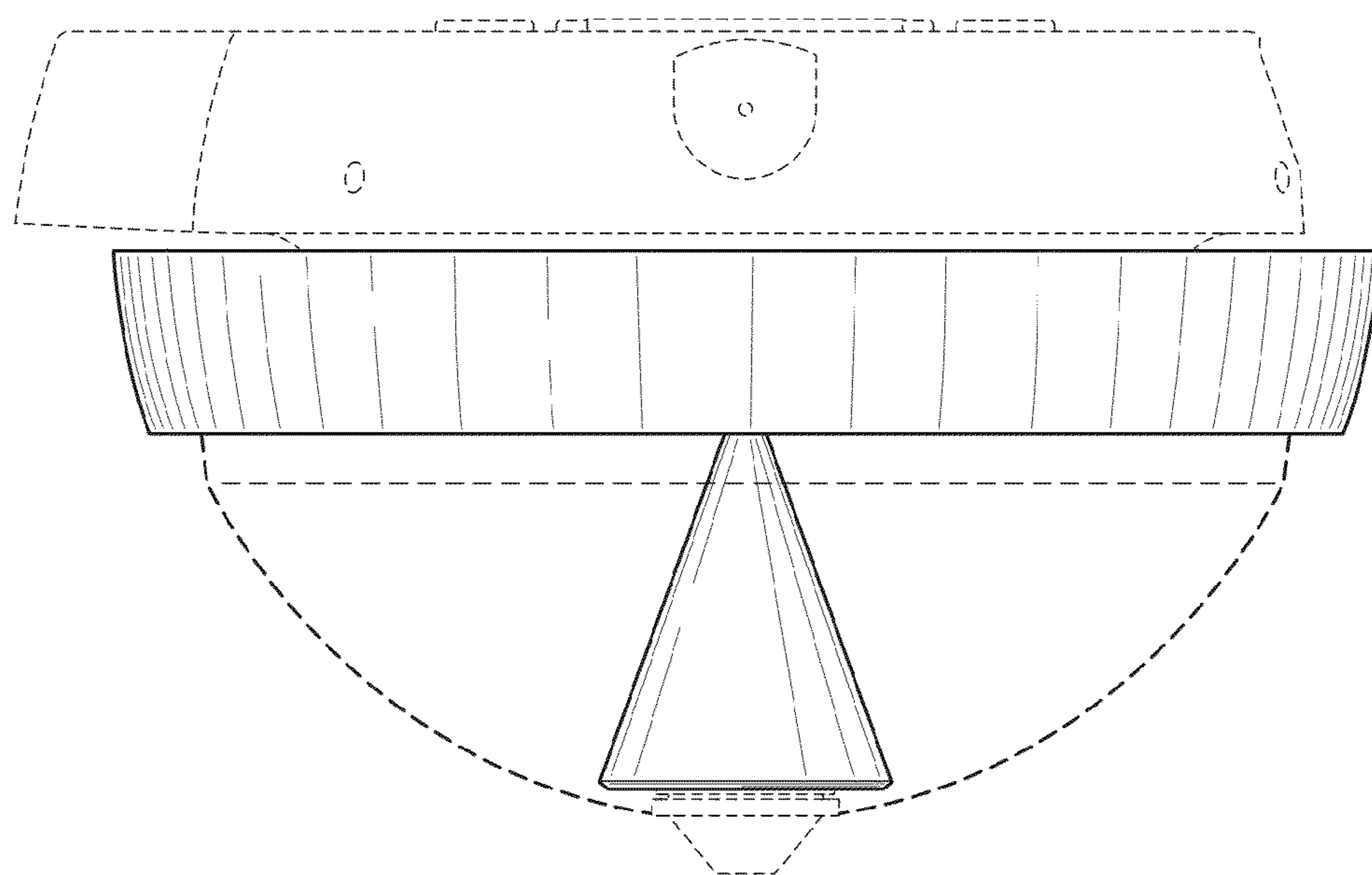
**FIG. 2**



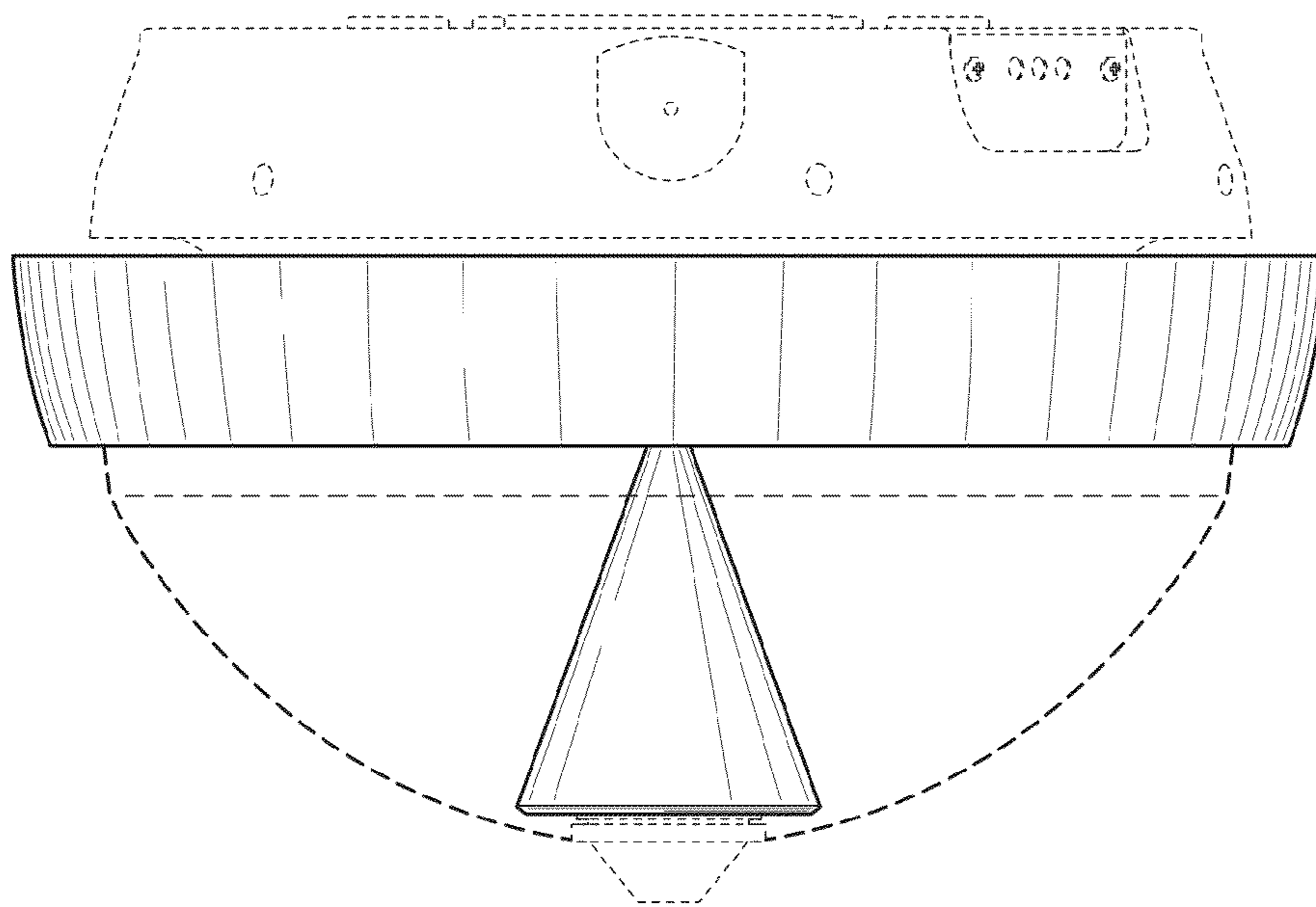
**FIG. 3**



**FIG. 4**

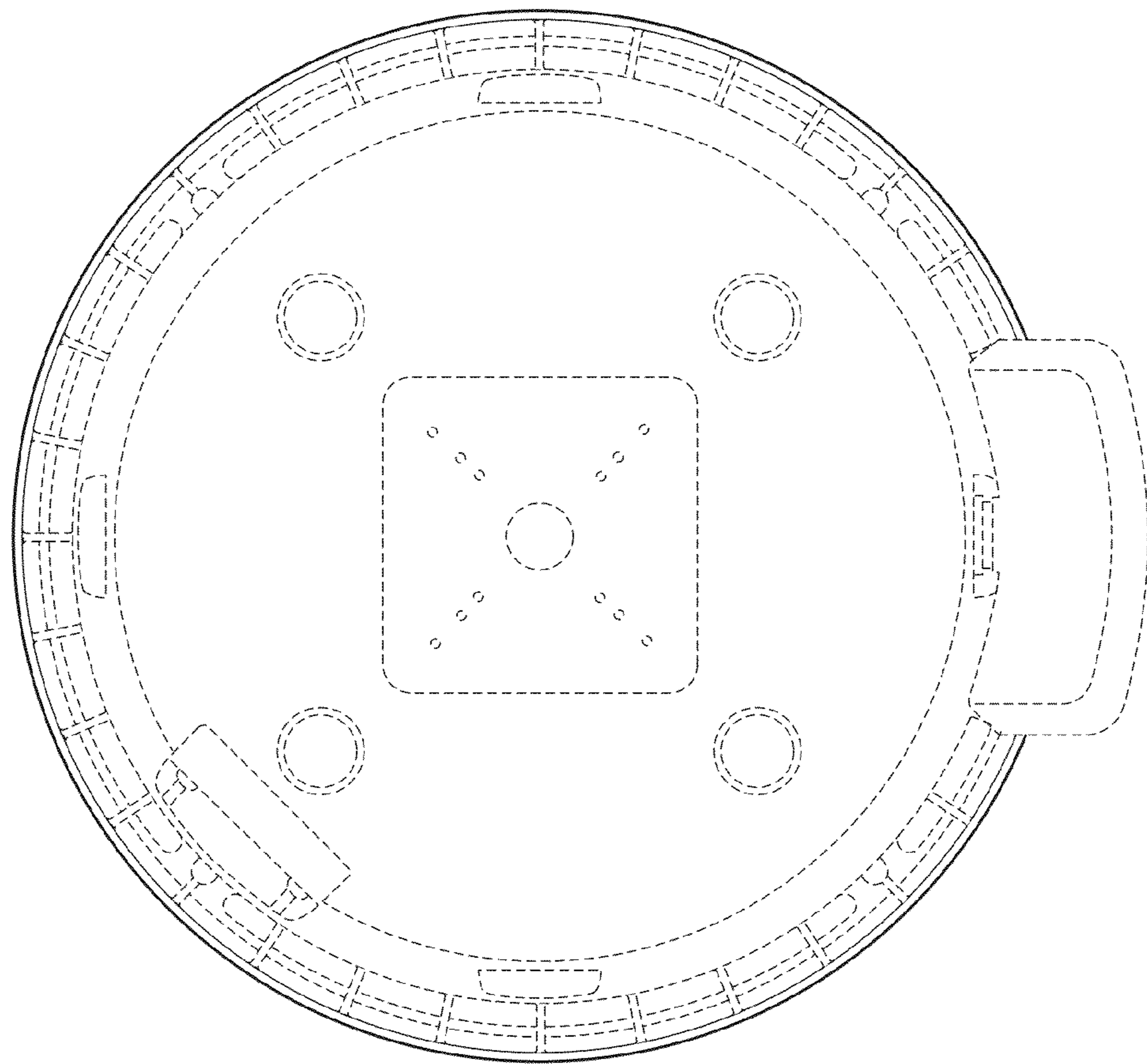


**FIG. 5**

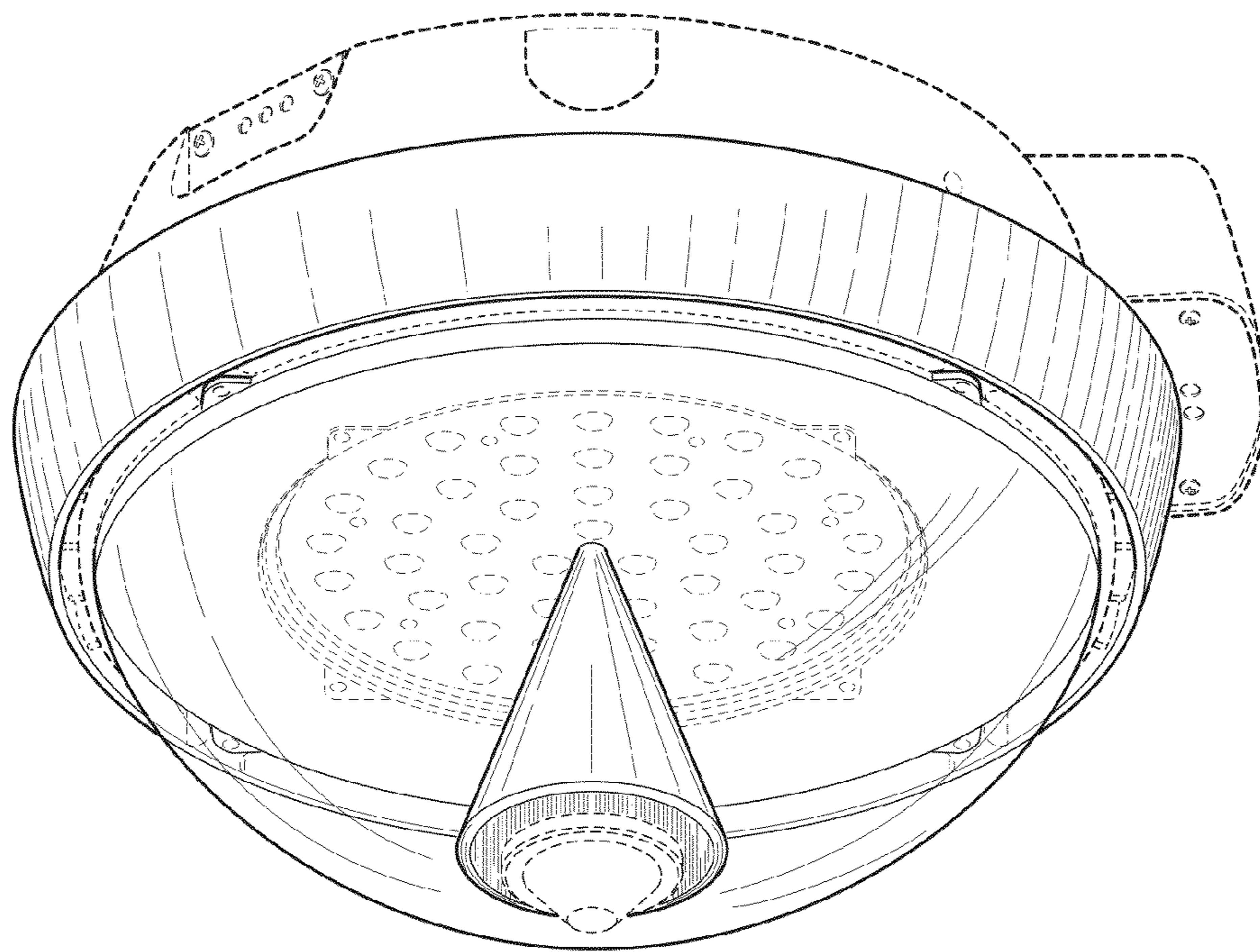


**FIG. 6**

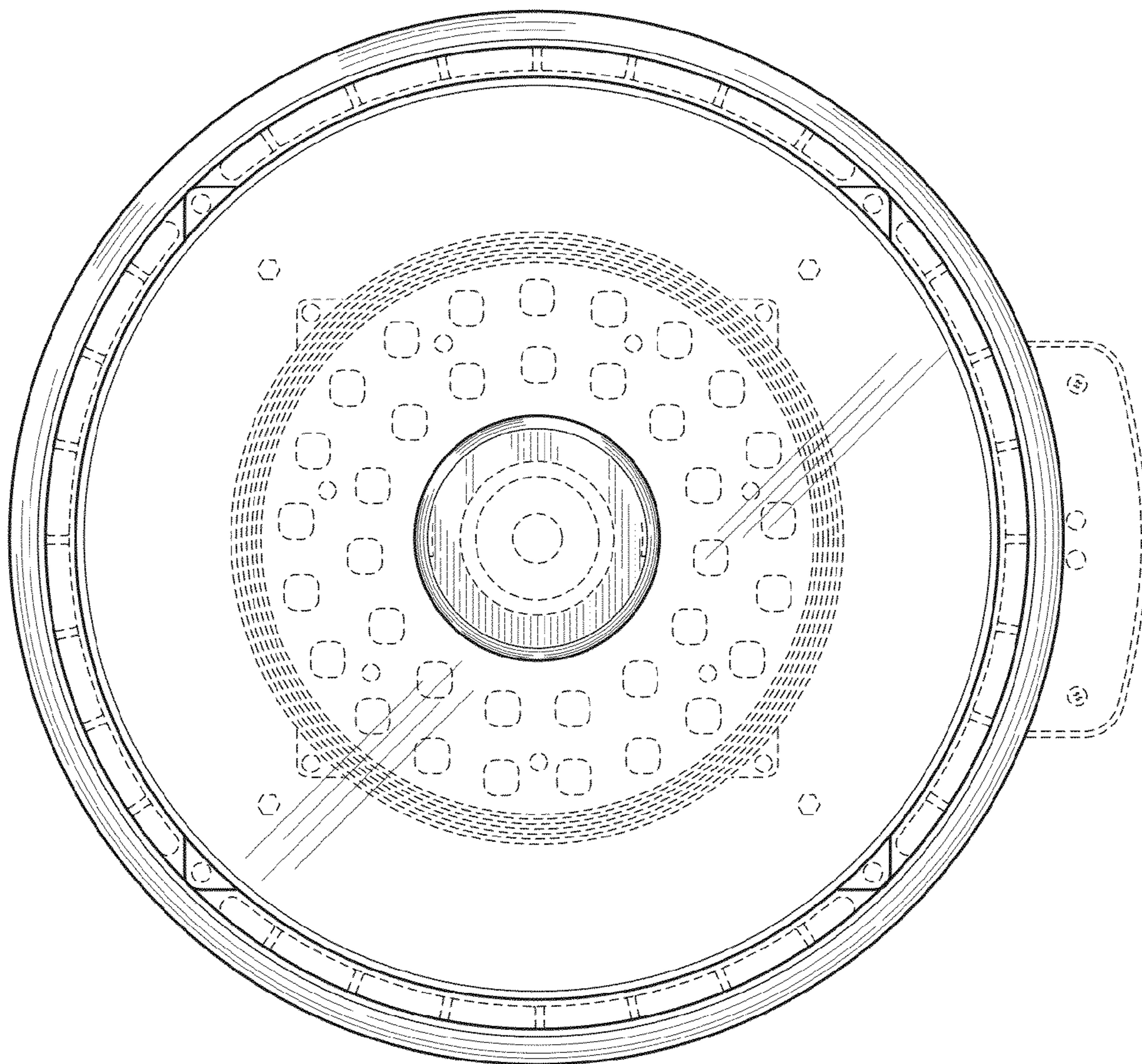




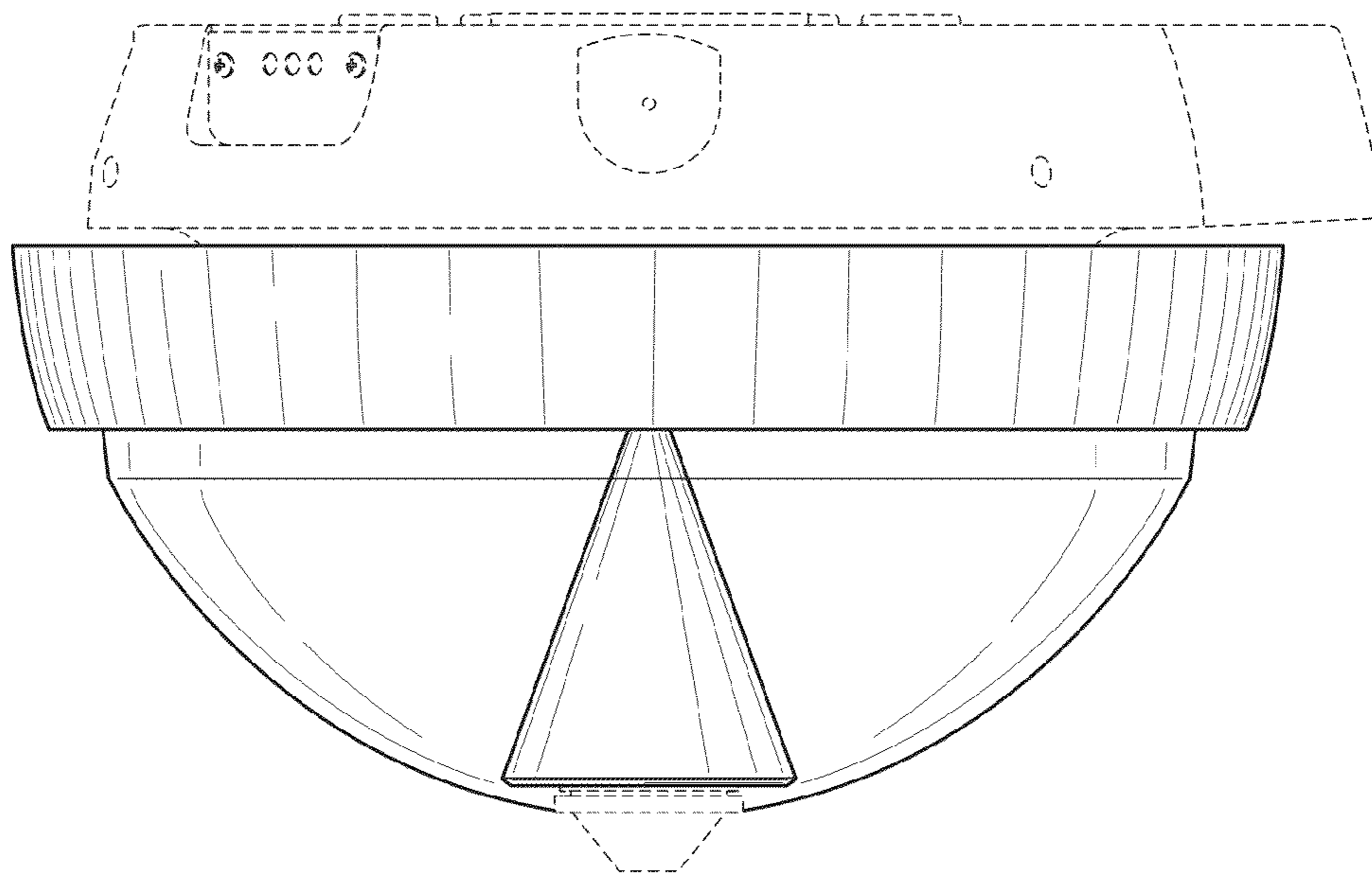
**FIG. 7**



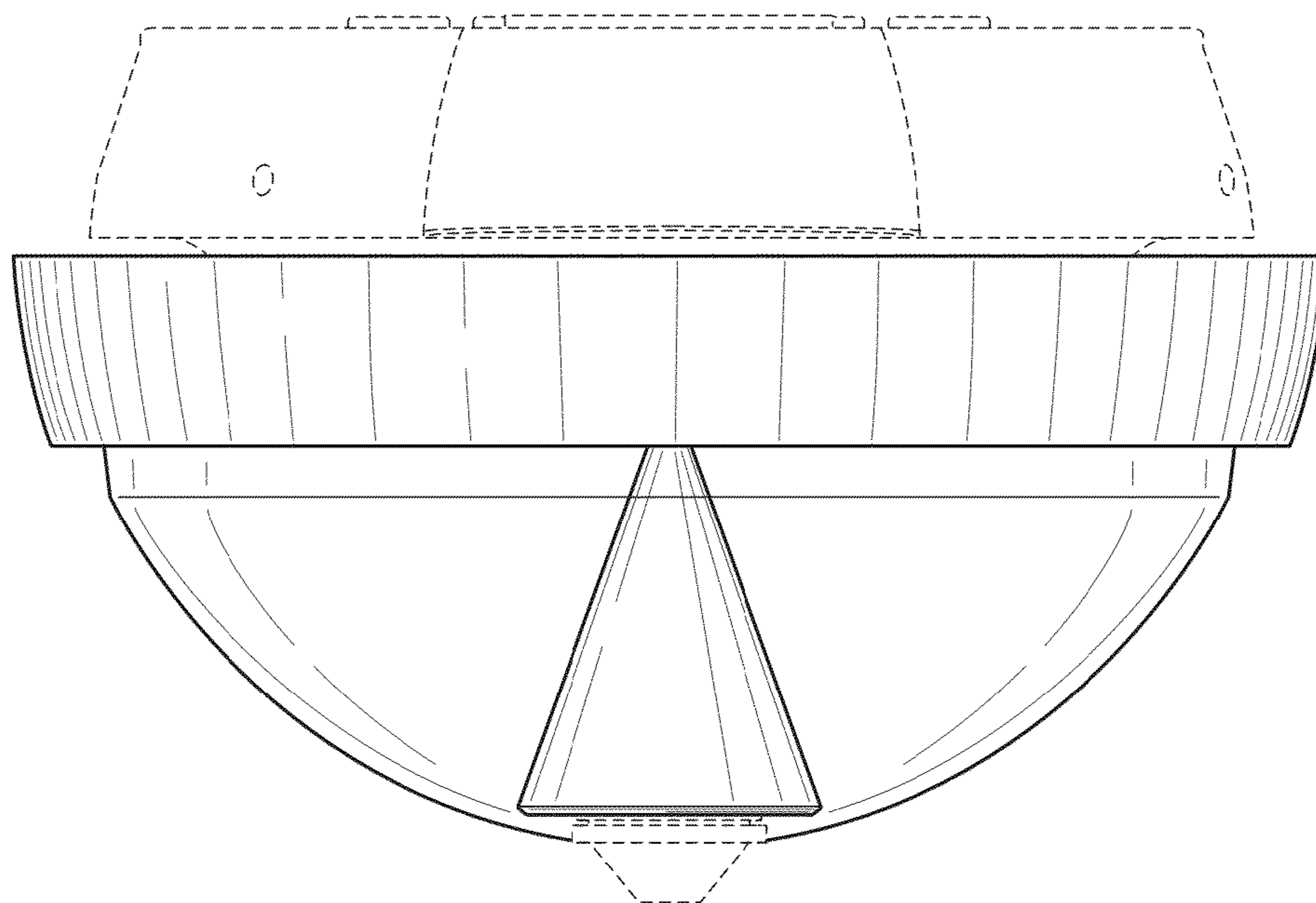
**FIG. 8**



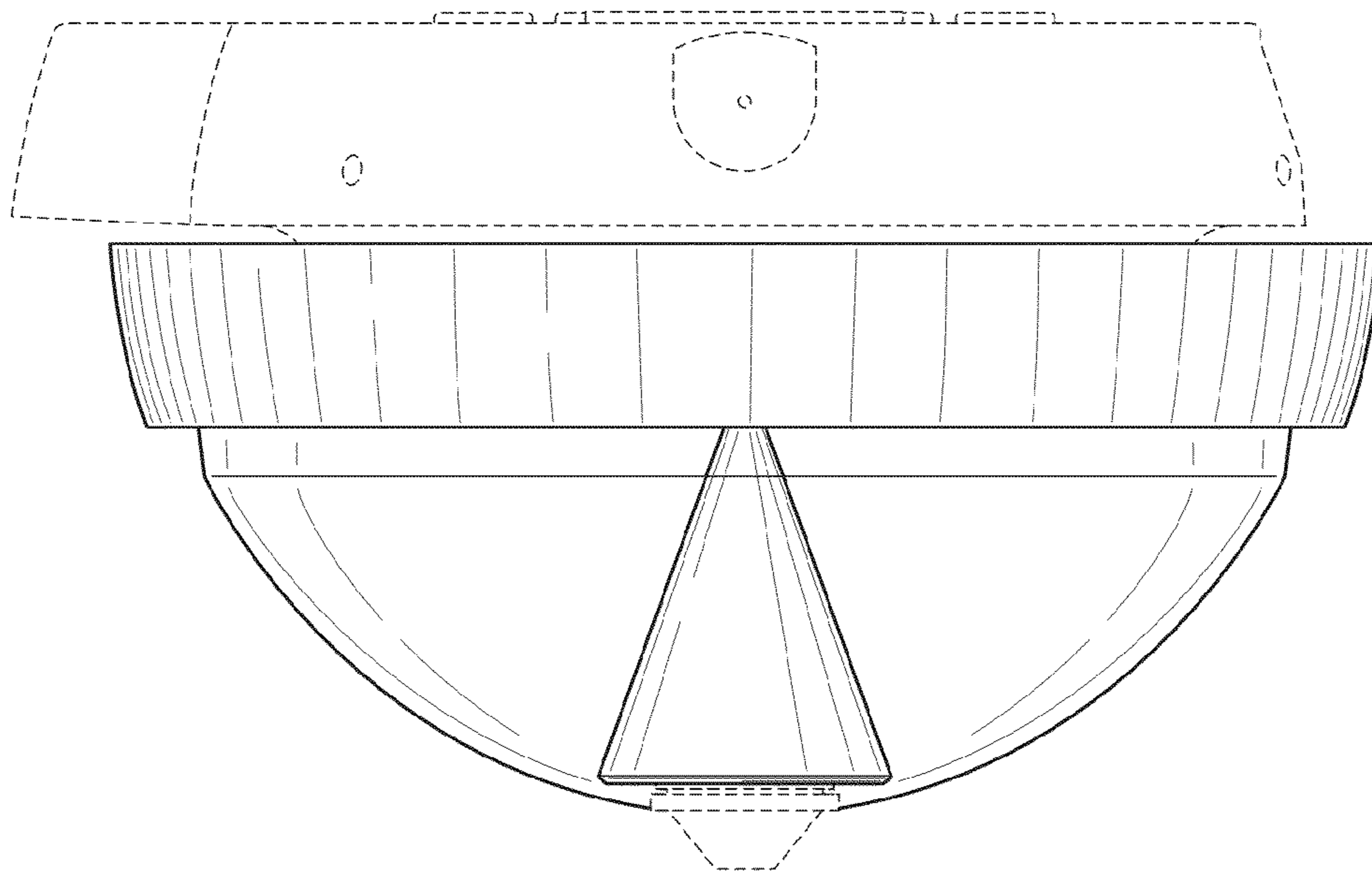
**FIG. 9**



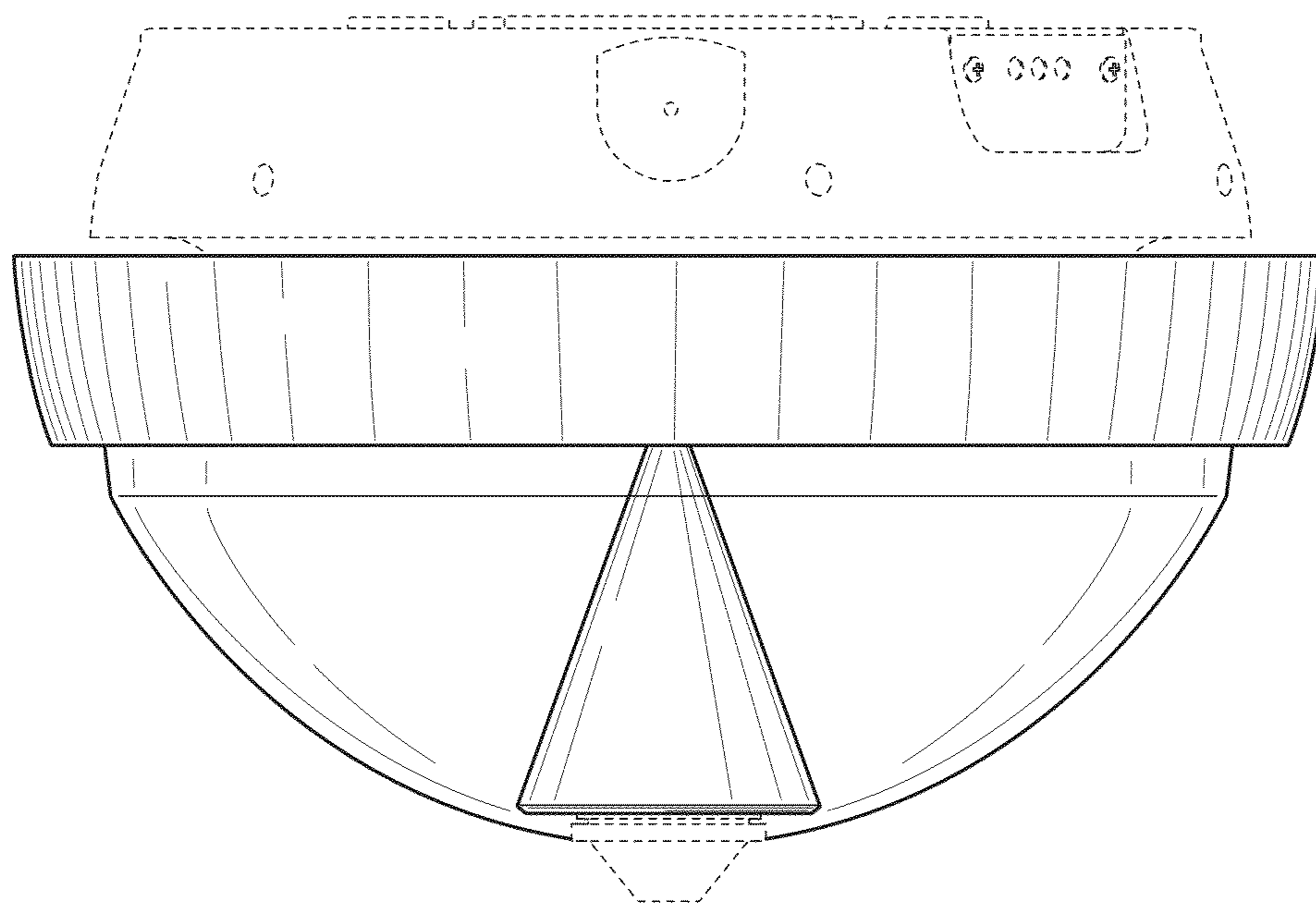
**FIG. 10**



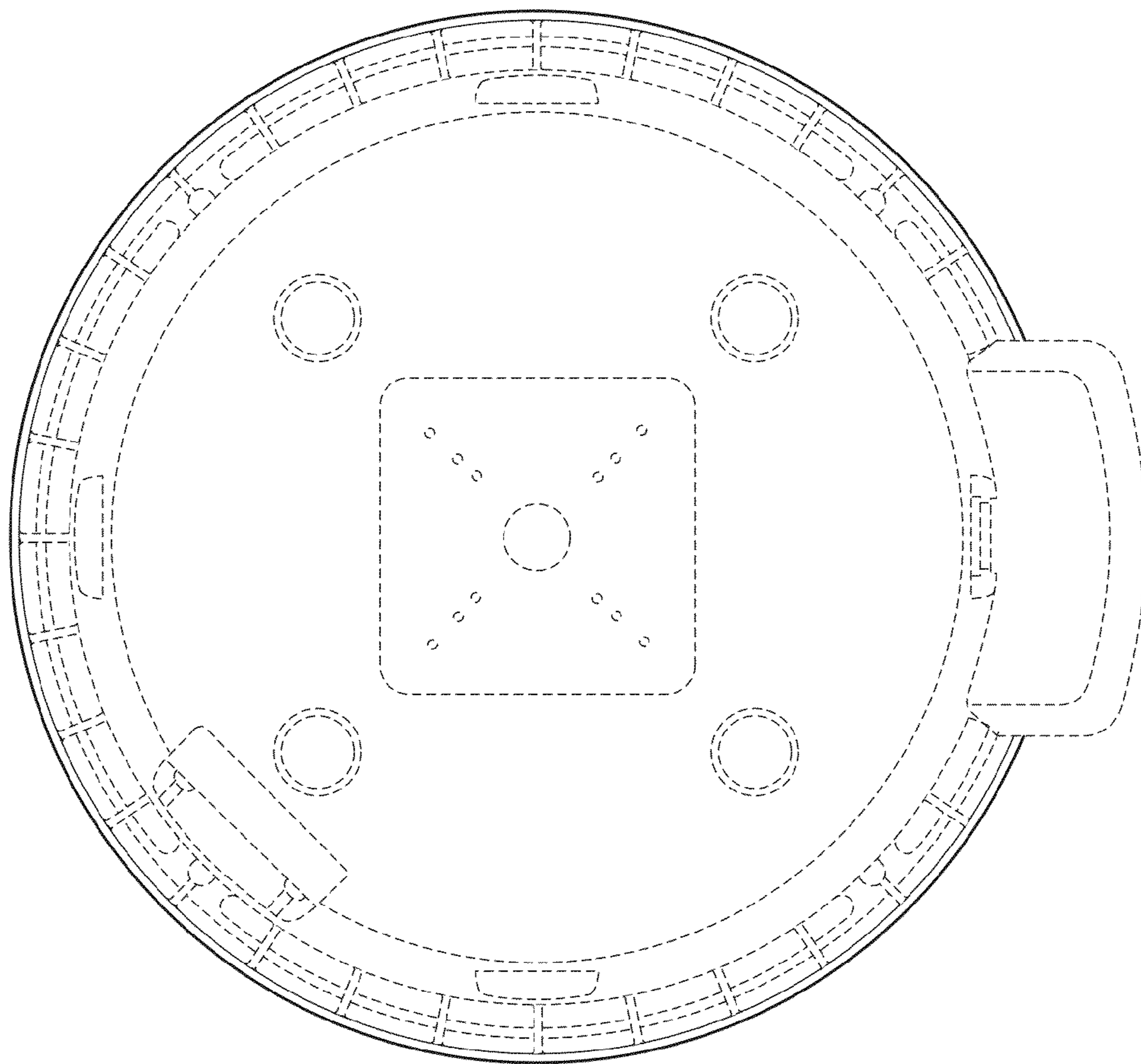
**FIG. 11**



**FIG. 12**

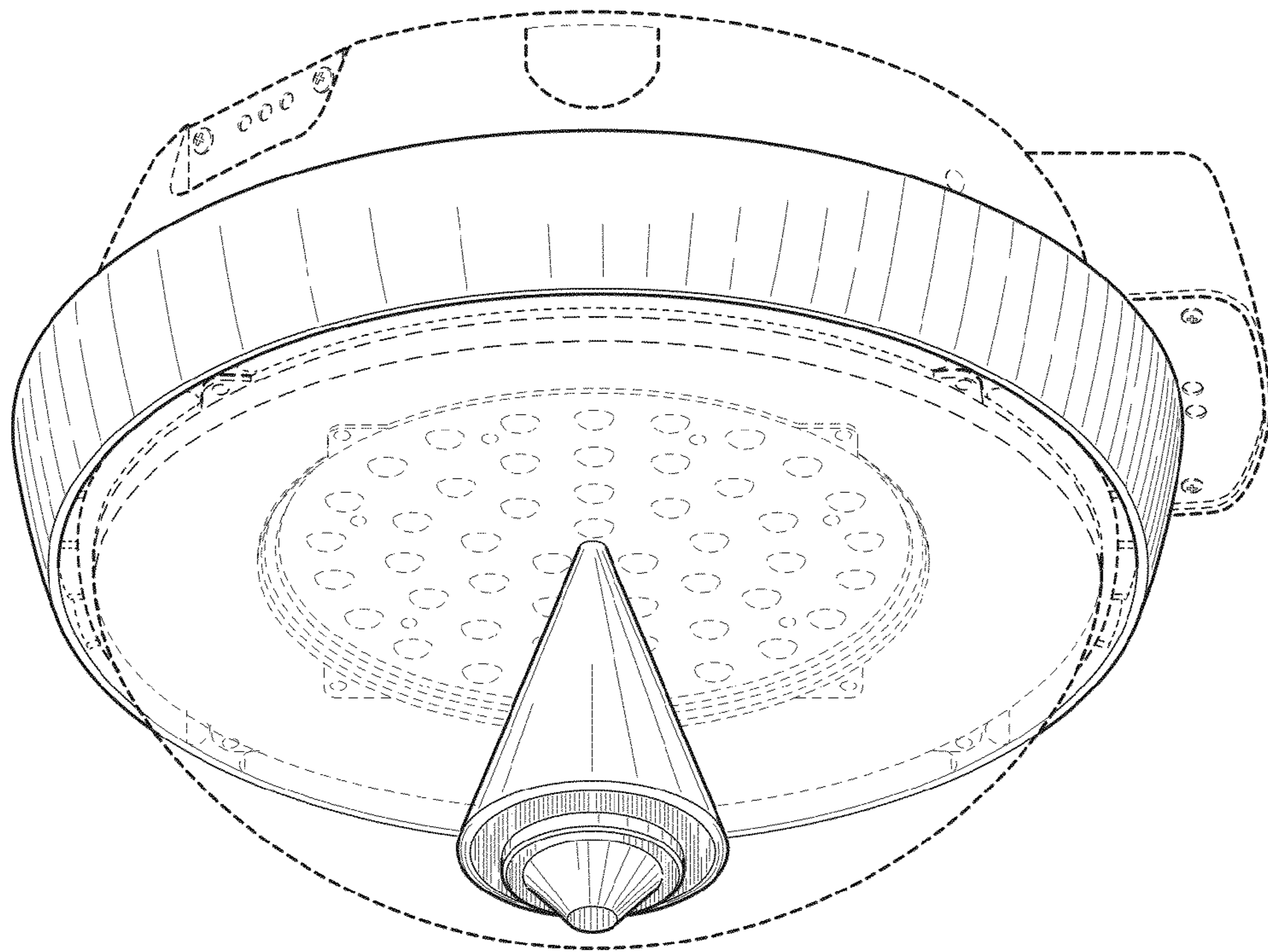


**FIG. 13**

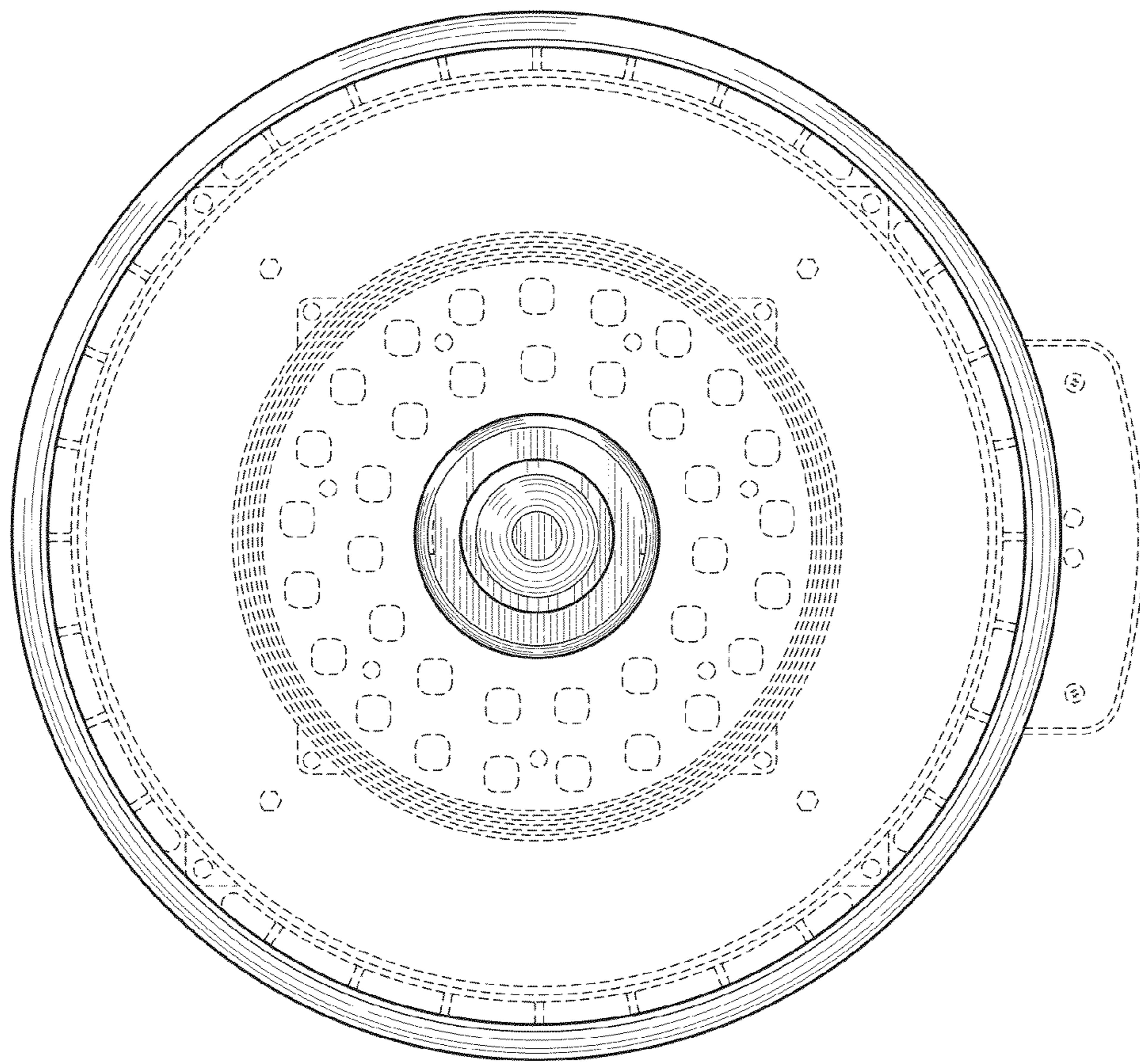


**FIG. 14**

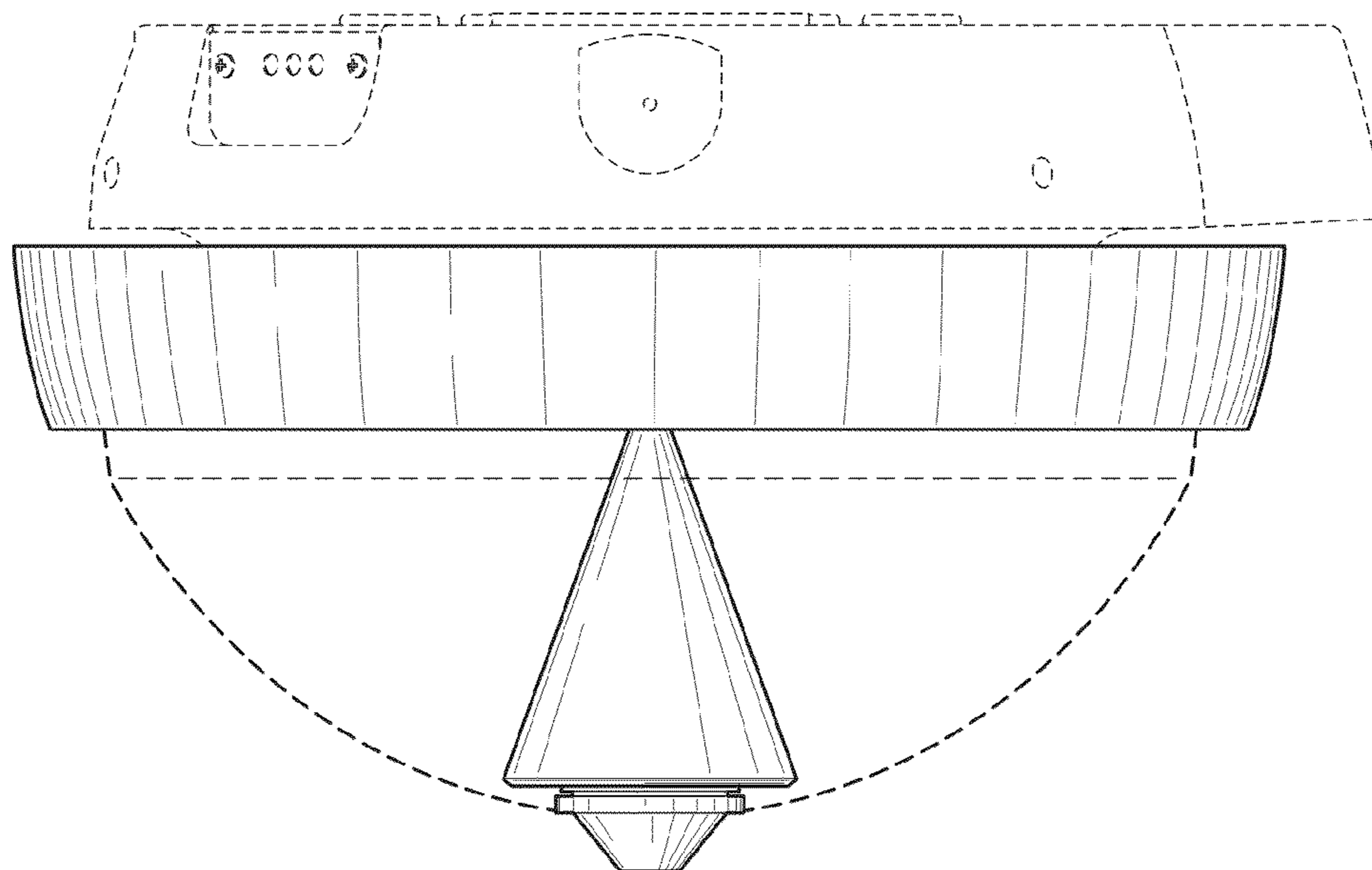




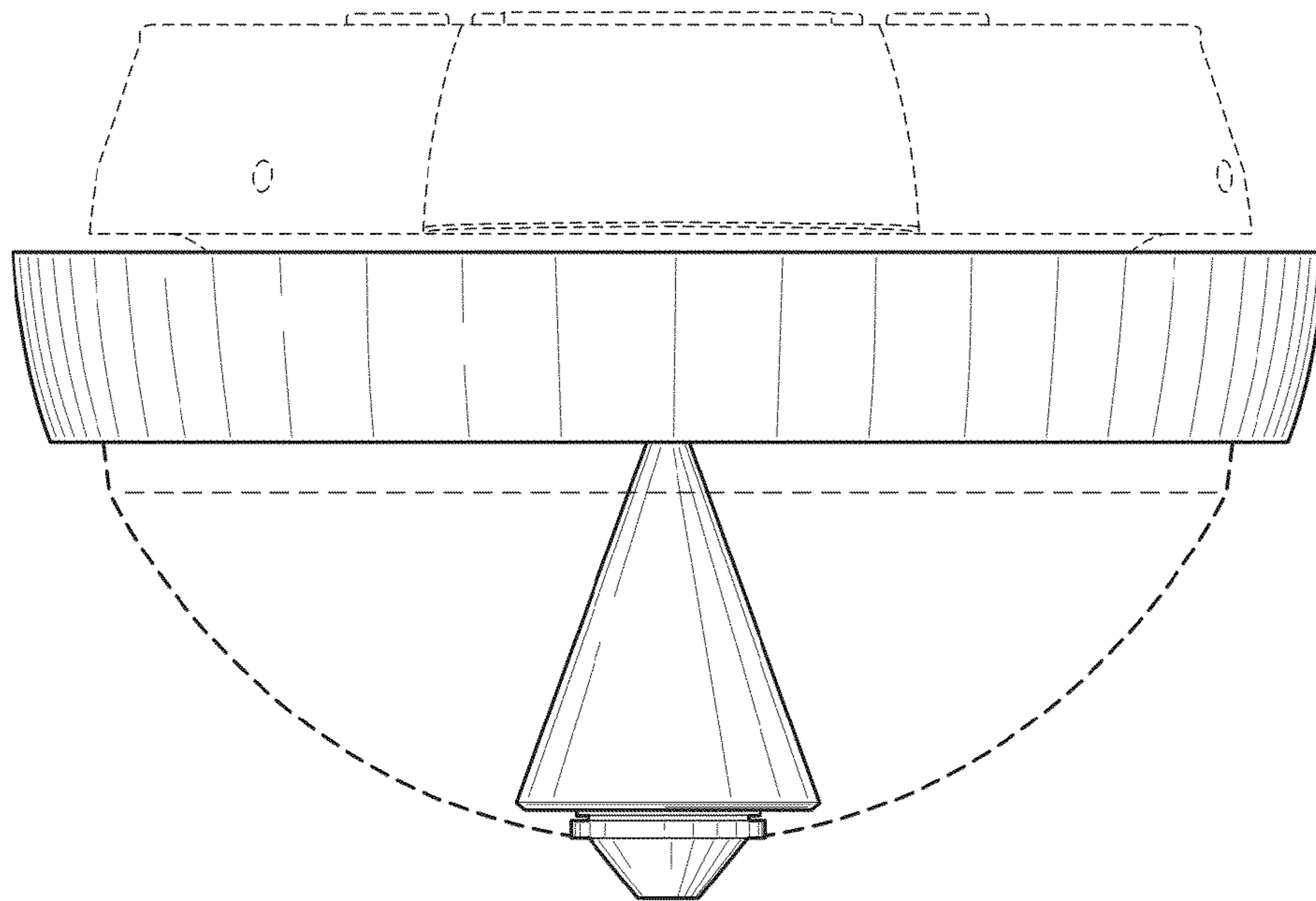
**FIG. 15**



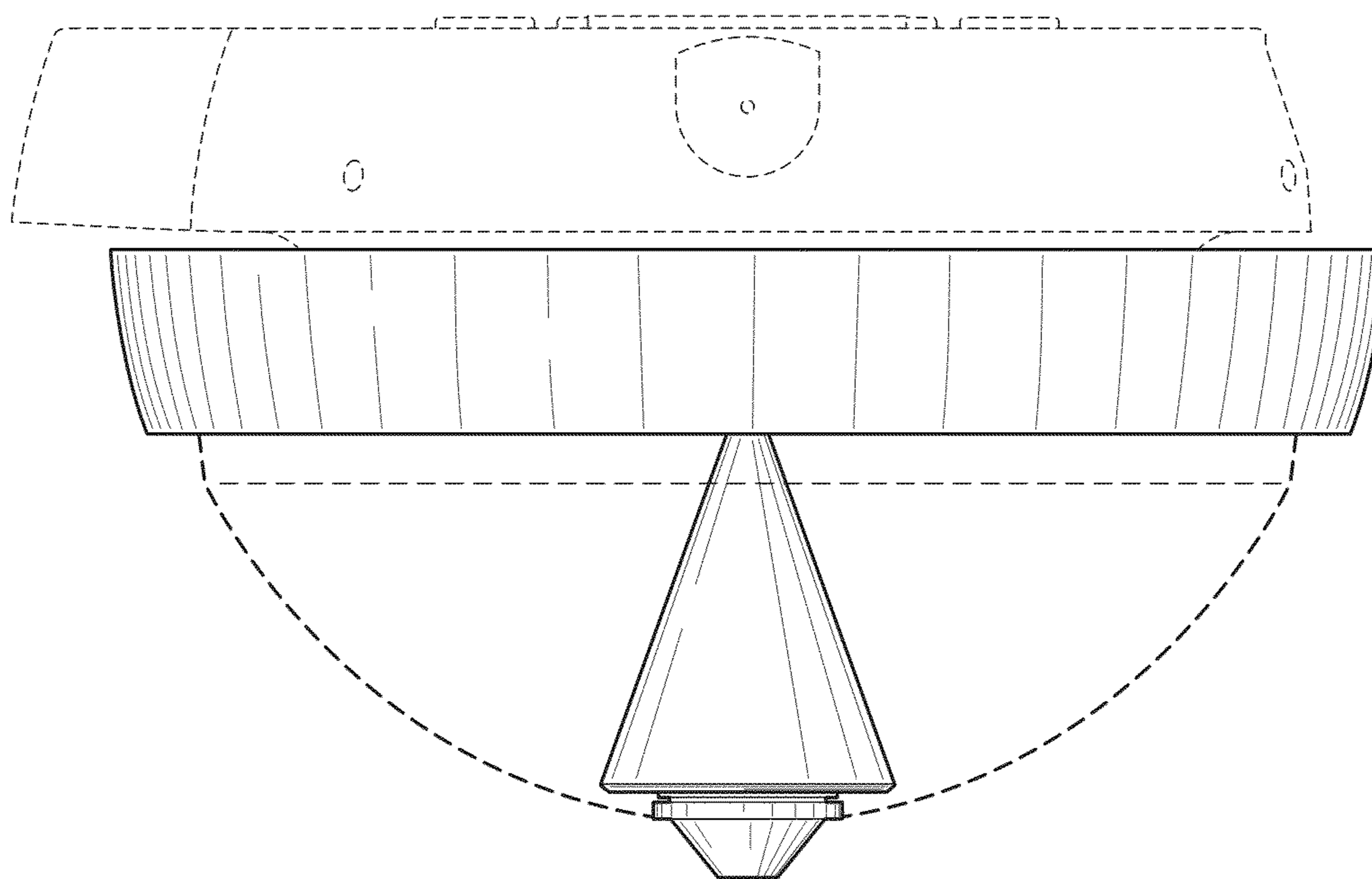
**FIG. 16**



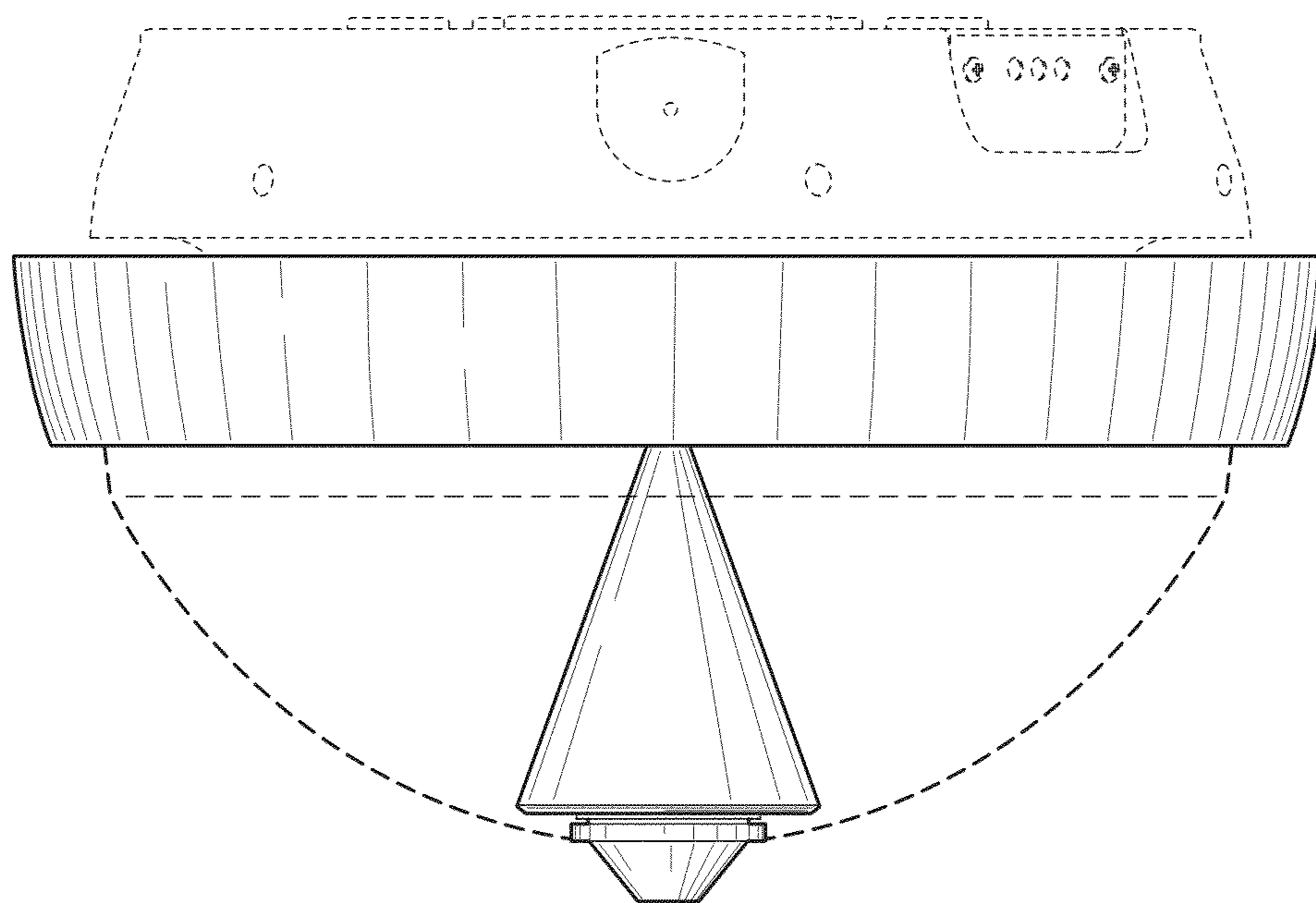
**FIG. 17**



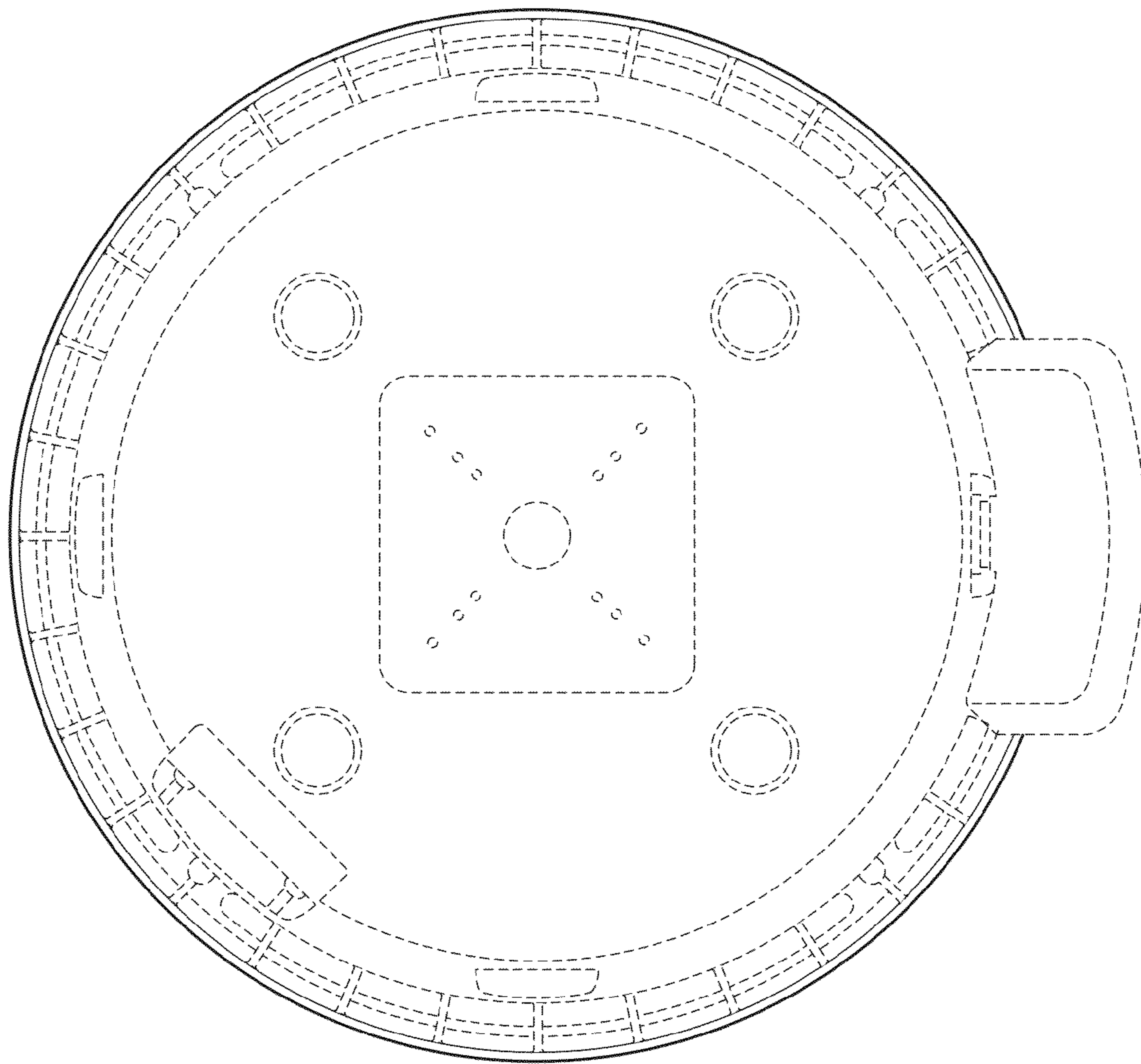
**FIG. 18**



**FIG. 19**



**FIG. 20**



**FIG. 21**