

US00D758636S

(12) **United States Design Patent**  
**Breedlove, Sr.**

(10) **Patent No.:** **US D758,636 S**  
(45) **Date of Patent:** **\*\* Jun. 7, 2016**

(54) **OUTDOOR LIGHT**

(71) Applicant: **Volt, LLC**, Tampa, FL (US)  
(72) Inventor: **Michael Grant Breedlove, Sr.**, Odessa, FL (US)

(73) Assignee: **Volt, LLC**, Tampa, FL (US)

(\*\*) Term: **14 Years**

(21) Appl. No.: **29/521,163**

(22) Filed: **Mar. 20, 2015**

(51) **LOC (10) Cl.** ..... **26-03**

(52) **U.S. Cl.**  
USPC ..... **D26/85; D26/67**

(58) **Field of Classification Search**  
USPC ..... D26/26, 28, 67, 72, 76, 85, 89  
CPC ..... F21S 8/00; F21S 8/03; F21S 8/04;  
F21S 8/033; F21S 8/036; F21S 8/037; F21V  
1/14; F21V 21/02; F21V 21/03; F21V 5/04;  
F21W 2121/004; F21W 2111/08; F21W  
2131/1005; F21W 2131/107; F21W 2131/402  
See application file for complete search history.

(56) **References Cited**

**U.S. PATENT DOCUMENTS**

D283,647 S *	4/1986	Schumann	.....	D26/37
D508,577 S *	8/2005	Foo	.....	D26/28
D561,372 S *	2/2008	Yan	.....	D26/72
D574,104 S *	7/2008	Sanoner	.....	D26/67
7,862,196 B1 *	1/2011	Pever	.....	F21S 8/033 362/145
D692,171 S *	10/2013	Randolph	.....	D26/67
D705,971 S *	5/2014	Lund-Hermansen	.....	D26/113
D715,976 S *	10/2014	Chou	.....	D26/28
D743,079 S *	11/2015	Adair	.....	D26/67
2005/0168977 A1 *	8/2005	Murphy	.....	F21S 8/033 362/191

**OTHER PUBLICATIONS**

“Installation Instructions—VOLT Low Voltage Landscape Lighting Deck Light Solid Brass 600 Series,” 2014.  
“Product Specifications—VOLT Low Voltage Lighting, VOLT BuddyPro LED Puck Light,” 2015.

\* cited by examiner

*Primary Examiner* — Clare E Heflin

(74) *Attorney, Agent, or Firm* — Nelson Mullins Riley & Scarborough, LLP

(57) **CLAIM**

The ornamental design for an outdoor light, as shown and described.

**DESCRIPTION**

FIG. 1 is a first perspective view of an outdoor light embodying the design of the present invention.

FIG. 2 is a second perspective view of an outdoor light illustrated in FIG. 1.

FIG. 3 is a top view of an outdoor light illustrated in FIG. 1.

FIG. 4 is a bottom view of an outdoor light illustrated in FIG. 1.

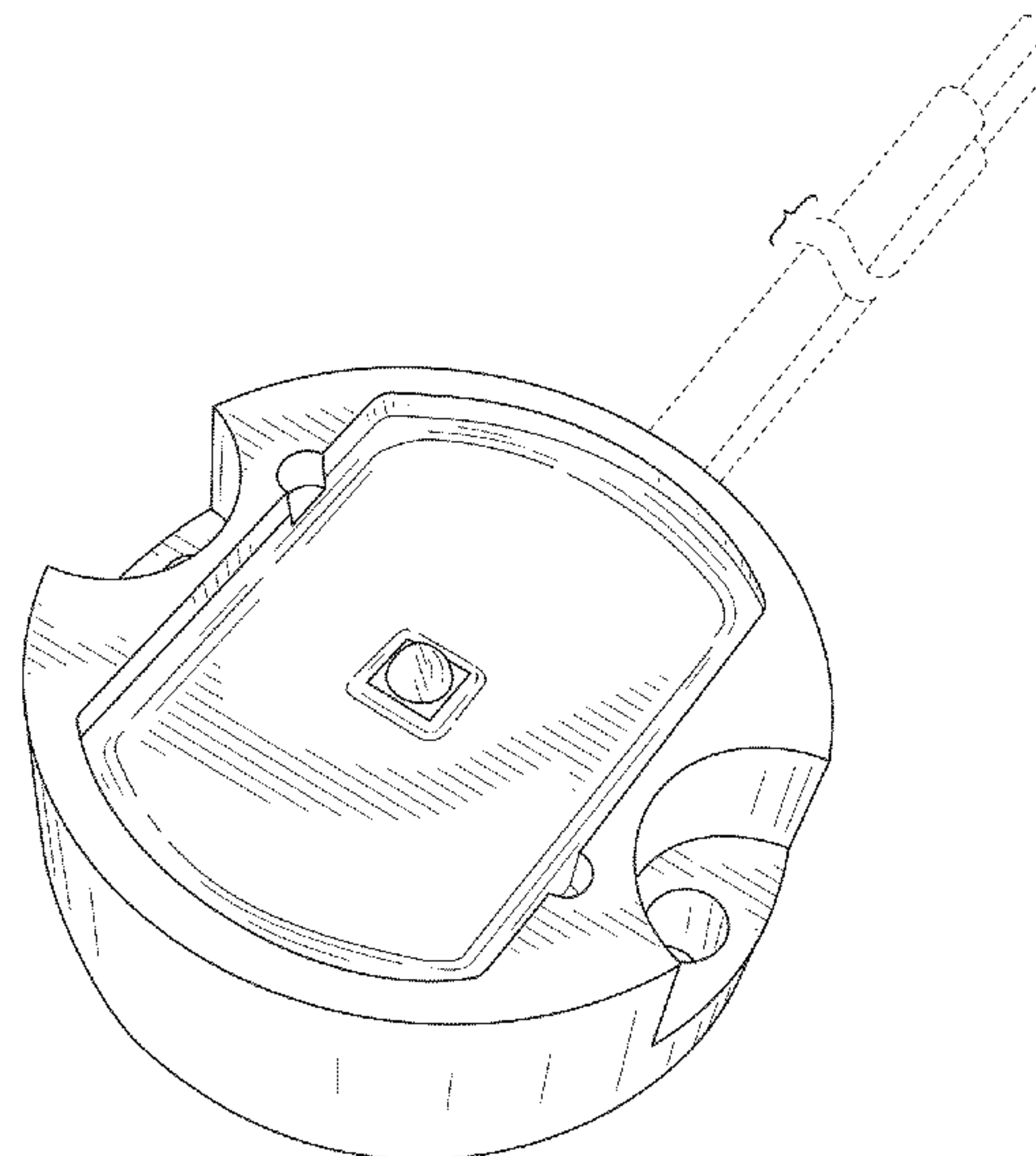
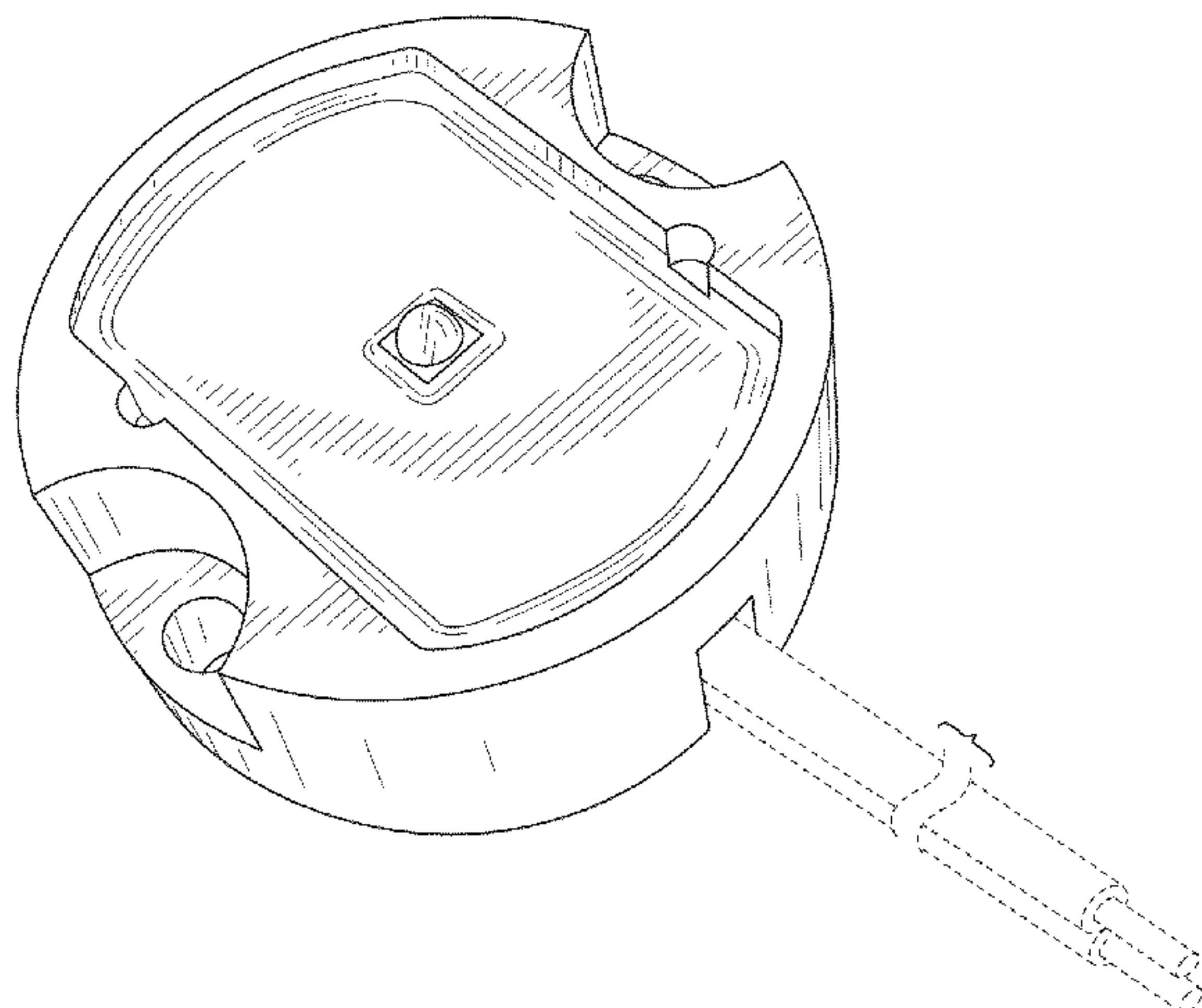
FIG. 5 is a right side elevational view of an outdoor light illustrated in FIG. 1.

FIG. 6 is a left side elevational view of an outdoor light illustrated in FIG. 1.

FIG. 7 is a front view of an outdoor light illustrated in FIG. 1; and,

FIG. 8 is a back view of an outdoor light illustrated in FIG. 1. The broken lines shown on the drawings depict portions of the outdoor light that form no part of the claimed design.

**1 Claim, 4 Drawing Sheets**



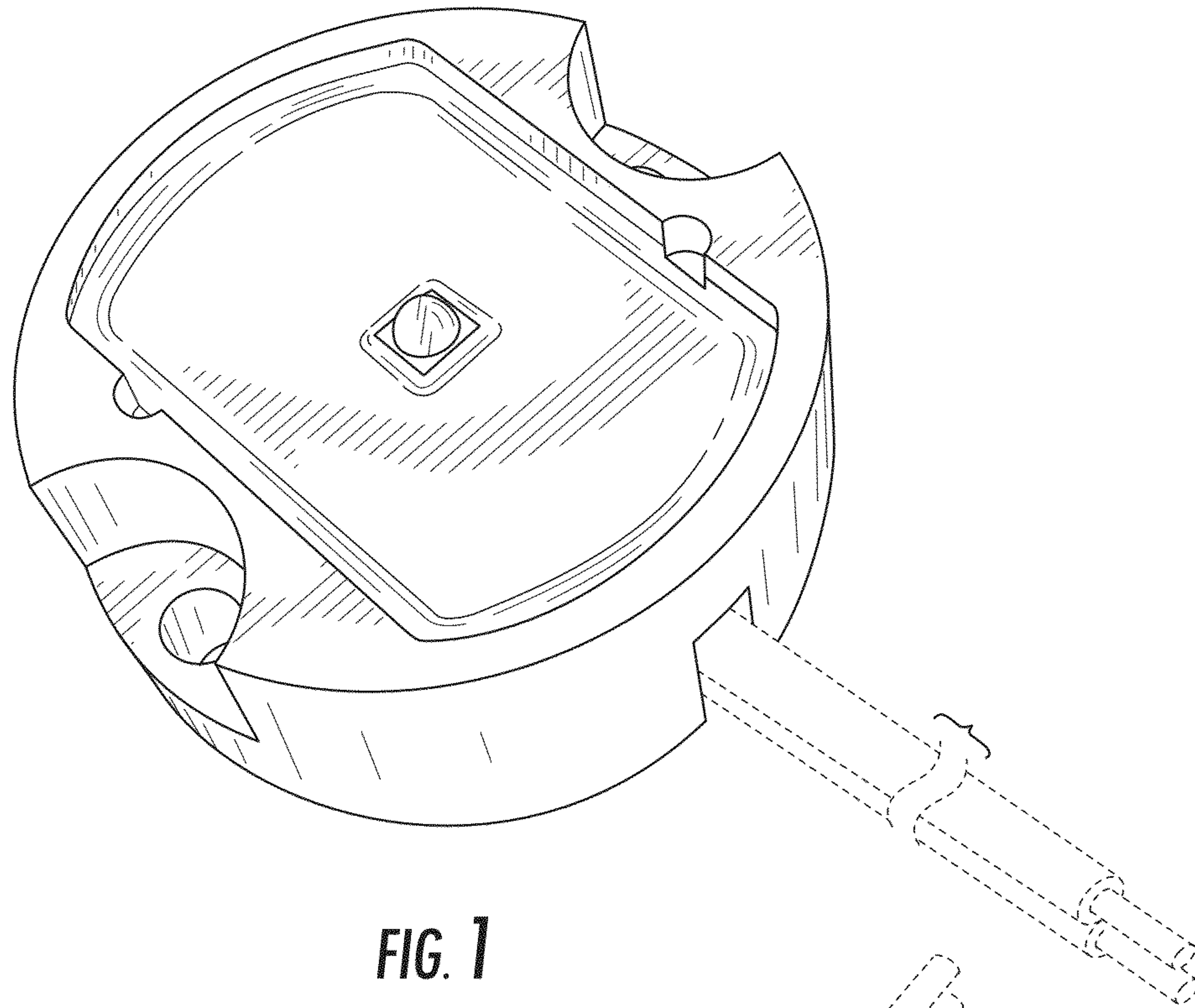


FIG. 1

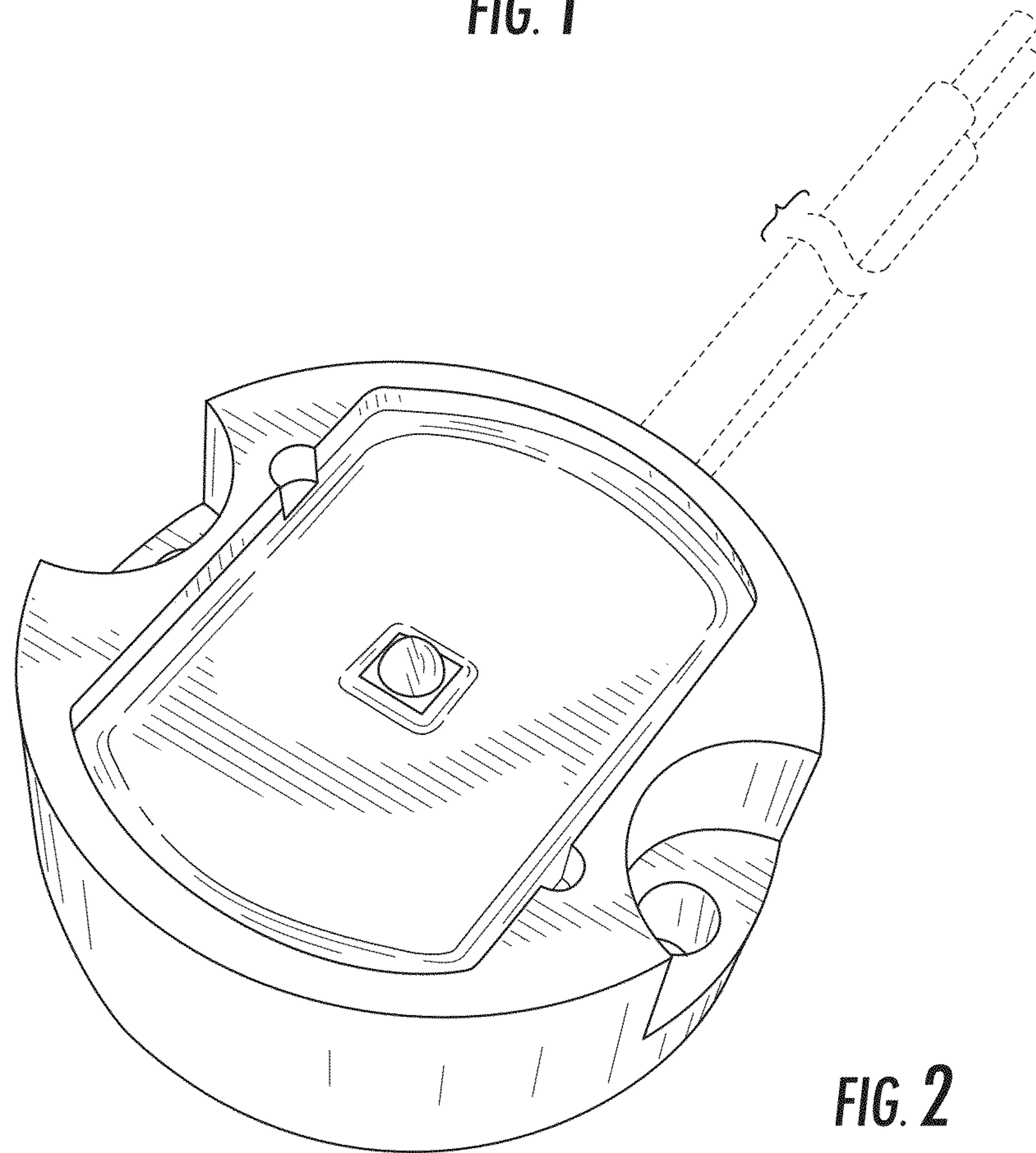


FIG. 2

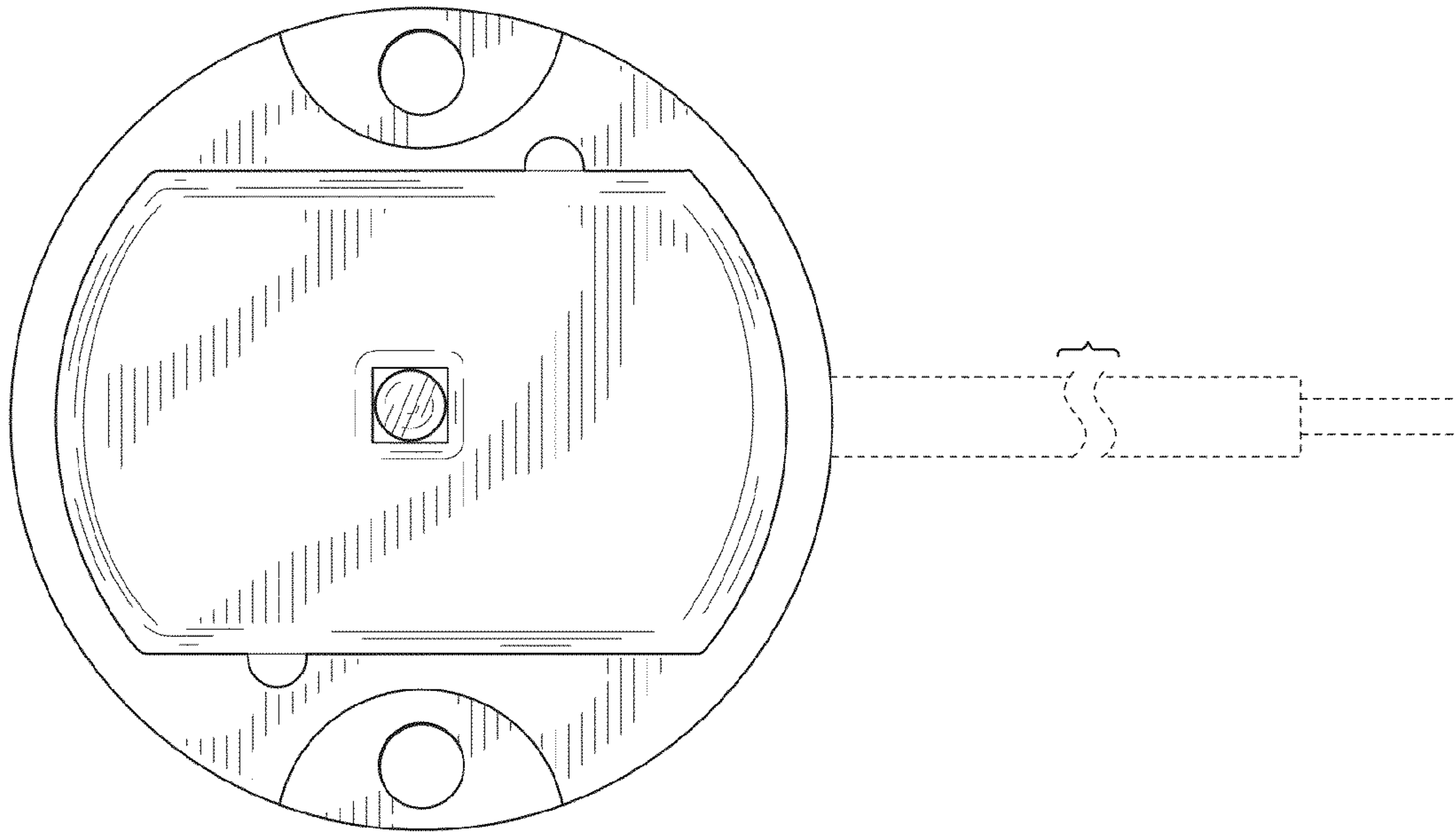


FIG. 3

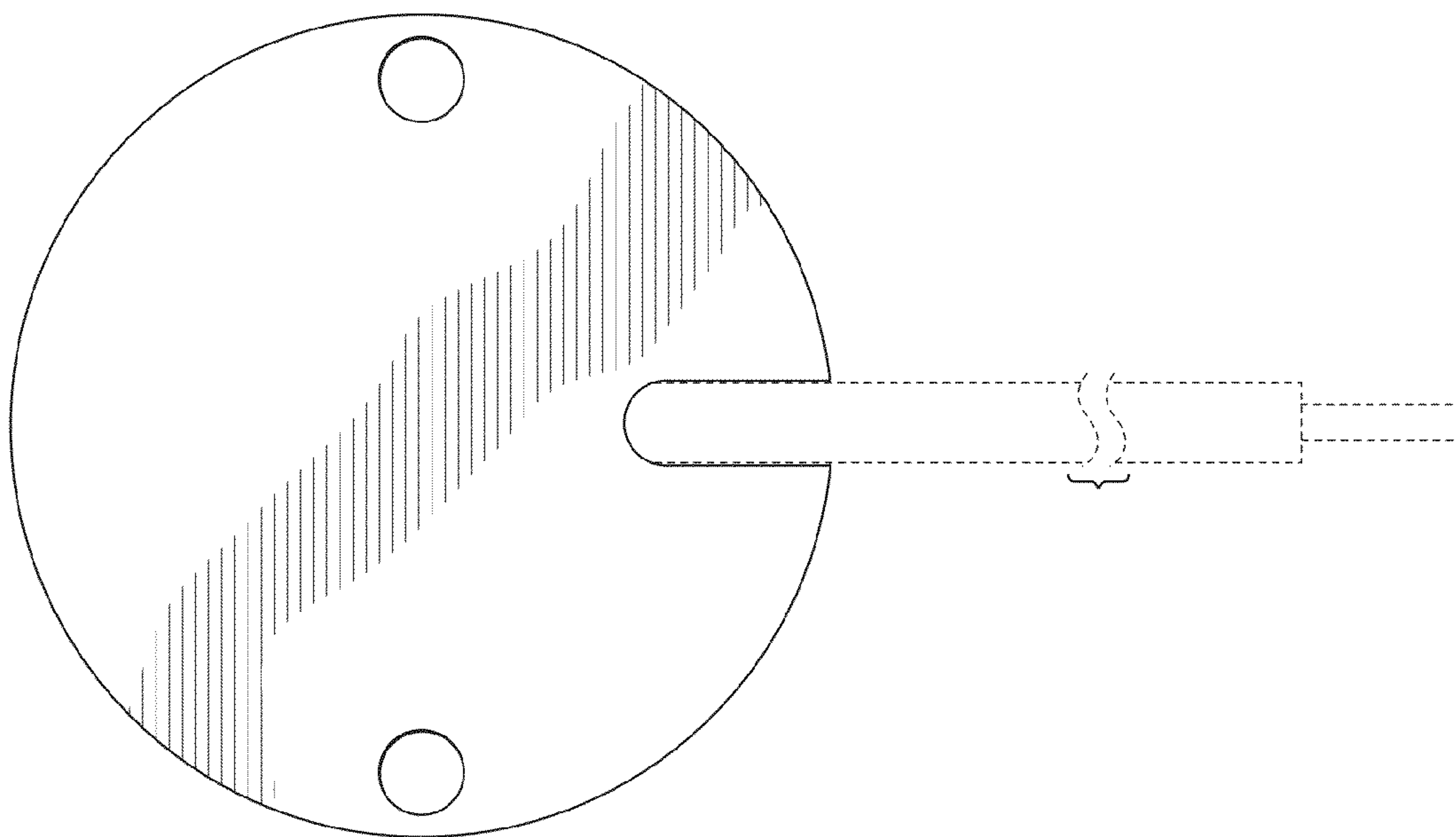


FIG. 4

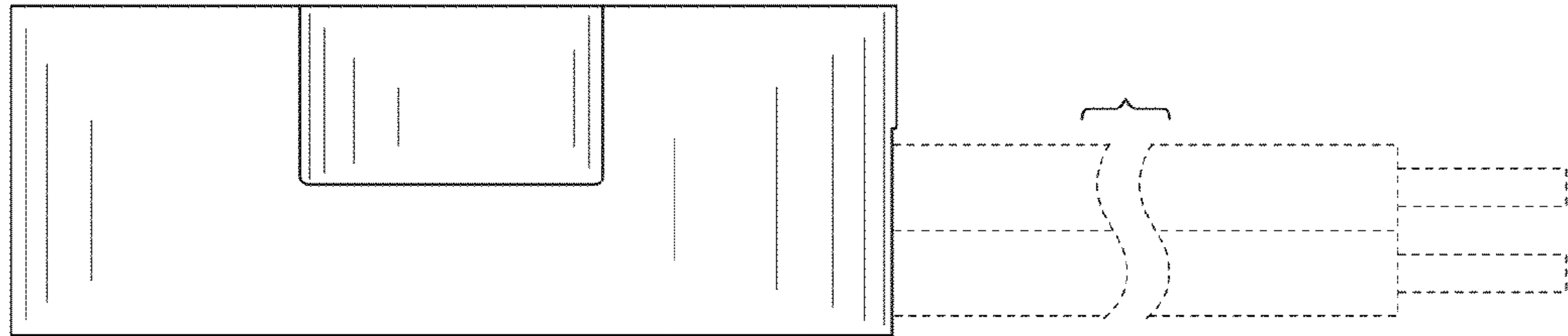


FIG. 5

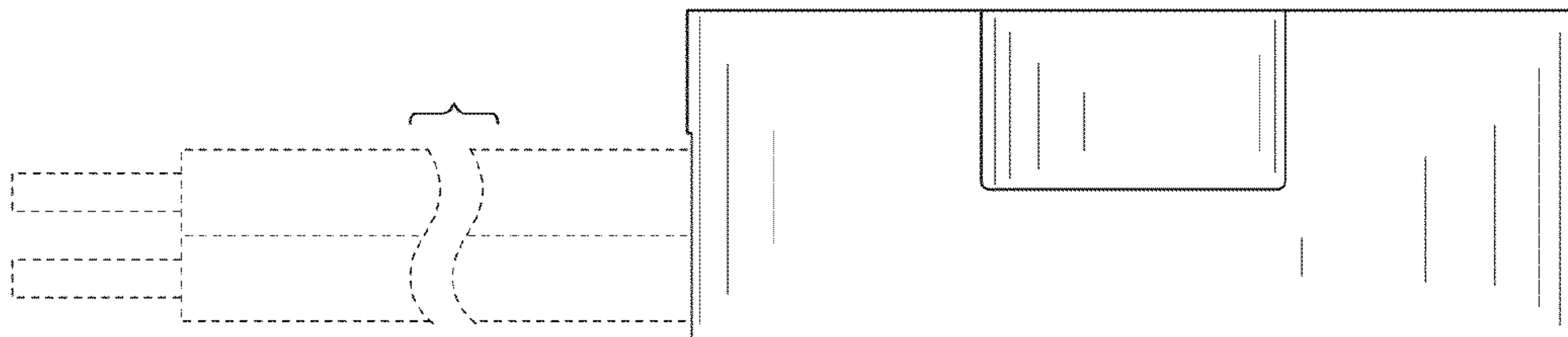
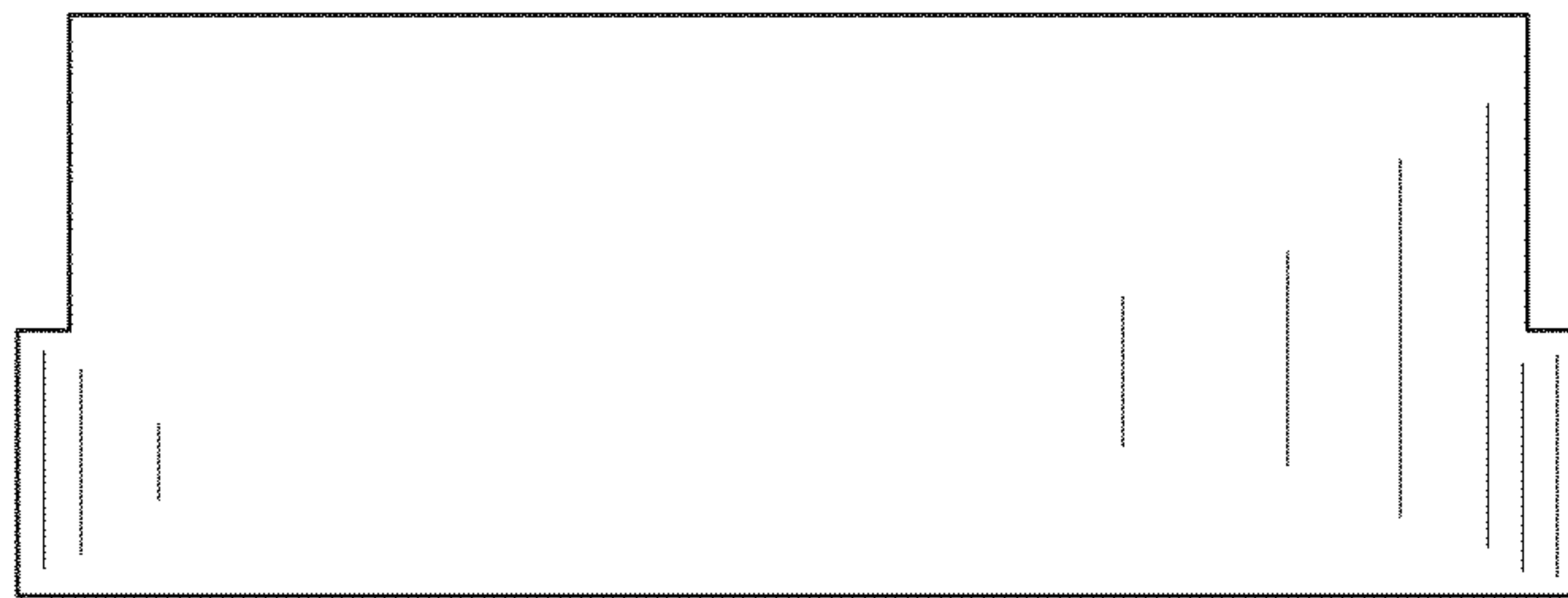
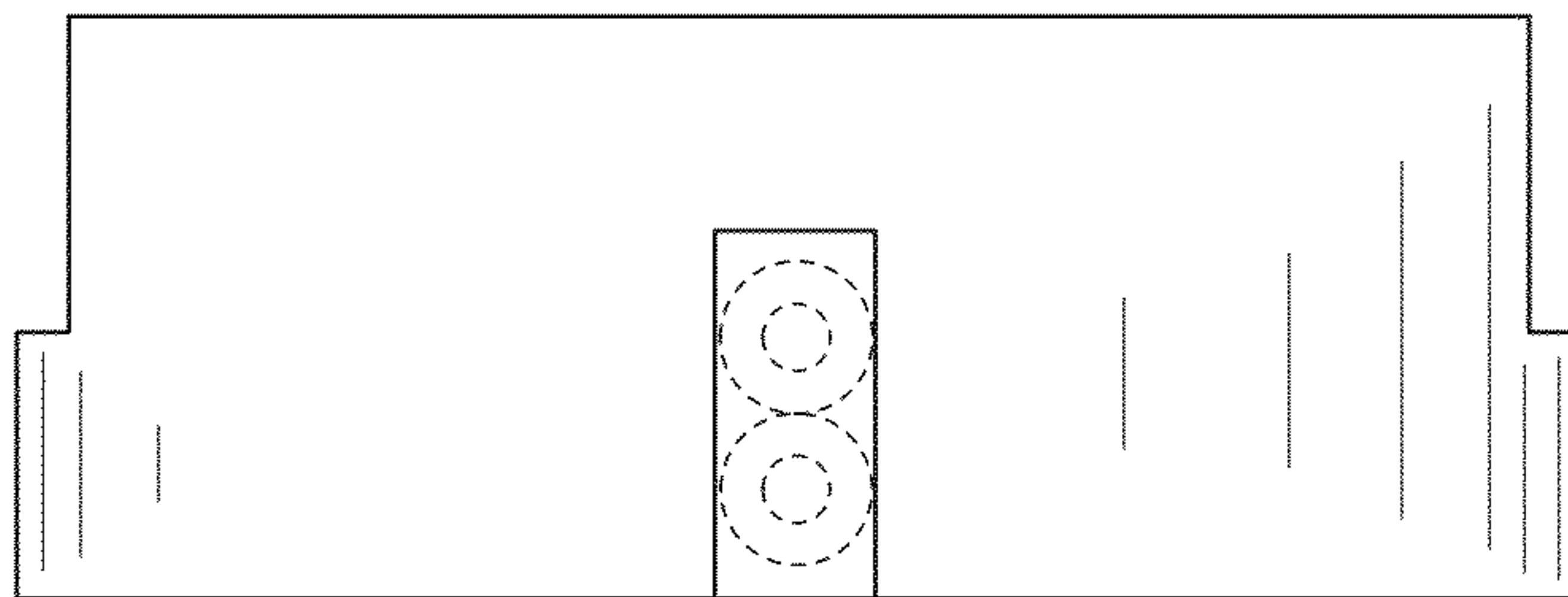


FIG. 6





**FIG. 7**



**FIG. 8**