



US00D758635S

(12) **United States Design Patent**
Fioravanti

(10) **Patent No.:** **US D758,635 S**
(45) **Date of Patent:** **** Jun. 7, 2016**

(54) **LAMP**
(71) Applicant: **FONTANAARTE S.p.A.**, Milan (IT)
(72) Inventor: **Odoardo Fioravanti**, Milan (IT)
(73) Assignee: **FONTANAARTE S.p.A.**, Milan (IT)
(**) Term: **14 Years**
(21) Appl. No.: **29/503,541**
(22) Filed: **Sep. 26, 2014**

D522,686 S *	6/2006	Lee	D26/138
D576,342 S *	9/2008	Sole	D26/92
D609,389 S *	2/2010	Sabernig	D26/87
D626,272 S *	10/2010	Verelst	D26/85
D626,679 S *	11/2010	Verelst	D26/85
D637,337 S *	5/2011	Sole'	D26/85
D642,727 S *	8/2011	van den Akker	D26/85
D646,423 S *	10/2011	Chiu	D26/85
D666,764 S *	9/2012	Gilad	D26/79
D667,159 S *	9/2012	Wauters	D26/85
D669,206 S *	10/2012	Yu	D26/85
D676,590 S *	2/2013	Fang	D26/80
D678,588 S *	3/2013	Fang	D26/80
2015/0131285 A1 *	5/2015	Lee	F21V 19/02 362/249.11

(30) **Foreign Application Priority Data**
Mar. 28, 2014 (IT) MI2014O0049
(51) **LOC (10) Cl.** **26-03**
(52) **U.S. Cl.**
USPC **D26/85; D26/87**
(58) **Field of Classification Search**
USPC D26/72, 85, 87, 89, 92, 118
CPC F21S 8/03; F21S 8/033; F21S 8/036;
F21S 8/037; F21S 8/043; F21S 8/06; F21V
21/02; F21V 33/006; F21W 2131/10; F21W
2131/107; F21W 2131/1005
See application file for complete search history.

* cited by examiner

Primary Examiner — Clare E Heflin

(74) *Attorney, Agent, or Firm* — Thomas | Horstemeyer, LLP

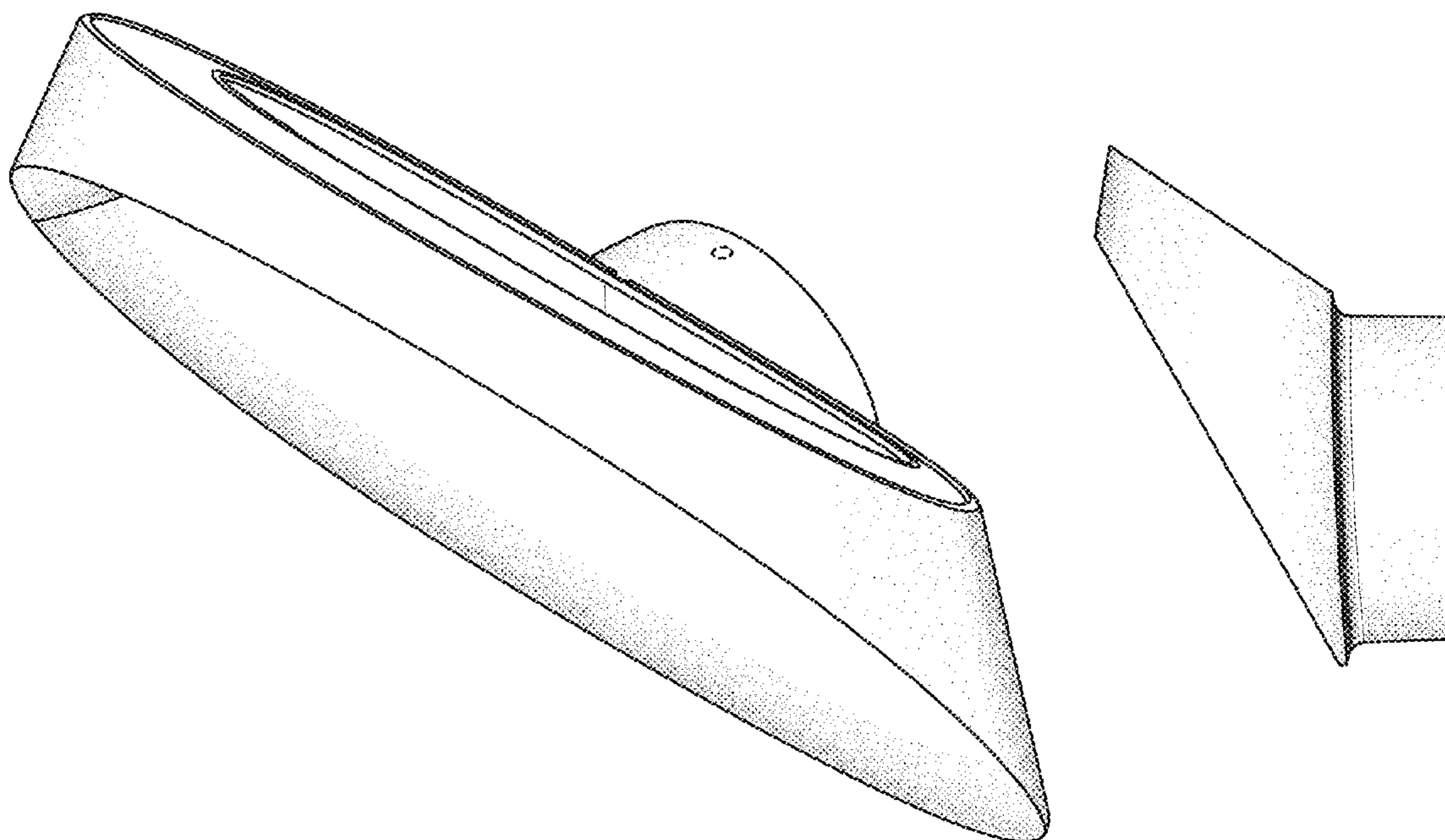
(56) **References Cited**
U.S. PATENT DOCUMENTS
D288,136 S * 2/1987 Pfister D26/87
D320,461 S * 10/1991 Pagani D26/87
D321,950 S * 11/1991 Enthoven D26/87
D487,528 S * 3/2004 Christensen D26/79

(57) **CLAIM**
The ornamental design for a lamp, as shown and described.

DESCRIPTION

FIG. 1 is a front perspective view of my new lamp;
FIG. 2 is a front view of my new lamp of FIG. 1;
FIG. 3 is a left side view of my new lamp of FIG. 1;
FIG. 4 is a right side view of my new lamp of FIG. 1, opposite that of FIG. 3;
FIG. 5 is a top view of my new lamp of FIG. 1; and,
FIG. 6 is a bottom view of my new lamp of FIG. 1
The broken lines shown on the drawings depict portions of the Lamp that form no part of the claimed design.

1 Claim, 6 Drawing Sheets



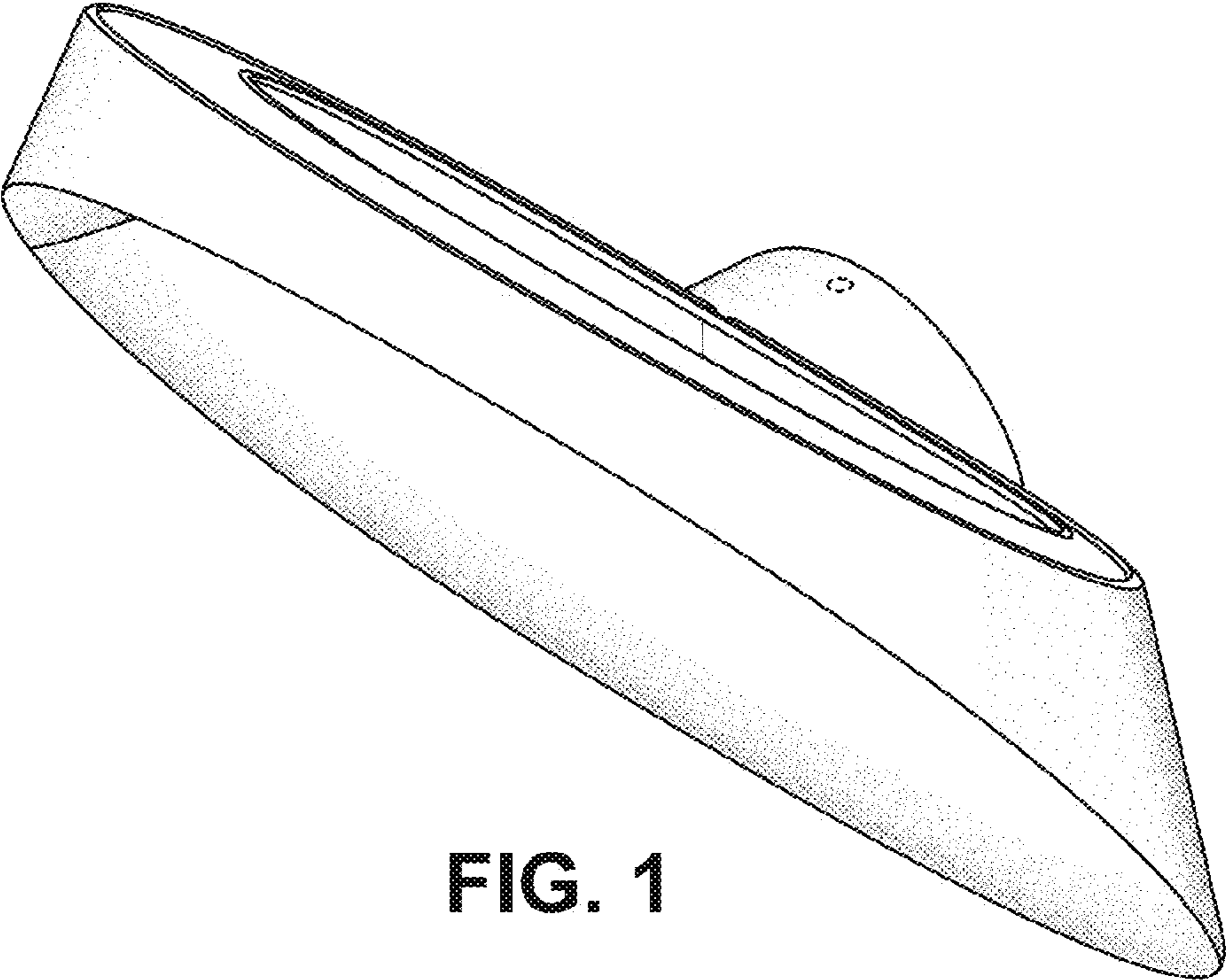


FIG. 1

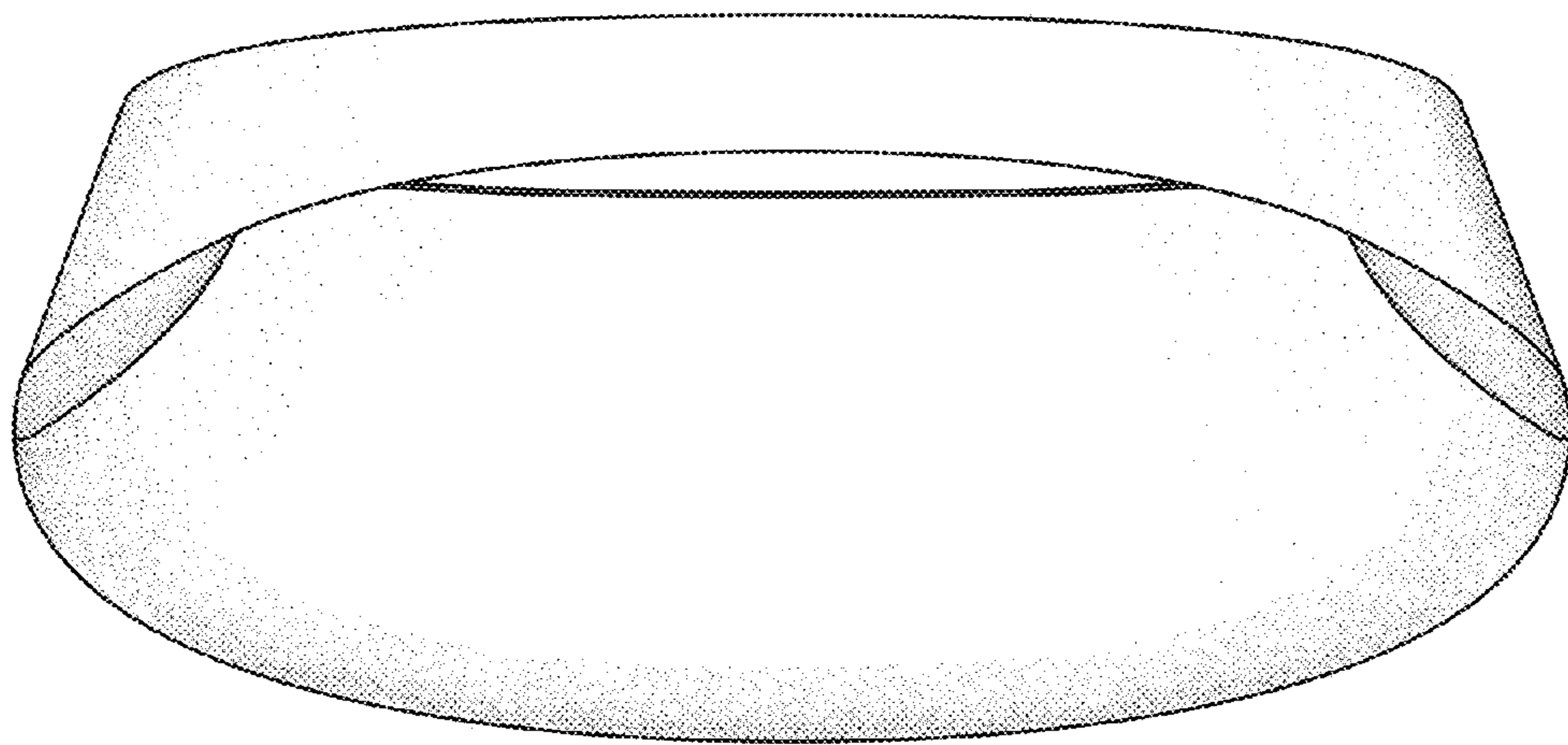


FIG. 2

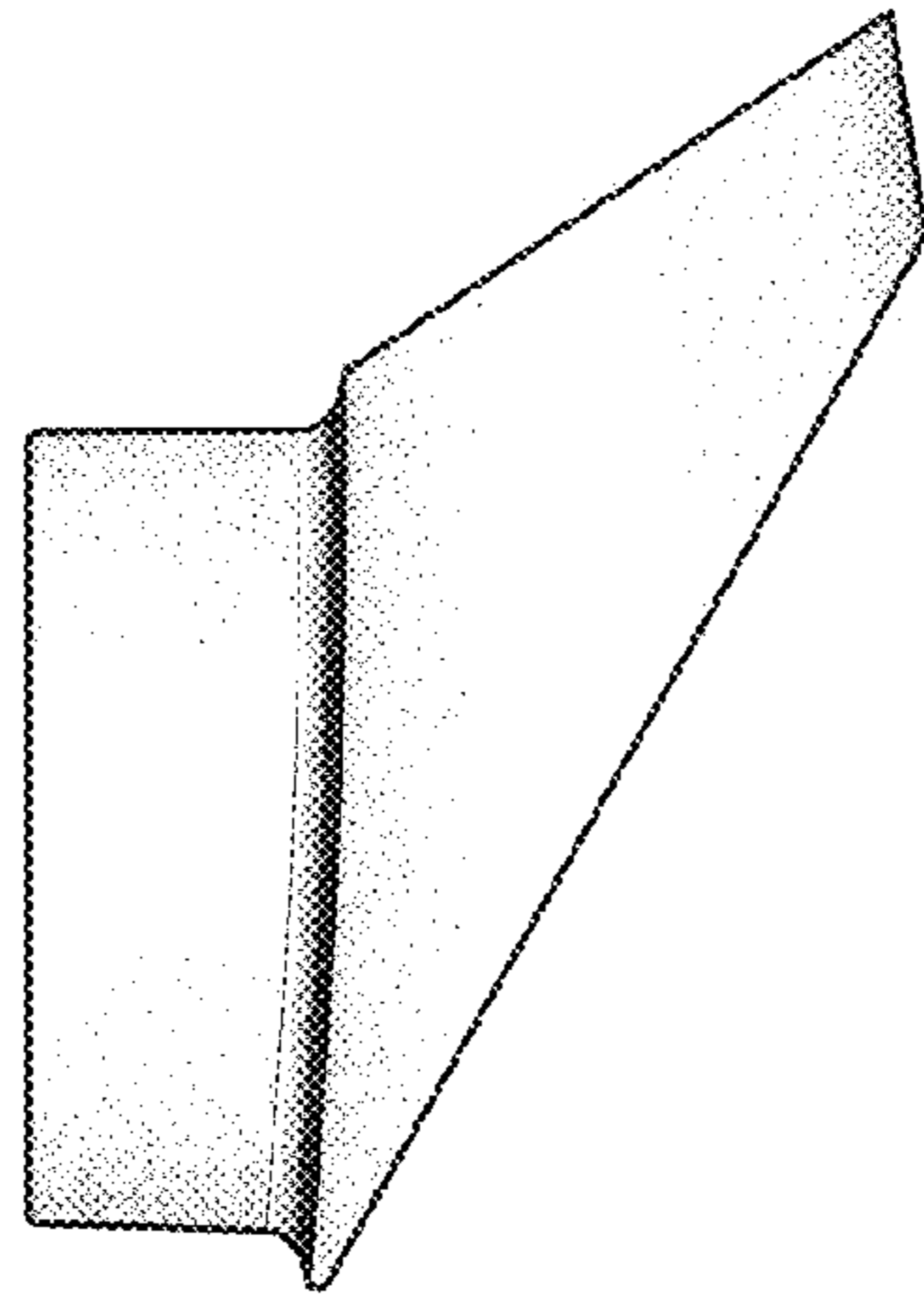


FIG. 3

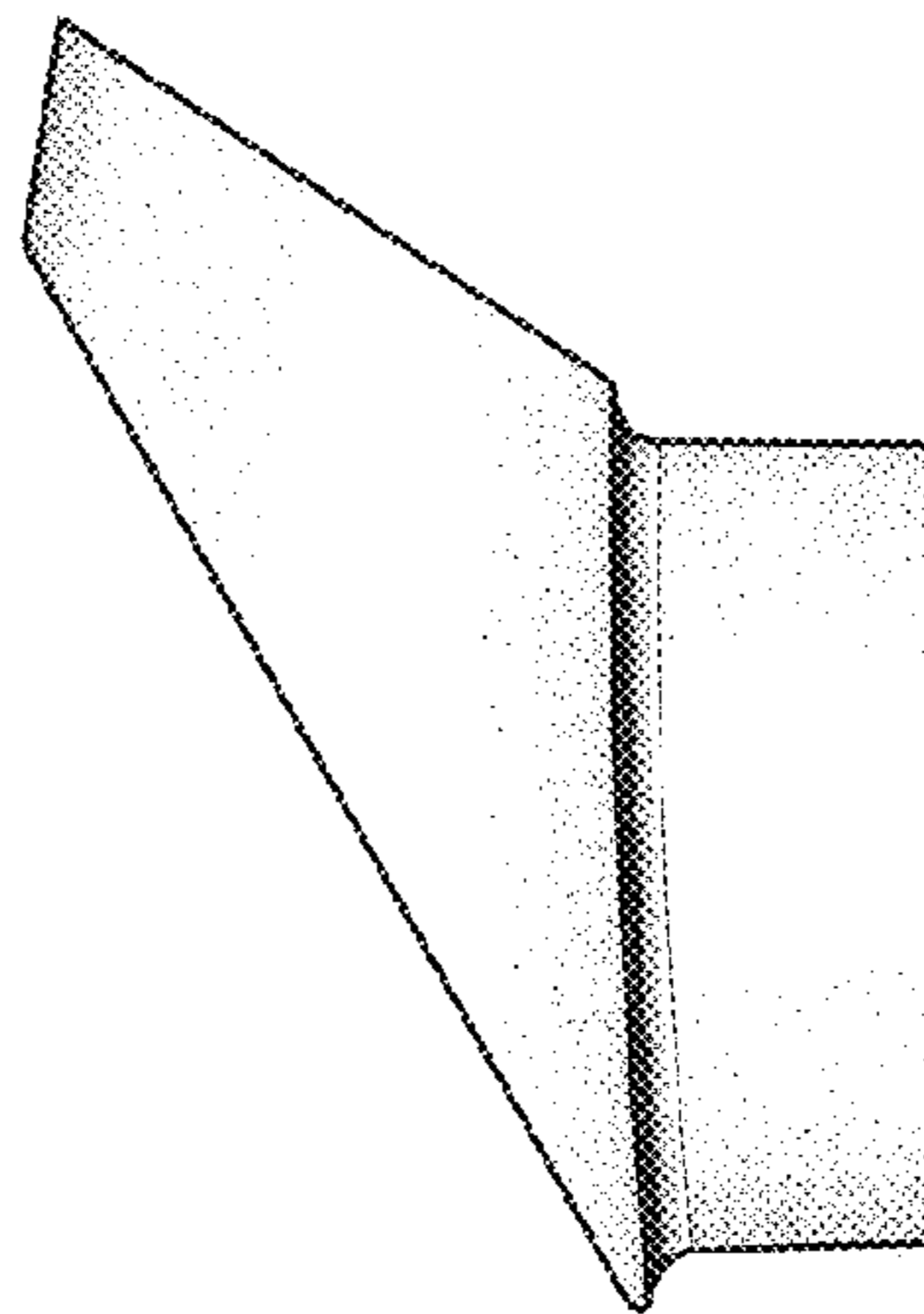


FIG. 4

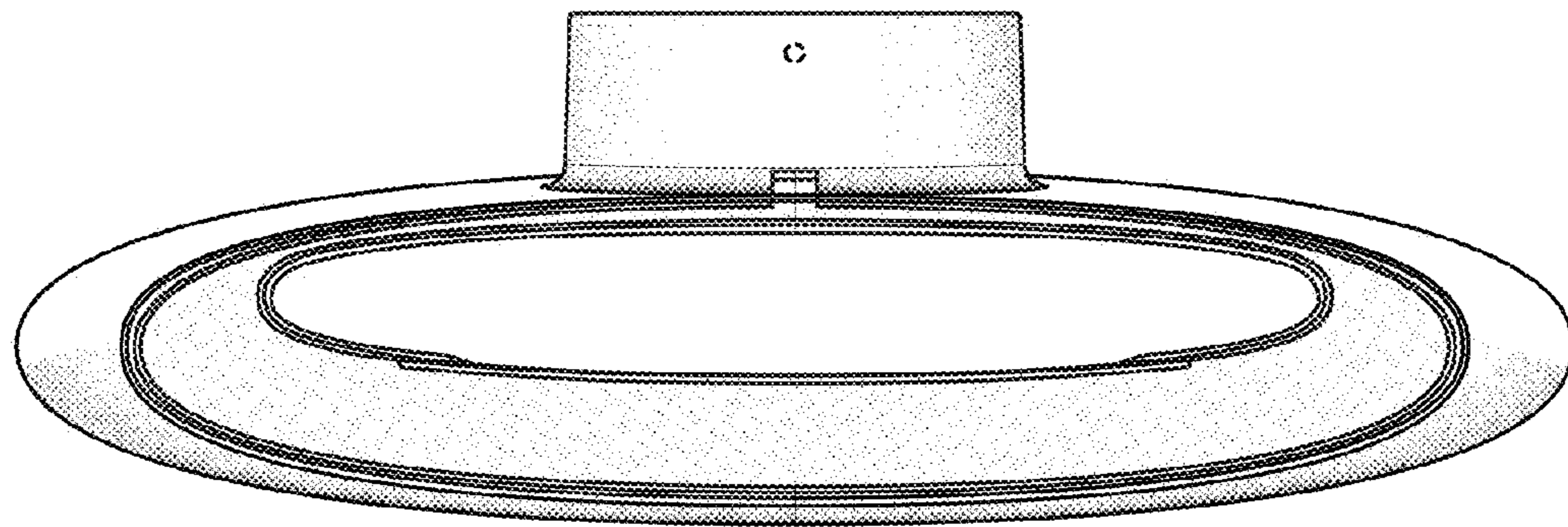


FIG. 5

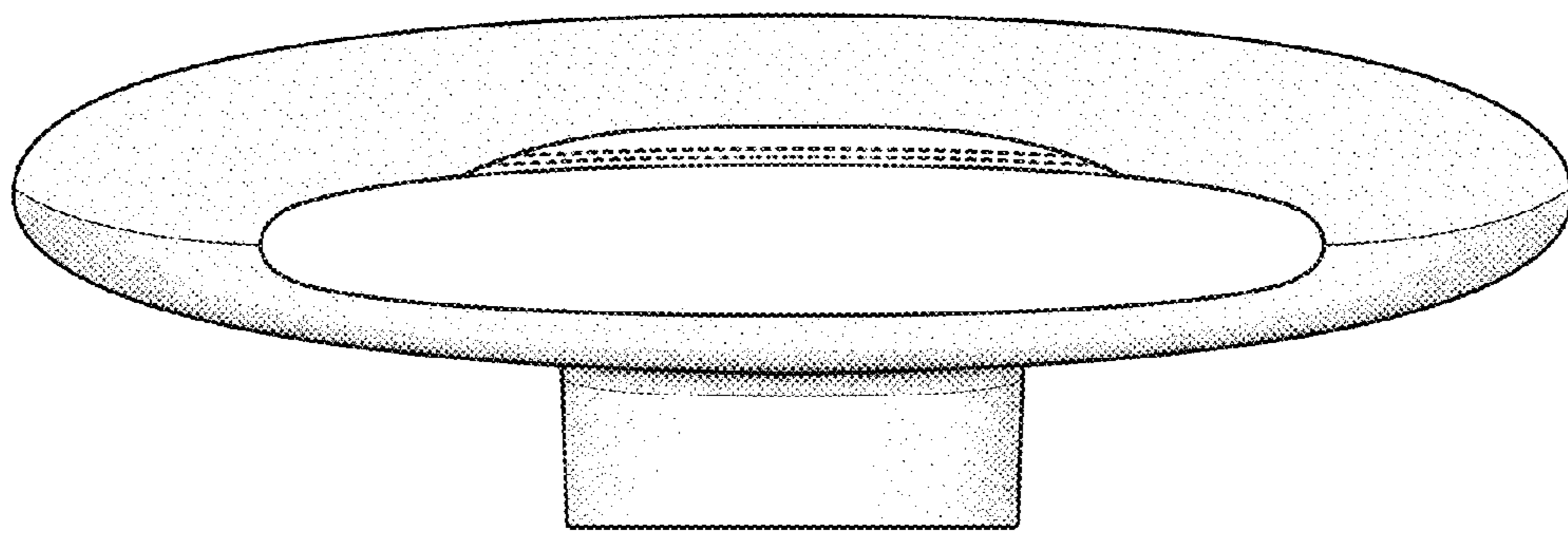


FIG. 6

UNITED STATES PATENT AND TRADEMARK OFFICE
CERTIFICATE OF CORRECTION

PATENT NO. : D758,635 S
APPLICATION NO. : 29/503541
DATED : June 7, 2016
INVENTOR(S) : Odoardo Fioravanti

Page 1 of 1

It is certified that error appears in the above-identified patent and that said Letters Patent is hereby corrected as shown below:

TITLE PAGE

Item (30) Foreign Application Priority Data: change "MI2014O0049" to -- MI2014O000049 --.

Signed and Sealed this
Sixth Day of September, 2016



Michelle K. Lee
Director of the United States Patent and Trademark Office