



US00D758634S

(12) **United States Design Patent**
Burmeister et al.

(10) **Patent No.:** **US D758,634 S**
(45) **Date of Patent:** **** Jun. 7, 2016**

(54) **LED MODULE**

FOREIGN PATENT DOCUMENTS

(71) Applicants: **Jens Burmeister**, Eberbach (DE); **Bernd Schwarz**, Eberbach (DE)

JP D1439658 5/2012
JP D1462671 2/2013

(Continued)

(72) Inventors: **Jens Burmeister**, Eberbach (DE); **Bernd Schwarz**, Eberbach (DE)

OTHER PUBLICATIONS

(73) Assignee: **COOPER CROUSE-HINDS GMBH**, Soest (DE)

Sacepe, Nicolas, International Search Report and Written Opinion issued in PCT/EP2014/001400, Jul. 18, 2014, 8 pages, European Patent Office, The Netherlands.

(Continued)

(**) Term: **14 Years**

(21) Appl. No.: **29/479,320**

Primary Examiner — George D Kirschbaum

Assistant Examiner — Natasha Vujcic

(22) Filed: **Jan. 14, 2014**

(74) *Attorney, Agent, or Firm* — King & Spalding LLP

(30) **Foreign Application Priority Data**

Jul. 15, 2013 (EM) 002274514

(51) **LOC (10) Cl.** **26-03**

(52) **U.S. Cl.**
USPC **D26/77**

(58) **Field of Classification Search**
USPC D26/24, 39, 59, 67, 68, 69, 70, 71, 72,
D26/74, 77, 80, 88, 89, 138, 139, 140, 141,
D26/142, 151, 152; 362/126, 294, 355
See application file for complete search history.

(57) **CLAIM**

The ornamental design for an LED module, as shown and described.

DESCRIPTION

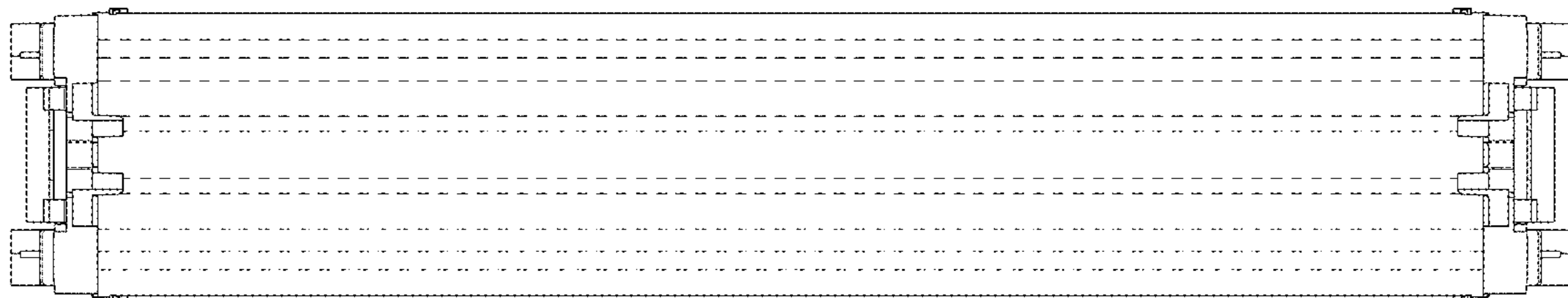
FIG. 1 is a top view of a first embodiment of an LED module, showing our new design;
FIG. 2 is a bottom view thereof;
FIG. 3 is a left side view thereof;
FIG. 4 is a right side view thereof;
FIG. 5 is a front view thereof;
FIG. 6 is a rear view thereof; and
FIG. 7 is a perspective view thereof.
FIG. 8 is a top view of a second embodiment of an LED module, showing our new design;
FIG. 9 is a bottom view thereof;
FIG. 10 is a left side view thereof;
FIG. 11 is a right side view thereof;
FIG. 12 is a front view thereof;
FIG. 13 is a rear view thereof; and,
FIG. 14 is a perspective view thereof.
The broken lines in the drawings illustrate portions of the LED module and form no part of the claimed design.

(56) **References Cited**

U.S. PATENT DOCUMENTS

D168,943 S * 3/1953 Levaur D26/78
2,795,692 A * 6/1957 Lemmers H05B 41/2325
362/221
D306,773 S * 3/1990 Roulstone D26/78
D487,598 S * 3/2004 Schuetz D26/76
D547,481 S * 7/2007 Tseng D26/78
D675,365 S * 1/2013 Beghelli D26/78
D703,858 S * 4/2014 Miller D26/76
D733,952 S * 7/2015 Lay D26/75
2010/0289428 A1 11/2010 Frazier et al.
2014/0204570 A1* 7/2014 Burmeister F21S 4/008
362/218

1 Claim, 7 Drawing Sheets



(56)

References Cited

OTHER PUBLICATIONS

FOREIGN PATENT DOCUMENTS

TW	D119958	11/2007
TW	D133231	2/2010
WO	2012114097	8/2012

Taiwan Intellectual Property Office, Office Action issued in Taiwanese Application No. 103300244, Jun. 25, 2014, 7 pages with translation.

* cited by examiner

Figure 1

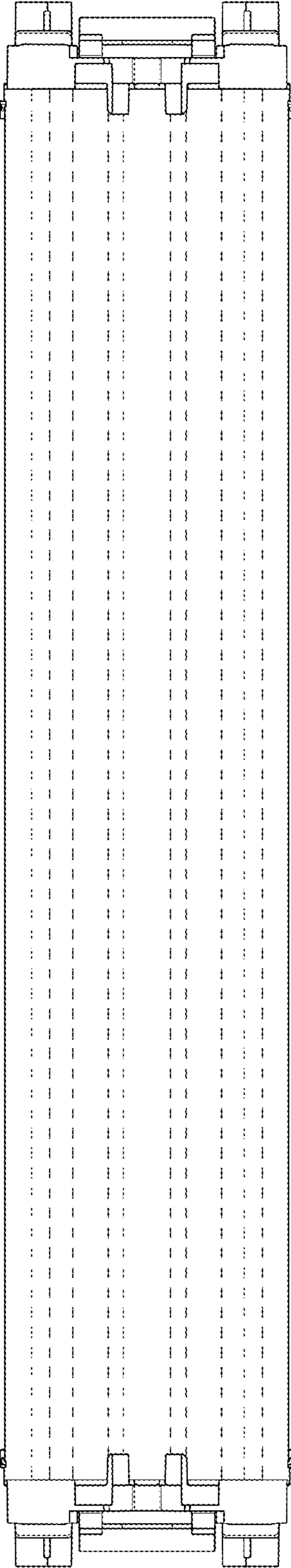


Figure 2

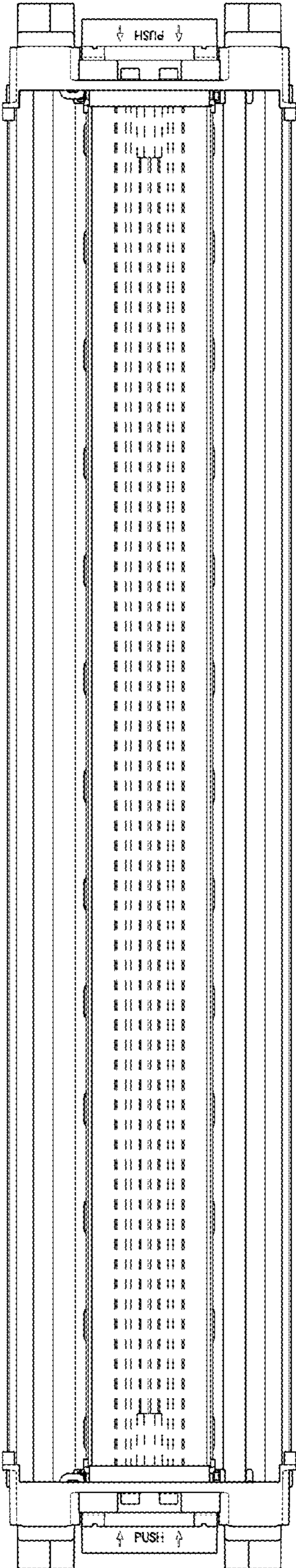


Figure 3

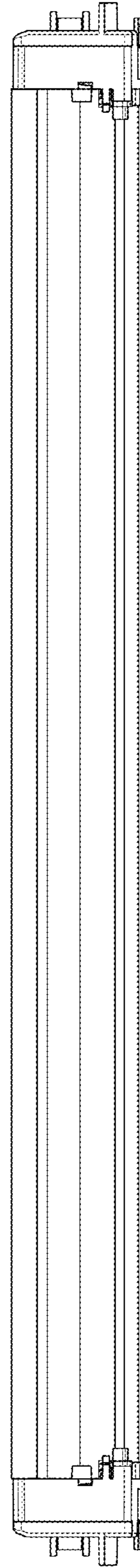


Figure 4

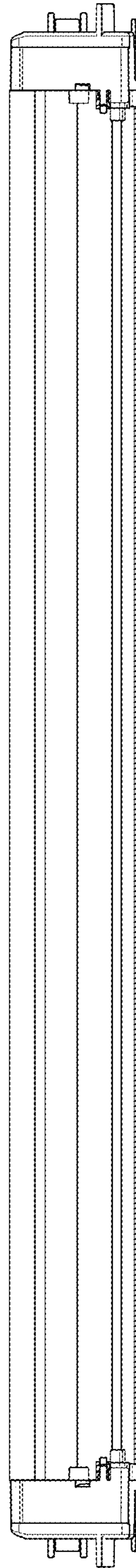


Figure 5

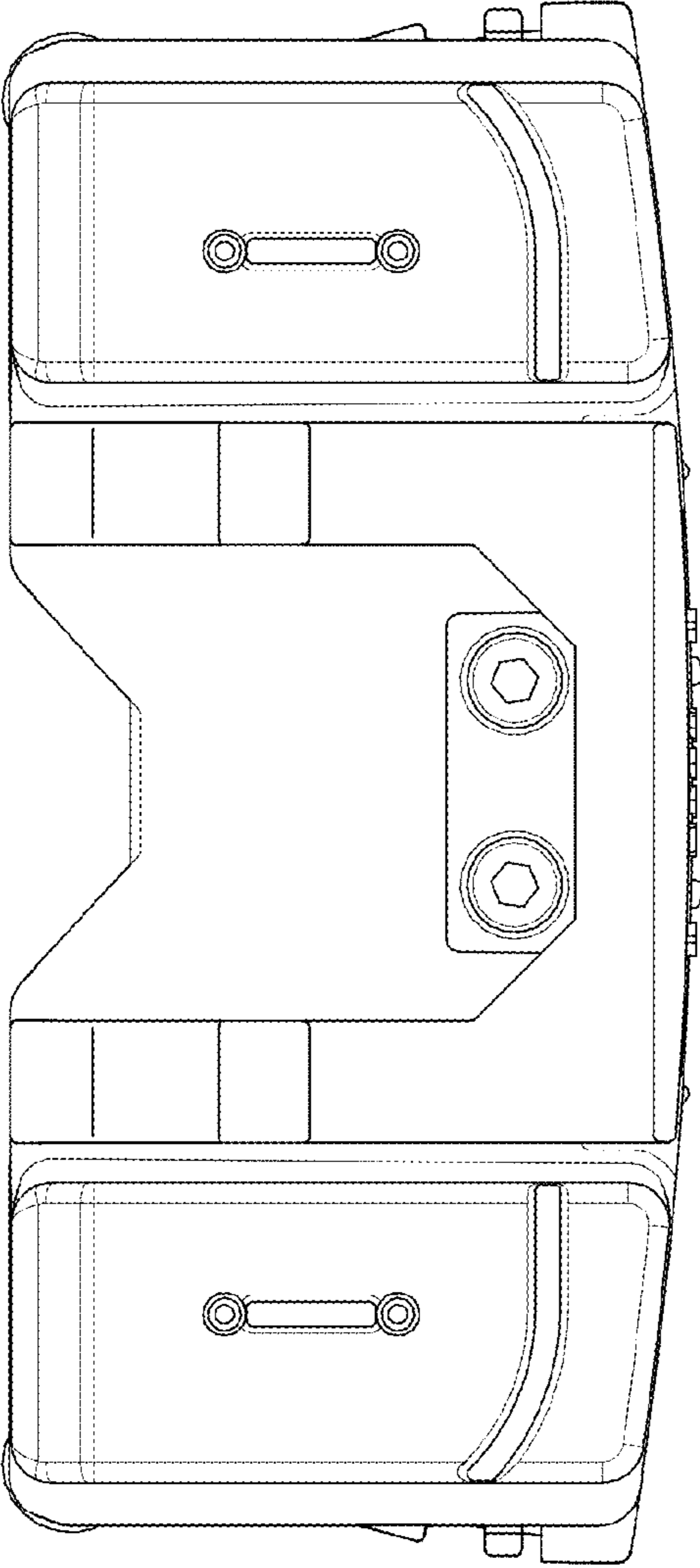


Figure 6

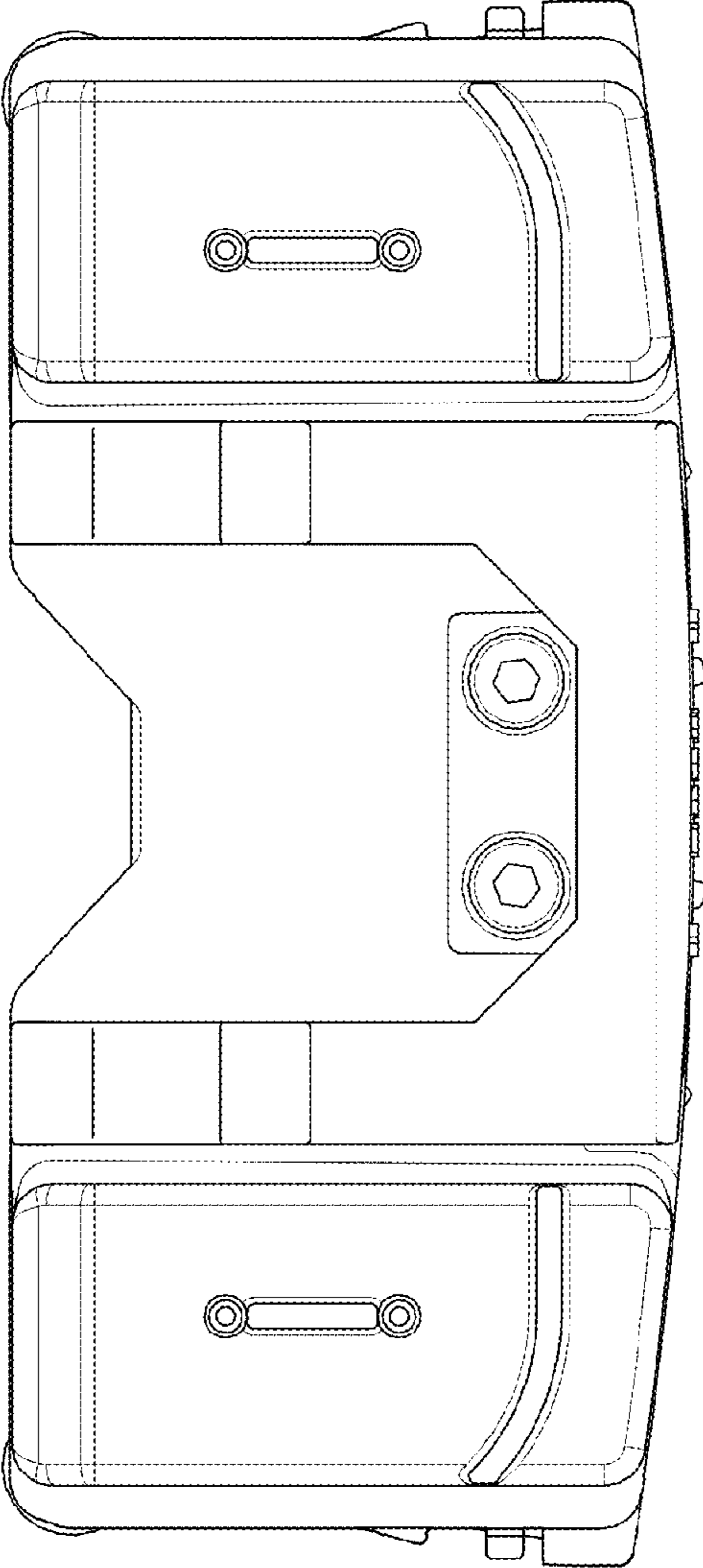


Figure 7

