



US00D758633S

(12) **United States Design Patent**
Sooferian

(10) **Patent No.:** **US D758,633 S**
(45) **Date of Patent:** **** Jun. 7, 2016**

(54) **SOLAR LIGHT**

(71) Applicant: **Danny H Sooferian**, Camarillo, CA
(US)

(72) Inventor: **Danny H Sooferian**, Camarillo, CA
(US)

(**) Term: **15 Years**

(21) Appl. No.: **29/529,248**

(22) Filed: **Jun. 4, 2015**

(51) **LOC (10) Cl.** **26-05**

(52) **U.S. Cl.**
USPC **D26/68**

(58) **Field of Classification Search**
USPC D26/63, 67-70
CPC F21S 6/004; F21S 6/005; F21S 8/08;
F21S 8/081; F21S 8/083; F21S 8/088; F21S
9/03; F21S 9/032; F21S 9/035; F21S 9/037;
F21W 2131/109; F21W 2111/023; F21V
21/0824
See application file for complete search history.

(56) **References Cited**

U.S. PATENT DOCUMENTS

| | | | | |
|--------------|---------|---------|-------|--------|
| D100,811 S * | 8/1936 | Bick | | D26/67 |
| D238,961 S * | 2/1976 | Friberg | | D26/67 |
| D464,456 S * | 10/2002 | Chang | | D26/67 |
| D500,158 S * | 12/2004 | Chen | | D26/67 |
| D563,586 S * | 3/2008 | Lee | | D26/67 |
| D604,442 S * | 11/2009 | Chen | | D26/67 |

| | | | | |
|-------------------|---------|-----------|-------|--------------------------|
| D605,804 S * | 12/2009 | Chen | | D26/67 |
| D606,226 S * | 12/2009 | Chen | | D26/67 |
| D606,695 S * | 12/2009 | Chen | | D26/67 |
| D616,132 S * | 5/2010 | Chen | | D26/67 |
| D629,952 S * | 12/2010 | Sooferian | | D26/68 |
| D630,363 S * | 1/2011 | Sooferian | | D26/68 |
| D670,017 S * | 10/2012 | Tortel | | D26/135 |
| 8,901,827 B1 * | 12/2014 | Xu | | F21S 9/037 315/153 |
| 2003/0201874 A1 * | 10/2003 | Wu | | A01M 29/16 340/384.2 |
| 2005/0135101 A1 * | 6/2005 | Richmond | | F21S 9/037 362/276 |
| 2012/0069581 A1 * | 3/2012 | Chen | | F21S 9/037 362/311.14 |
| 2012/0243213 A1 * | 9/2012 | Chen | | H05B 33/0809 362/183 |
| 2015/0176812 A1 * | 6/2015 | Xinzhou | | F21S 10/00 362/183 |

* cited by examiner

Primary Examiner — Clare E Heflin

(74) *Attorney, Agent, or Firm* — Colin P. Abrahams

(57) **CLAIM**

The ornamental design for a solar light, as shown and described.

DESCRIPTION

FIG. 1 is a front elevation view of the solar light showing my new design, the rear and side views being identical; FIG. 2 is a top plan view thereof; FIG. 3 is a front perspective view thereof; and, FIG. 4 is a bottom plan view thereof.

1 Claim, 1 Drawing Sheet

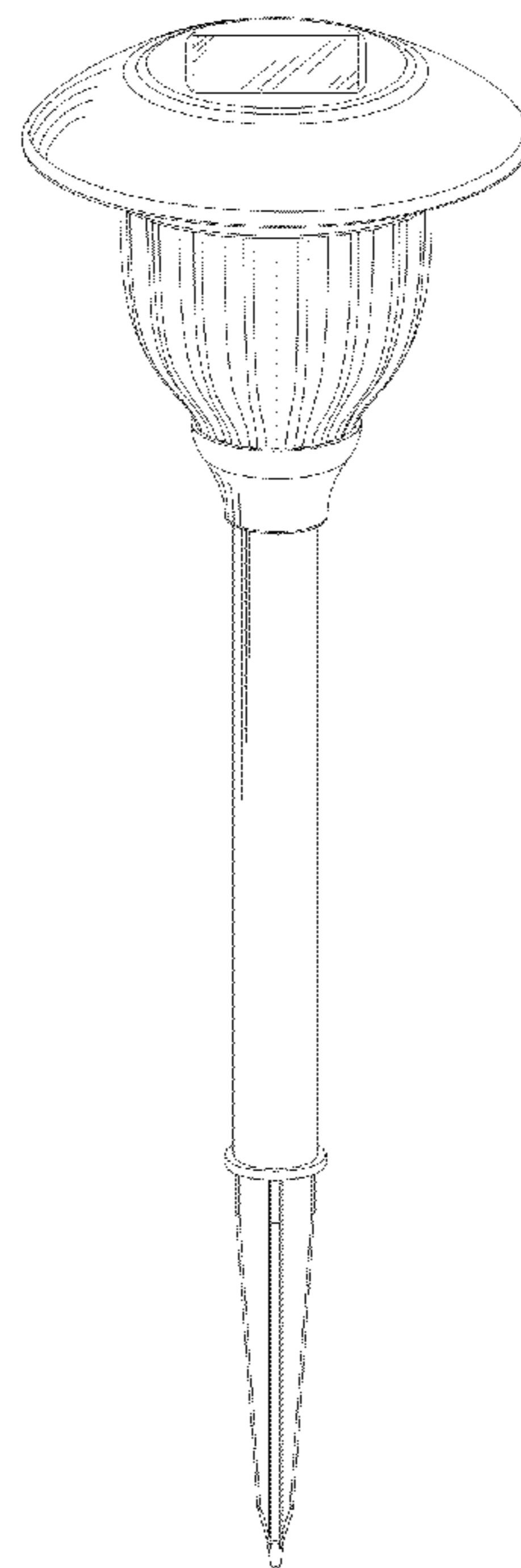
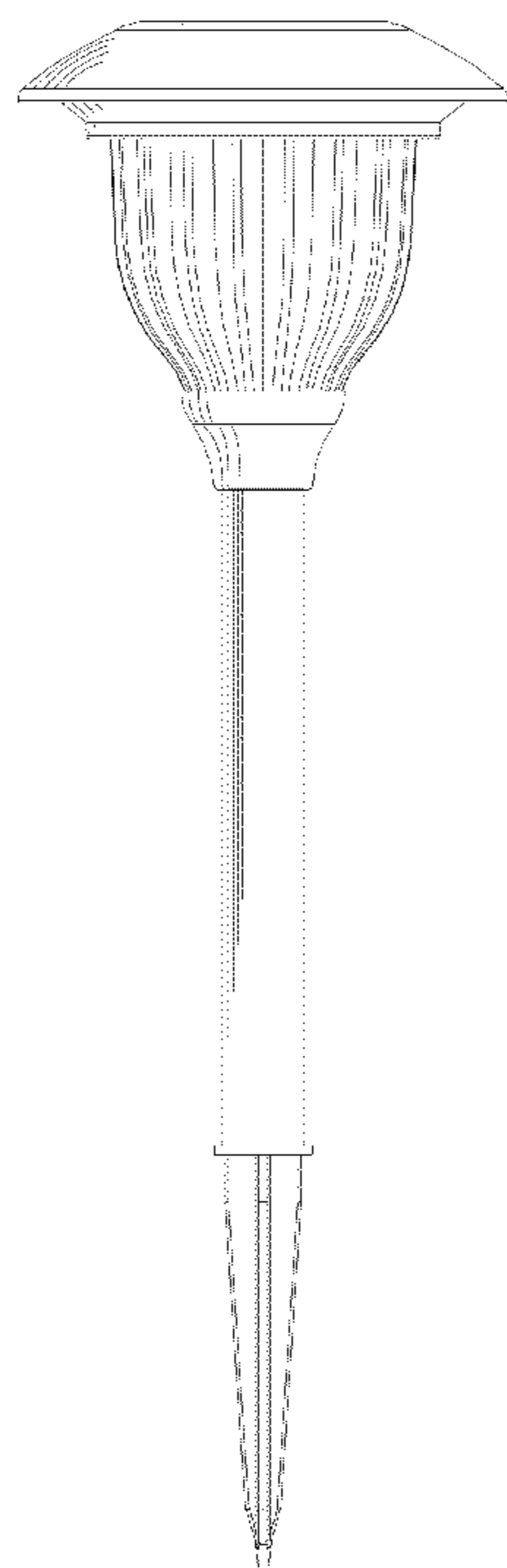


FIGURE 1

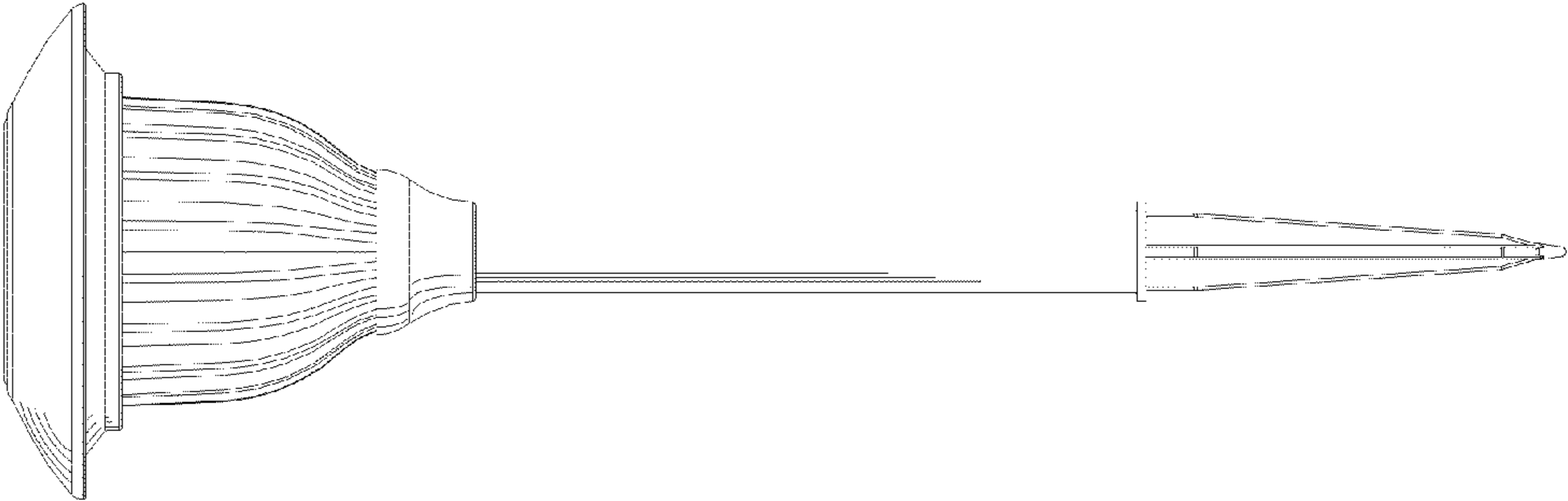


FIGURE 2

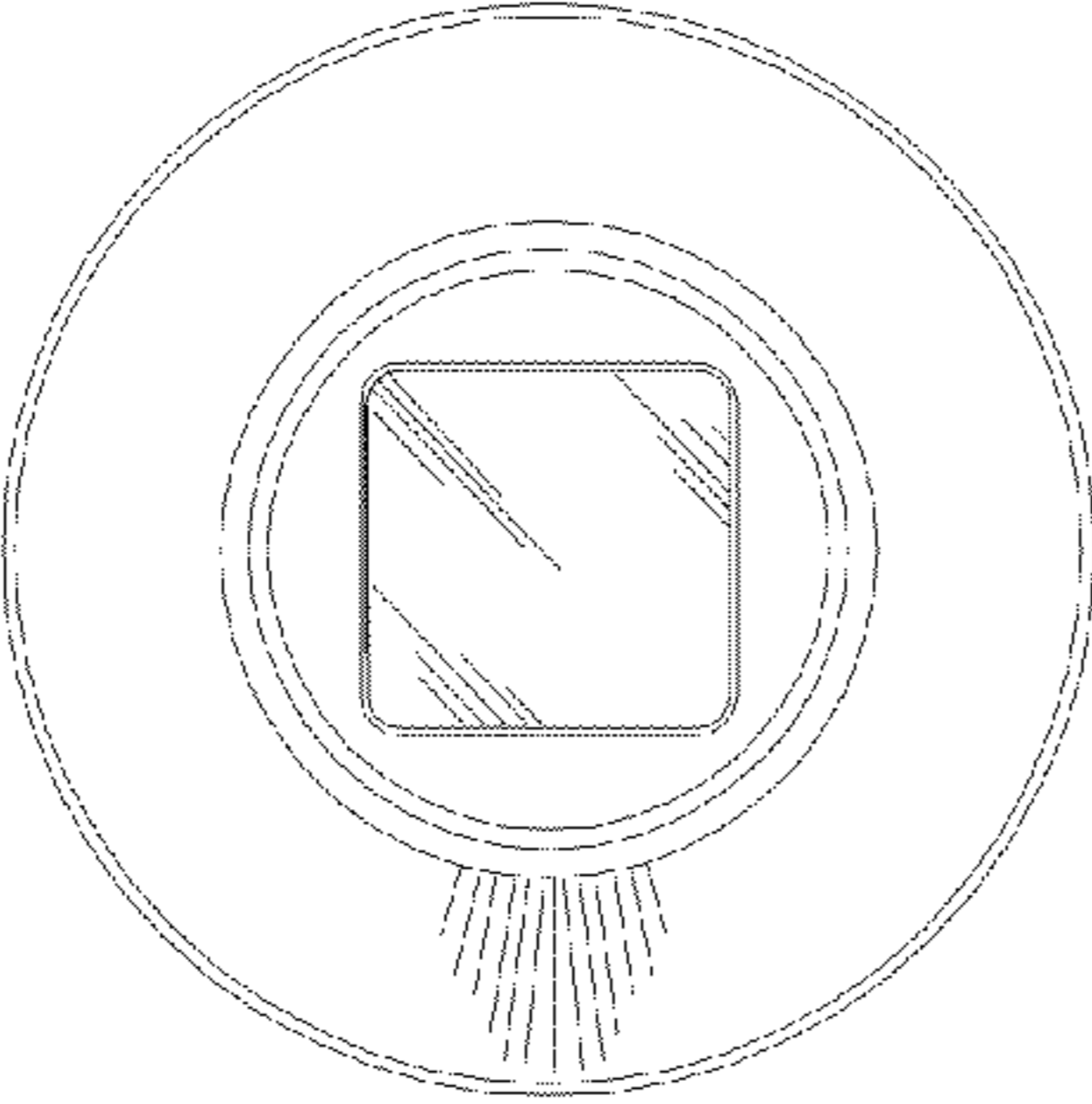


FIGURE 4

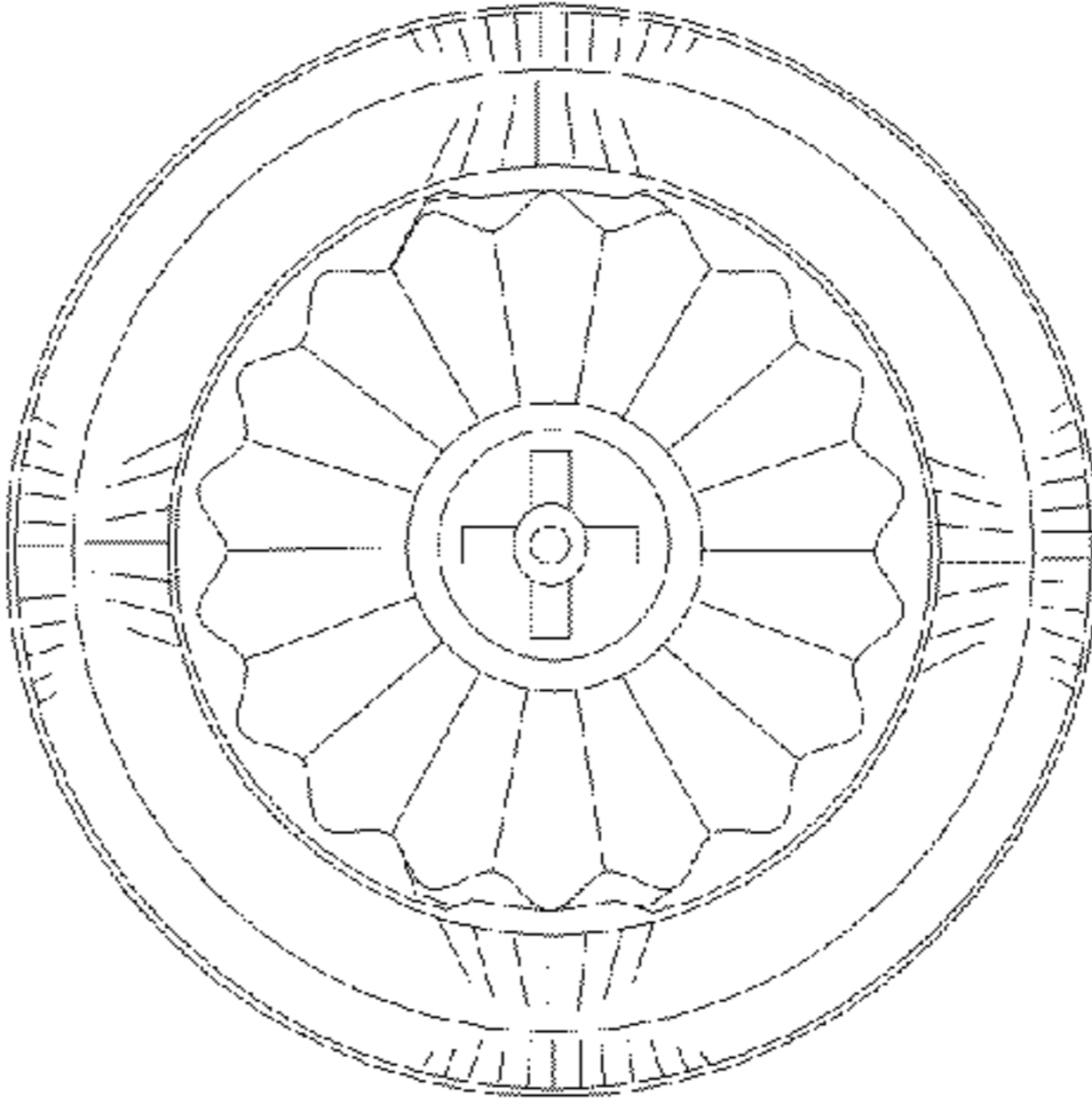


FIGURE 3

