



US00D758630S

(12) **United States Design Patent**
Li

(10) **Patent No.:** **US D758,630 S**
(45) **Date of Patent:** **** Jun. 7, 2016**

(54) **HEADLAMP**

(71) Applicant: **Ranger Li**, Anhui Province (CN)

(72) Inventor: **Ranger Li**, Anhui Province (CN)

(**) Term: **14 Years**

(21) Appl. No.: **29/517,173**

(22) Filed: **Feb. 11, 2015**

(30) **Foreign Application Priority Data**

Sep. 30, 2014 (CN) 2014 3 0369569

(51) **LOC (10) Cl.** **26-02**

(52) **U.S. Cl.**
USPC **D26/39**

(58) **Field of Classification Search**
USPC D26/37-50; 362/157-158, 171-208
CPC F21V 33/00; F21V 14/025; F21V 21/406;
F21Y 2101/02; F21L 21/00; F21L 13/08
See application file for complete search history.

(56) **References Cited**

U.S. PATENT DOCUMENTS

D482,473 S * 11/2003 Shiu D26/39
D575,888 S * 8/2008 Shiu D26/39

D577,842 S * 9/2008 Kumthampinij D26/39
D583,971 S * 12/2008 Castellucci D26/39
D614,786 S * 4/2010 Lee D26/39
D625,863 S * 10/2010 Kingston D26/39
D651,732 S * 1/2012 Hopkins D26/39
D672,893 S * 12/2012 Inskeep D26/39
D674,944 S * 1/2013 Bertken D26/39
D690,856 S * 10/2013 Shiu D26/39
D699,380 S * 2/2014 Weaver D26/39

* cited by examiner

Primary Examiner — Marcus Jackson

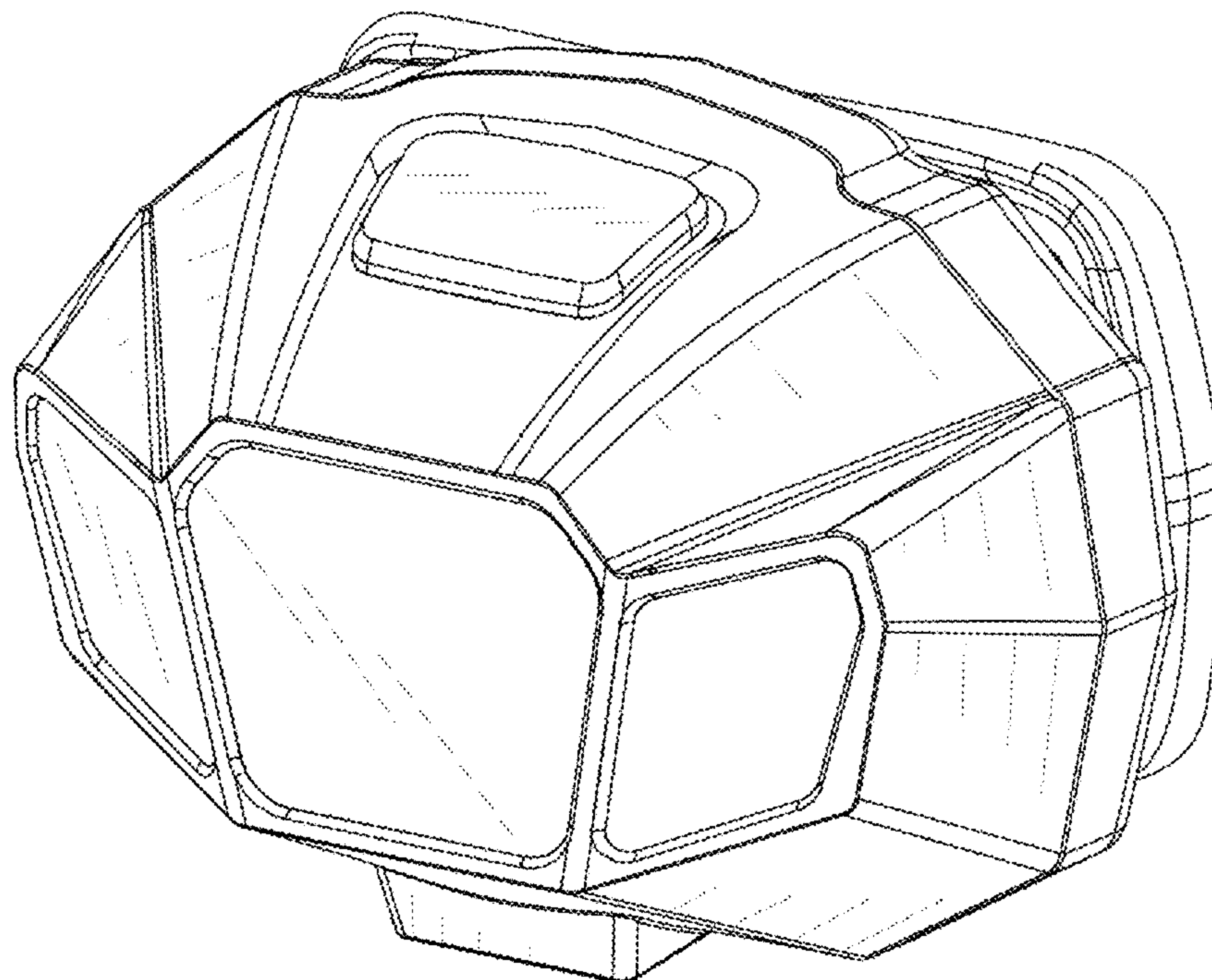
(57) **CLAIM**

The ornamental design for a headlamp, as shown.

DESCRIPTION

FIG. 1 is a front elevational view of a headlamp showing my new design;
FIG. 2 is a rear elevational view thereof;
FIG. 3 is a left side view thereof;
FIG. 4 is a right side view thereof;
FIG. 5 is a top plan view thereof;
FIG. 6 is a bottom plan view thereof; and,
FIG. 7 is a perspective view thereof.

1 Claim, 4 Drawing Sheets



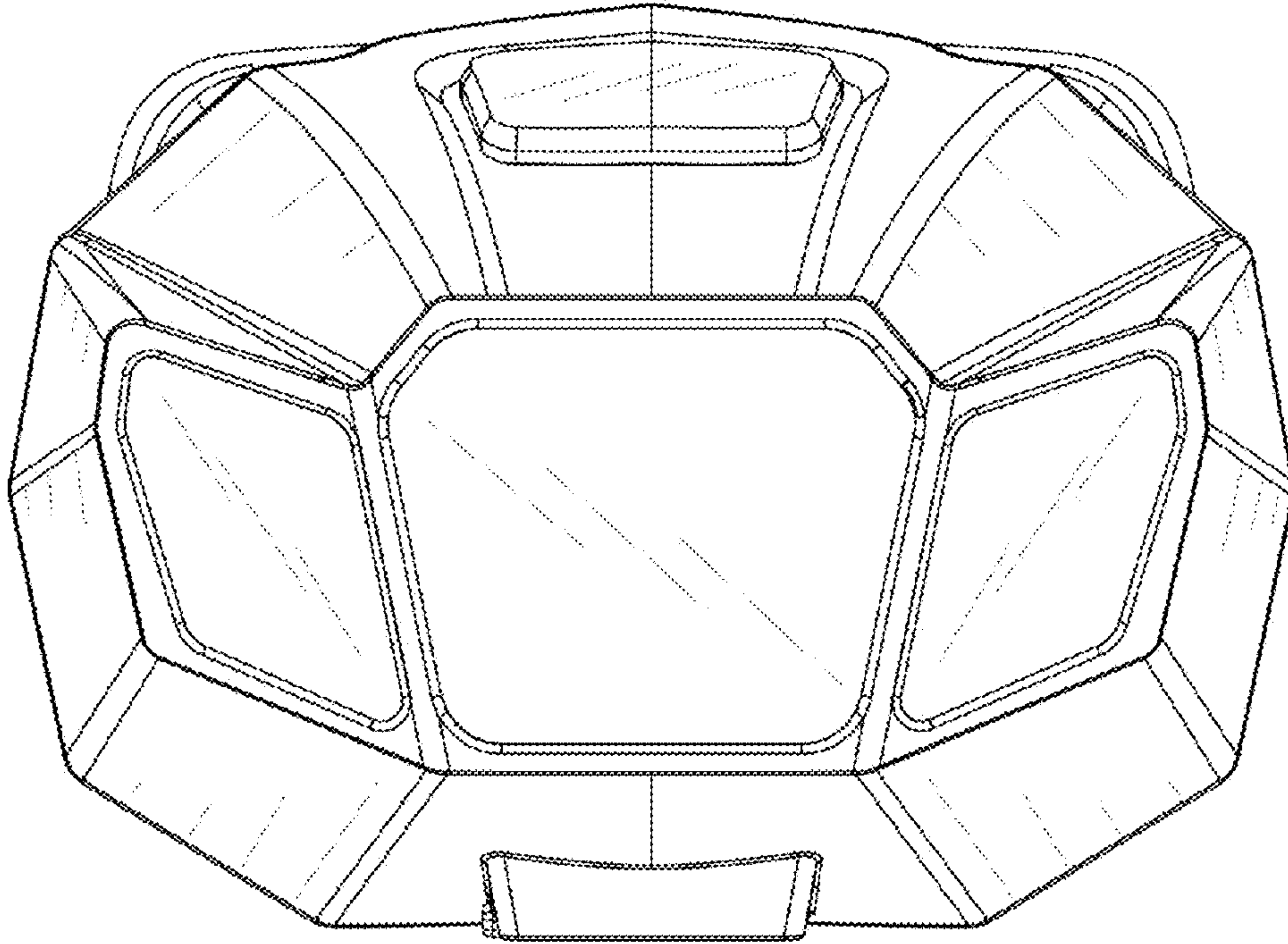


FIG. 1

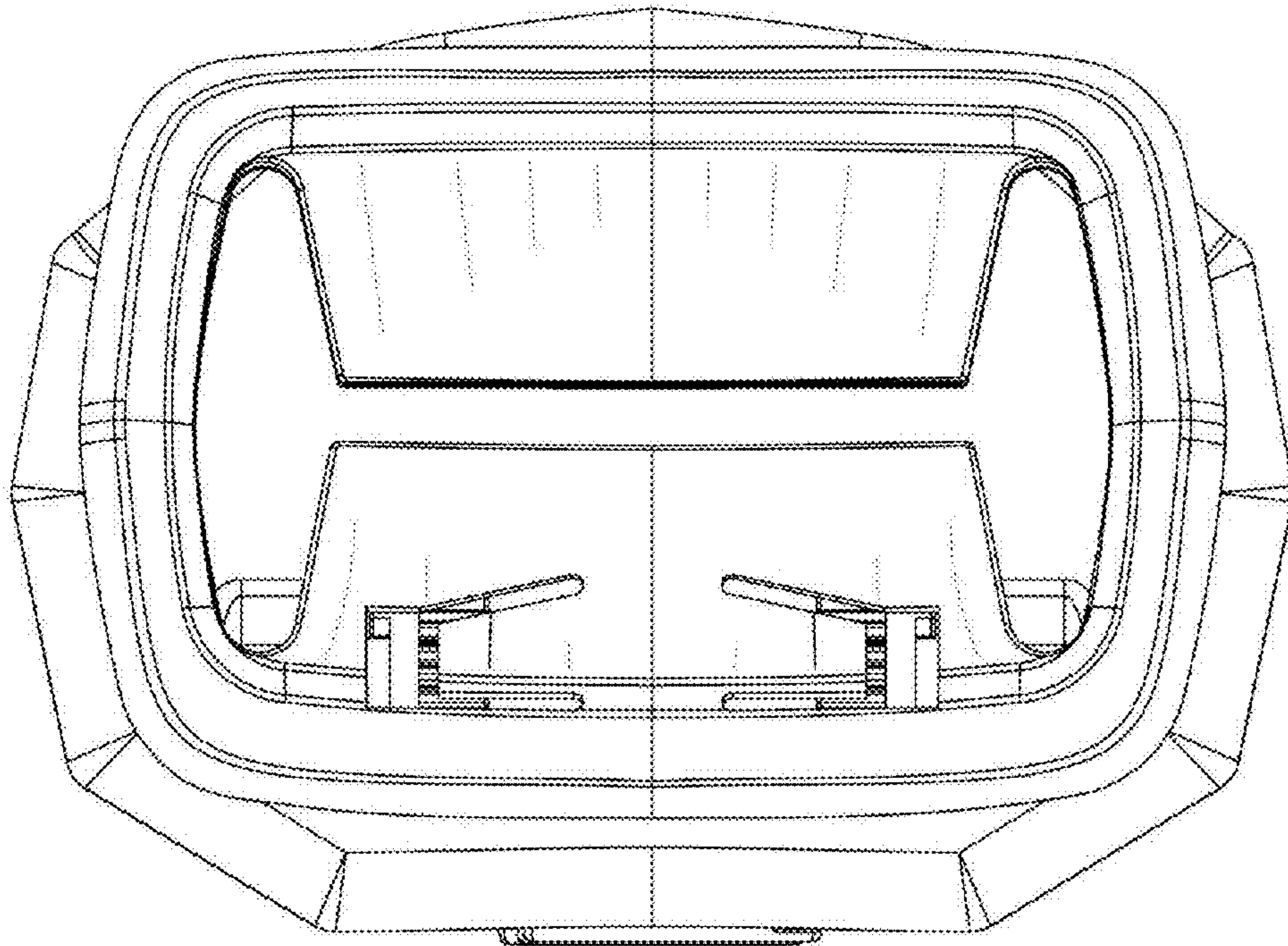


FIG. 2

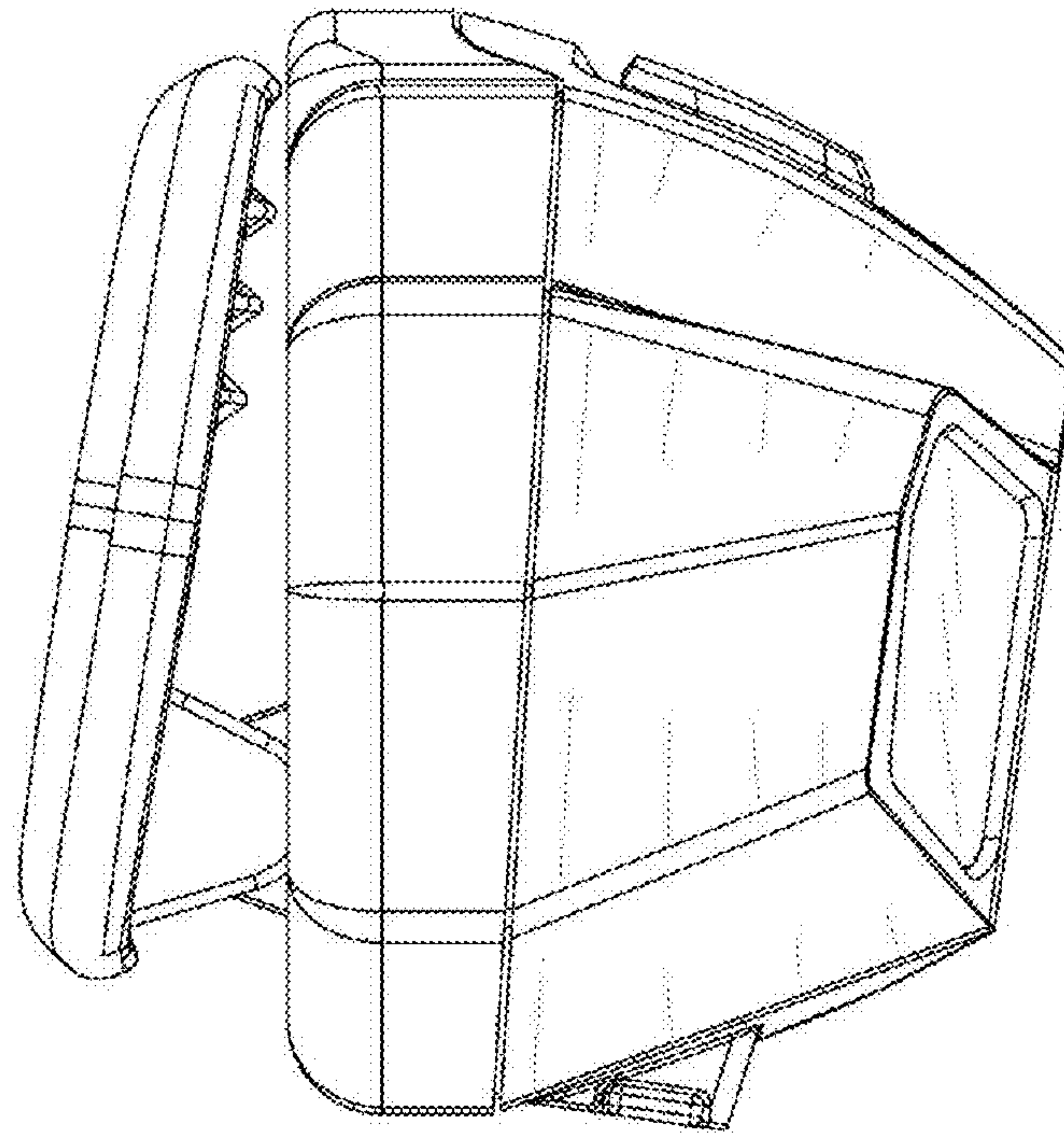


FIG. 3

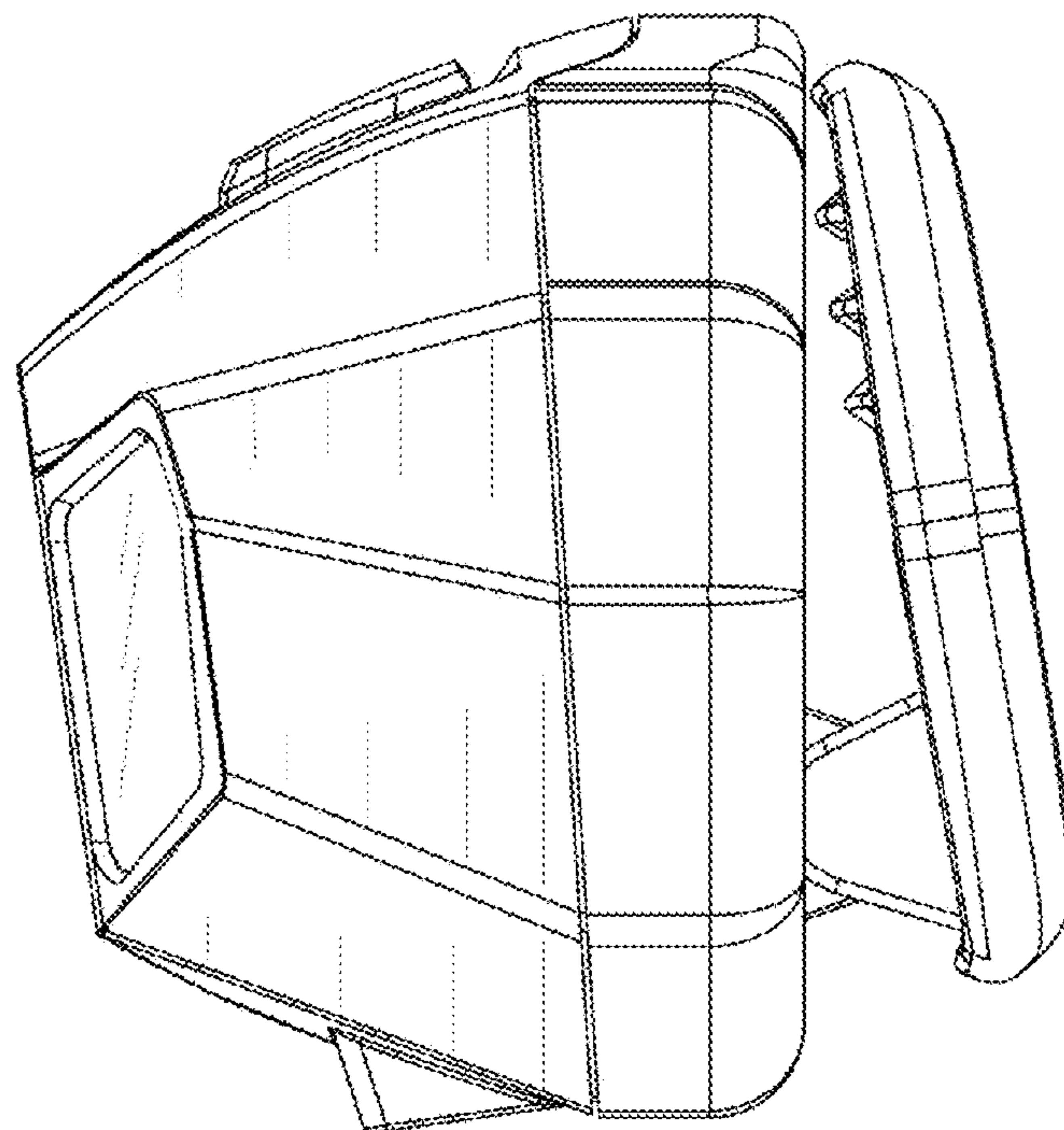


FIG. 4

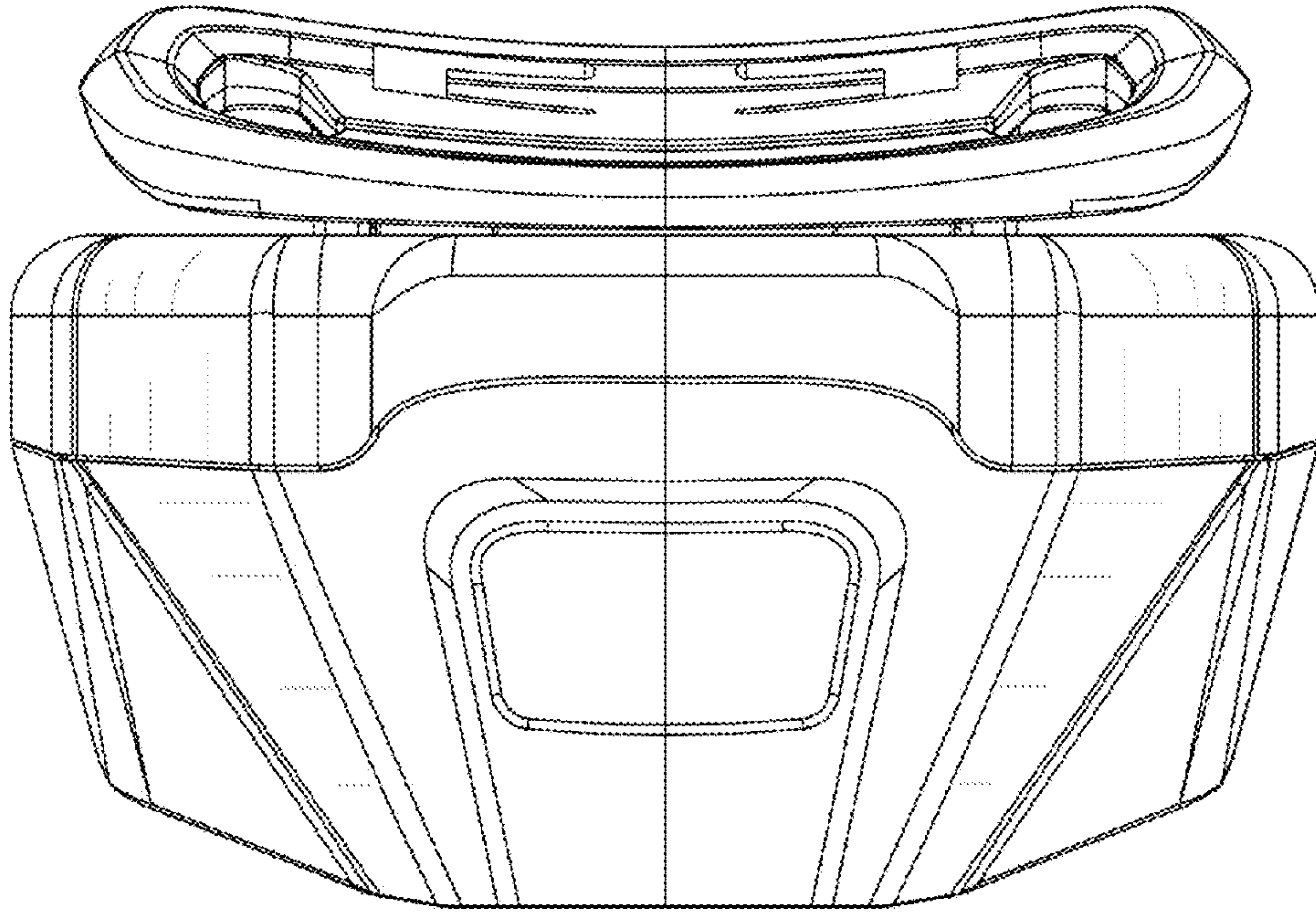


FIG. 5

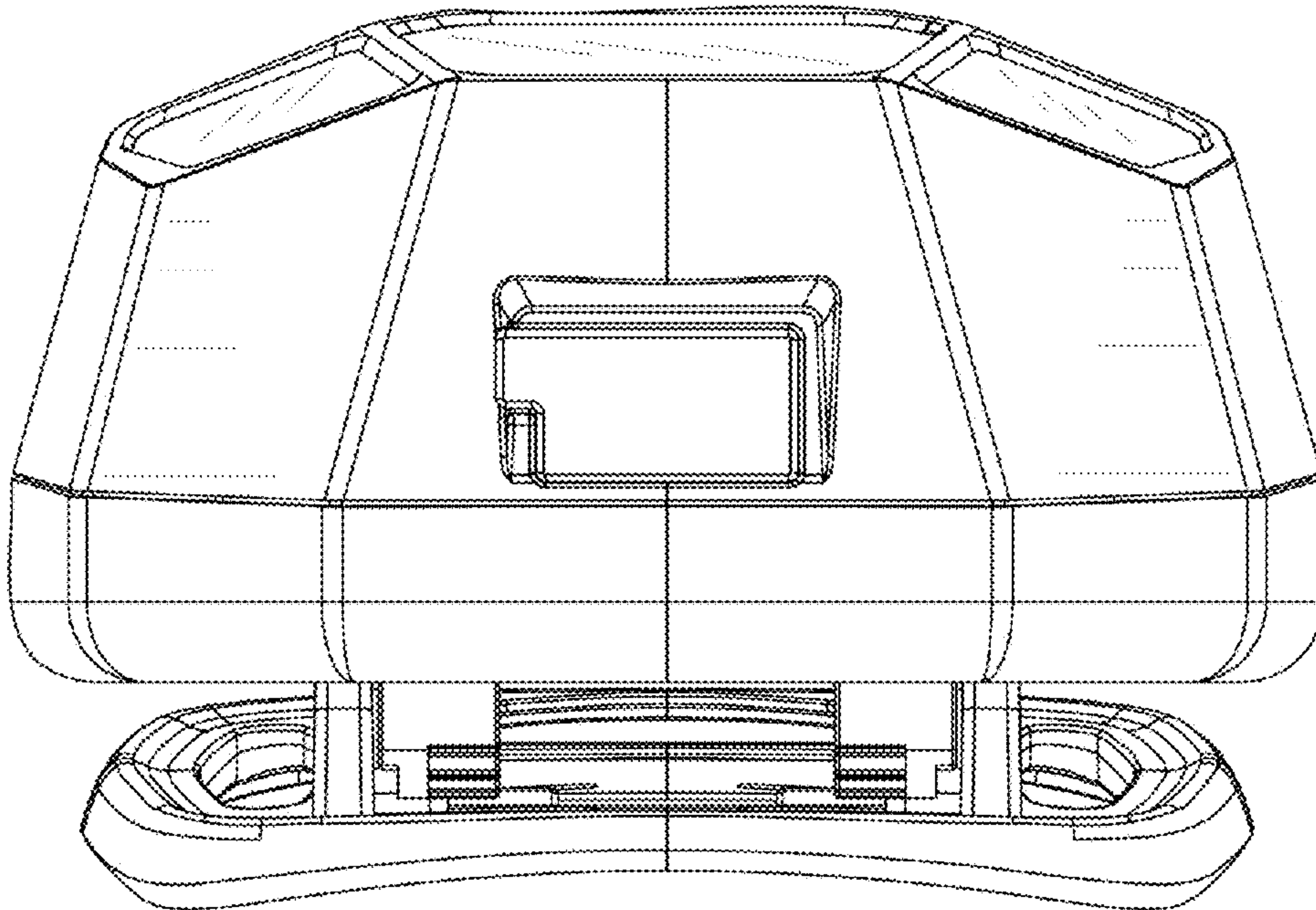


FIG. 6

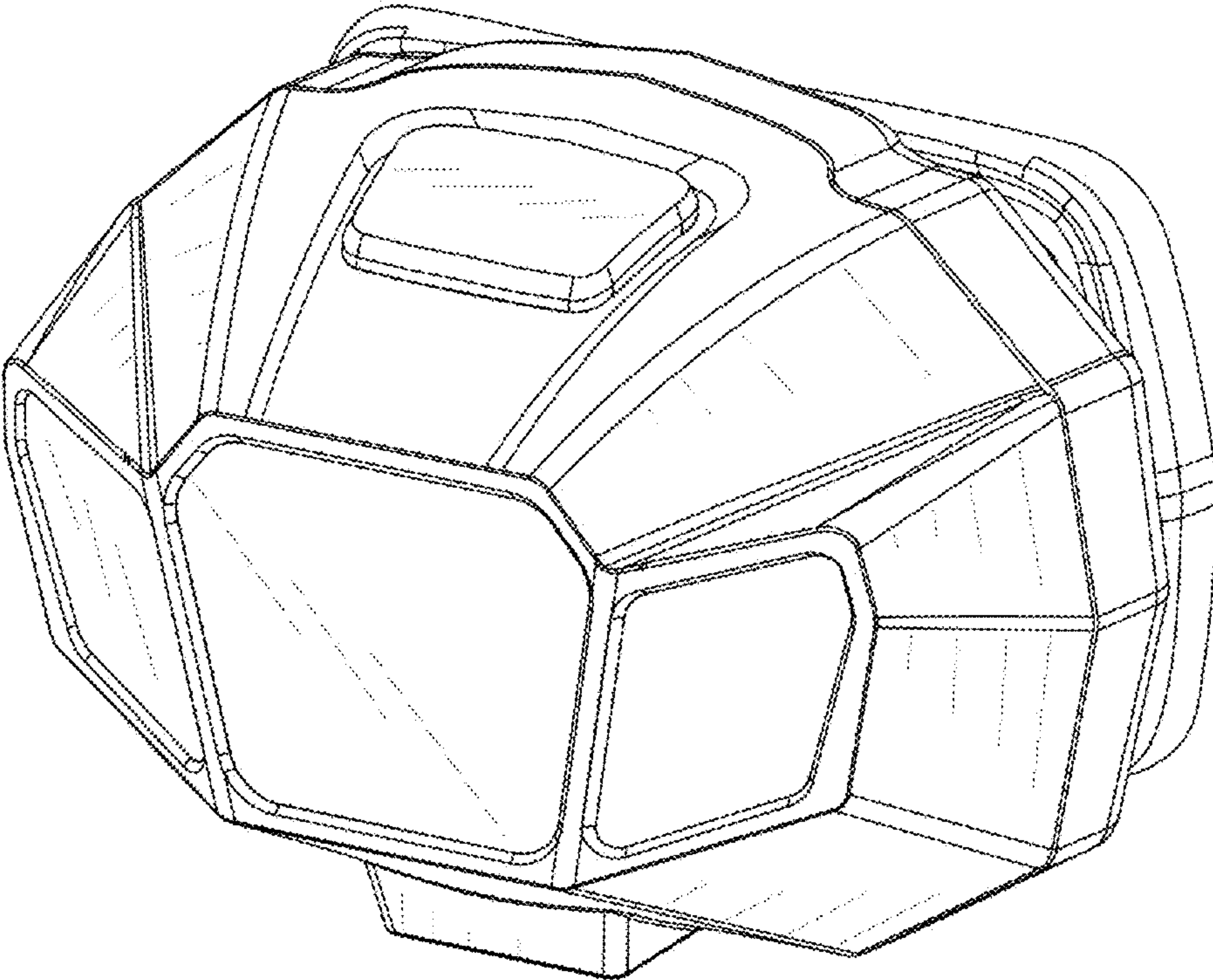


FIG. 7