



US00D758629S

(12) **United States Design Patent**
Matthews et al.

(10) **Patent No.:** **US D758,629 S**
(45) **Date of Patent:** **** Jun. 7, 2016**

- (54) **WEARABLE LIGHTING DEVICE**
- (71) Applicant: **SureFire, LLC**, Fountain Valley, CA (US)
- (72) Inventors: **John W. Matthews**, Newport Beach, CA (US); **Douglas J. Port**, Huntington Beach, CA (US); **Luis Araujo**, Las Vegas, NV (US); **Kevin Skehan**, Las Vegas, NV (US)
- (73) Assignee: **SureFire, LLC**, Fountain Valley, CA (US)

D362,736 S	9/1995	Leather	
5,580,154 A	12/1996	Coulter et al.	
D404,509 S *	1/1999	Deen	D26/37
5,904,280 A	5/1999	Chan	
6,213,619 B1	4/2001	Yu	
6,550,930 B1	4/2003	Portouche	
D485,382 S	1/2004	Palm	
D500,377 S	12/2004	Yamamoto et al.	
7,023,763 B2	4/2006	Galli	
D524,974 S	7/2006	Zernov	
D525,734 S	7/2006	Shiao	
D526,079 S	8/2006	Heun	
D531,335 S	10/2006	Garrity	

(Continued)

- (**) Term: **14 Years**
- (21) Appl. No.: **29/436,351**

U.S. Appl. No. 29/410,911, filed Jan. 13, 2012, inventors: Araujo et al., 10 pages.

(Continued)

- (22) Filed: **Nov. 5, 2012**
- (51) **LOC (10) Cl.** **26-02**
- (52) **U.S. Cl.**
USPC **D26/39**
- (58) **Field of Classification Search**
USPC D26/37, 38, 44, 46, 39; 362/157, 158, 362/183, 184, 194-196, 200-208, 253, 103, 362/105, 106
CPC F21V 33/00; F21V 14/025; F21V 21/406; F21Y 2101/02; F21L 17/00; F21L 13/08
See application file for complete search history.

OTHER PUBLICATIONS

Primary Examiner — Ian Simmons
Assistant Examiner — Carissa C Fitts
(74) *Attorney, Agent, or Firm* — Haynes and Boone, LLP

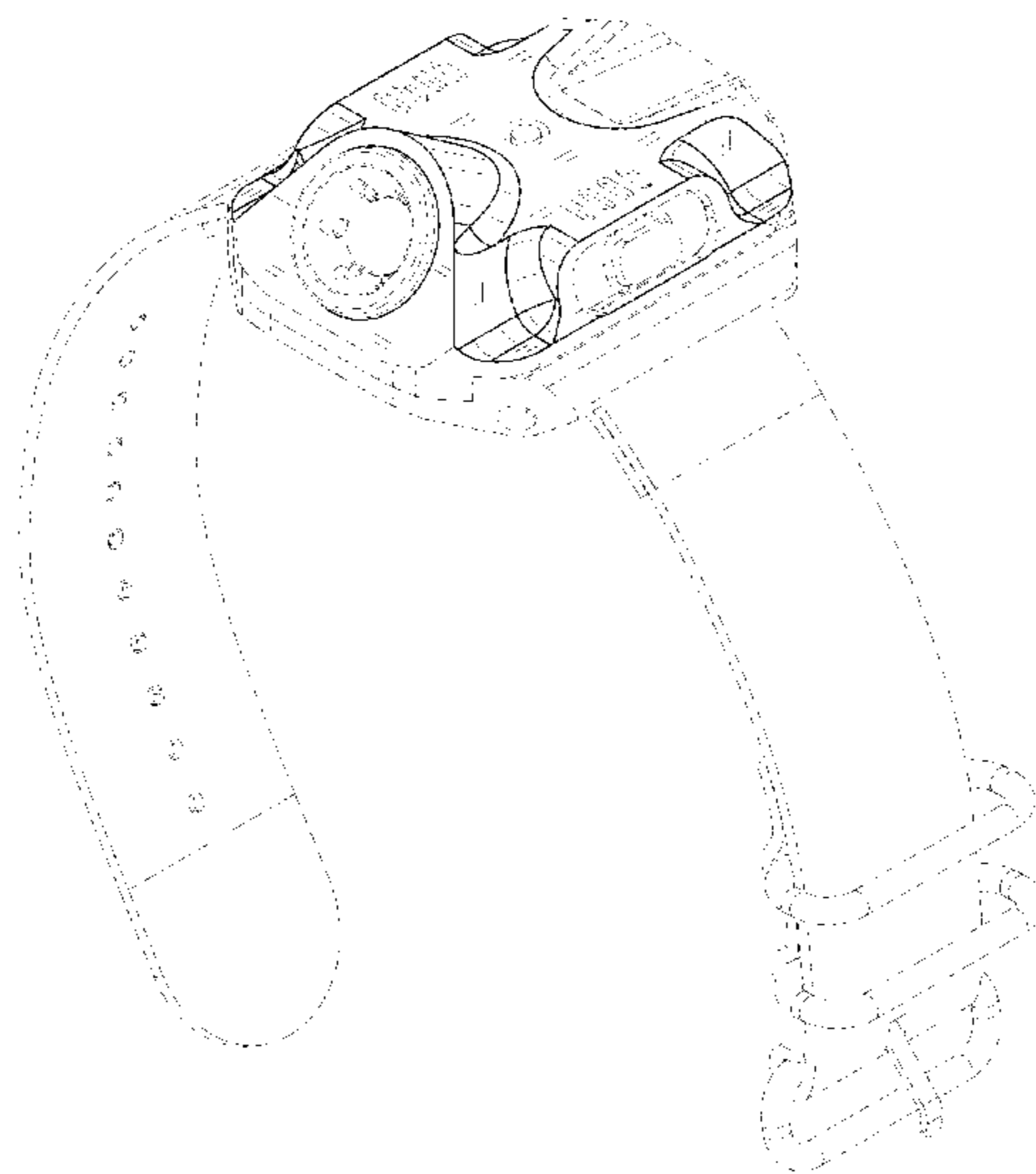
(57) **CLAIM**
The ornamental design for a wearable lighting device, as shown and described.

DESCRIPTION

FIG. 1 is a front perspective view of a wearable lighting device showing the new design;
FIG. 2 is a rear perspective view thereof;
FIG. 3 is a front side elevational view thereof;
FIG. 4 is a rear side elevational view thereof;
FIG. 5 is a right side elevational view thereof;
FIG. 6 is a left side elevational view thereof;
FIG. 7 is a top plan view thereof; and,
FIG. 8 is a bottom plan view thereof.
The broken line showing represents portions of the article not claimed and forms no part of the claimed design.

- (56) **References Cited**
U.S. PATENT DOCUMENTS
- | | | | |
|---------------|---------|------------------|---------|
| 2,805,326 A | 9/1957 | Schwartz | |
| 4,319,309 A | 3/1982 | Benoit | |
| 4,425,600 A | 1/1984 | Barnhart | |
| 4,788,631 A * | 11/1988 | Fuller | 362/103 |
| D324,579 S | 3/1992 | Crabtree, Jr. | |
| 5,191,197 A | 3/1993 | Metlitsky et al. | |
| 5,193,896 A | 3/1993 | Oberlander | |
| D353,012 S | 11/1994 | Mihavetz | |
| D361,143 S | 8/1995 | Helvey | |

1 Claim, 8 Drawing Sheets



(56)

References Cited

U.S. PATENT DOCUMENTS

D556,927 S 12/2007 Shiu
 7,303,306 B2 12/2007 Ross et al.
 D560,008 S 1/2008 Poon
 D567,975 S 4/2008 Wright et al.
 7,399,099 B2 7/2008 Stokes
 D578,691 S * 10/2008 Lau D26/39
 D579,133 S 10/2008 Shiu
 D596,325 S 7/2009 Barbour
 D605,319 S 12/2009 Devaney et al.
 D608,485 S 1/2010 Liao et al.
 D615,678 S 5/2010 DeBrunner
 D615,680 S 5/2010 Kim
 7,815,334 B2 10/2010 Sherman
 D649,272 S 11/2011 Araujo et al.
 D656,644 S * 3/2012 Lee D26/39
 D658,323 S 4/2012 Freschl
 8,157,401 B2 4/2012 Lau
 D662,239 S * 6/2012 Szymanski D26/39

D676,991 S * 2/2013 Araujo et al. D26/39
 D690,855 S * 10/2013 Araujo et al. D26/39
 2001/0048596 A1 12/2001 Kerr
 2003/0002297 A1 1/2003 Nemtsev
 2005/0018544 A1 1/2005 Galli
 2005/0254229 A1 11/2005 Hamade et al.
 2007/0058362 A1 3/2007 Winfrey
 2007/0147025 A1 6/2007 Shirey
 2007/0279894 A1 12/2007 Esses
 2008/0062676 A1 3/2008 Masuda
 2009/0108039 A1 4/2009 Sherman
 2009/0167542 A1 7/2009 Culbert et al.
 2009/0284216 A1 11/2009 Bessa et al.
 2012/0140451 A1 6/2012 Araujo et al.

OTHER PUBLICATIONS

U.S. Appl. No. 29/436,349, filed Nov. 5, 2012, inventors: Port et al.,
 10 pages.

* cited by examiner

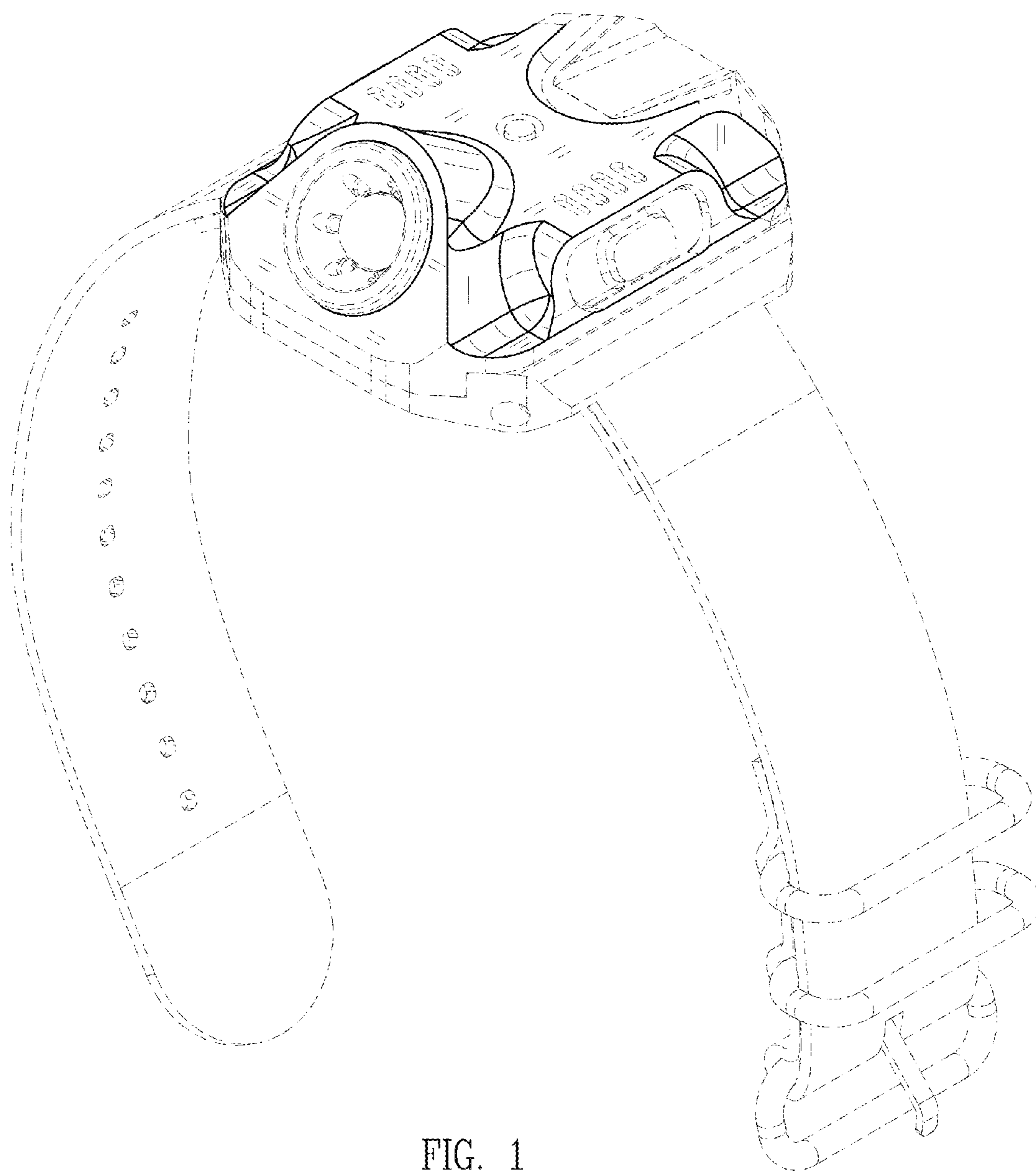


FIG. 1

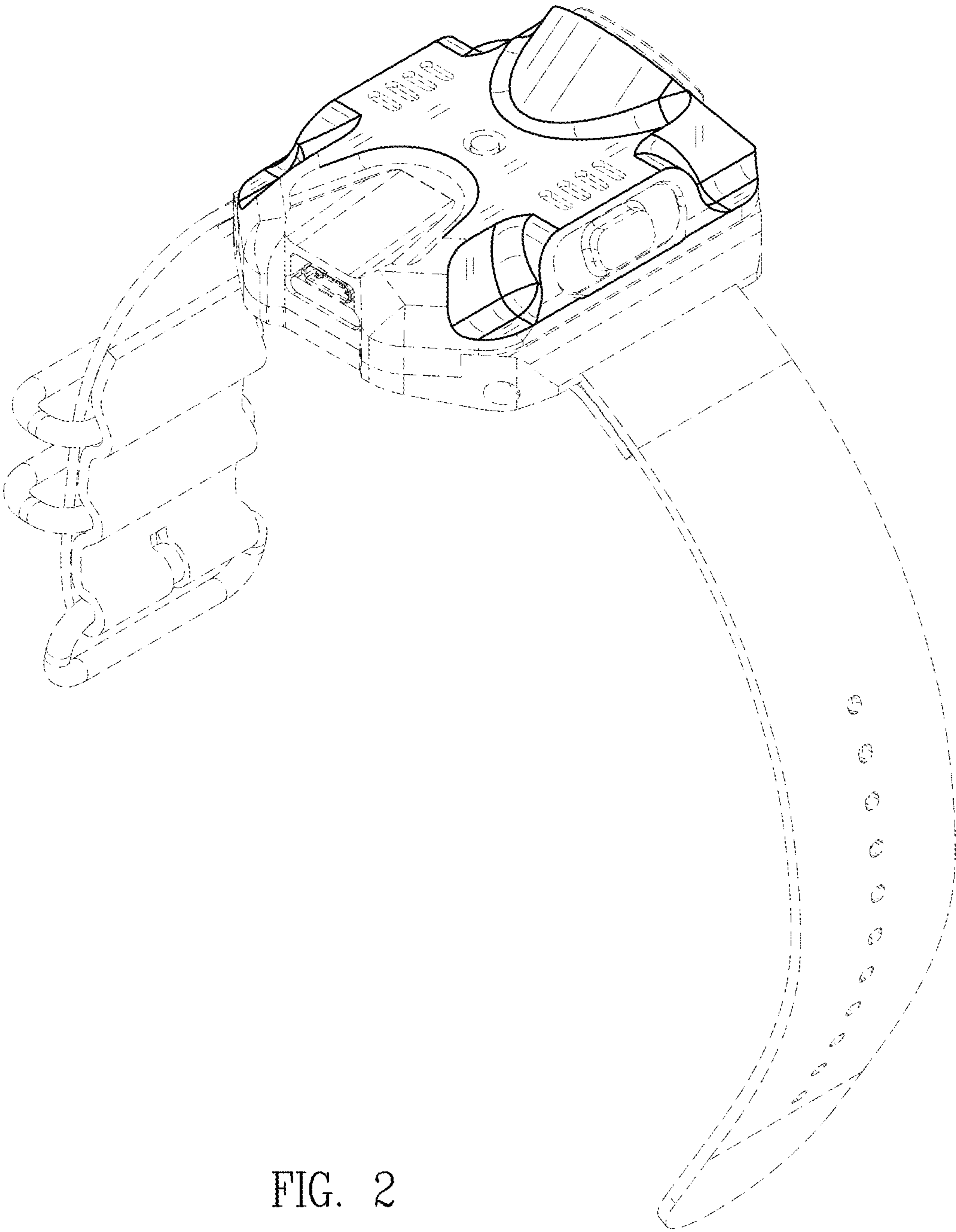


FIG. 2

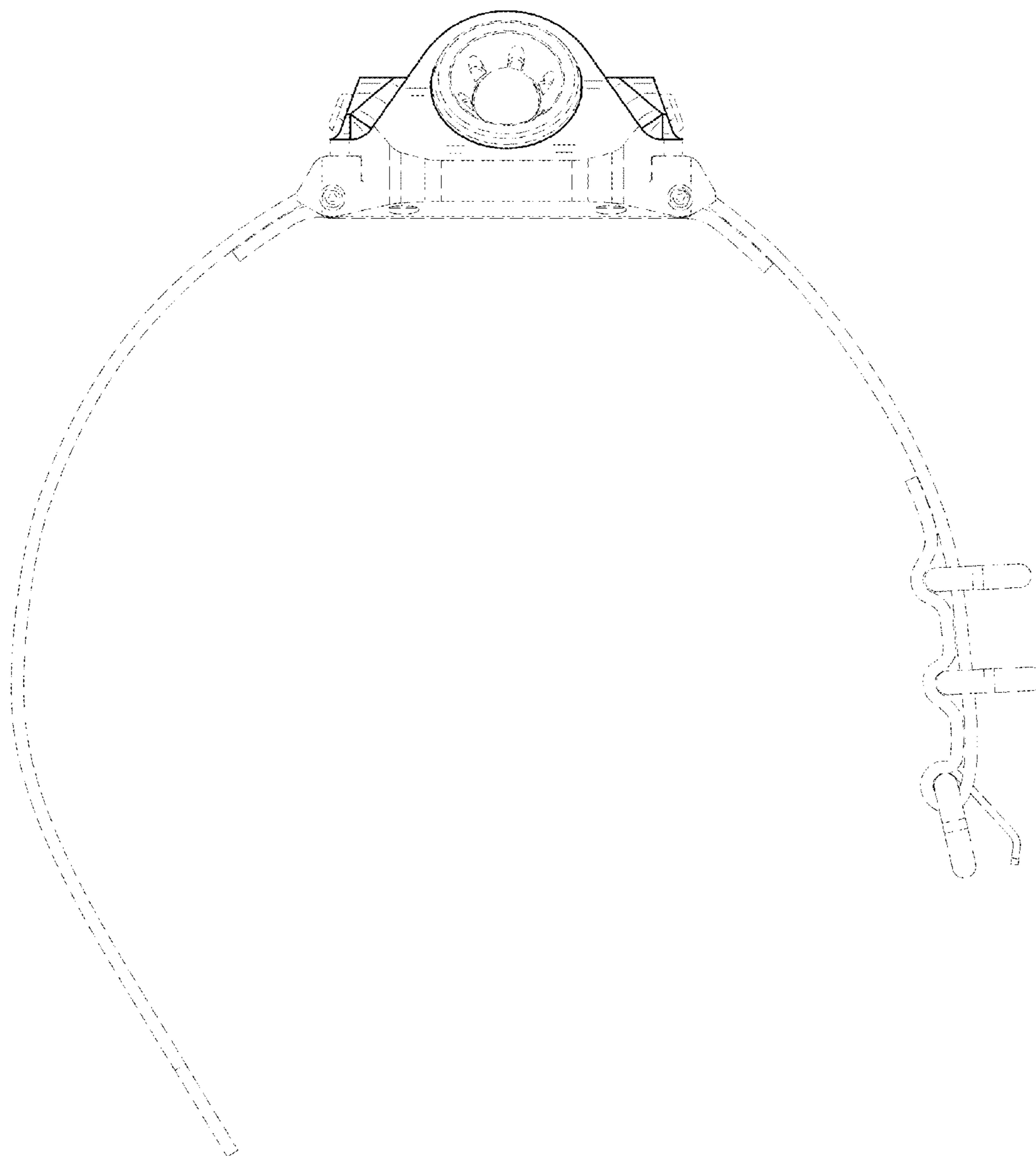


FIG. 3

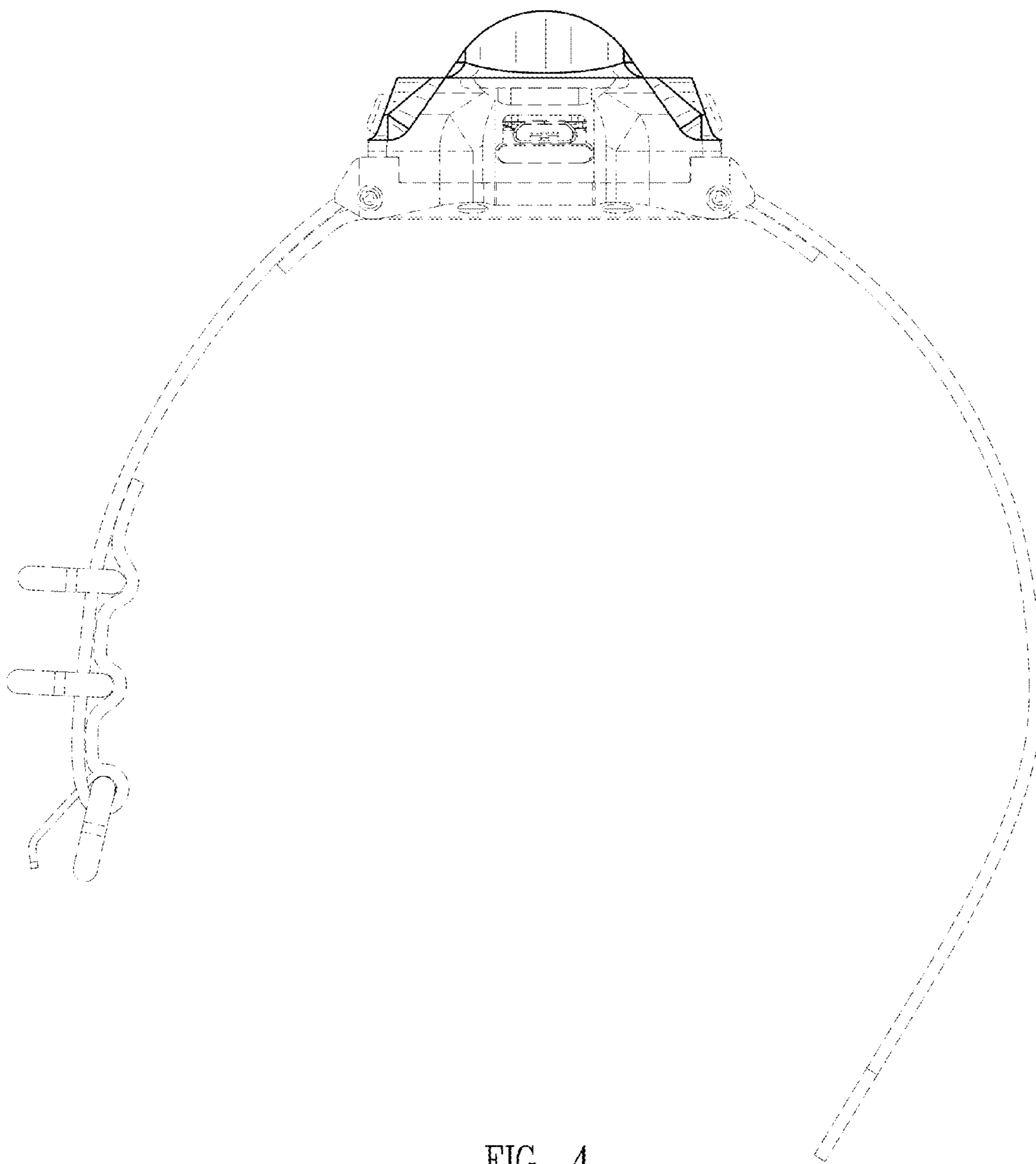


FIG. 4

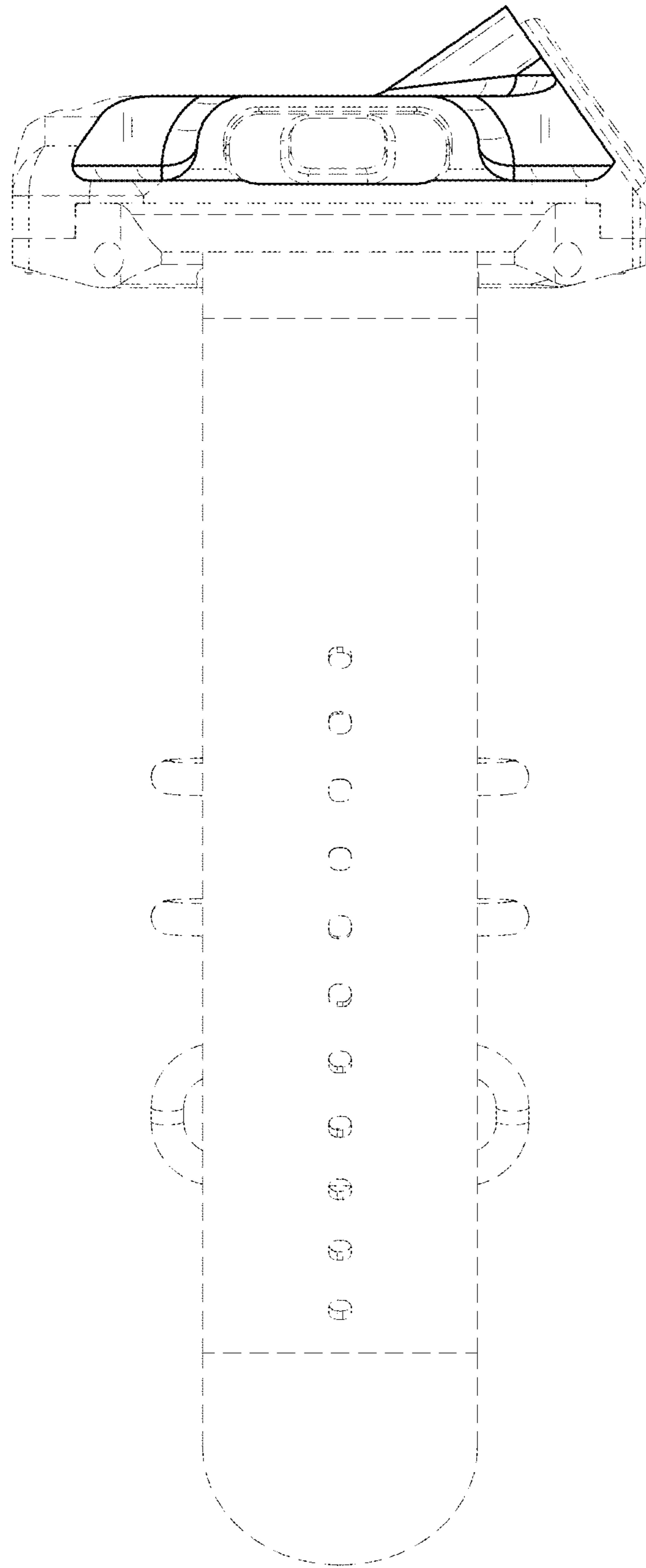


FIG. 5

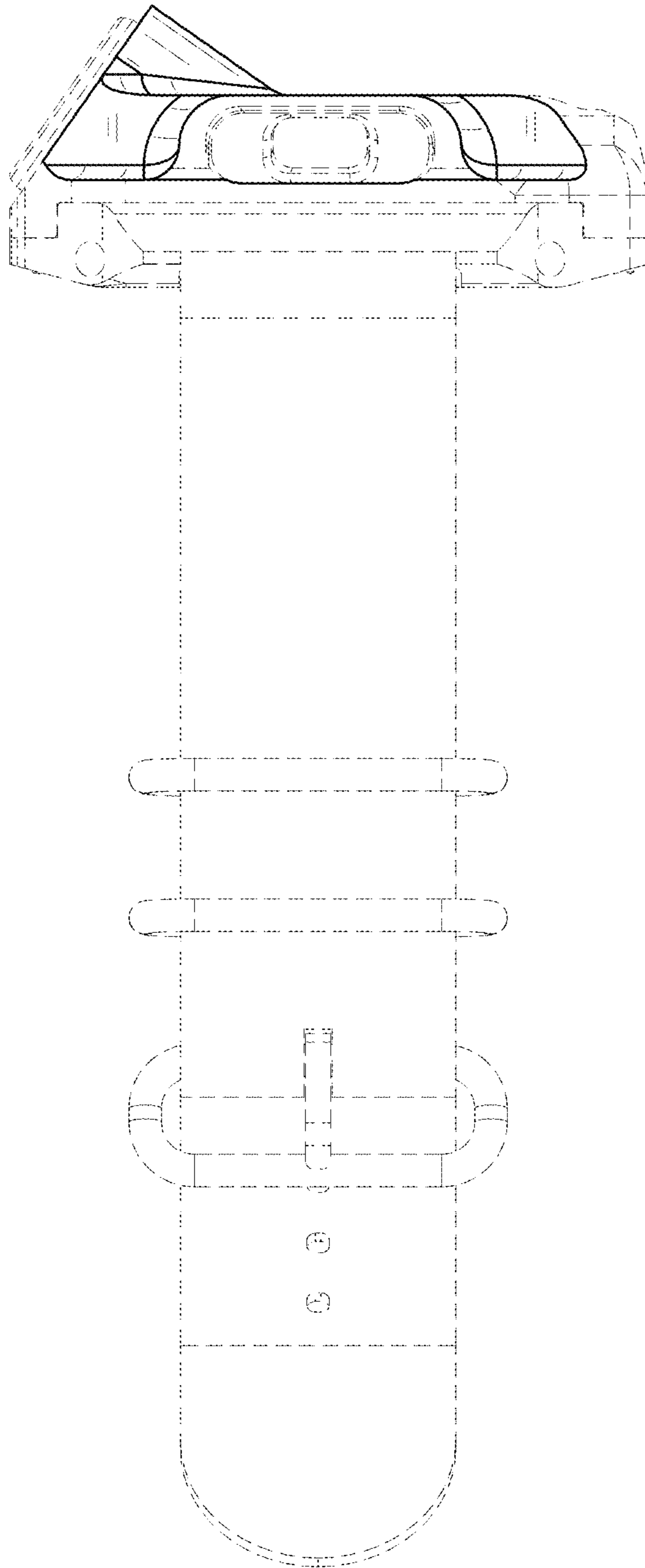


FIG. 6

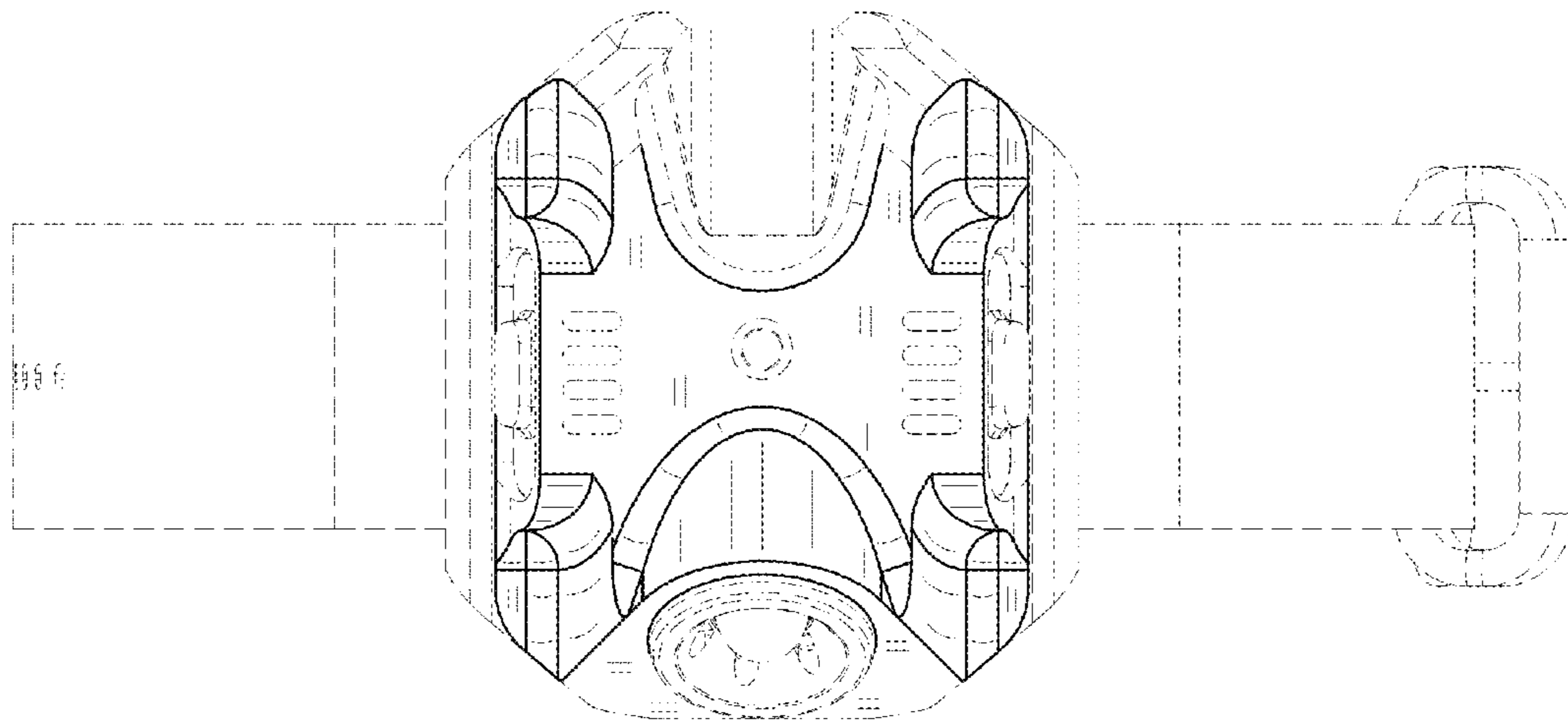


FIG. 7

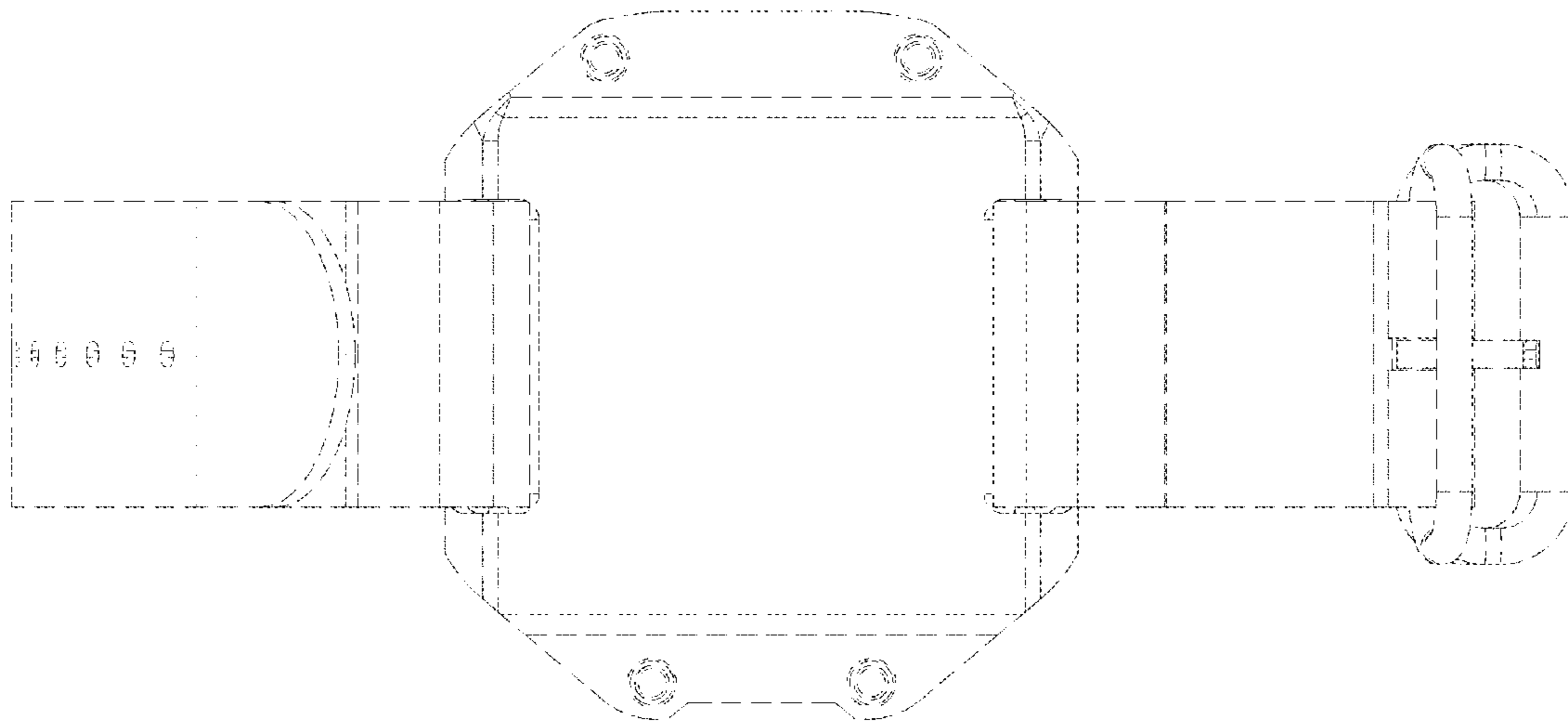


FIG. 8