



US00D758627S

(12) **United States Design Patent**
Sharrah et al.

(10) **Patent No.:** **US D758,627 S**
(45) **Date of Patent:** **** Jun. 7, 2016**

(54) **PORTABLE LIGHT**

(75) Inventors: **Raymond L. Sharrah**, Collegeville, PA (US); **Peter J. Ziegenfuss**, Sellersville, PA (US); **Brian Orme**, Phoenixville, PA (US)

(73) Assignee: **Streamlight, Inc.**, Eagleville, PA (US)

(**) Term: **14 Years**

(21) Appl. No.: **29/398,479**

(22) Filed: **Aug. 1, 2011**

Related U.S. Application Data

(63) Continuation of application No. 29/367,099, filed on Aug. 3, 2010, now Pat. No. Des. 680,672.

(51) **LOC (10) CI.** **26-02**

(52) **U.S. Cl.**
USPC **D26/37**

(58) **Field of Classification Search**
USPC D26/37, 44, 38, 39, 46, 51; 362/157, 362/158, 184, 194-208
CPC ... F21V 33/00; F21V 14/025; F21Y 2101/02; F21L 17/00; F21L 13/08
See application file for complete search history.

(56) **References Cited**

U.S. PATENT DOCUMENTS

D139,628 S *	12/1944	Chapman	D26/37
2,539,974 A	1/1951	Riddell		
2,612,598 A	9/1952	Berman		
2,949,612 A	8/1960	Kafko et al.		
RE31,458 E	12/1983	Trattner		
D296,827 S	7/1988	Yuen		
D306,212 S *	2/1990	Holterscheidt	D26/44
D328,144 S	7/1992	Yuen		
D332,839 S *	1/1993	Beckner, Jr.	D26/37

D344,358 S	2/1994	Yuen
D349,776 S	8/1994	Yuen
D413,993 S	9/1999	Yuen
6,022,119 A	2/2000	Booty, Jr.
D425,642 S	5/2000	Zeller
6,142,644 A	11/2000	Leung

(Continued)

OTHER PUBLICATIONS

SureFire, LLC, "Headlamps", <http://www.surefire.com/headlamps>, © 2010, 3 pages.

(Continued)

Primary Examiner — Ian Simmons

Assistant Examiner — Carissa Fitts

(74) *Attorney, Agent, or Firm* — Clement A. Berard; Dann, Dorfman, Herrell & Skillman, PC

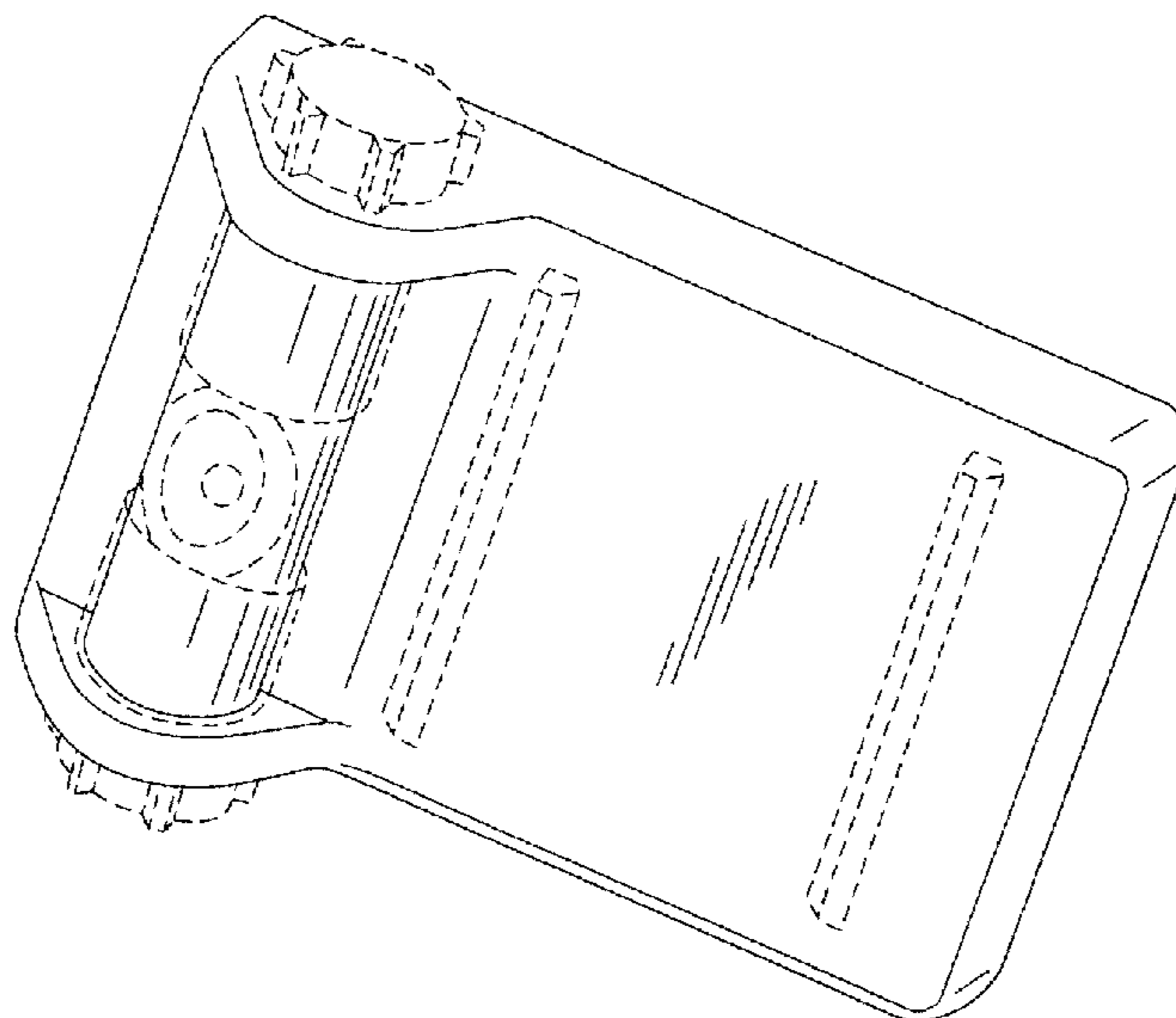
(57) **CLAIM**

The ornamental design for a portable light, substantially as shown and described.

DESCRIPTION

FIG. 1 is a perspective view of an ornamental design for a portable light;
FIG. 2 is a side view of a first side thereof;
FIG. 3 is a side view of a second side thereof;
FIG. 4 is a side view of a third side thereof, of which the opposite side is a mirror image;
FIG. 5 is an end view of a first end thereof; and,
FIG. 6 is an end view of a second end thereof.
Broken lines in the illustrations of the drawing indicate unclaimed parts of the article and/or unclaimed environment that are not part of the design herein. The terms end, side, top and bottom are by way of example only and do not require or imply a particular orientation.

1 Claim, 3 Drawing Sheets



(56)

References Cited

U.S. PATENT DOCUMENTS

6,469,619 B1 10/2002 Mayercheck et al.
 6,764,202 B1 7/2004 Herring et al.
 6,905,223 B2 6/2005 Halasz
 6,953,260 B1 10/2005 Allen
 D518,584 S * 4/2006 Chan D26/37
 7,021,783 B2 4/2006 Quittner
 7,033,036 B2 4/2006 Pederson
 7,048,403 B2 5/2006 Parker et al.
 D548,384 S * 8/2007 Komar D26/60
 D549,379 S 8/2007 Sharrah et al.
 7,306,348 B2 12/2007 Quittner
 D589,186 S * 3/2009 Coughaine et al. D26/37
 7,497,584 B1 3/2009 Quittner
 7,513,662 B2 4/2009 Parker et al.
 D595,875 S * 7/2009 Irvine D26/24
 D645,179 S * 9/2011 Gulker D26/37
 D647,229 S * 10/2011 Ma D26/37
 8,066,396 B2 11/2011 Hunt
 D650,933 S * 12/2011 Cheng D26/37
 D655,433 S * 3/2012 Levine D26/65
 D667,404 S * 9/2012 Akana et al. D14/389
 2002/0191396 A1 12/2002 Reiff et al.
 2003/0112624 A1 * 6/2003 Quittner 362/200
 2005/0041428 A1 2/2005 Zhang
 2007/0159809 A1 7/2007 Kim et al.
 2007/0159810 A1 7/2007 Kim

2007/0171629 A1 * 7/2007 Langenwaller 362/108
 2009/0290335 A1 11/2009 Levine
 2010/0002421 A1 1/2010 Arnold, III
 2010/0165609 A1 7/2010 Sohn
 2010/0165633 A1 7/2010 Moolman et al.

OTHER PUBLICATIONS

Underwater Kinetics, "Vizion eLED—Waterproof LED Headlamp",
 © 2007, 1 page.
 Lab Safety Supply, "Bright Star® WorkSafe® Razor Zone Zero
 Flashlight", © 2011 GHC Specialty Brands, LLC, www.labsafety.
 com/bright-star-worksafe-razor-zone-zero-flashlight_24535811, 2
 pages.
 Global Stores Group Industrial & Safety Division, "Bright Star Razor
 LED Flashlights", © 2006, www.allsafetysupplies.com/bright-star-
 razor-LED-flashlights_p_14674, 2 pages.
 Bright Star, "Product Data Sheet: Razor 3AA-cell LED Flashlight",
 date prior to May 5, 2011, 1 pg.
 Cat Eye Co., Ltd., "Headlights", http://www.cateye.com/en/product
 . . . , © 2010, 23 pages.
 International Searching Authority/US, "International Search
 Report—Application No. PCT/US2011/046119", Dec. 12, 2011, 2
 pages.
 USPTO, "Notice of References Cited (PTO-892) U.S. Appl. No.
 29/367,099", mail date Dec. 12, 2012, 1 page.

* cited by examiner

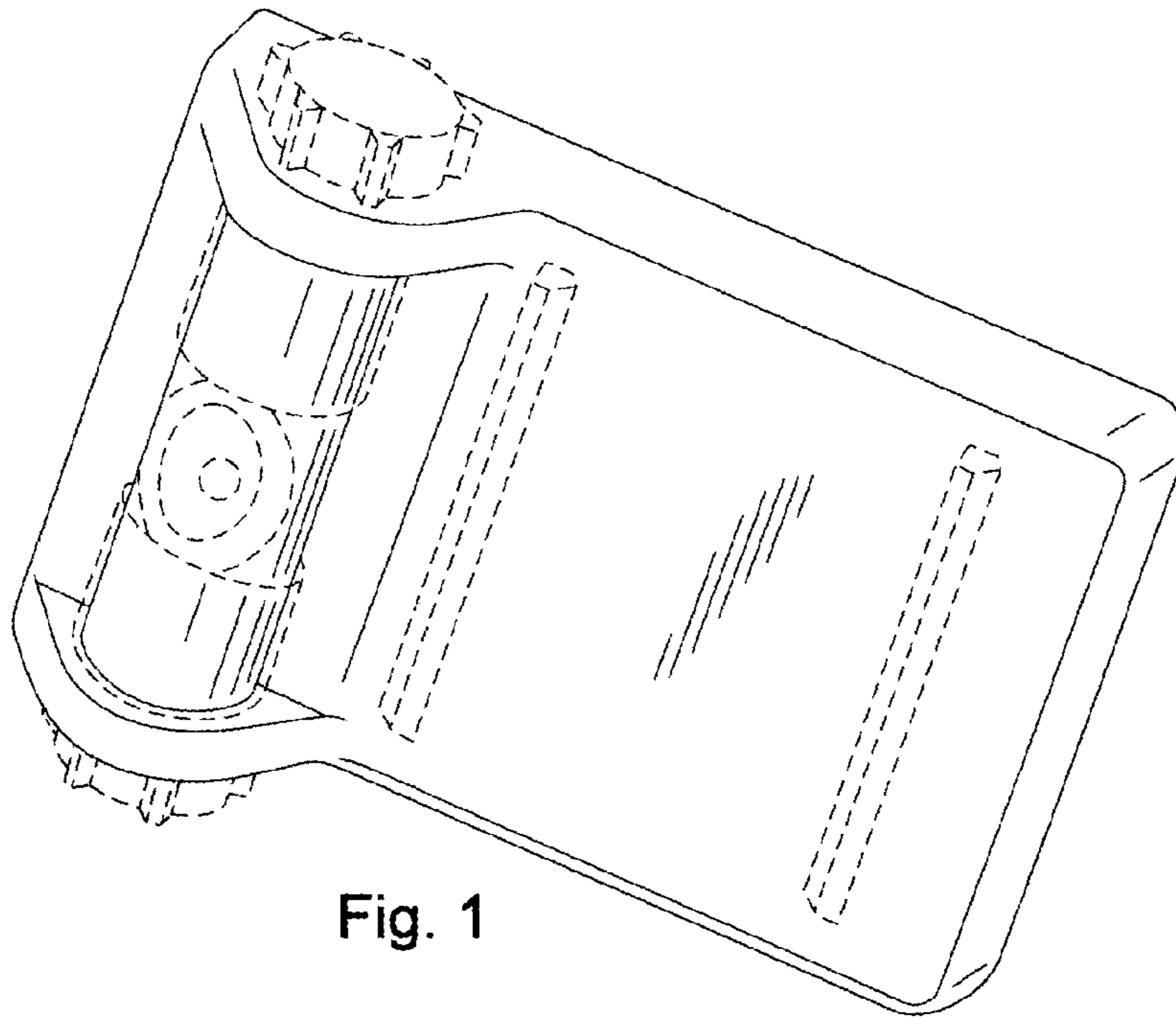


Fig. 1

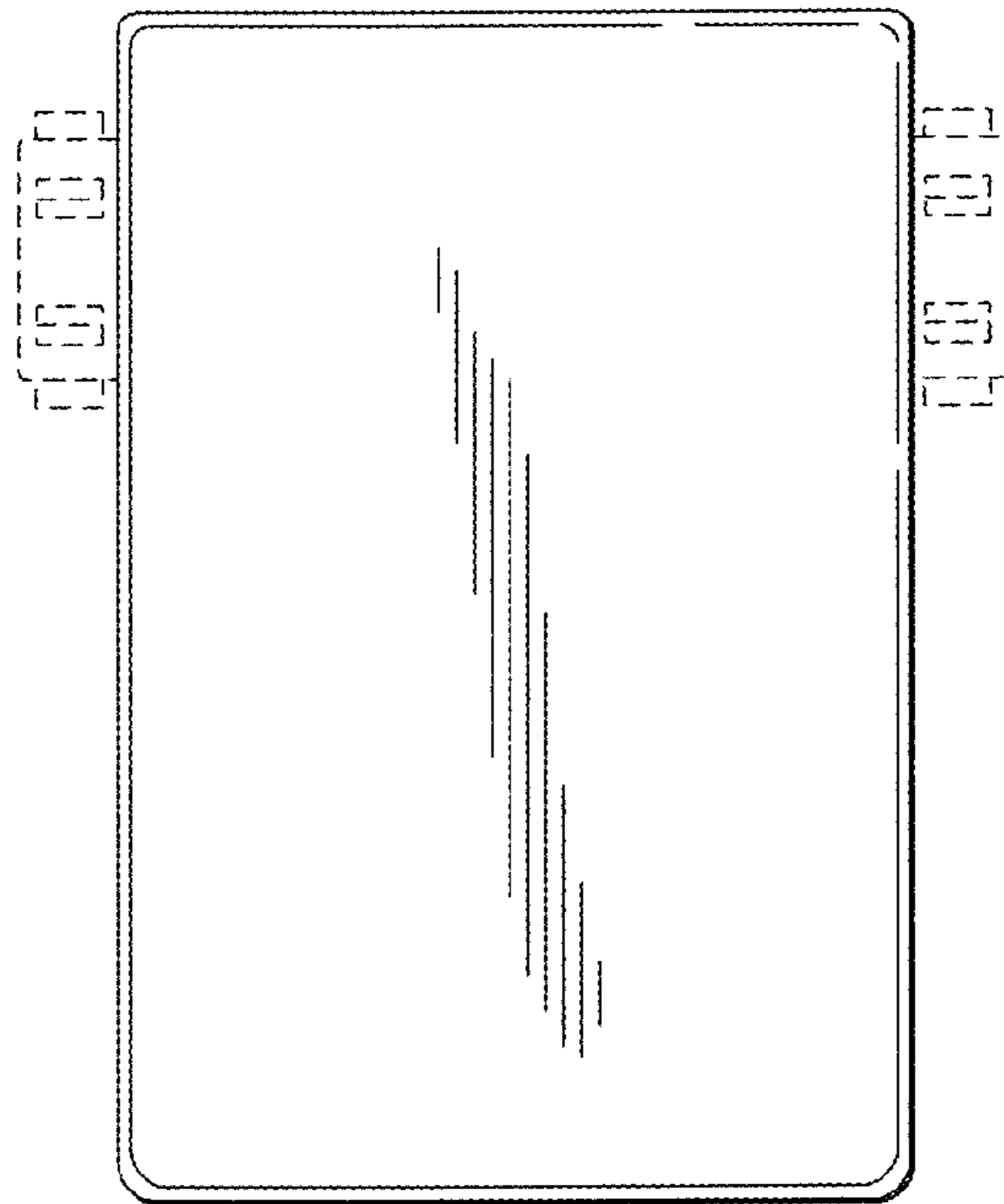


Fig. 2

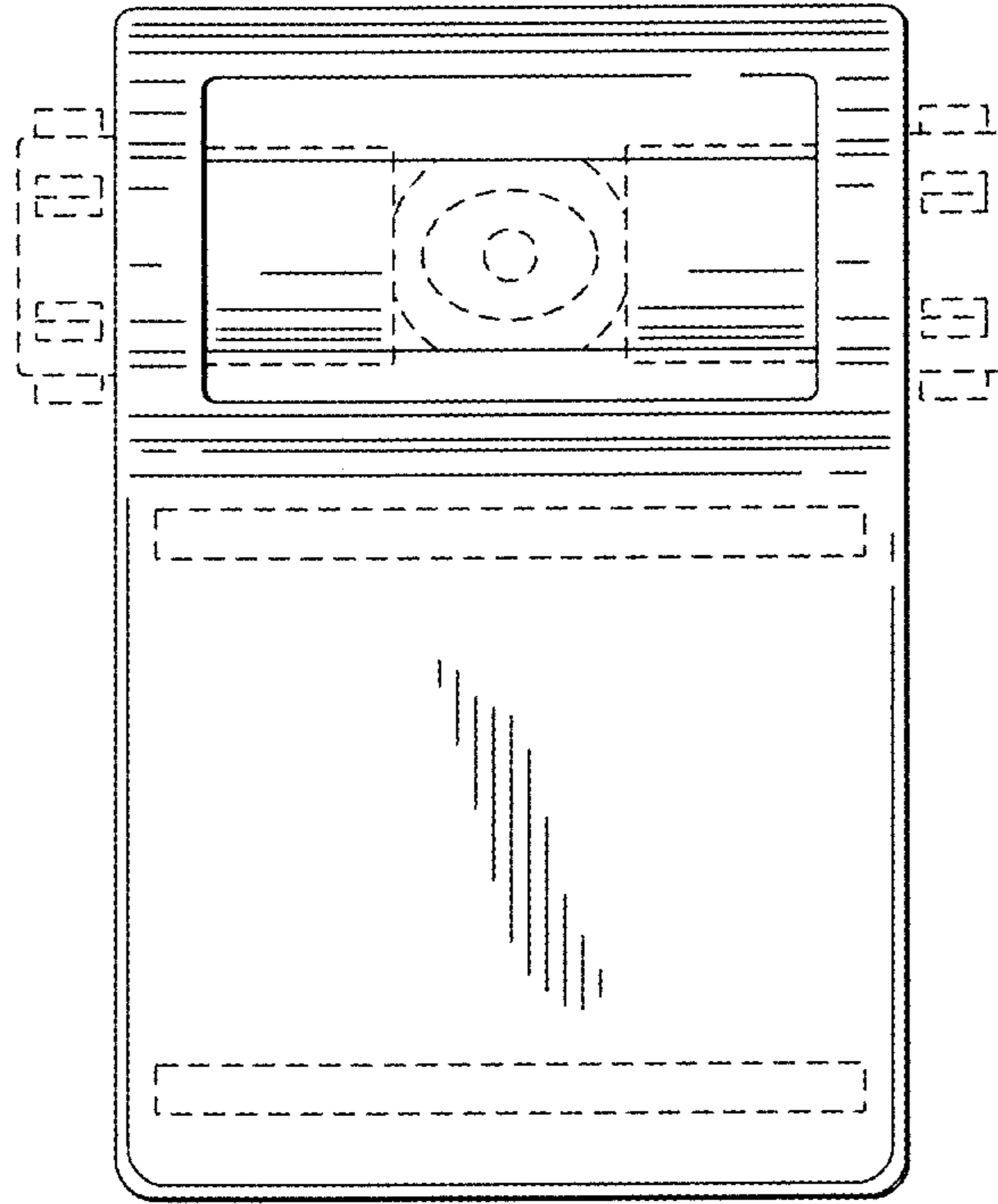


Fig. 3

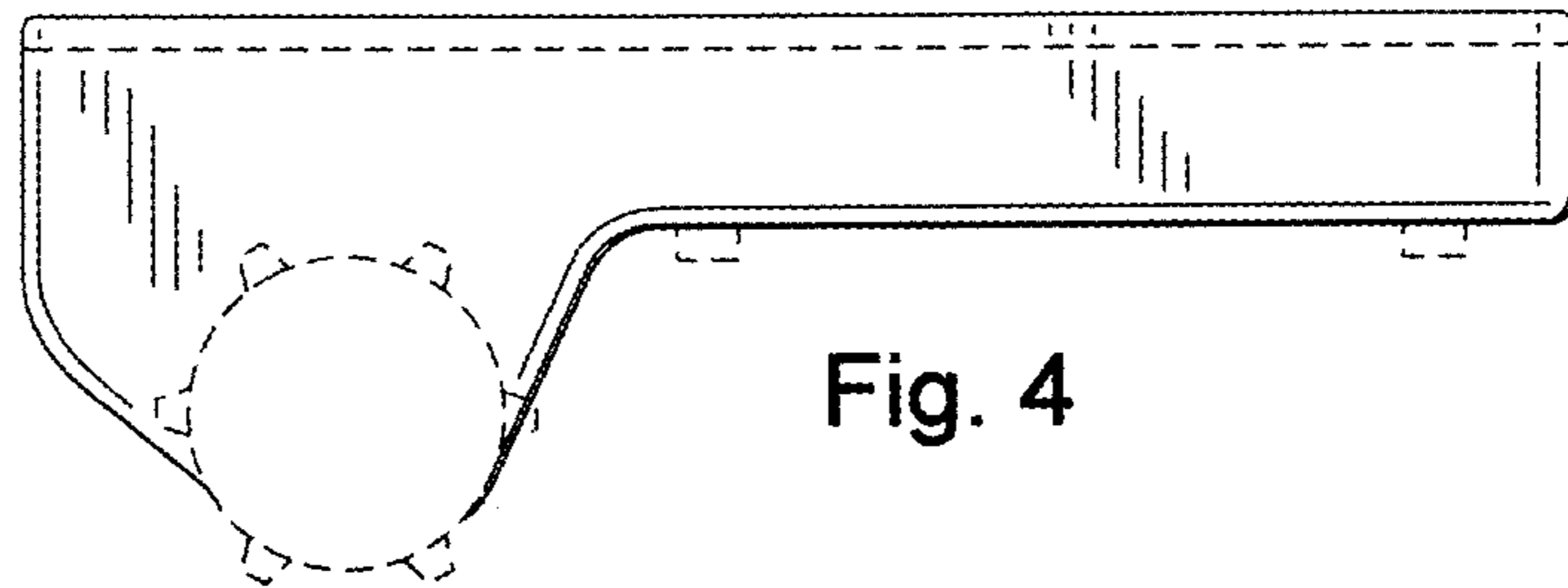


Fig. 4

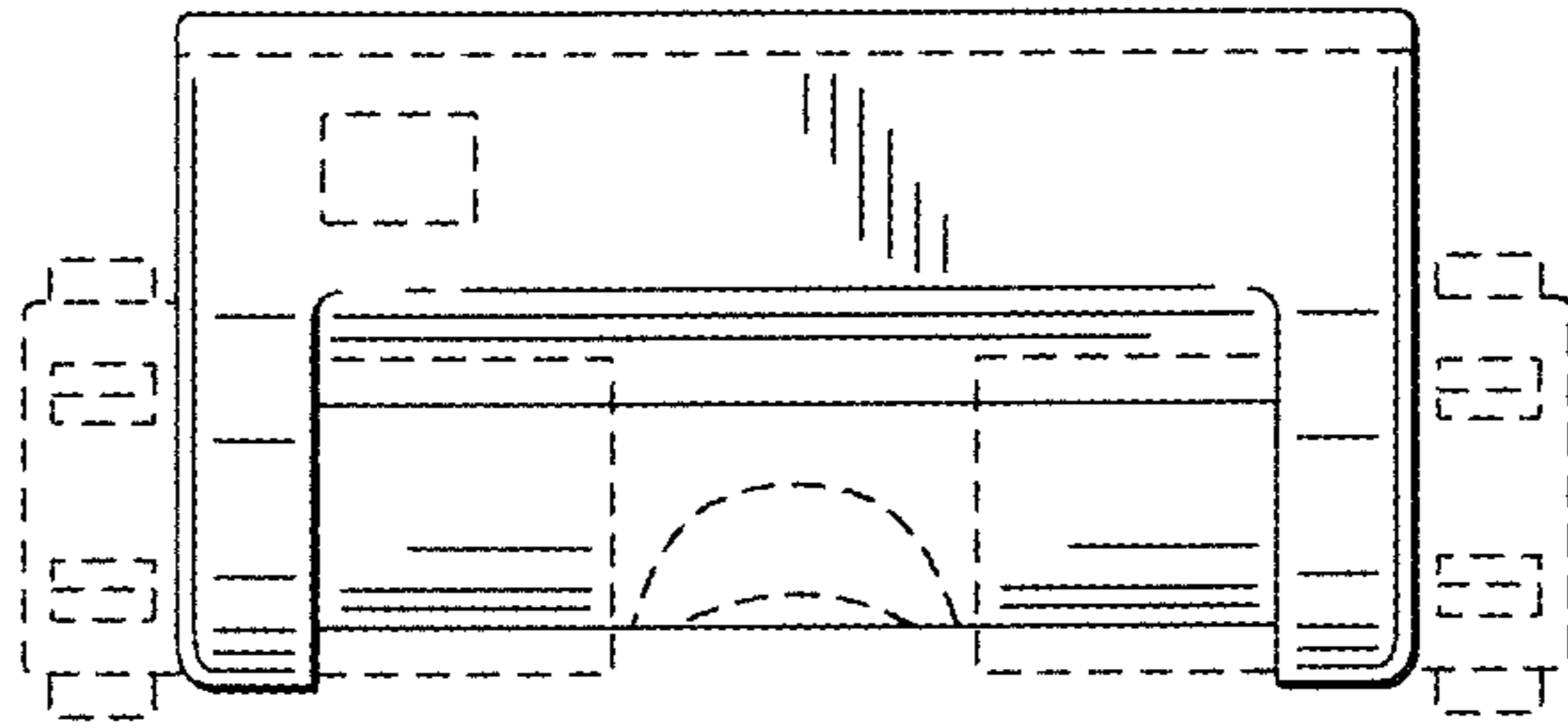


Fig. 5

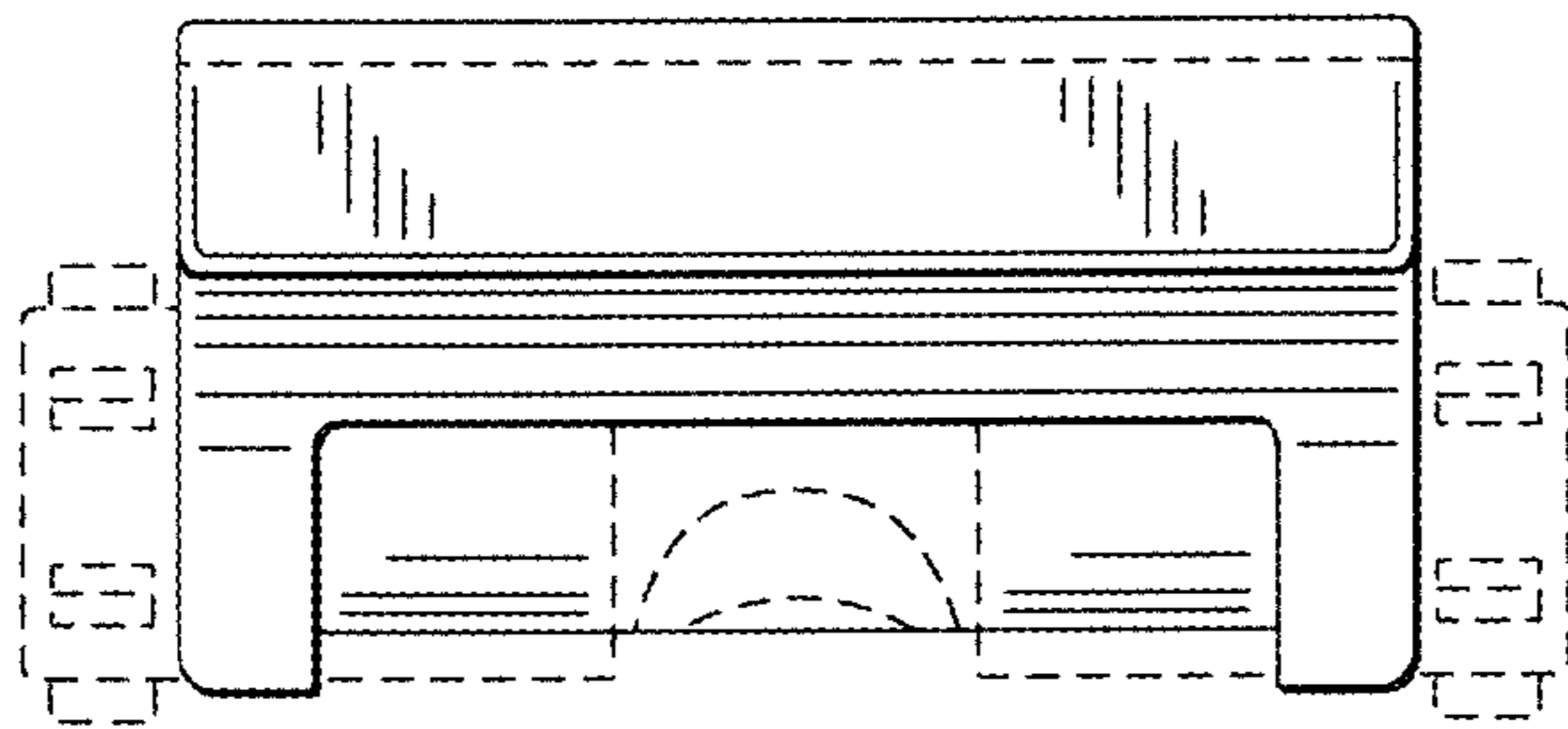


Fig. 6