



US00D758624S

(12) **United States Design Patent**
Largent

(10) **Patent No.:** **US D758,624 S**
(45) **Date of Patent:** **** Jun. 7, 2016**

(54) **LIGHT FIXTURE**

(71) Applicant: **Christopher P. Largent**, Phoenix, AZ
(US)

(72) Inventor: **Christopher P. Largent**, Phoenix, AZ
(US)

(73) Assignee: **JST Performance, LLC**, Gilbert, AZ
(US)

(**) Term: **14 Years**

(21) Appl. No.: **29/498,612**

(22) Filed: **Aug. 5, 2014**

(51) **LOC (10) Cl.** **26-06**

(52) **U.S. Cl.**
USPC **D26/28**

(58) **Field of Classification Search**
USPC D26/28, 31, 72, 80, 89; 362/147, 488,
362/489, 490, 491, 492, 493
CPC B60Q 3/0203; B60Q 3/0279
See application file for complete search history.

(56) **References Cited**

U.S. PATENT DOCUMENTS

D471,655 S * 3/2003 Brussing D26/28
7,287,886 B2 * 10/2007 Iwai B60Q 1/26
362/488
D591,440 S * 4/2009 Maxik D26/72
7,775,694 B2 * 8/2010 Nagai B60Q 3/0203
362/365

D690,039 S * 9/2013 Wilson D26/28
D738,552 S * 9/2015 Heiner D26/31
D739,584 S * 9/2015 Heiner D26/31

* cited by examiner

Primary Examiner — Ian Simmons
Assistant Examiner — Harold Blackwell, II

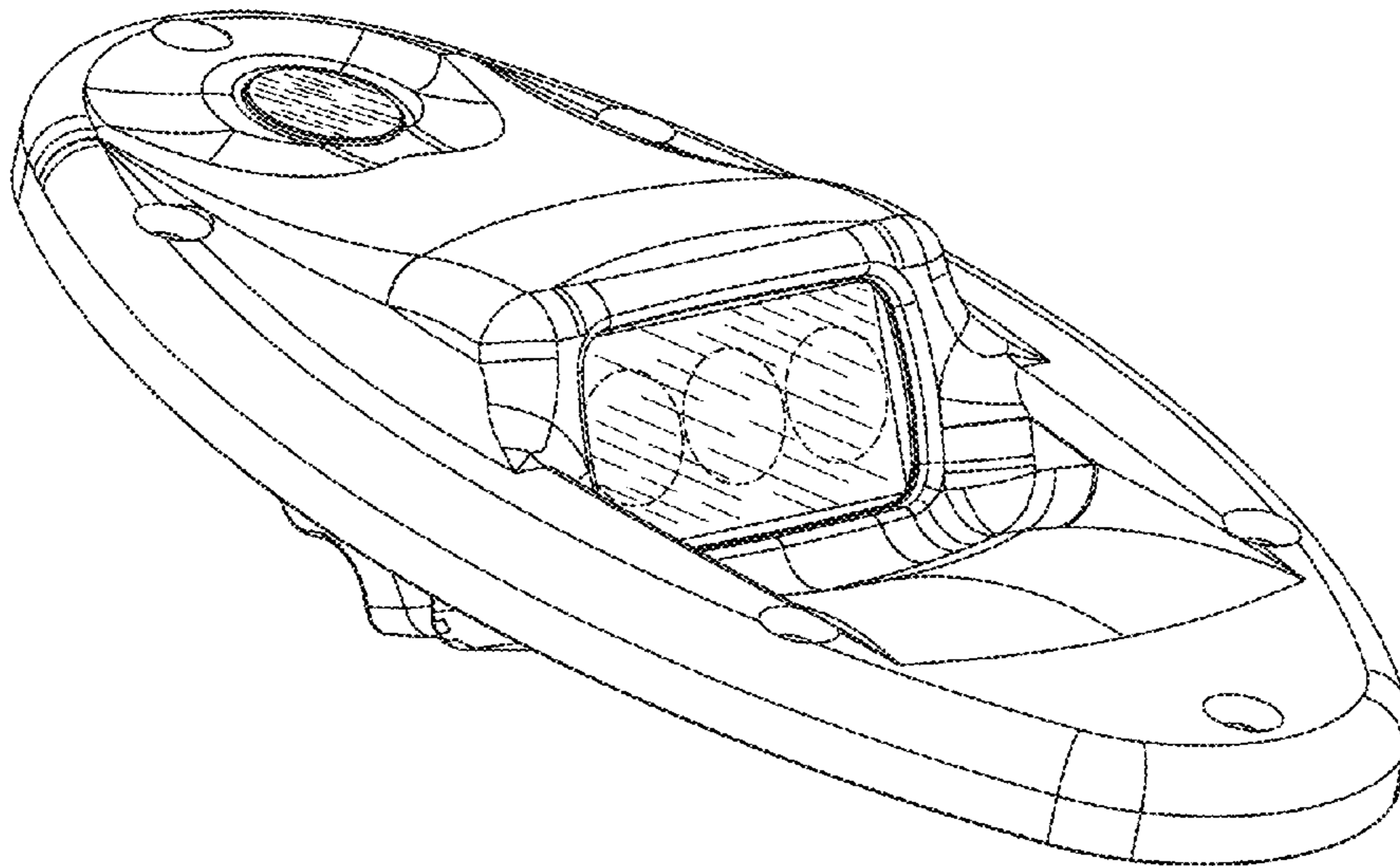
(57) **CLAIM**

The ornamental design for a light fixture, as shown and described.

DESCRIPTION

FIG. 1 is a front and left side top perspective view of my new design for a light fixture;
FIG. 2 is a front and right side top perspective view thereof;
FIG. 3 is a back and right side top perspective view thereof;
FIG. 4 is a back and left side top perspective view thereof;
FIG. 5 is a front and right side bottom perspective view thereof;
FIG. 6 is a front and left side bottom perspective view thereof;
FIG. 7 is a back and right side bottom perspective view thereof;
FIG. 8 is a back and left side bottom perspective view thereof;
FIG. 9 is a front side view thereof;
FIG. 10 is a back side view thereof;
FIG. 11 is a right side view thereof;
FIG. 12 is a left side view thereof;
FIG. 13 is a top side view thereof; and,
FIG. 14 is a bottom side view thereof.
The broken lines in the drawings illustrate portions of the light fixture which forms no part of the claimed design.

1 Claim, 10 Drawing Sheets



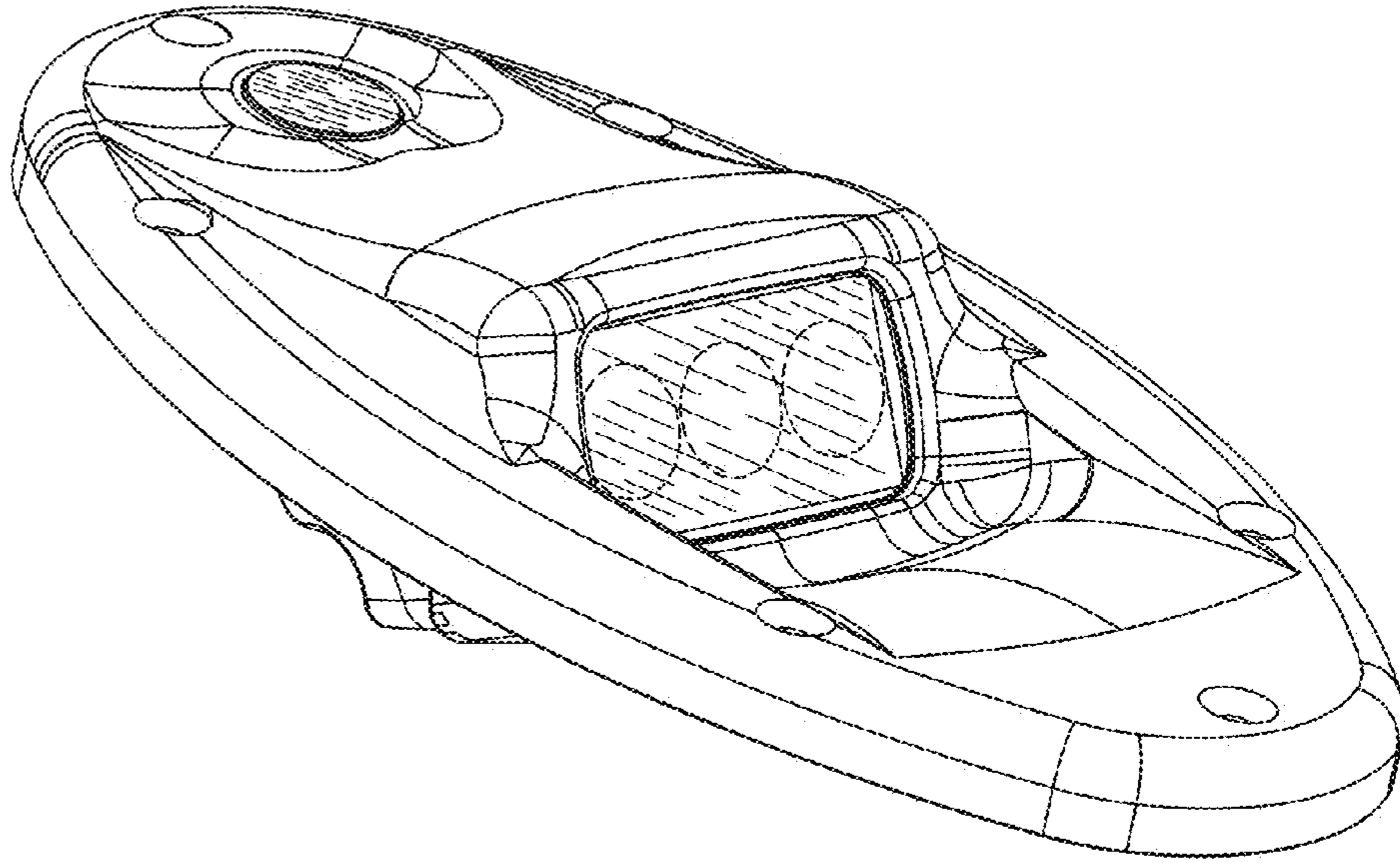


FIG. 1

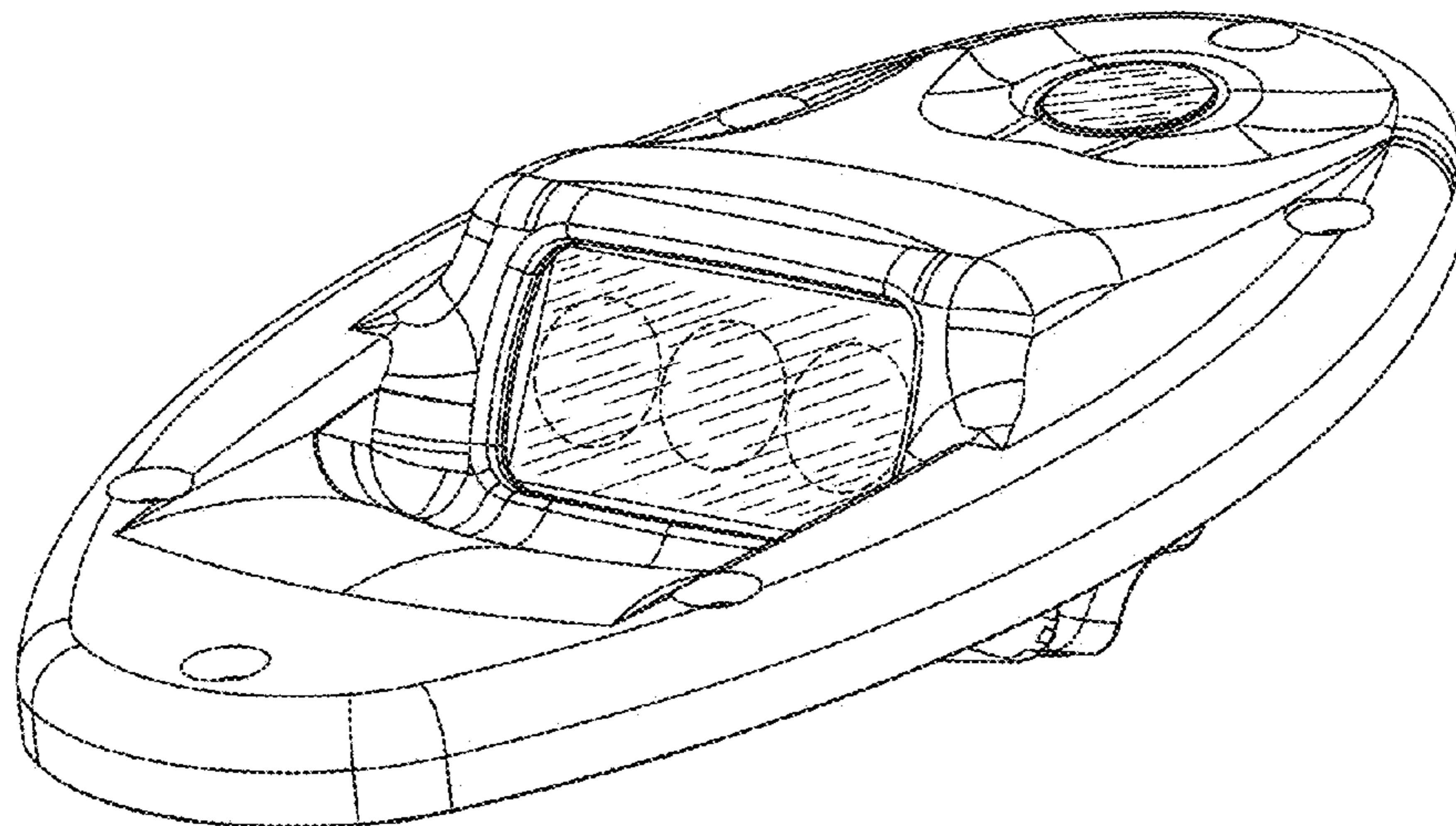


FIG. 2

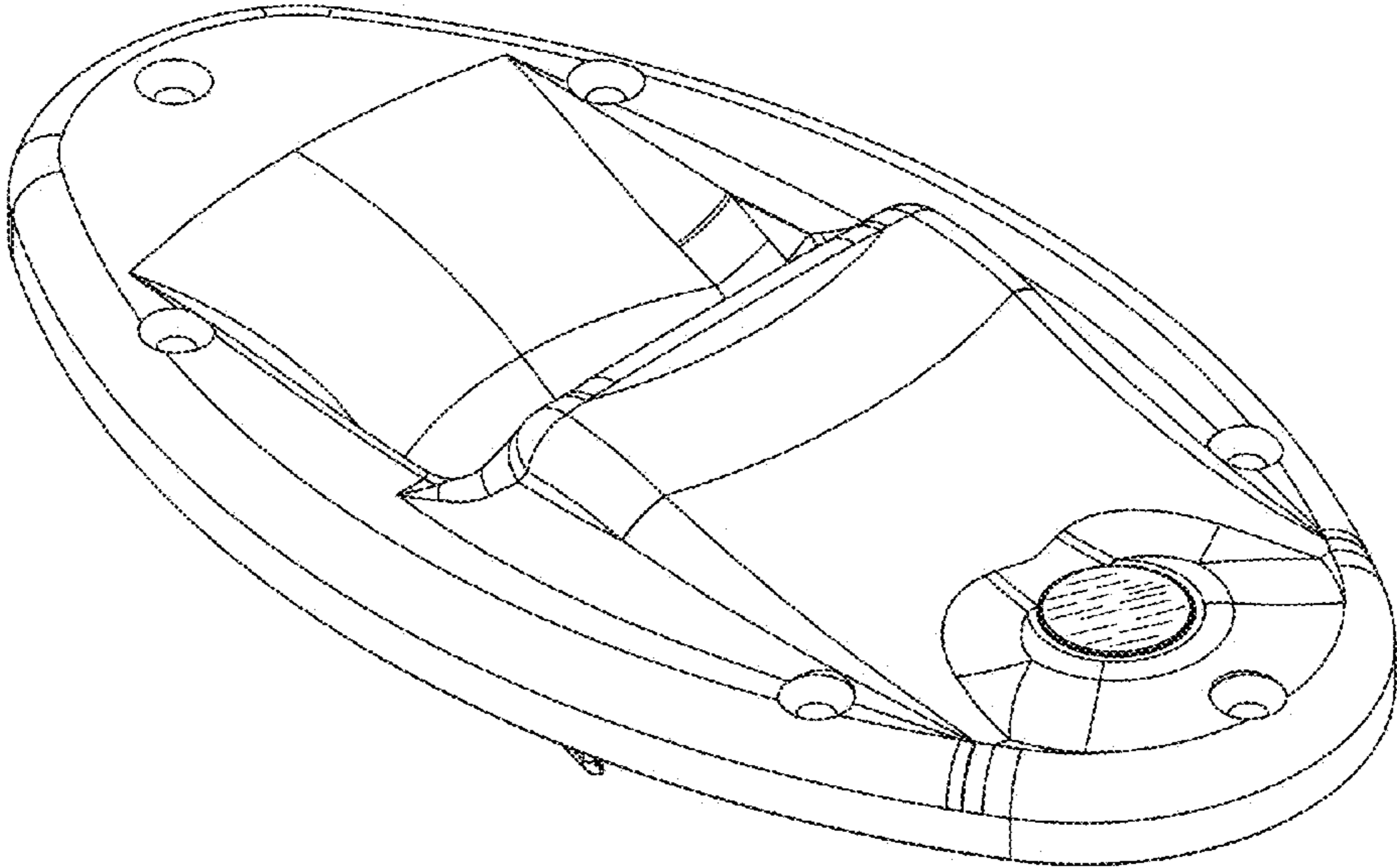


FIG. 3

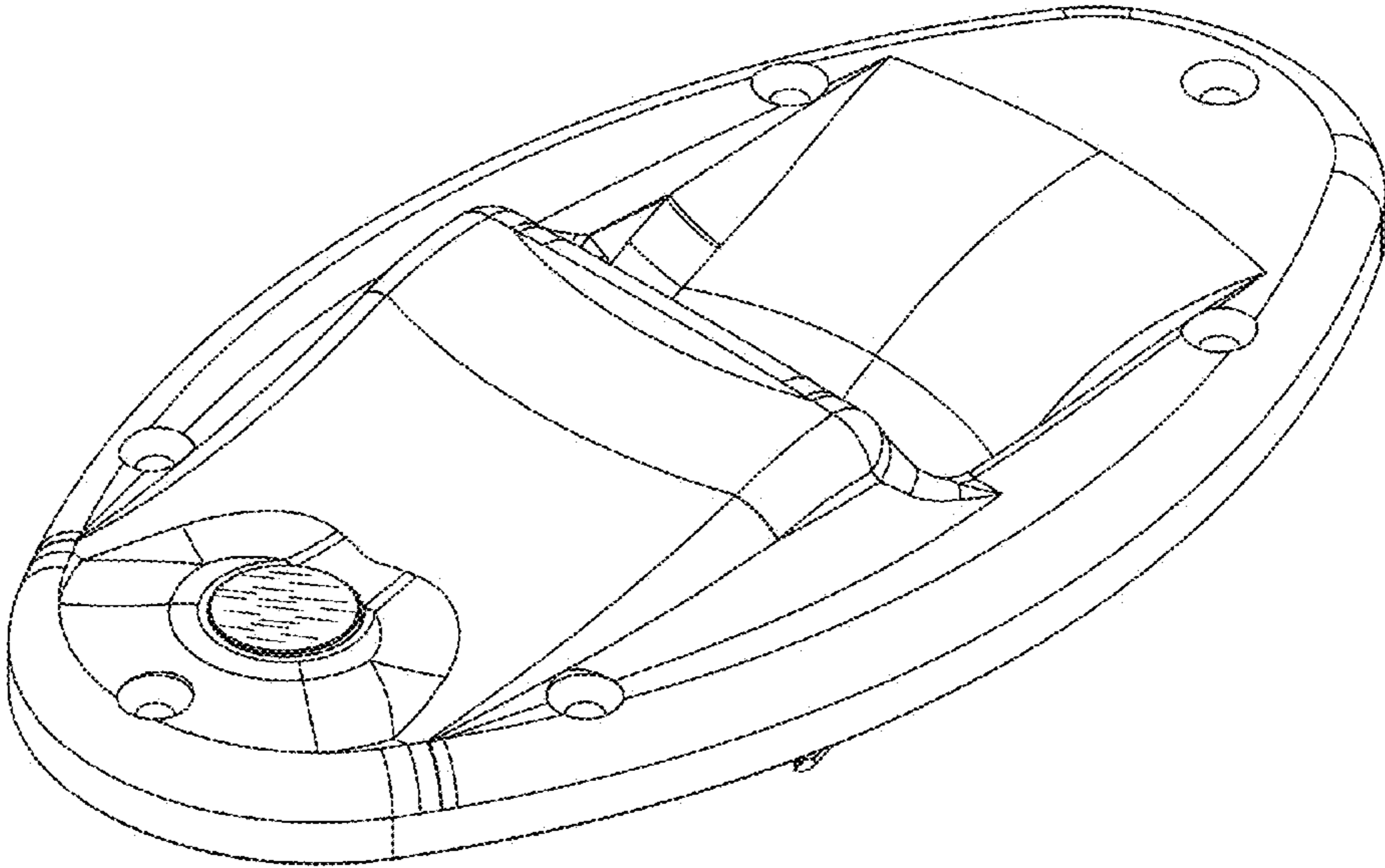


FIG. 4

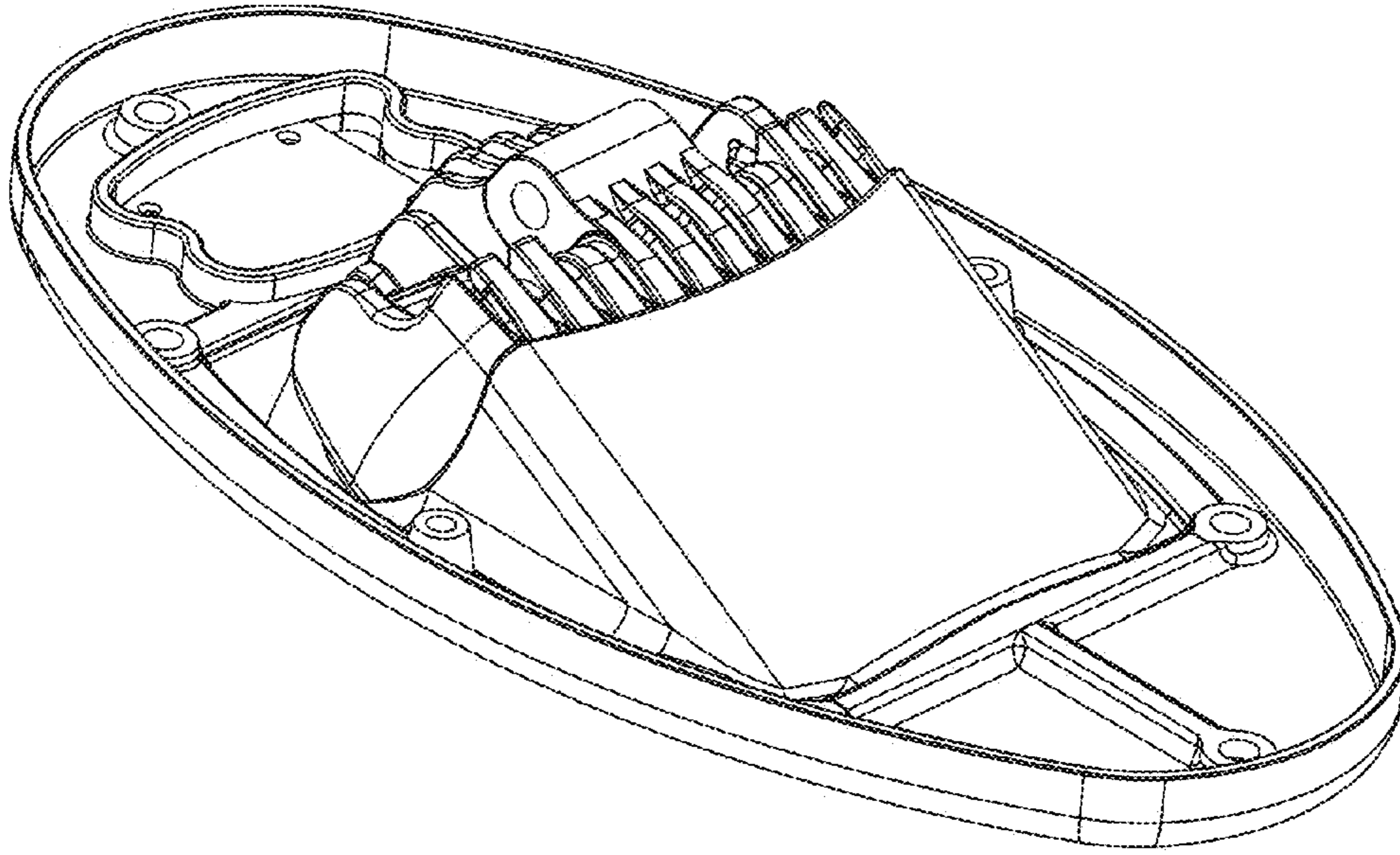


FIG. 5

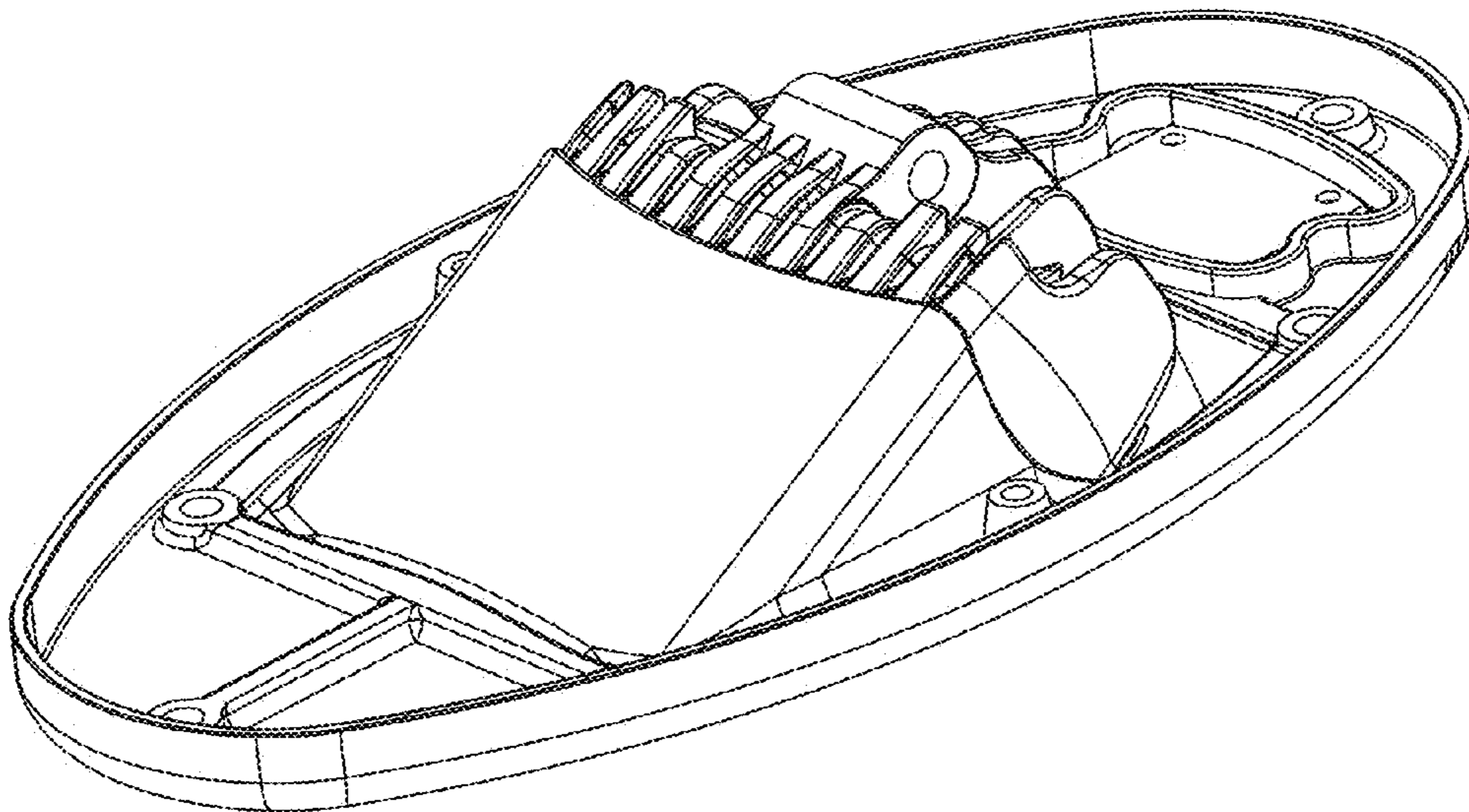


FIG. 6

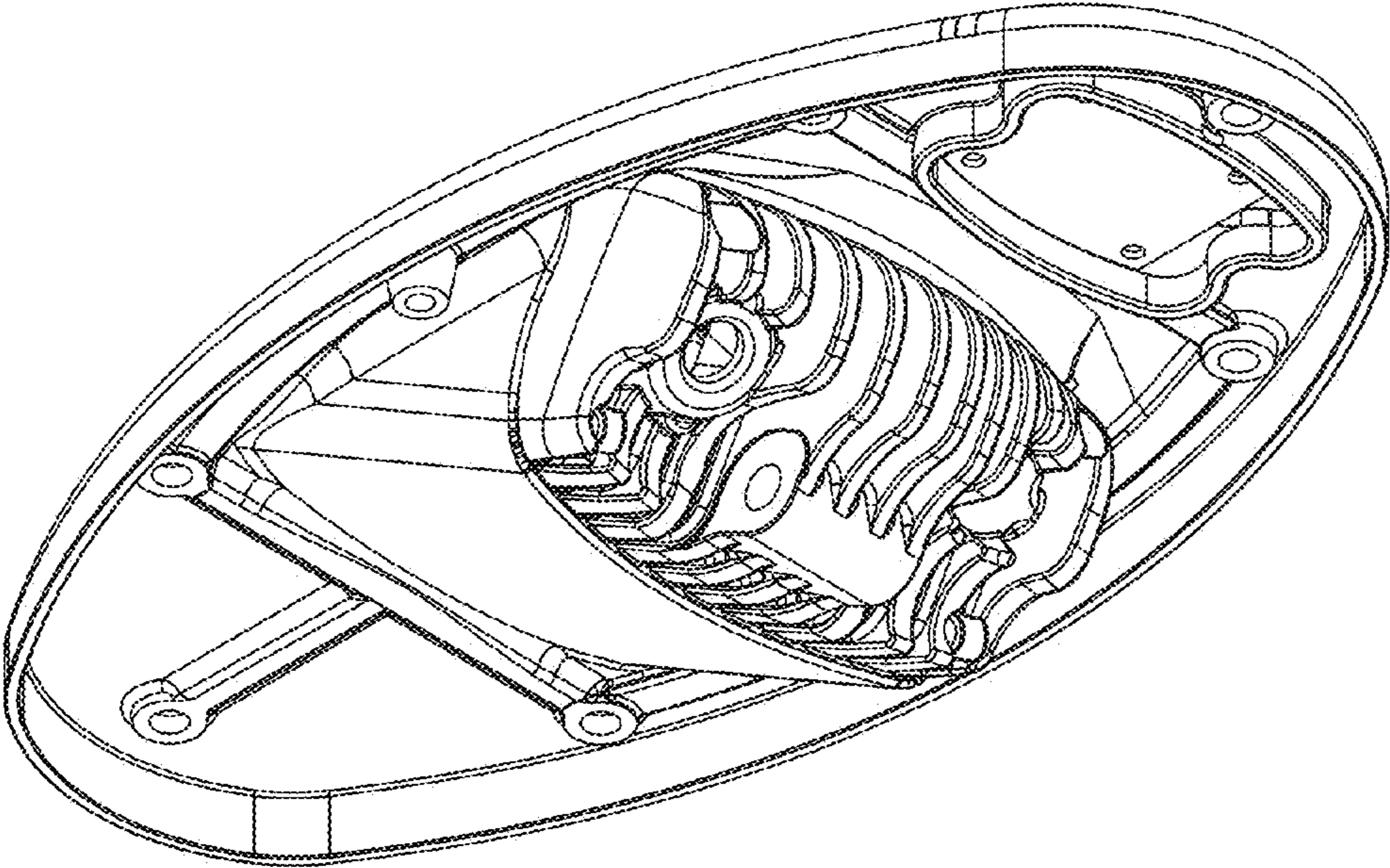


FIG. 7

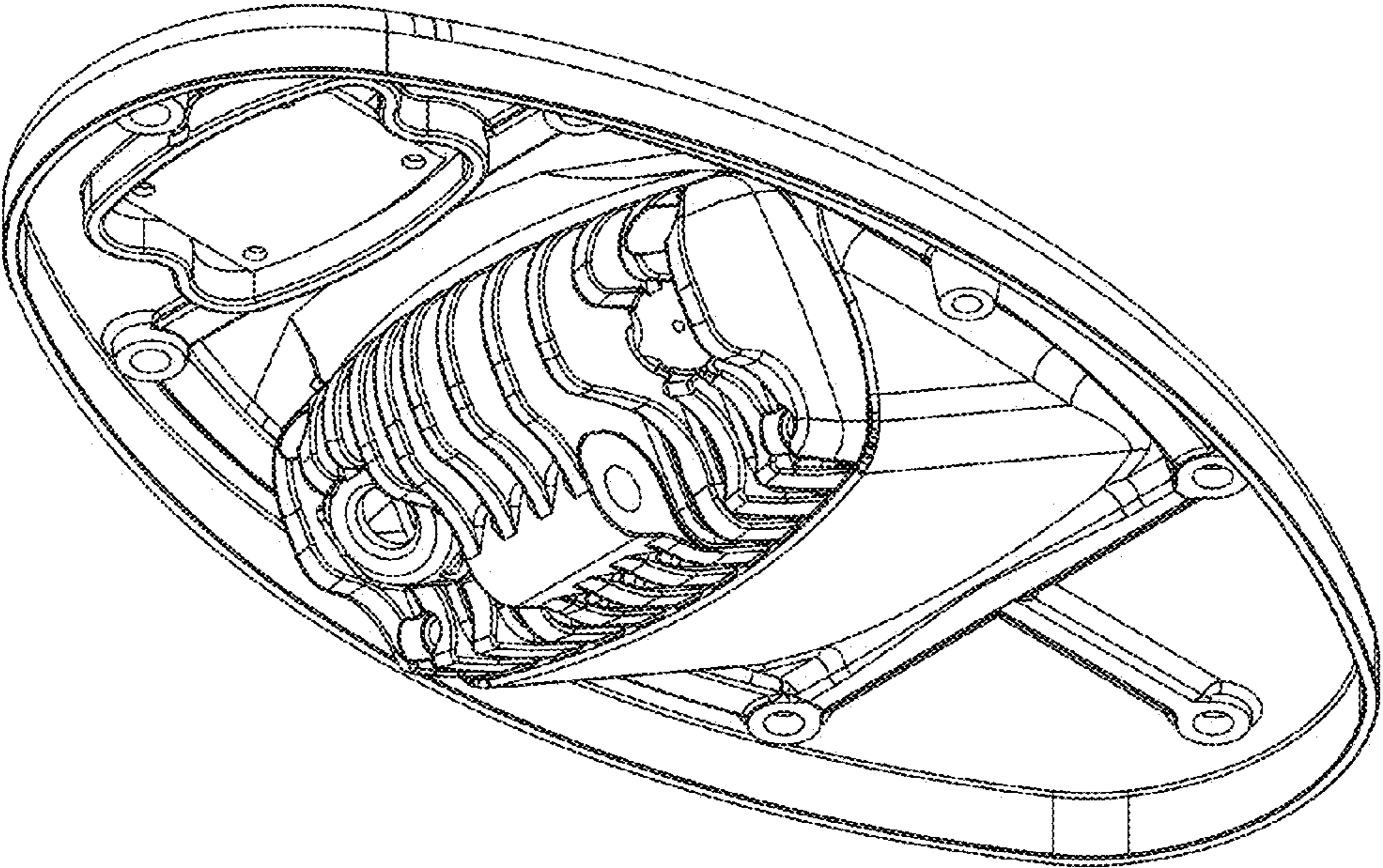


FIG. 8

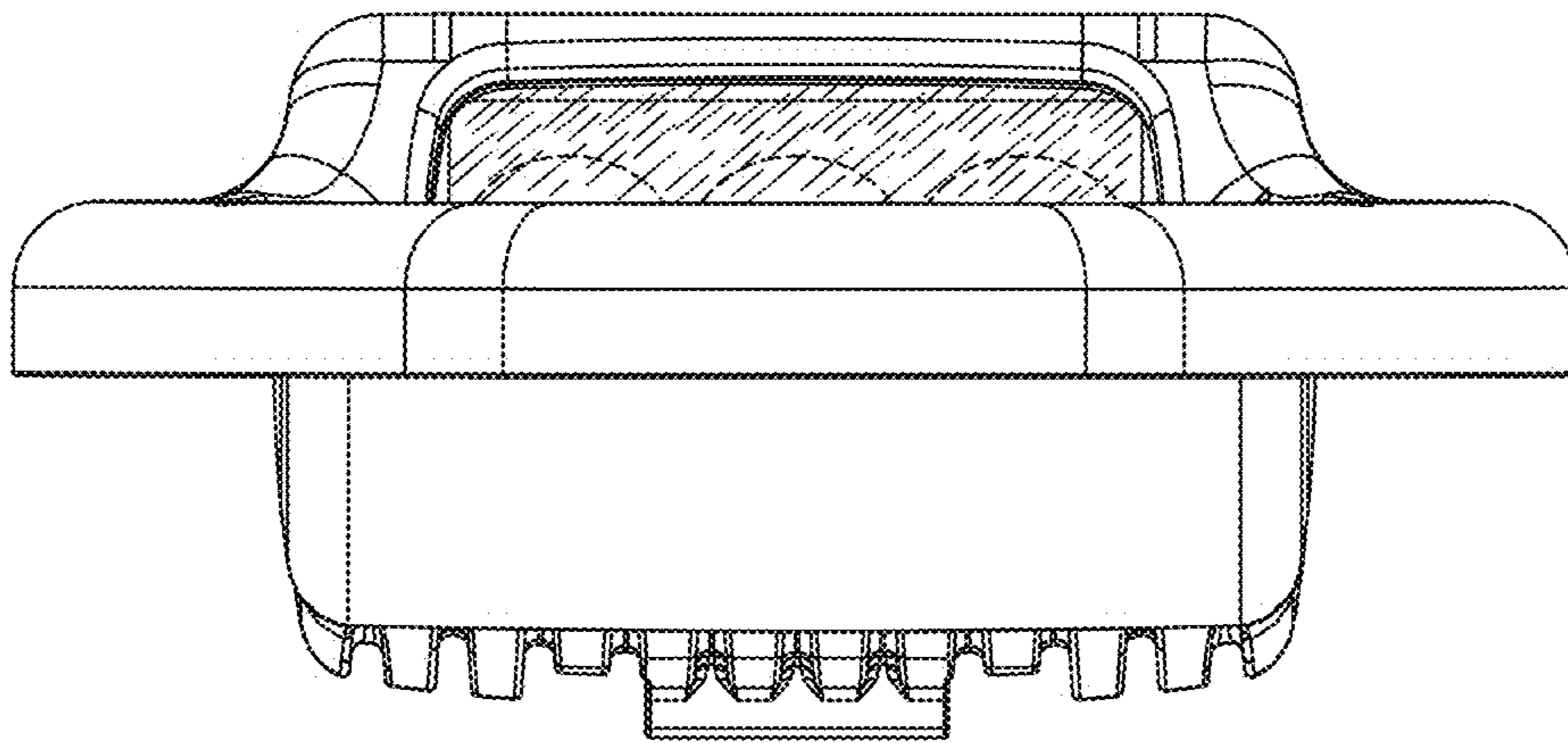


FIG. 9

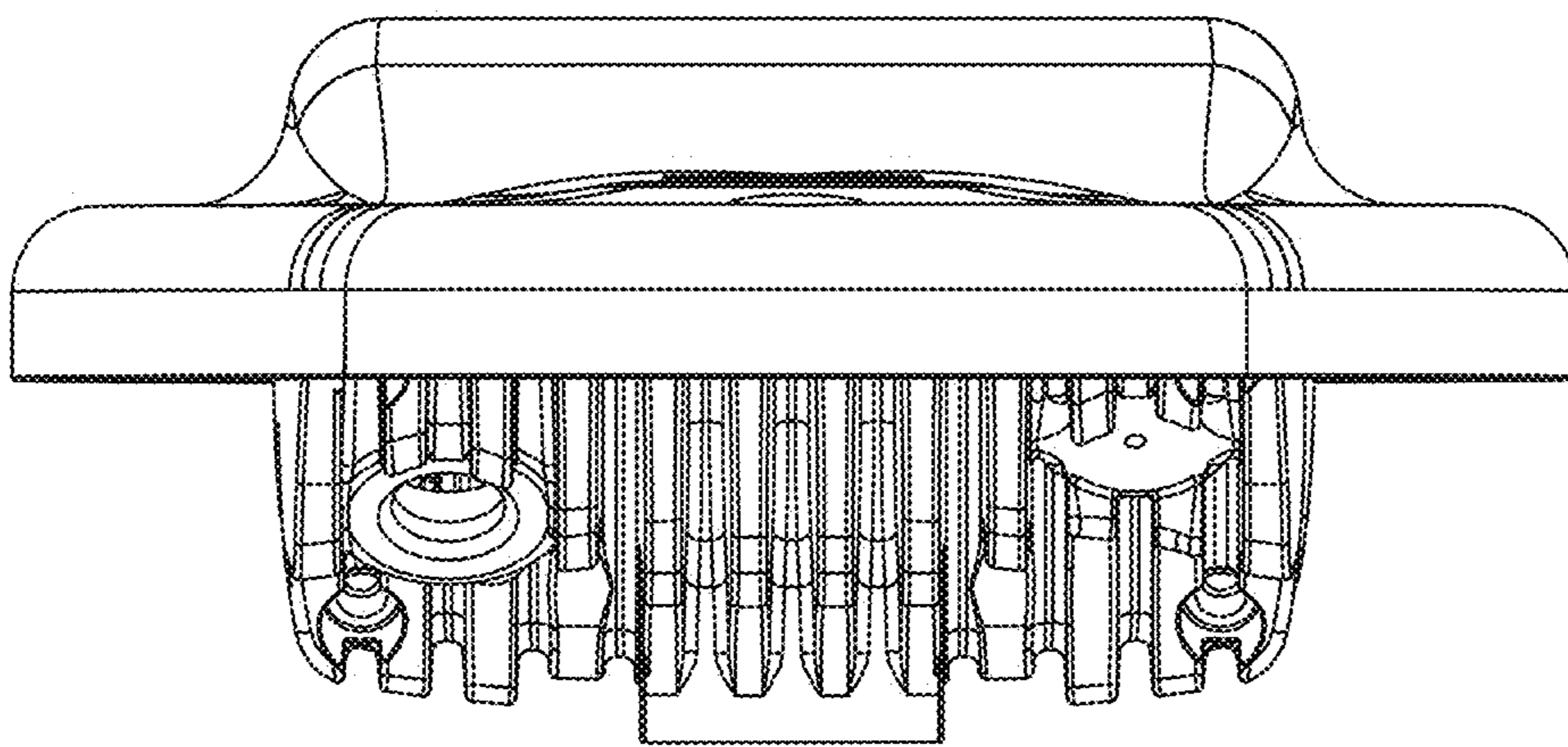


FIG. 10

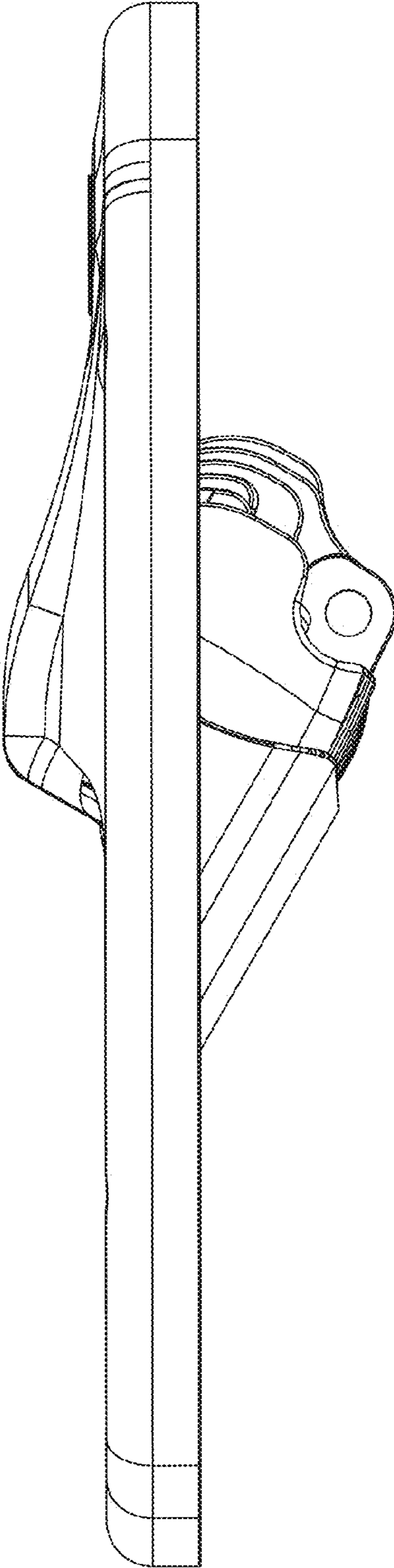


FIG. 11

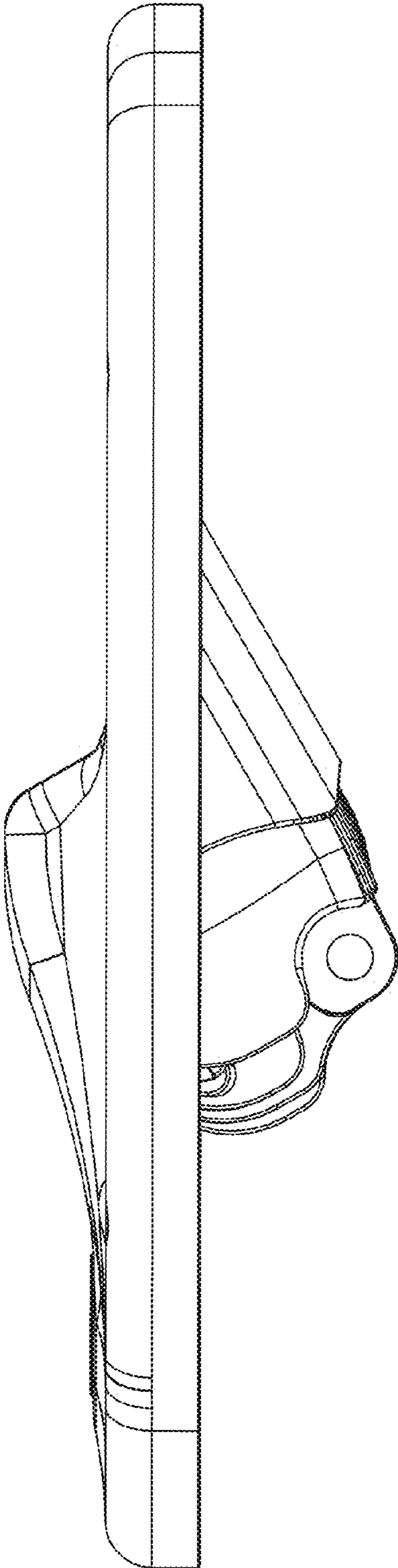


FIG. 12

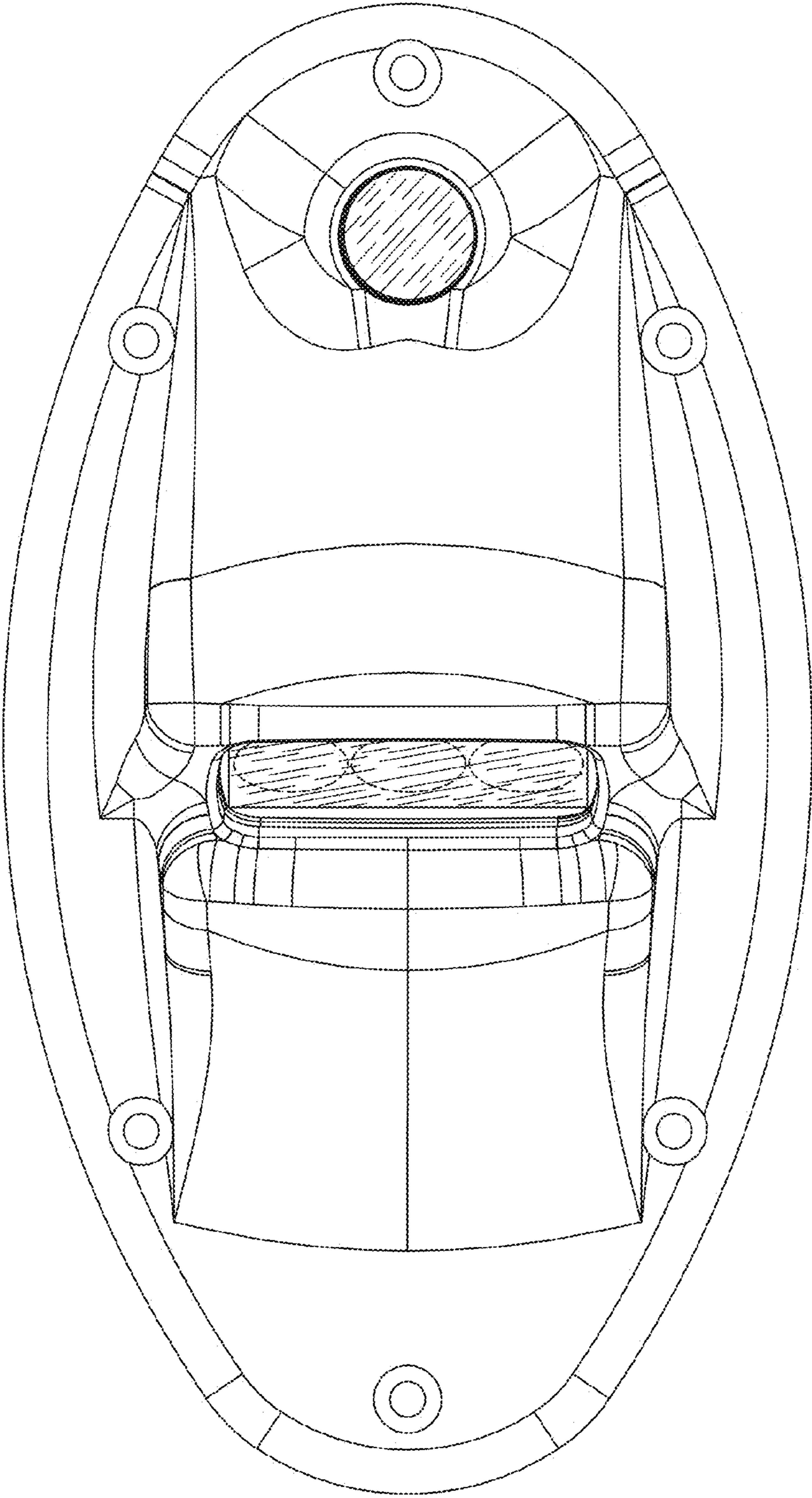


FIG. 13

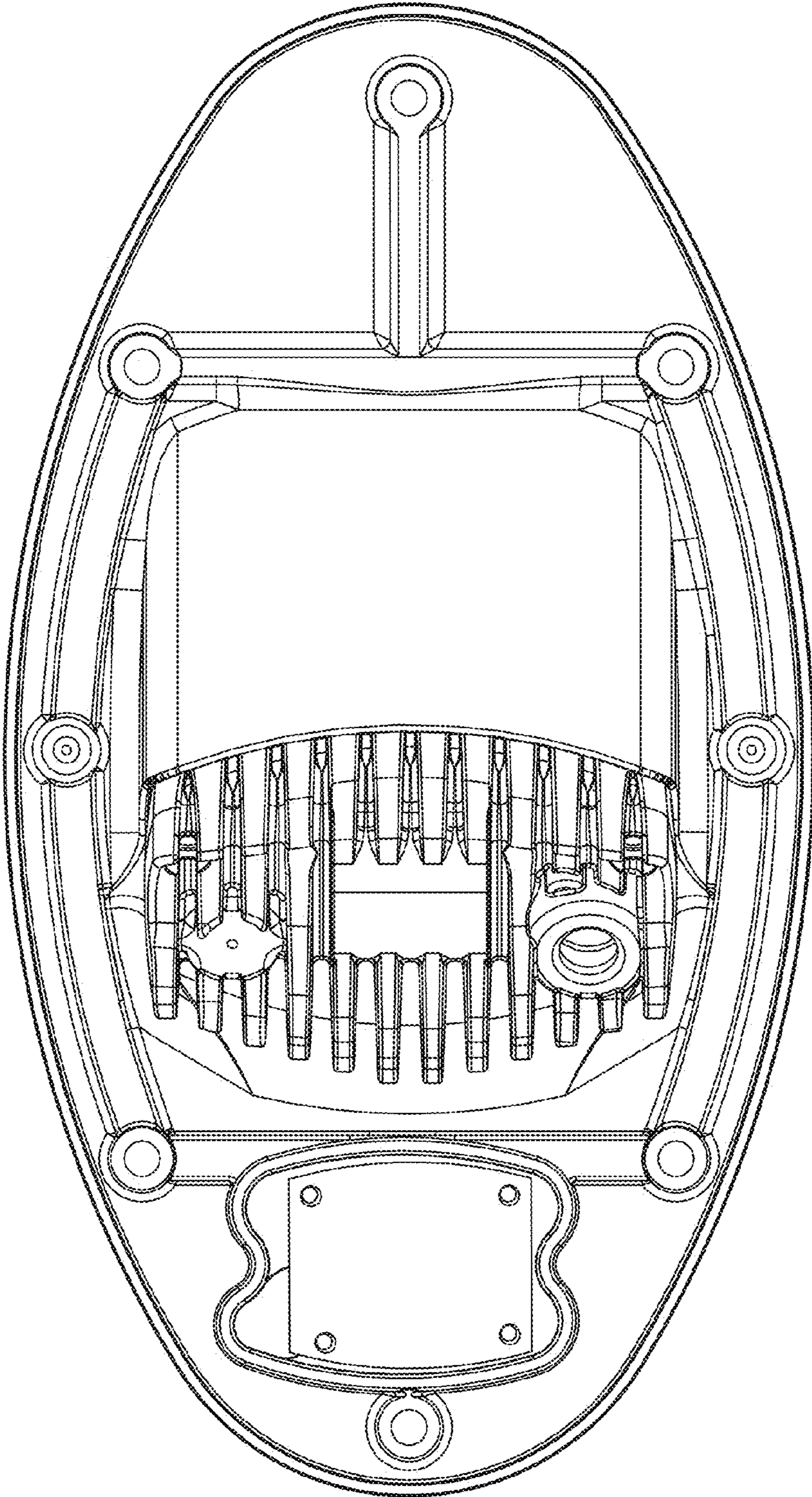


FIG. 14