



US00D758621S

(12) **United States Design Patent**  
**Chang et al.**

(10) **Patent No.:** **US D758,621 S**

(45) **Date of Patent:** **\*\* Jun. 7, 2016**

(54) **LIGHT UNIT**

(71) Applicants: **Fu Tai Hua Industry (Shenzhen) Co., Ltd.**, Shenzhen (CN); **HON HAI PRECISION INDUSTRY CO., LTD.**, New Taipei (TW)

(72) Inventors: **Chih-Kuang Chang**, New Taipei (TW); **Li Jiang**, Shenzhen (CN); **Dong-Hai Li**, Shenzhen (CN); **Jian-Hua Liu**, Shenzhen (CN); **Dong-Sheng Liu**, Shenzhen (CN)

(73) Assignees: **Fu Tai Hua Industry (Shenzhen) Co., Ltd.**, Shenzhen (CN); **HON HAI PRECISION INDUSTRY CO., LTD.**, New Taipei (TW)

(\*\*) Term: **14 Years**

(21) Appl. No.: **29/509,847**

(22) Filed: **Nov. 21, 2014**

(30) **Foreign Application Priority Data**

Oct. 15, 2014 (CN) ..... 2014 3 0389674

(51) **LOC (10) Cl.** ..... **26-06**

(52) **U.S. Cl.**  
USPC ..... **D26/2**

(58) **Field of Classification Search**  
USPC ..... D26/1-4; 313/313, 315, 316, 317, 318,  
313/493; 315/52, 53, 56, 57, 58  
CPC ..... H01J 5/48; H01J 5/50; H01J 19/54;  
F21V 5/00

See application file for complete search history.

(56) **References Cited**

U.S. PATENT DOCUMENTS

D531,741 S	*	11/2006	Takahashi	.....	D26/2
D538,950 S	*	3/2007	Maxik	.....	D26/2
D538,953 S	*	3/2007	Mama	.....	D26/2
D548,369 S	*	8/2007	Bembridge	.....	D26/2
D549,360 S	*	8/2007	An	.....	D26/2
D550,864 S	*	9/2007	Hernandez, Jr.	.....	D26/2
D553,267 S	*	10/2007	Yuen	.....	D26/2
D602,614 S	*	10/2009	Takahashi	.....	D26/2
D628,320 S	*	11/2010	Yamamoto	.....	D26/2

\* cited by examiner

*Primary Examiner* — Marcus Jackson

(74) *Attorney, Agent, or Firm* — Novak Druce Connolly Bove + Quigg LLP

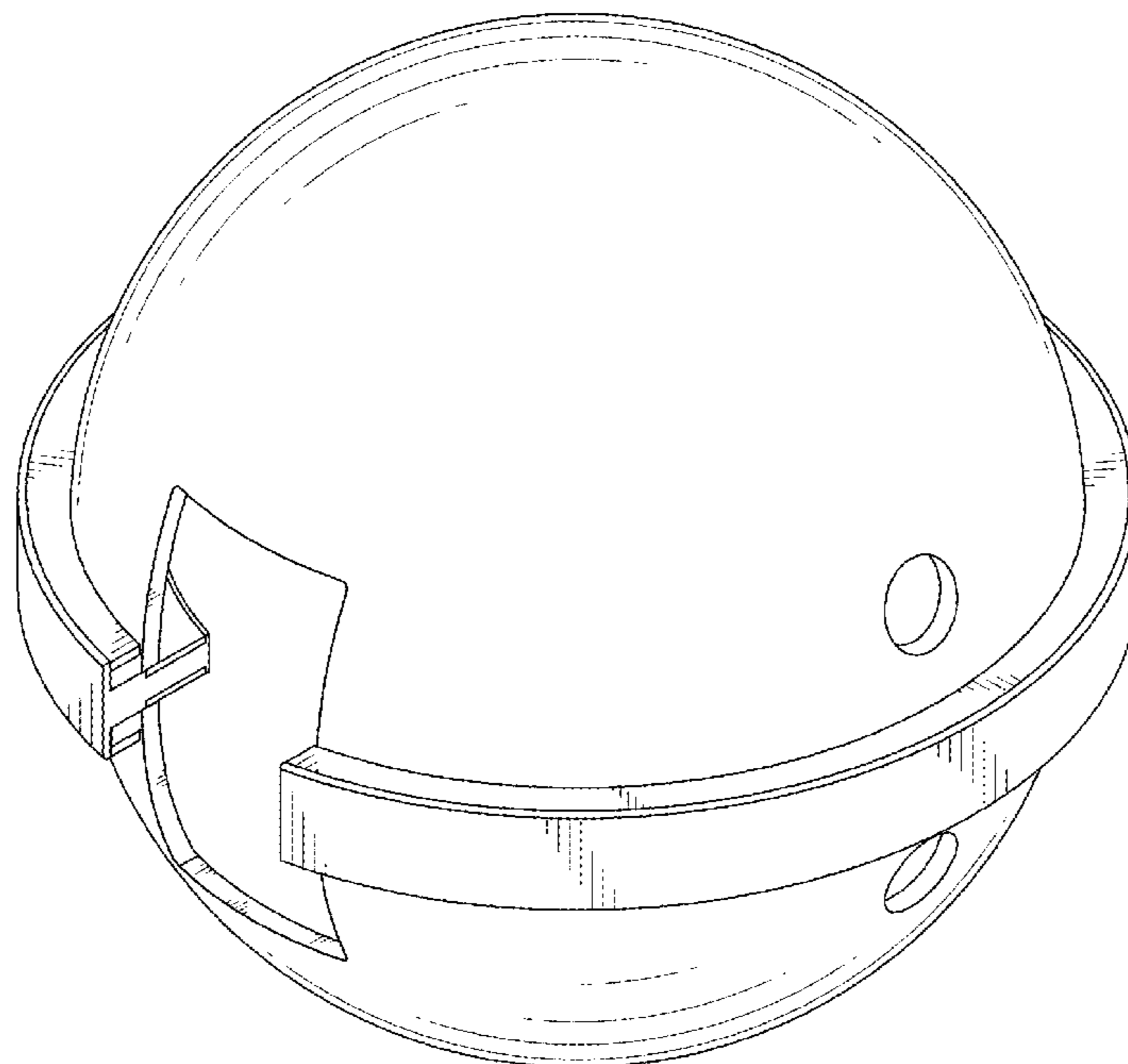
(57) **CLAIM**

The ornamental design for a light unit, as shown and described.

**DESCRIPTION**

FIG. 1 is a perspective view of a light unit showing our new design;  
FIG. 2 is a front elevational view thereof;  
FIG. 3 is a rear elevational view thereof;  
FIG. 4 is a left side elevational view thereof;  
FIG. 5 is a right side elevational view thereof;  
FIG. 6 is a top plan view thereof; and,  
FIG. 7 is a bottom plan view thereof.

**1 Claim, 7 Drawing Sheets**



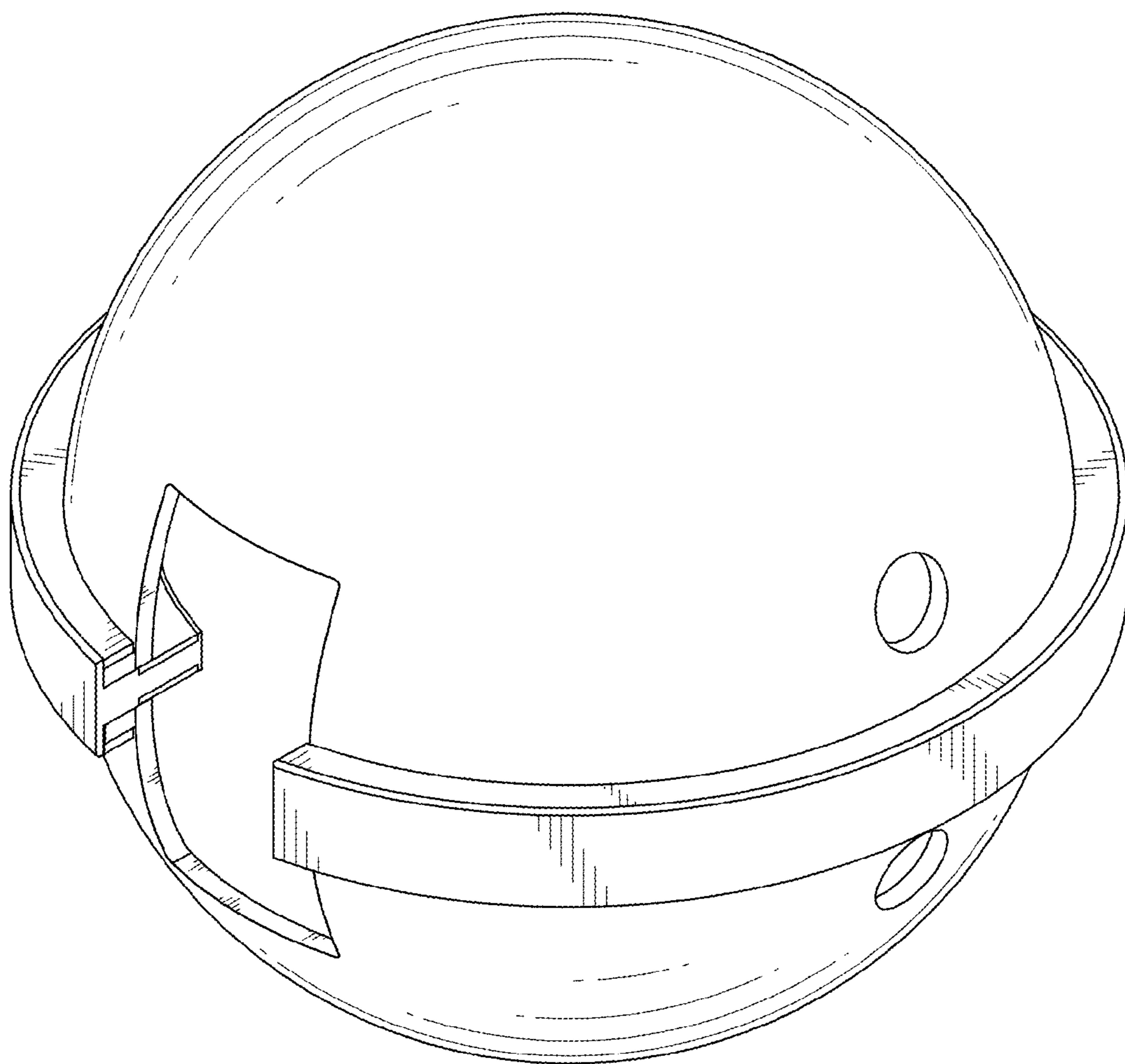


FIG. 1

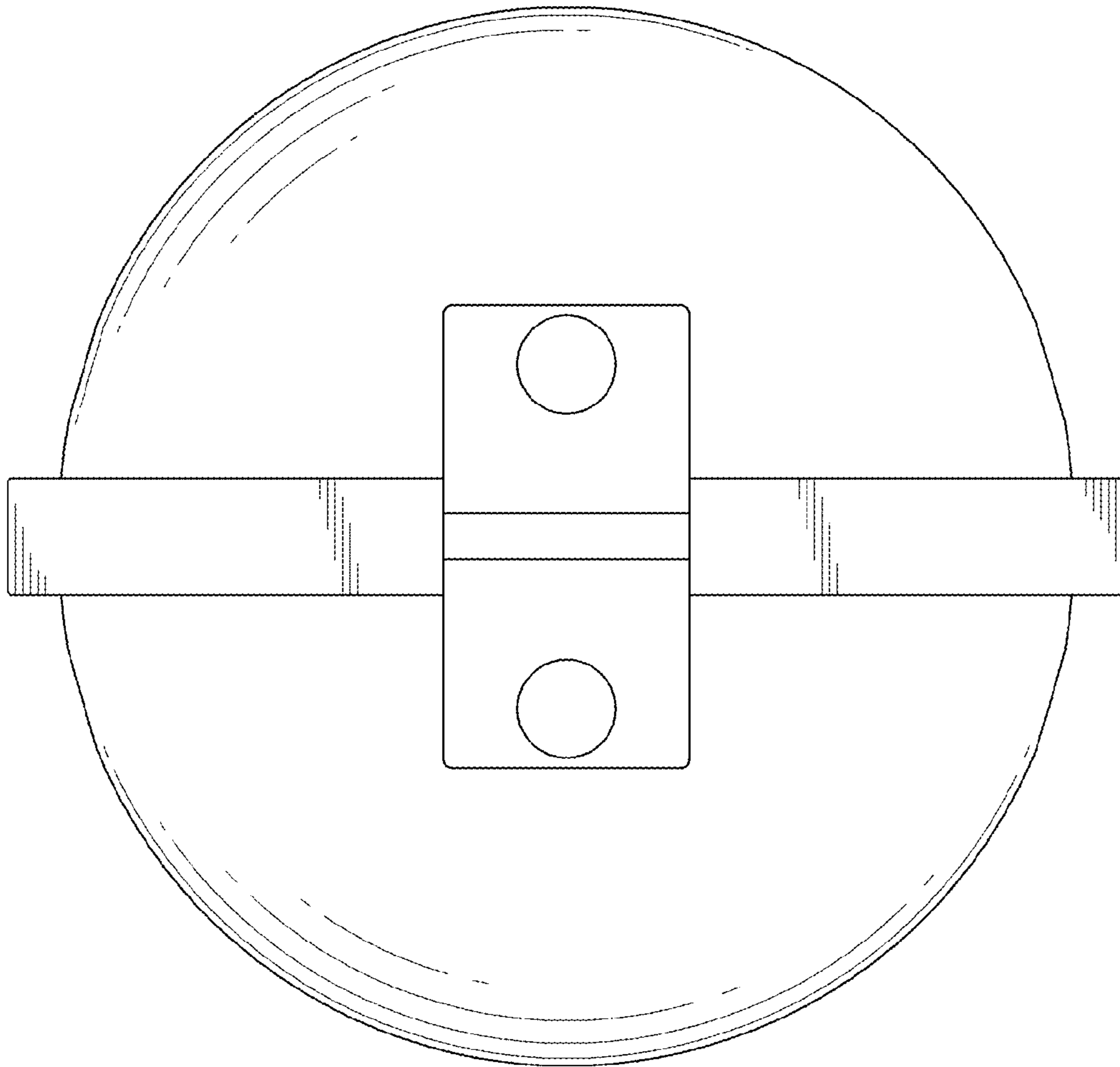


FIG. 2

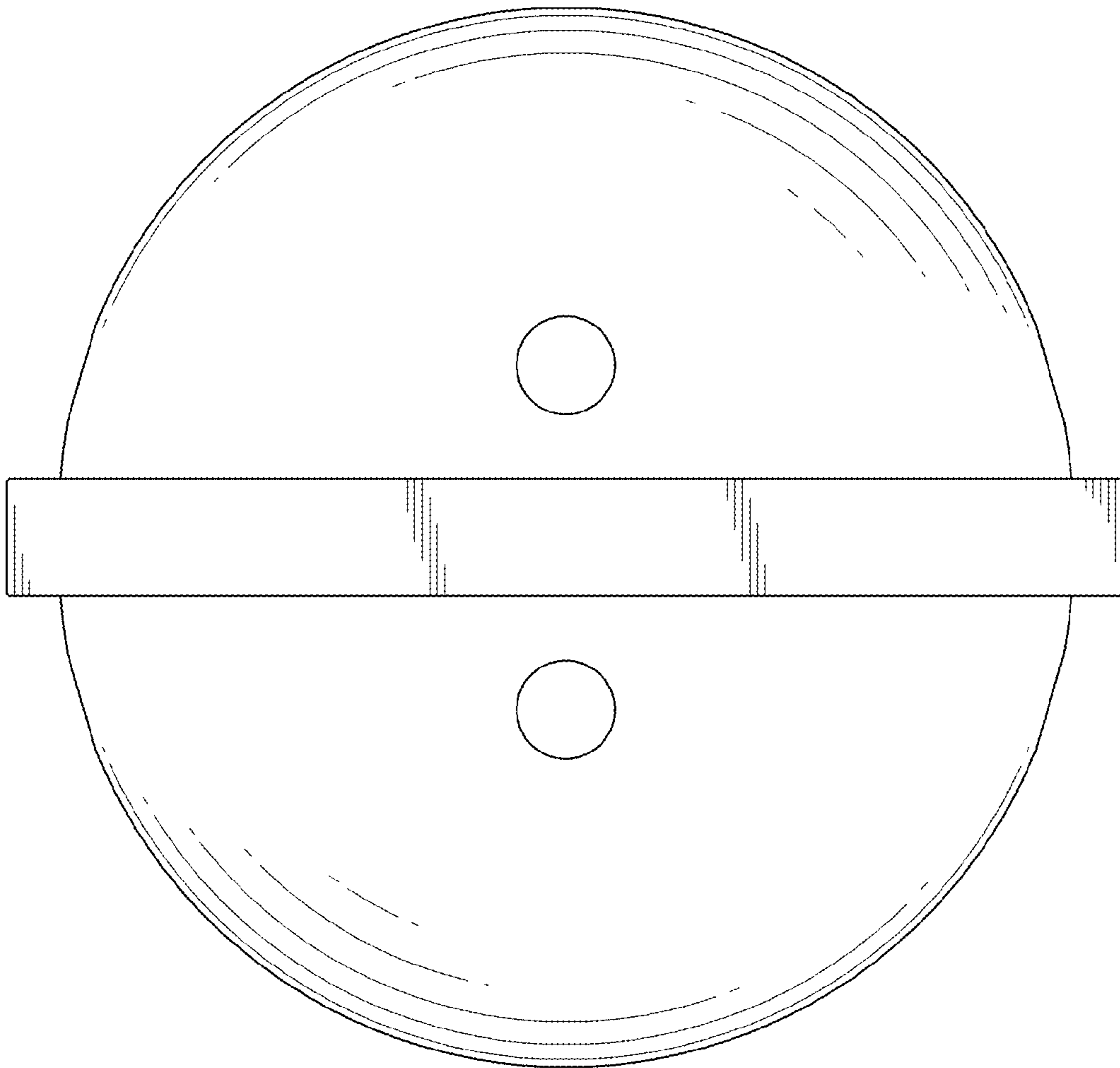


FIG. 3

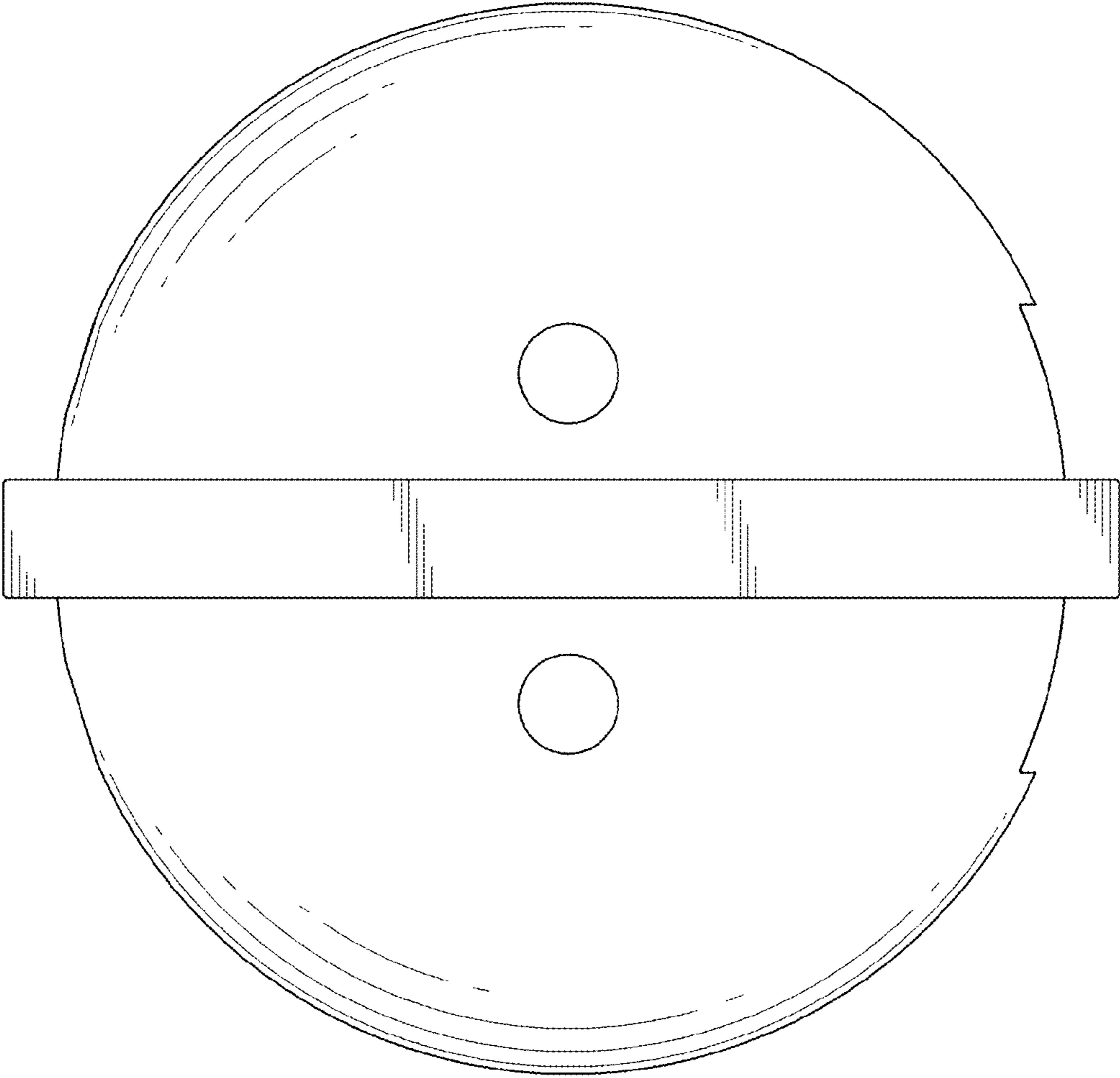


FIG. 4

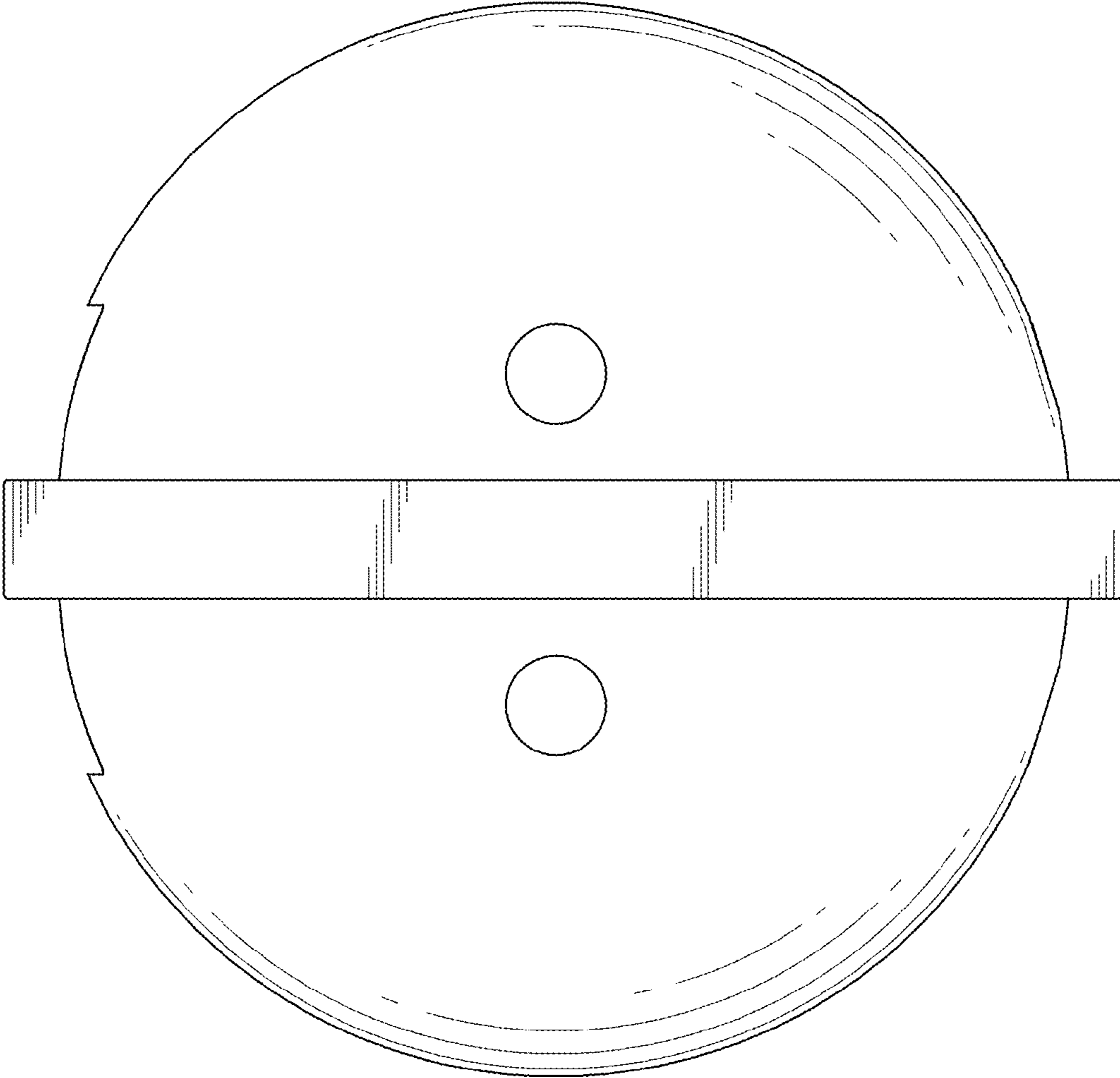


FIG. 5

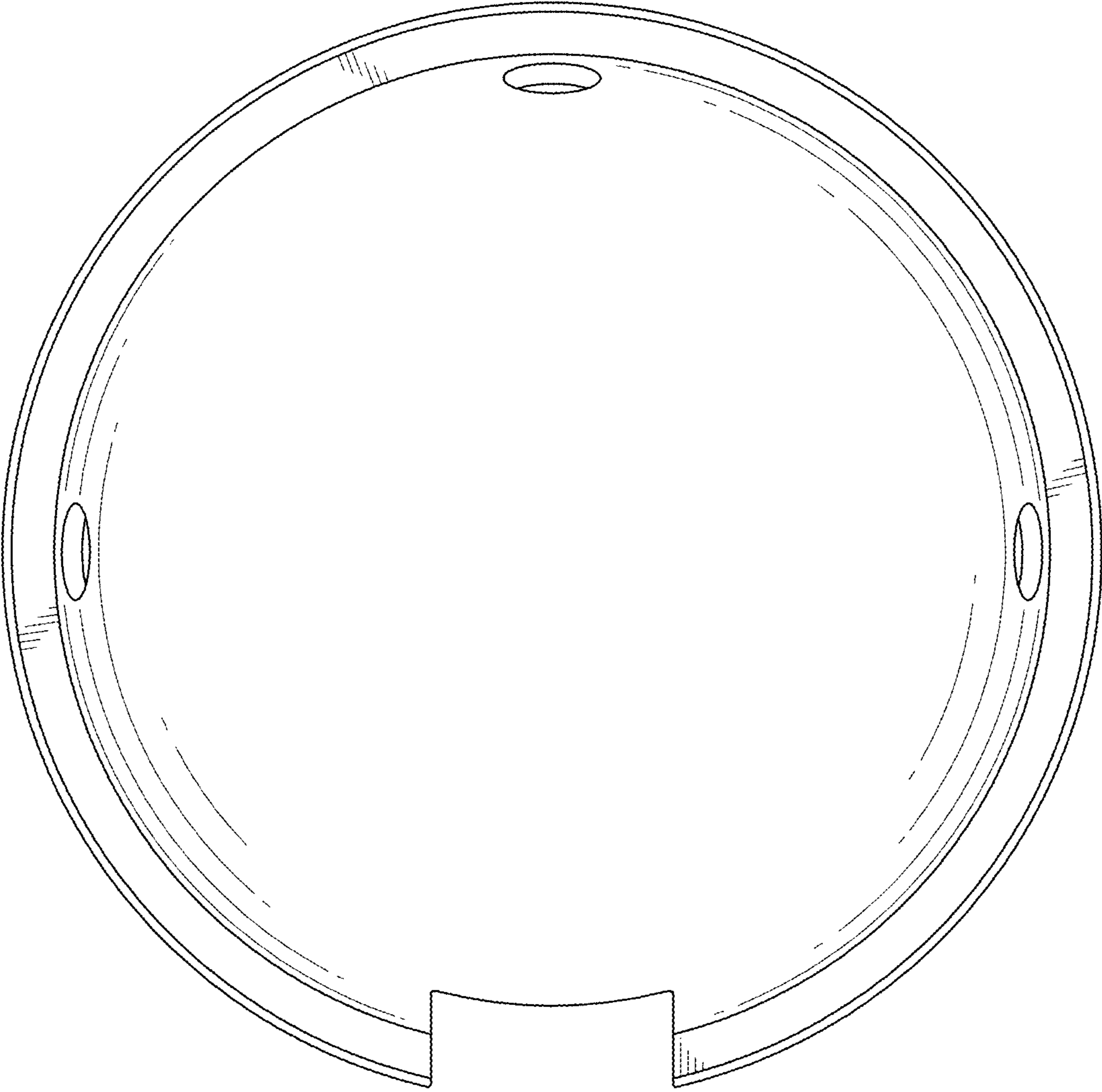


FIG. 6

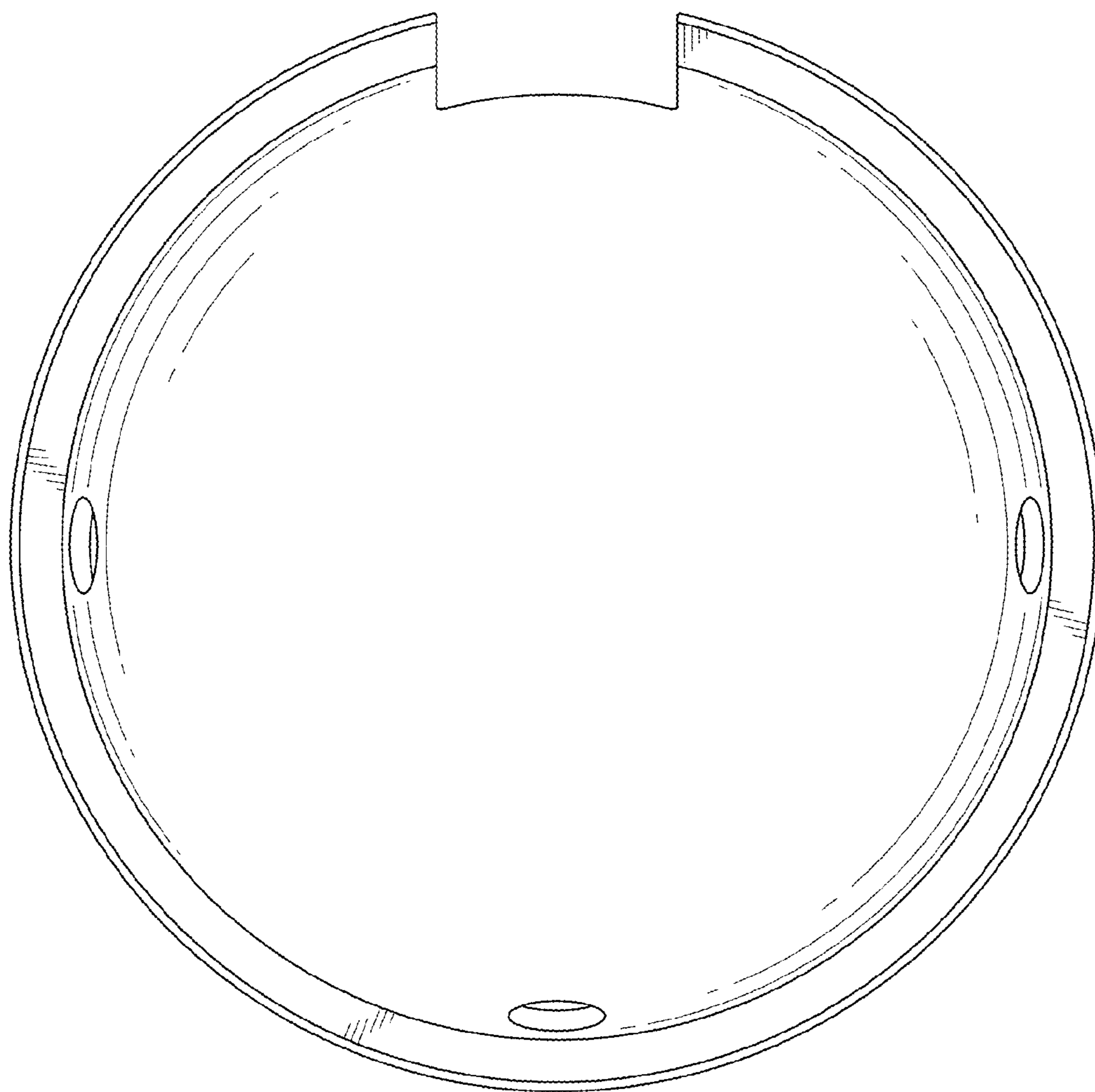


FIG. 7