



US00D758620S

(12) **United States Design Patent**
Chang et al.

(10) **Patent No.:** **US D758,620 S**
(45) **Date of Patent:** **** Jun. 7, 2016**

(54) **BACK LIGHT SOURCE**

(71) Applicant: **HON HAI PRECISION INDUSTRY CO., LTD.**, New Taipei (TW)

(72) Inventors: **Chih-Kuang Chang**, New Taipei (TW);
Li Jiang, Shenzhen (CN); **Dong-Hai Li**,
Shenzhen (CN)

(73) Assignee: **HON HAI PRECISION INDUSTRY CO., LTD.**, New Taipei (TW)

(**) Term: **14 Years**

(21) Appl. No.: **29/509,874**

(22) Filed: **Nov. 21, 2014**

(51) **LOC (10) Cl.** **26-06**

(52) **U.S. Cl.**
USPC **D26/1**

(58) **Field of Classification Search**
USPC D26/1-4; 313/313, 315, 316, 317, 318,
313/493; 315/52, 53, 56, 57, 58
CPC H01J 5/48; H01J 5/50; H01J 19/54;
F21V 5/00

See application file for complete search history.

(56) **References Cited**

U.S. PATENT DOCUMENTS

D565,750 S *	4/2008	Egawa	D26/1
D594,576 S *	6/2009	Chan	D26/1
D621,968 S *	8/2010	Schultz	D26/1
D663,048 S *	7/2012	Chen	D26/1
D679,841 S *	4/2013	Maehata	D26/1

* cited by examiner

Primary Examiner — Marcus Jackson

(74) *Attorney, Agent, or Firm* — Novak Druce Connolly
Bove + Quigg LLP

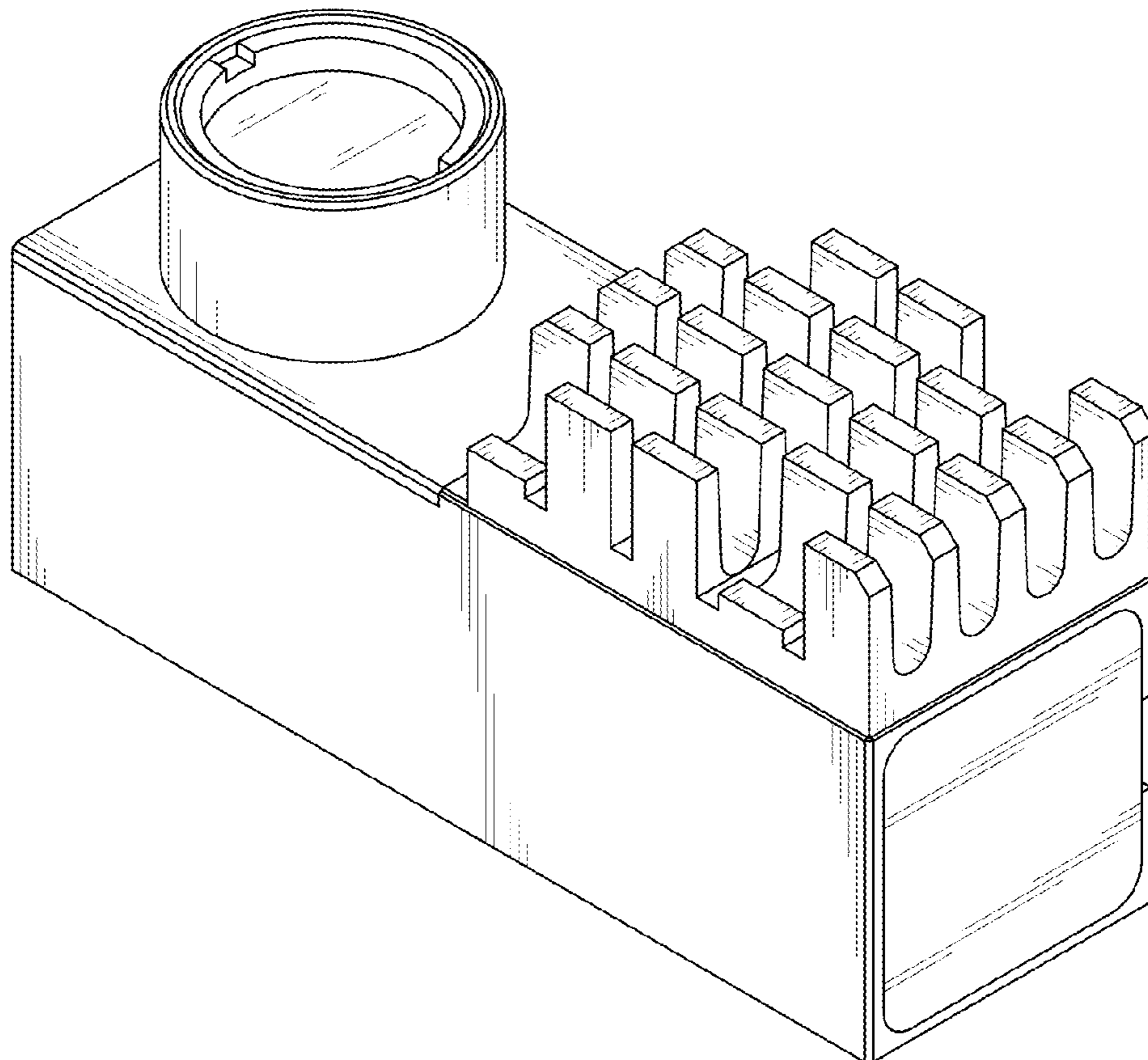
(57) **CLAIM**

The ornamental design for a back light source, as shown and described.

DESCRIPTION

FIG. 1 is a perspective view of a back light source showing our new design;
FIG. 2 is a front elevational view thereof;
FIG. 3 is a rear elevational view thereof;
FIG. 4 is a left side elevational view thereof;
FIG. 5 is a right side elevational view thereof;
FIG. 6 is a top plan view thereof; and,
FIG. 7 is a bottom plan view thereof.

1 Claim, 7 Drawing Sheets



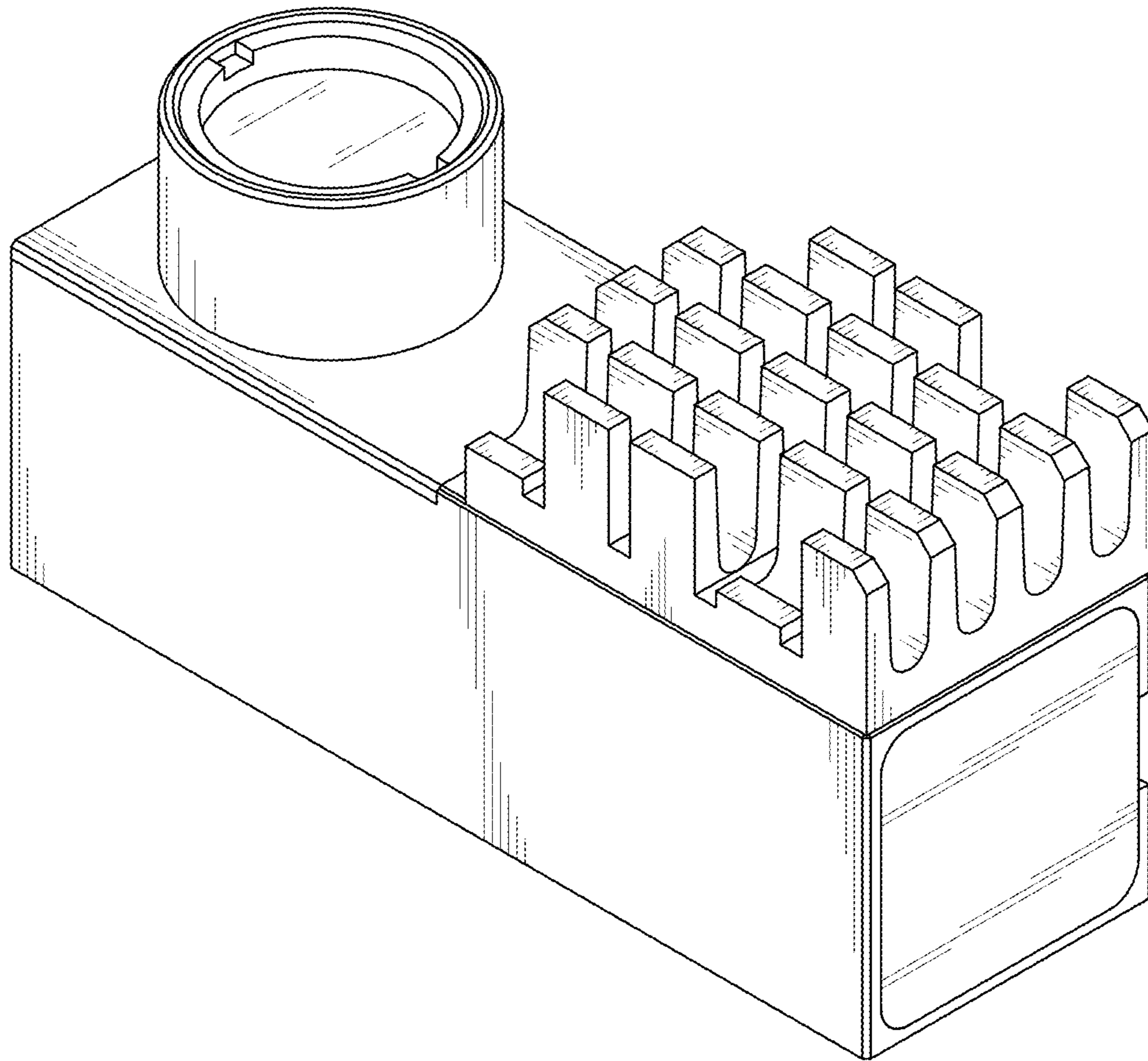


FIG. 1

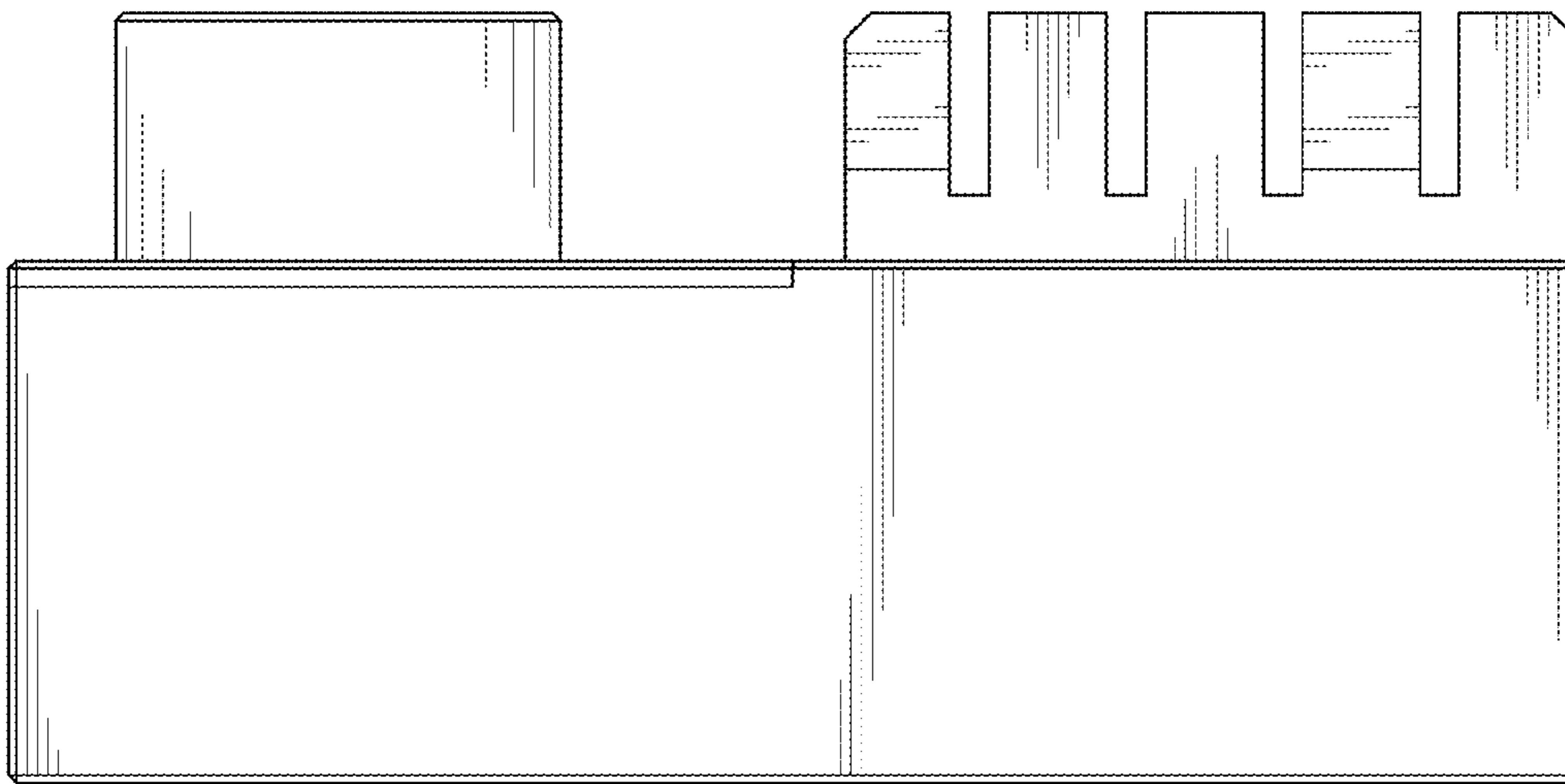


FIG. 2

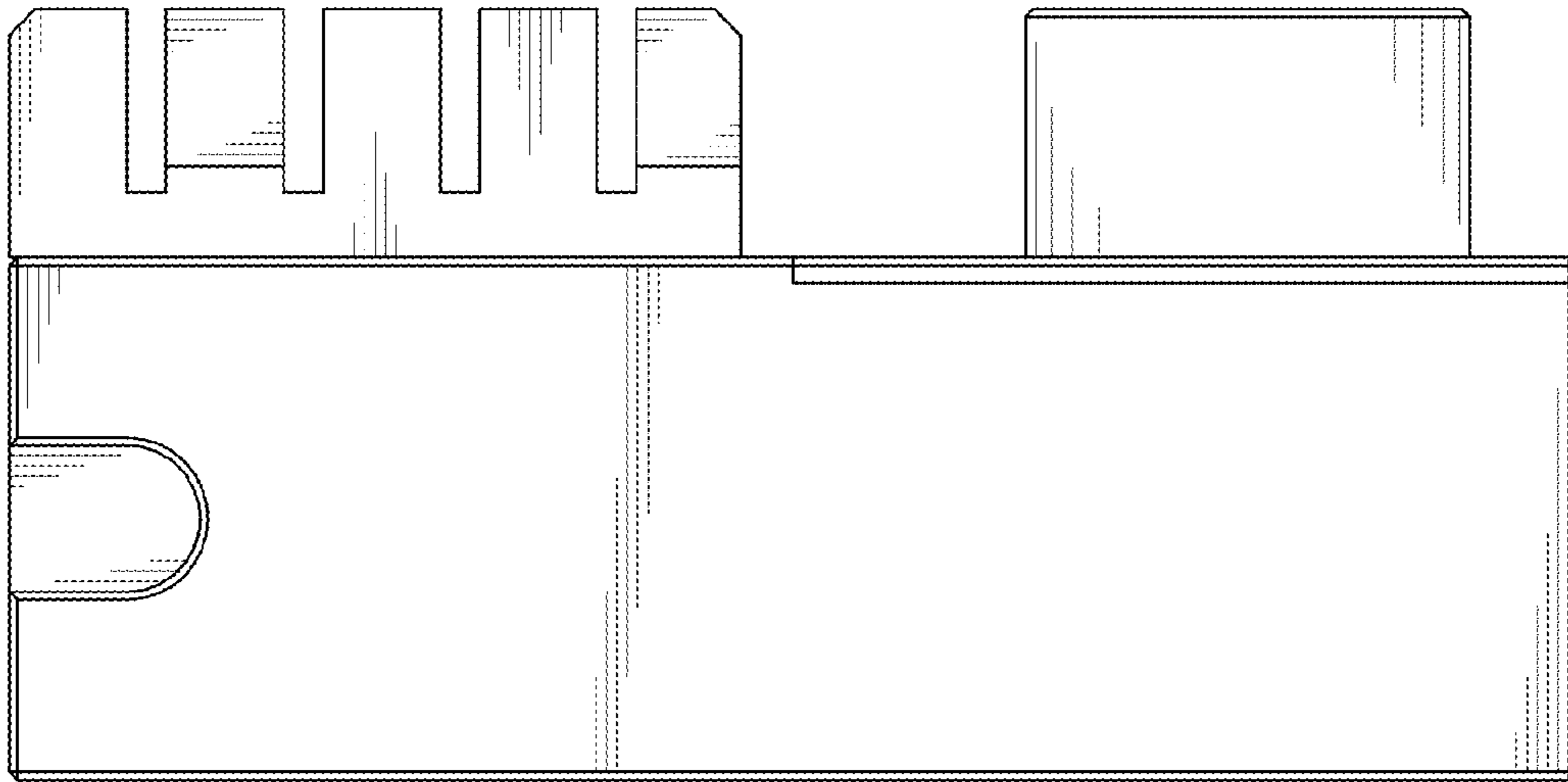


FIG. 3

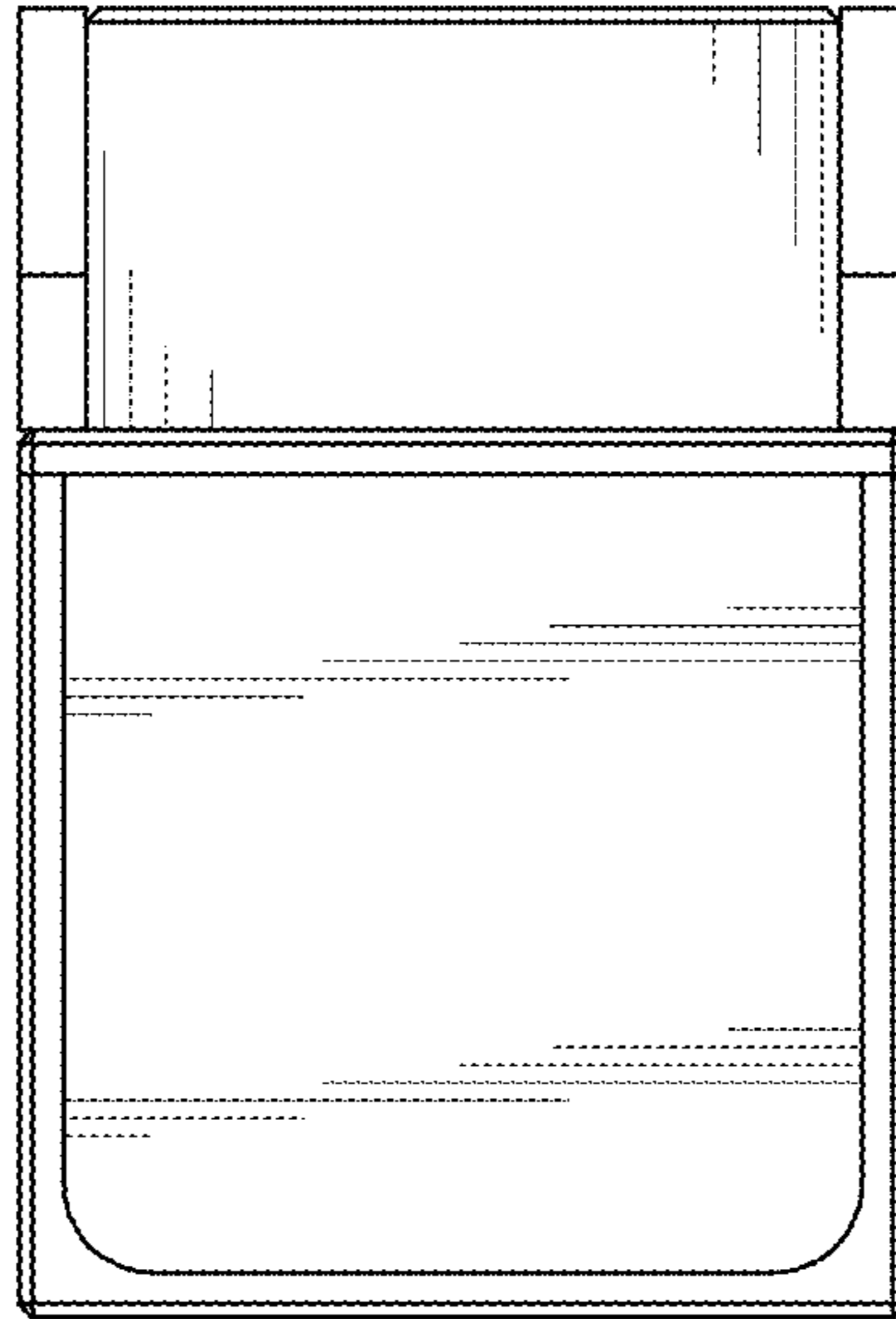


FIG. 4

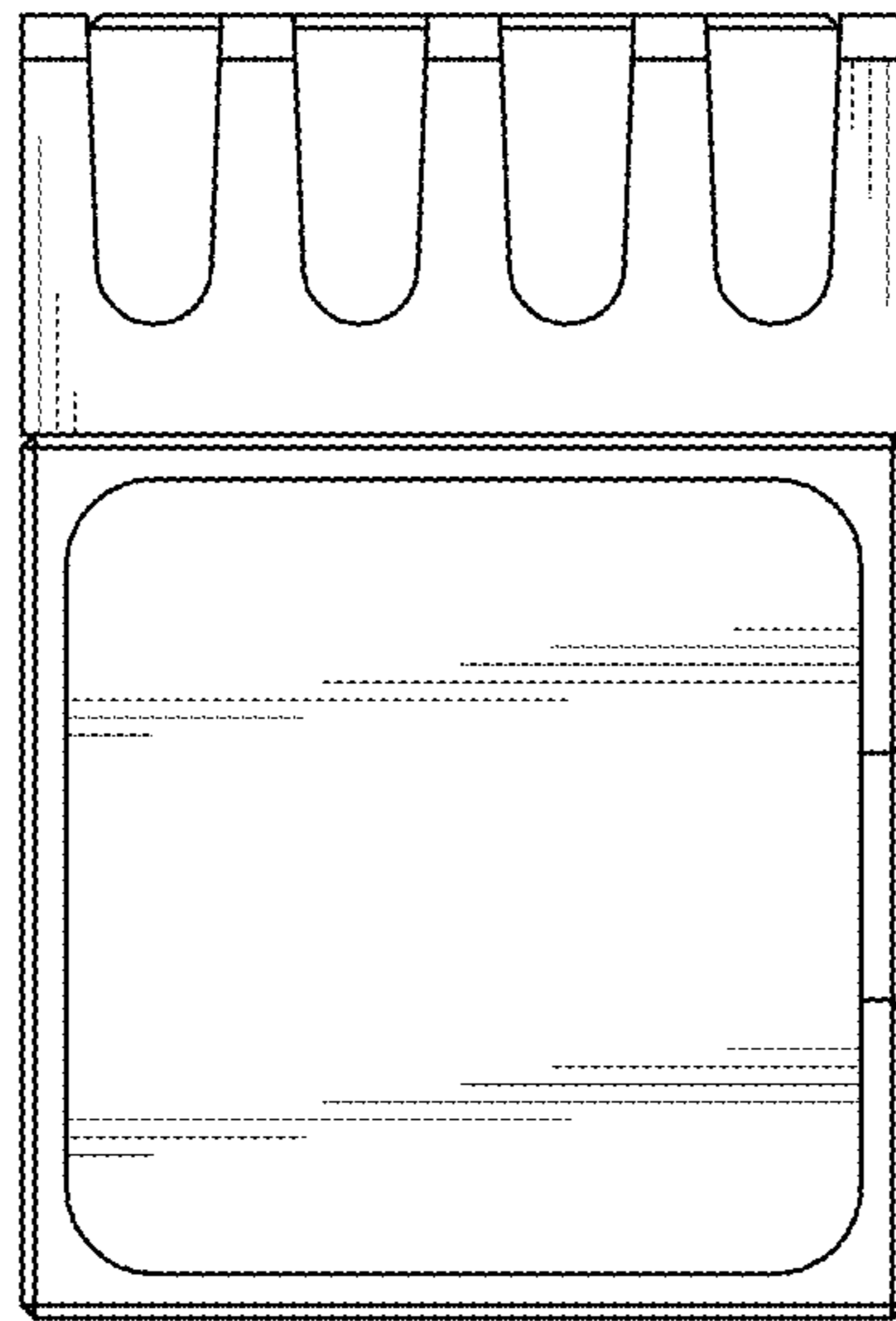


FIG. 5

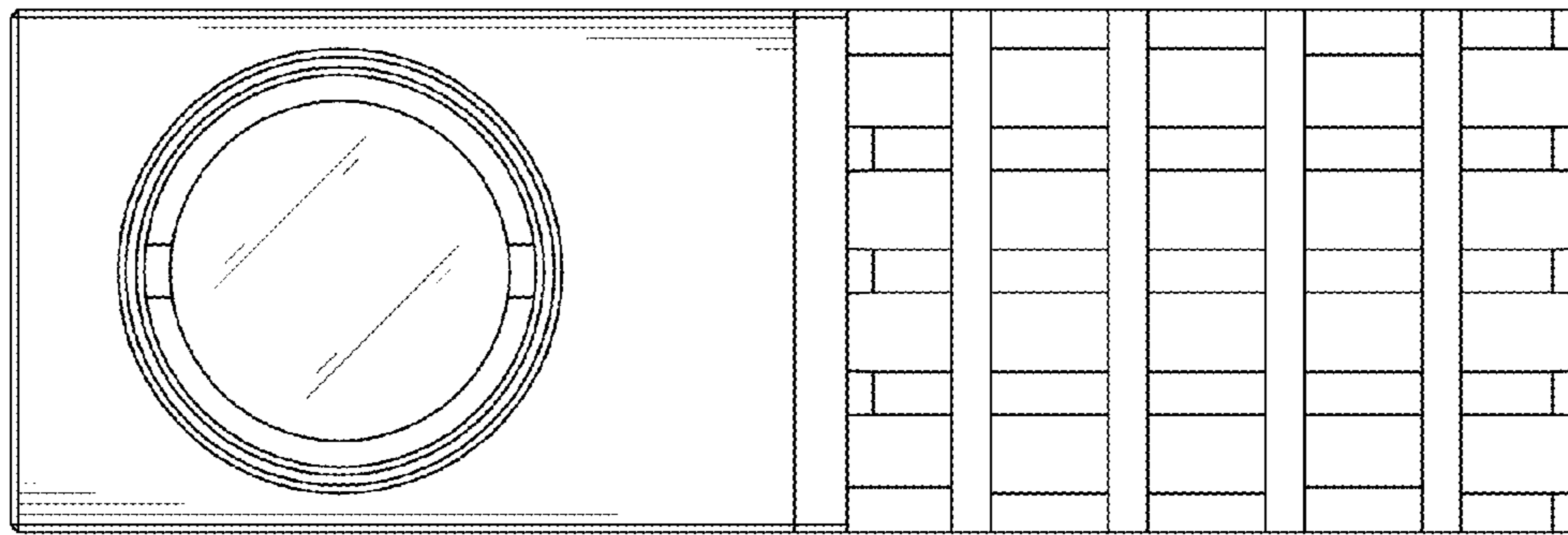


FIG. 6

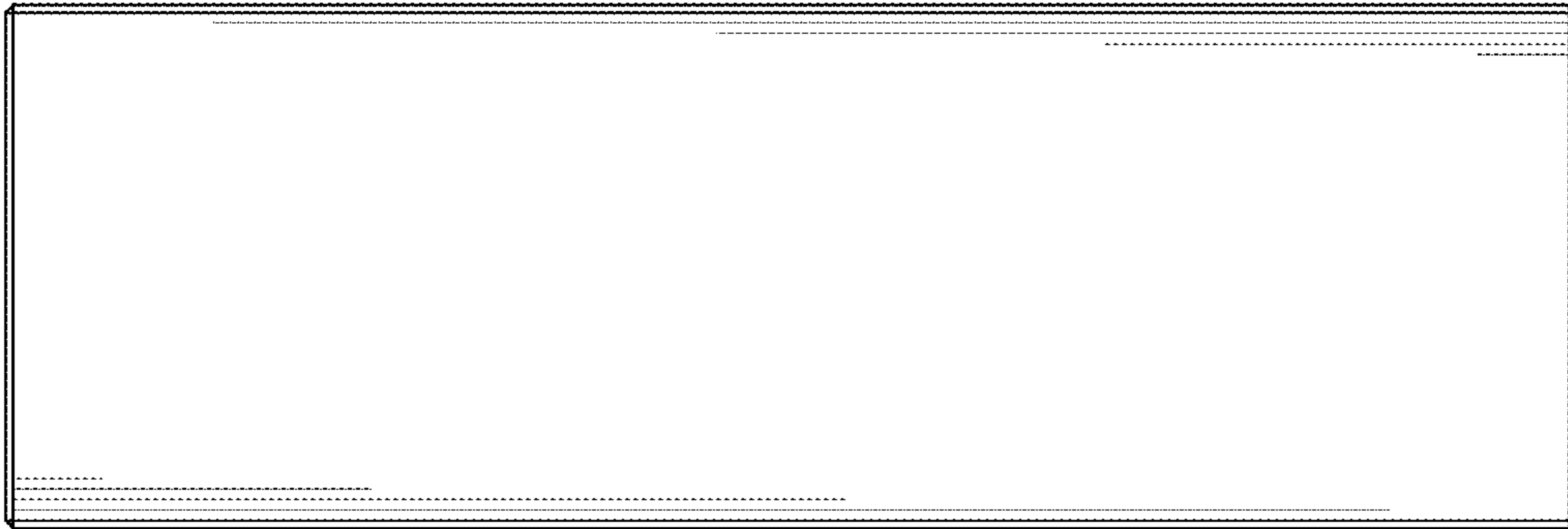


FIG. 7