



US00D758617S

(12) **United States Design Patent**
Zorzi et al.

(10) **Patent No.:** **US D758,617 S**
(45) **Date of Patent:** **** Jun. 7, 2016**

- (54) **ENTRYWAY CLADDING**
- (71) Applicants: **Andrea Zorzi**, San Biagio di Callalta (IT); **Claudio Zorzi**, San Biagio di Callalta (IT)
- (72) Inventors: **Andrea Zorzi**, San Biagio di Callalta (IT); **Claudio Zorzi**, San Biagio di Callalta (IT)
- (**) Term: **14 Years**
- (21) Appl. No.: **29/521,115**
- (22) Filed: **Mar. 19, 2015**
- (51) **LOC (10) Cl.** **25-01**
- (52) **U.S. Cl.**
USPC **D25/119**
- (58) **Field of Classification Search**
USPC D25/58, 61, 119, 121, 124, 125, 136, D25/199; 52/11-15, 459, 460, 464, 474, 52/716.1, 716.6, 716.8, 717.06, 718.04
CPC E04B 1/00; E04B 2/00; E04B 2/30; E04B 2/94; E04C 2/38; E04H 5/00; E04H 5/08; E04H 17/00; F04C 2/26
See application file for complete search history.

D640,801 S *	6/2011	Wickland	D25/119
D661,524 S *	6/2012	Watts	D25/119
D705,447 S *	5/2014	Chrien	D25/119
D710,032 S *	7/2014	Chrien	D25/119
D730,276 S *	5/2015	Wang	D13/102
D735,891 S *	8/2015	MacKenzie	D25/119
D735,892 S *	8/2015	MacKenzie	D25/119
D736,411 S *	8/2015	MacKenzie	D25/119
D736,412 S *	8/2015	MacKenzie	D25/119
2001/0045056 A1 *	11/2001	Hulett	A01G 1/08 47/33
2003/0230026 A1 *	12/2003	Dillon	E04H 17/16 47/33
2005/0183352 A1 *	8/2005	Koenig, Jr.	E04F 19/02 52/211
2013/0219784 A1 *	8/2013	Larsen	A01G 1/08 47/33

* cited by examiner

Primary Examiner — Manpreet Matharu
Assistant Examiner — Aula Soroush
(74) *Attorney, Agent, or Firm* — Gold & Rizvi, P.A.; Glenn E. Gold

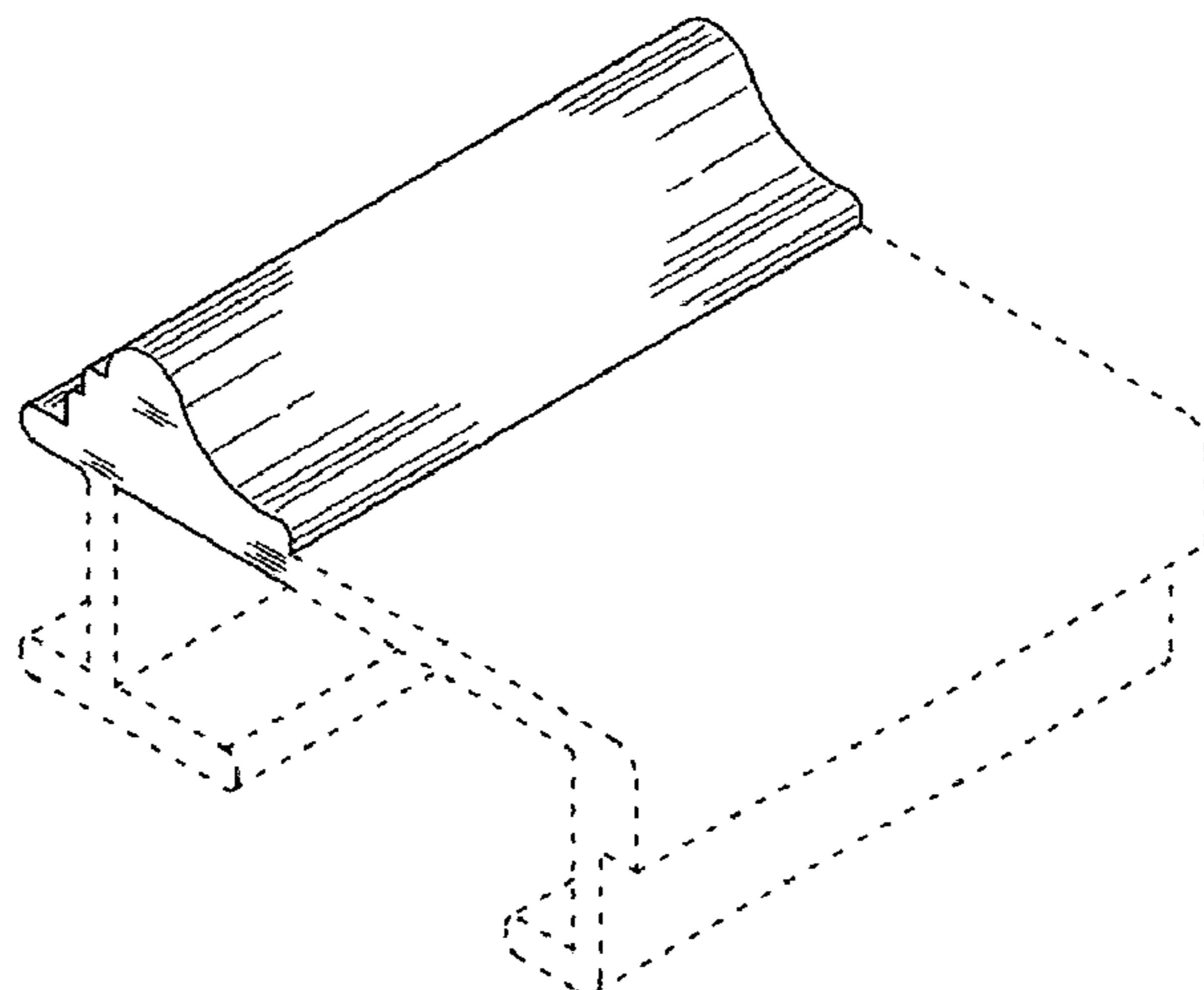
(57) **CLAIM**
The ornamental design for an entryway cladding, as shown and described.

DESCRIPTION

FIG. 1 is a rear perspective view of an entryway cladding showing our new design;
FIG. 2 is a right side elevational view thereof;
FIG. 3 is a left side elevational view thereof;
FIG. 4 is a top plan view thereof;
FIG. 5 is a bottom plan view thereof;
FIG. 6 is a front side elevational view thereof; and,
FIG. 7 is a rear side elevational view thereof.
The broken lines in the drawings illustrate environmental structure that forms no part of the claimed design.

1 Claim, 4 Drawing Sheets

- (56) **References Cited**
U.S. PATENT DOCUMENTS
- D328,381 S * 7/1992 Tanikawa D25/119
- D344,809 S * 3/1994 Bancroft D25/121
- D429,009 S * 8/2000 Ginzler D25/136
- D447,253 S * 8/2001 Gardner D25/119
- D499,816 S * 12/2004 Eichner D25/119
- D512,164 S * 11/2005 Schrader D25/119
- D577,131 S * 9/2008 Cole D25/119
- D587,818 S * 3/2009 Schrader D25/119
- 7,793,475 B2 * 9/2010 Riggs E04F 13/06
52/255



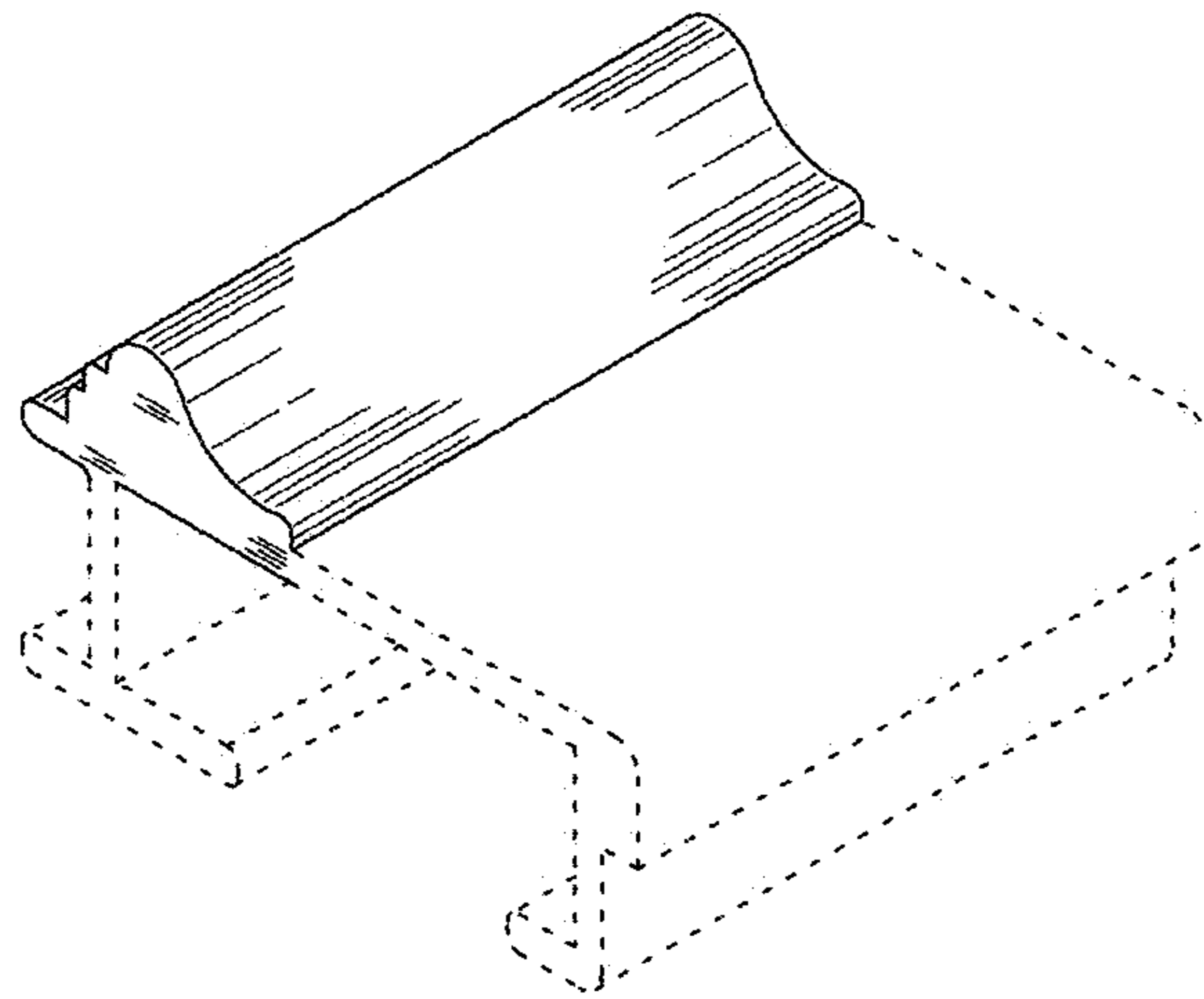


FIG. 1

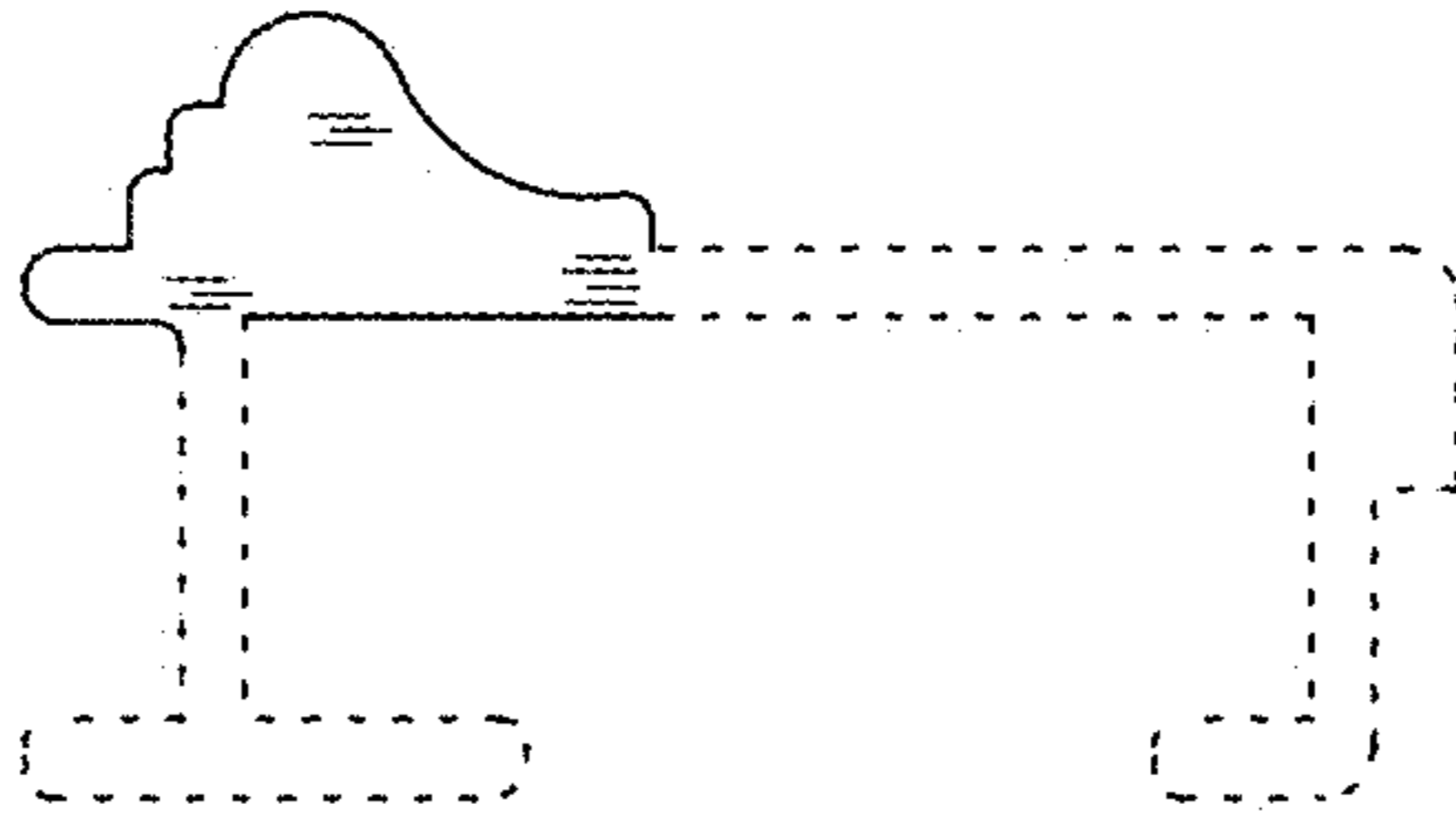


FIG. 2

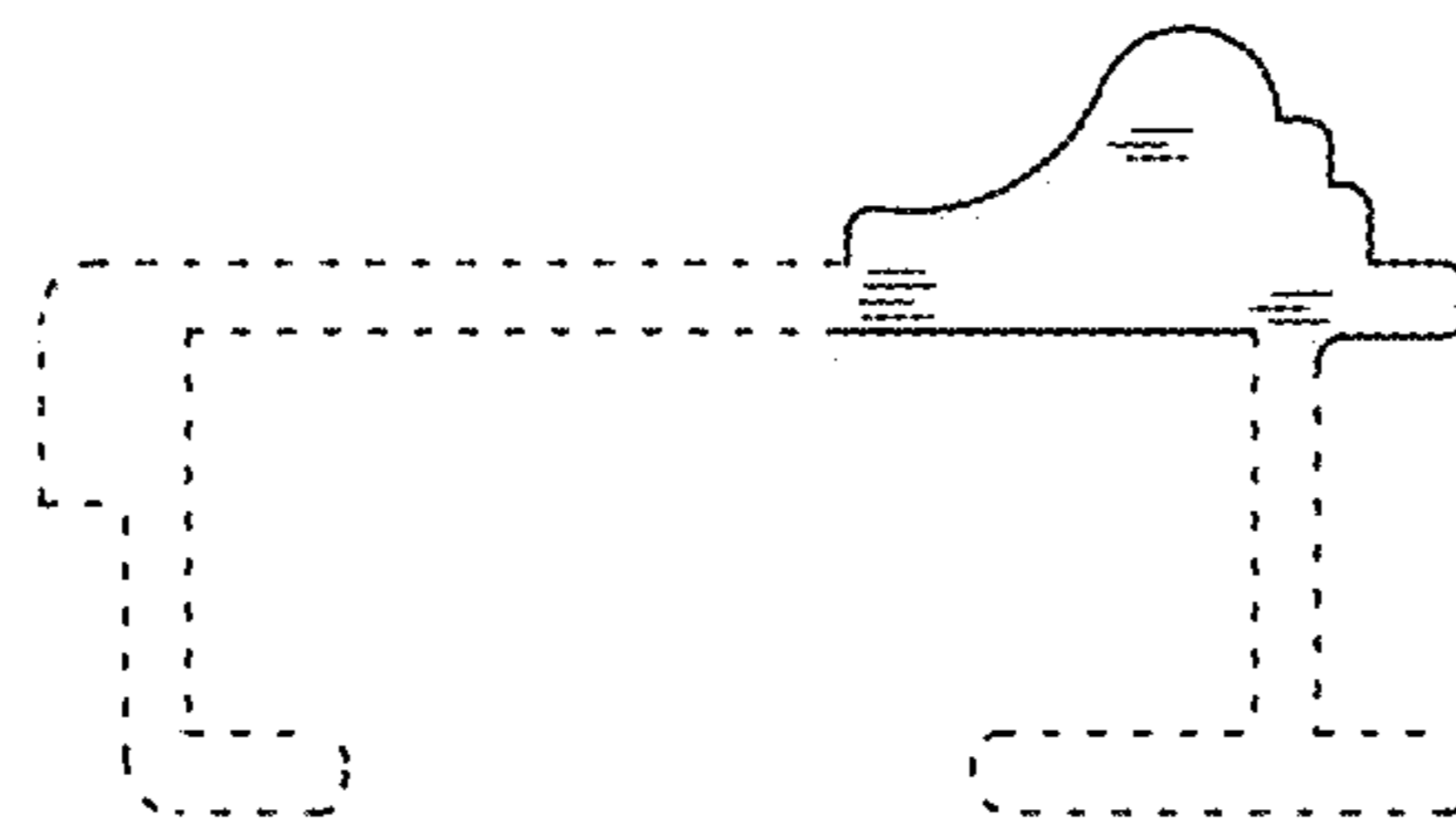


FIG. 3

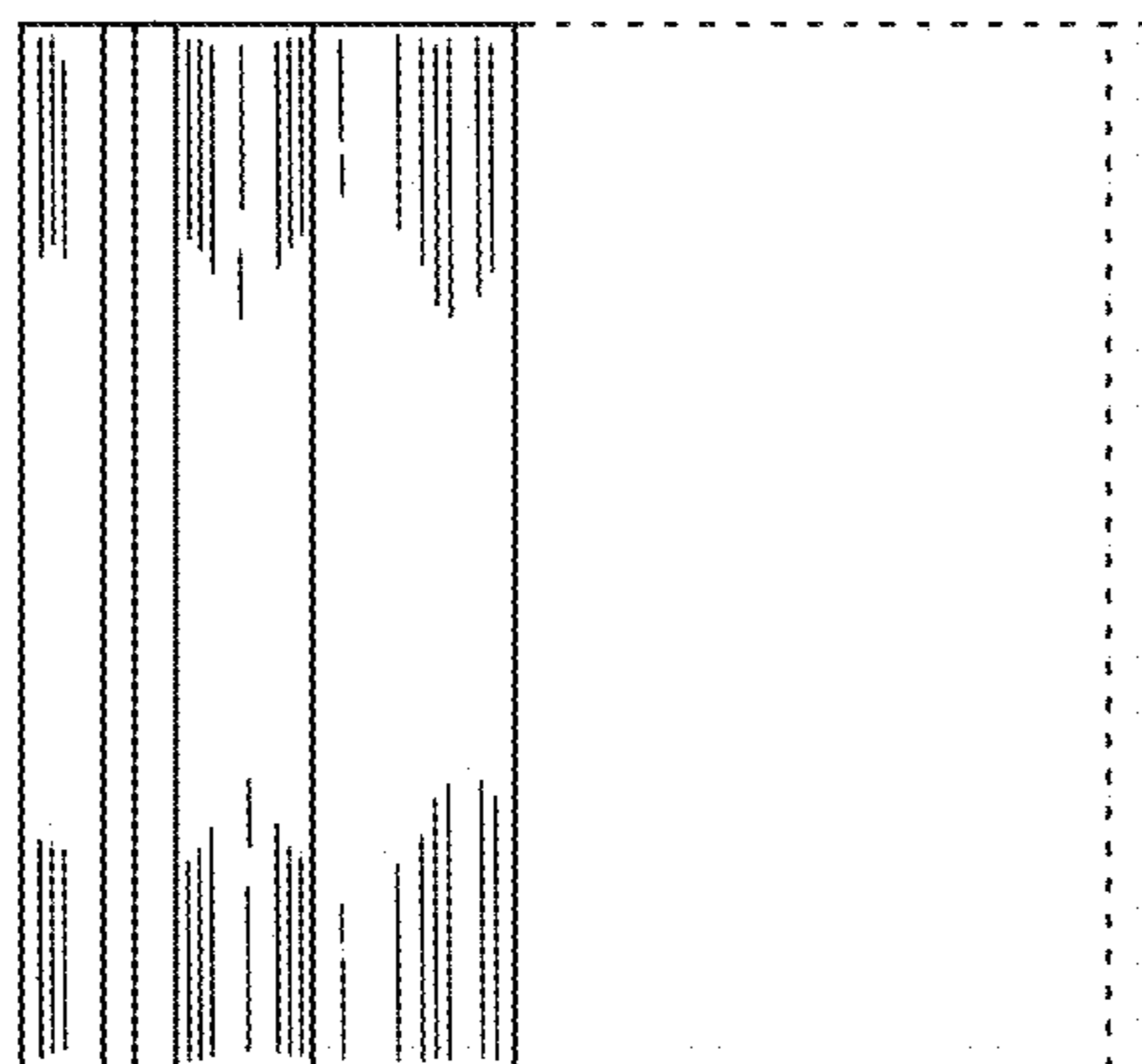


FIG. 4

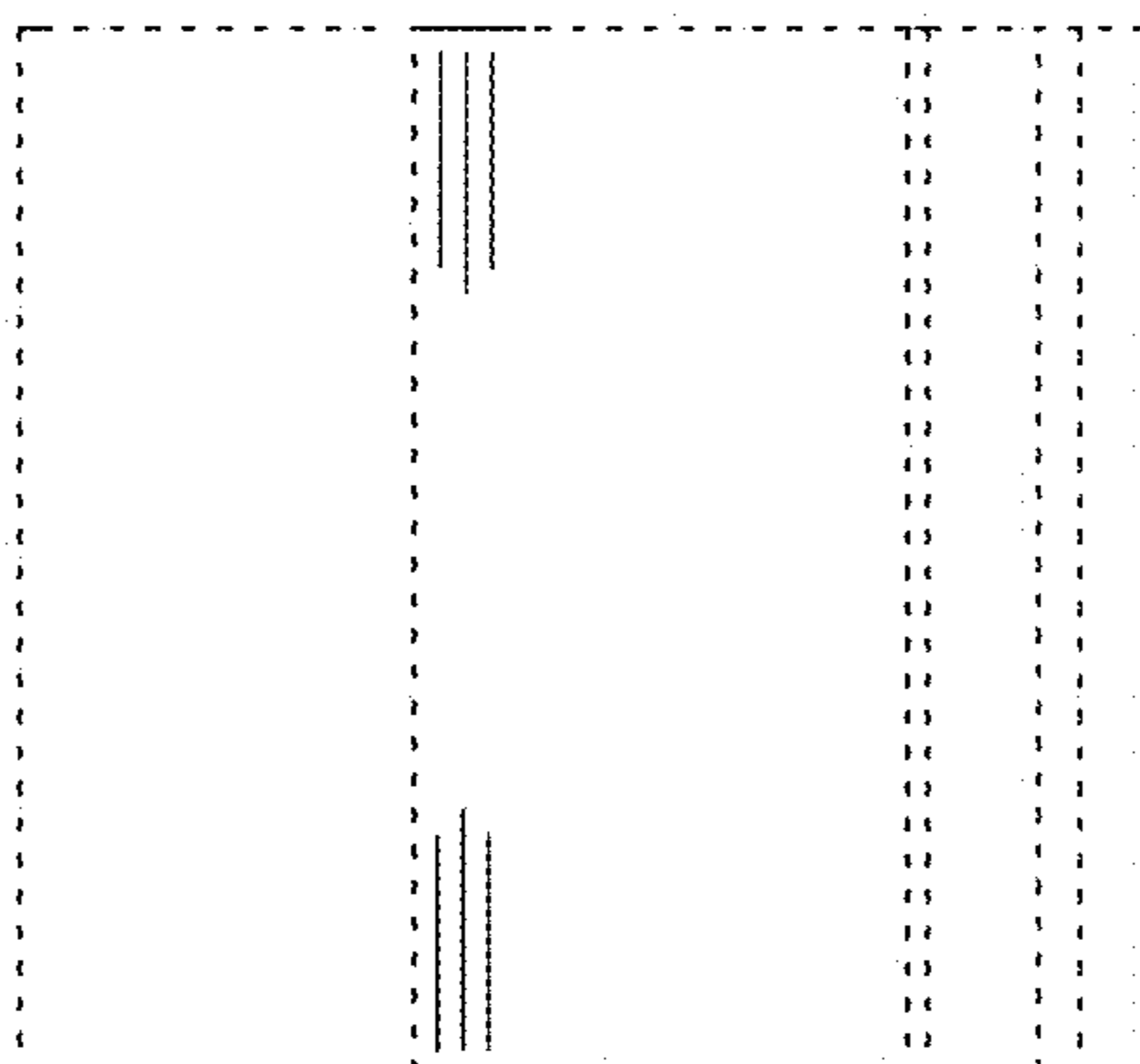


FIG. 5

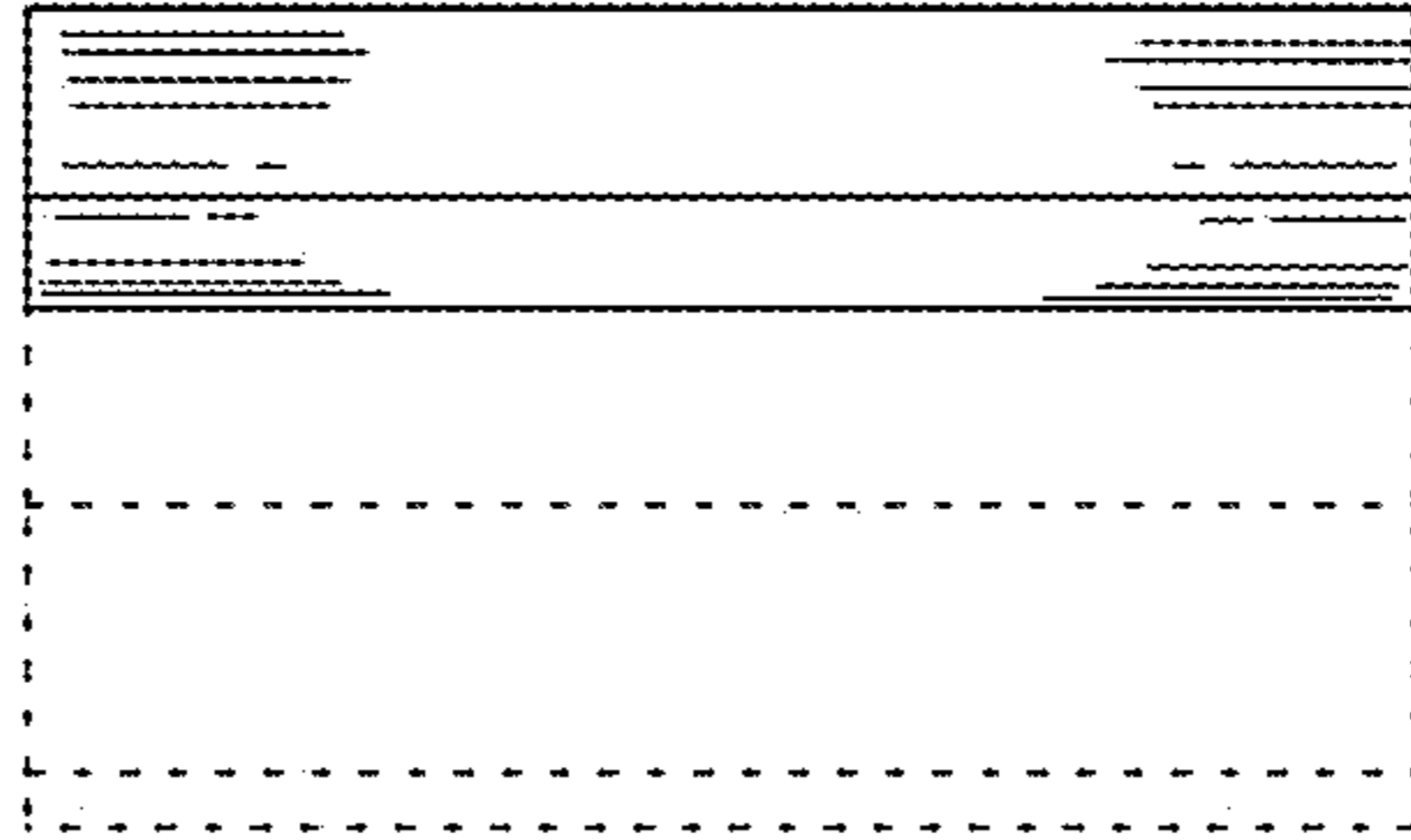


FIG. 6

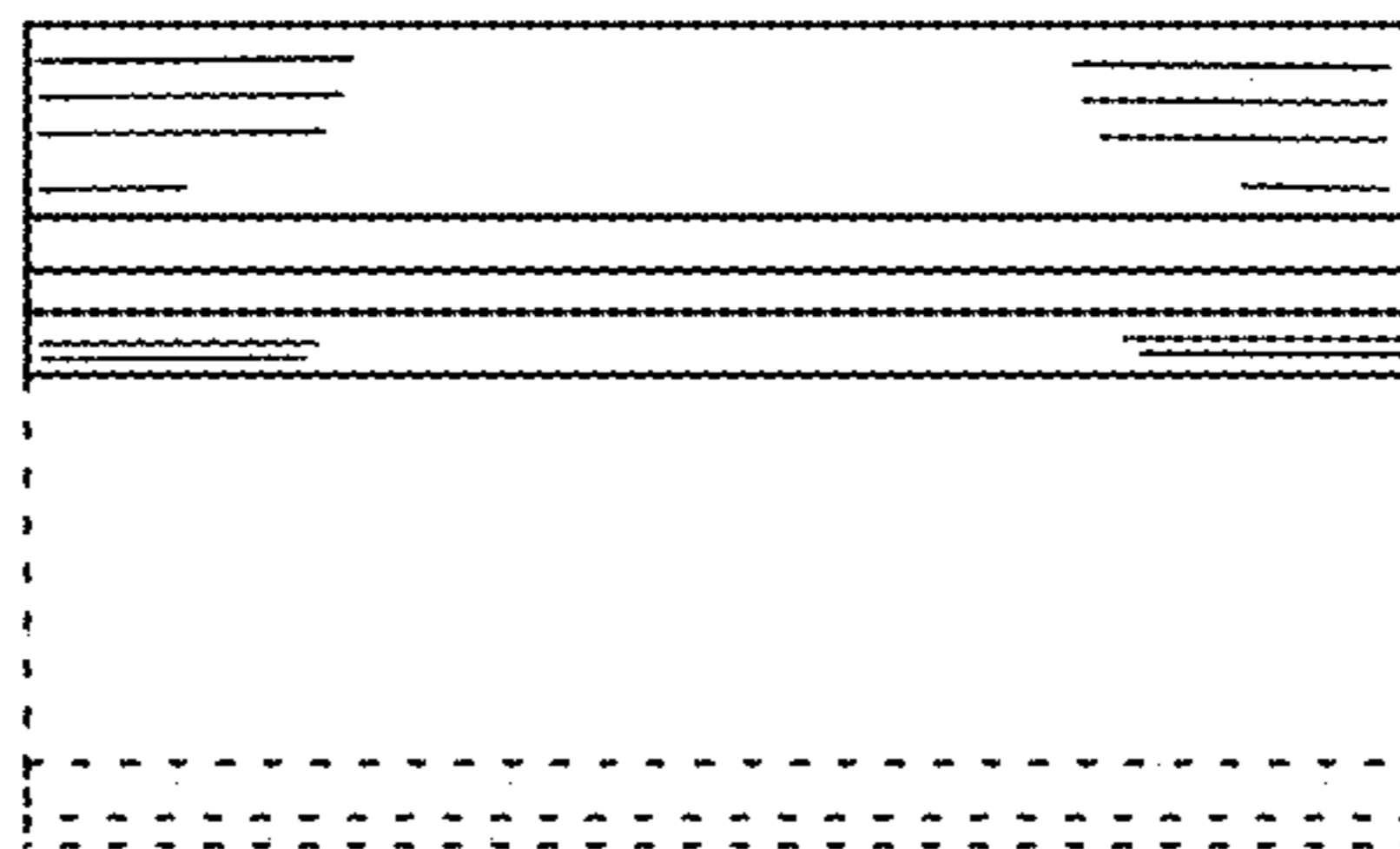


FIG. 7