



US00D758616S

(12) **United States Design Patent**  
**Zorzi et al.**

(10) **Patent No.:** **US D758,616 S**  
(45) **Date of Patent:** **\*\* Jun. 7, 2016**

- (54) **ENTRYWAY CLADDING**
- (71) Applicants: **Andrea Zorzi**, San Biagio di Callalta (IT); **Claudio Zorzi**, San Biagio di Callalta (IT)
- (72) Inventors: **Andrea Zorzi**, San Biagio di Callalta (IT); **Claudio Zorzi**, San Biagio di Callalta (IT)
- (\*\*) Term: **14 Years**
- (21) Appl. No.: **29/521,111**
- (22) Filed: **Mar. 19, 2015**
- (51) **LOC (10) Cl.** ..... **25-01**
- (52) **U.S. Cl.**  
USPC ..... **D25/119**
- (58) **Field of Classification Search**  
USPC ..... D25/58, 61, 119, 121, 136, 199;  
52/11-15, 459, 460, 464, 474, 716.1,  
52/716.6, 716.8, 717.06, 718.04  
CPC ..... E04B 1/00; E04B 2/00; E04B 2/30;  
E04B 2/94; E04C 2/38; E04H 5/00; E04H  
5/08; E04H 17/00; F04C 2/26  
See application file for complete search history.

- (56) **References Cited**  
U.S. PATENT DOCUMENTS  
D328,381 S \* 7/1992 Tanikawa ..... D25/119  
D344,809 S \* 3/1994 Bancroft ..... D25/121  
D429,009 S \* 8/2000 Ginzler ..... D25/136  
D447,253 S \* 8/2001 Gardner ..... D25/119  
D499,816 S \* 12/2004 Eichner ..... D25/119  
D512,164 S \* 11/2005 Schrader ..... D25/119  
D577,131 S \* 9/2008 Cole ..... D25/119  
D587,818 S \* 3/2009 Schrader ..... D25/119  
7,793,475 B2 \* 9/2010 Riggs ..... E04F 13/06  
52/255

D640,801 S *	6/2011	Wickland	.....	D25/119
D661,524 S *	6/2012	Watts	.....	D25/119
D705,447 S *	5/2014	Chrien	.....	D25/119
D710,032 S *	7/2014	Chrien	.....	D25/119
D730,276 S *	5/2015	Wang	.....	D13/102
D735,891 S *	8/2015	MacKenzie	.....	D25/119
D735,892 S *	8/2015	MacKenzie	.....	D25/119
D736,411 S *	8/2015	MacKenzie	.....	D25/119
D736,412 S *	8/2015	MacKenzie	.....	D25/119
2001/0045056 A1 *	11/2001	Hulett	.....	A01G 1/08 47/33
2003/0230026 A1 *	12/2003	Dillon	.....	E04H 17/16 47/33
2005/0183352 A1 *	8/2005	Koenig	.....	E04F 19/02 52/211
2013/0219784 A1 *	8/2013	Larsen	.....	A01G 1/08 47/33

\* cited by examiner

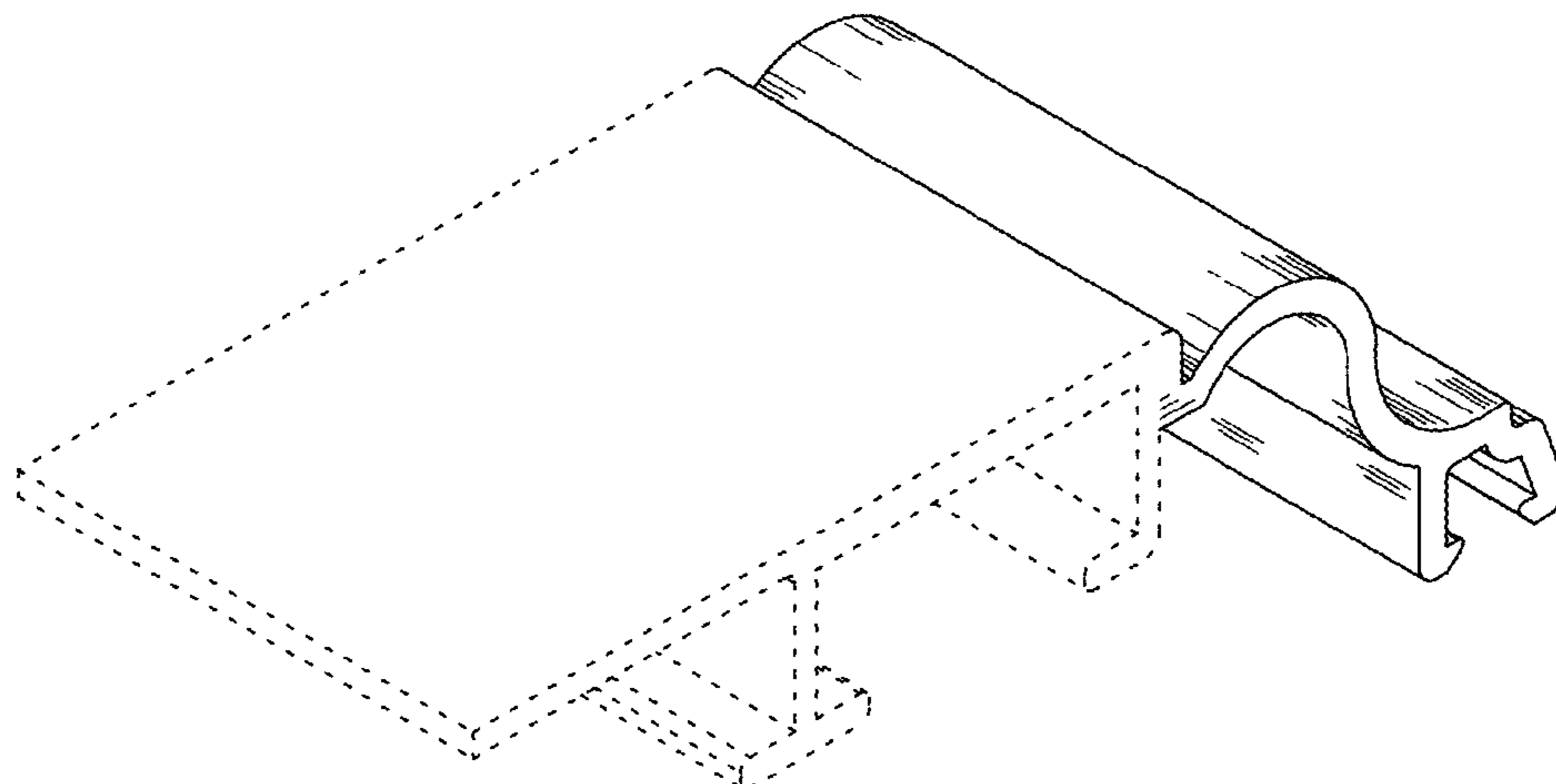
*Primary Examiner* — Manpreet Matharu  
*Assistant Examiner* — Aula Soroush  
(74) *Attorney, Agent, or Firm* — Gold & Rizvi, P.A.; Glenn E. Gold

(57) **CLAIM**  
The ornamental design for an entryway cladding, as shown and described.

**DESCRIPTION**

FIG. 1 is a rear perspective view of an entryway cladding showing our new design;  
FIG. 2 is a right side elevational view thereof;  
FIG. 3 is a left side elevational view thereof;  
FIG. 4 is a top plan view thereof;  
FIG. 5 is a bottom plan view thereof;  
FIG. 6 is a front side elevational view thereof; and,  
FIG. 7 is a rear side elevational view thereof.  
The broken lines in the drawings illustrate environmental structure that forms no part of the claimed design.

**1 Claim, 4 Drawing Sheets**



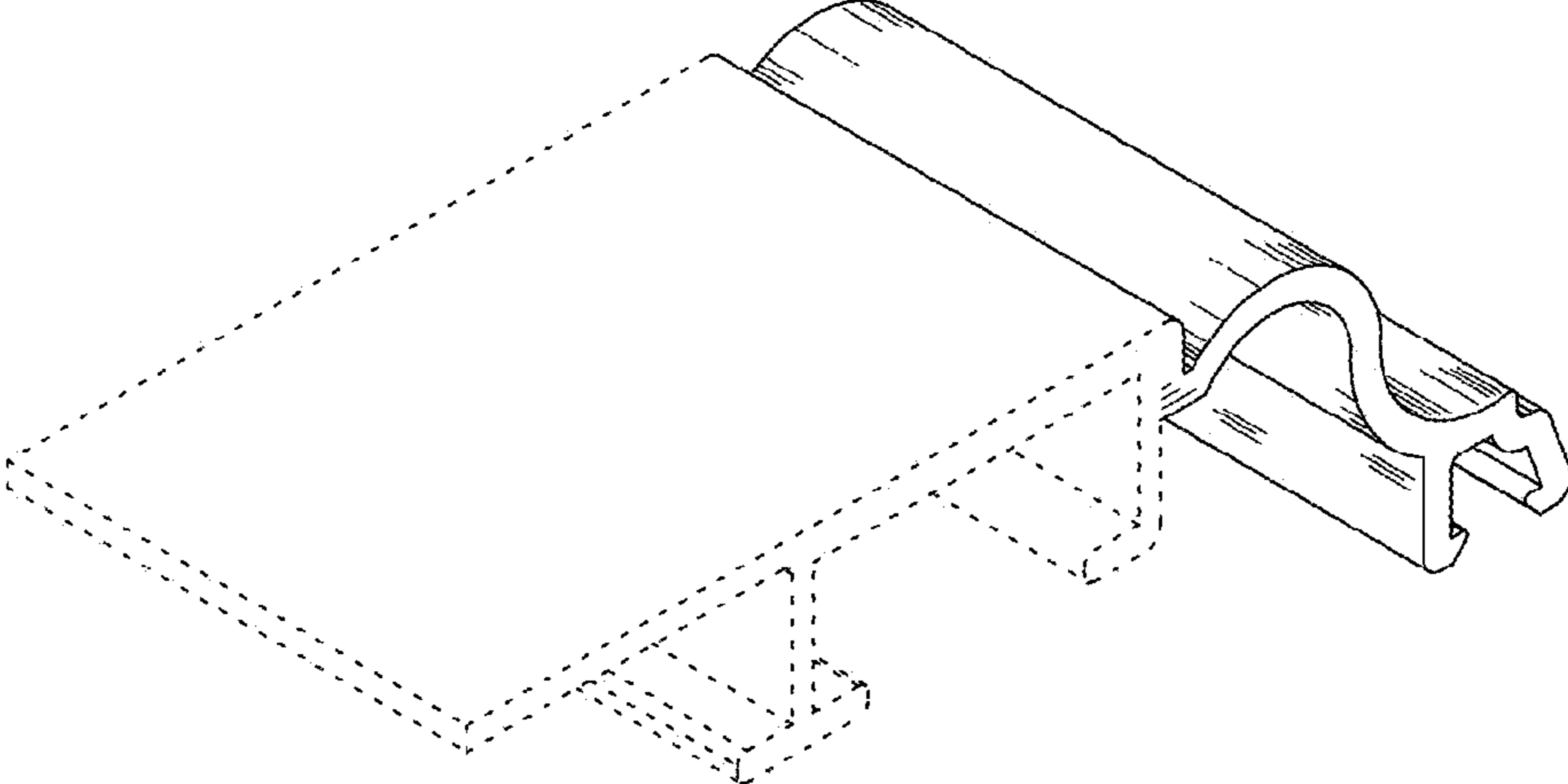


FIG. 1

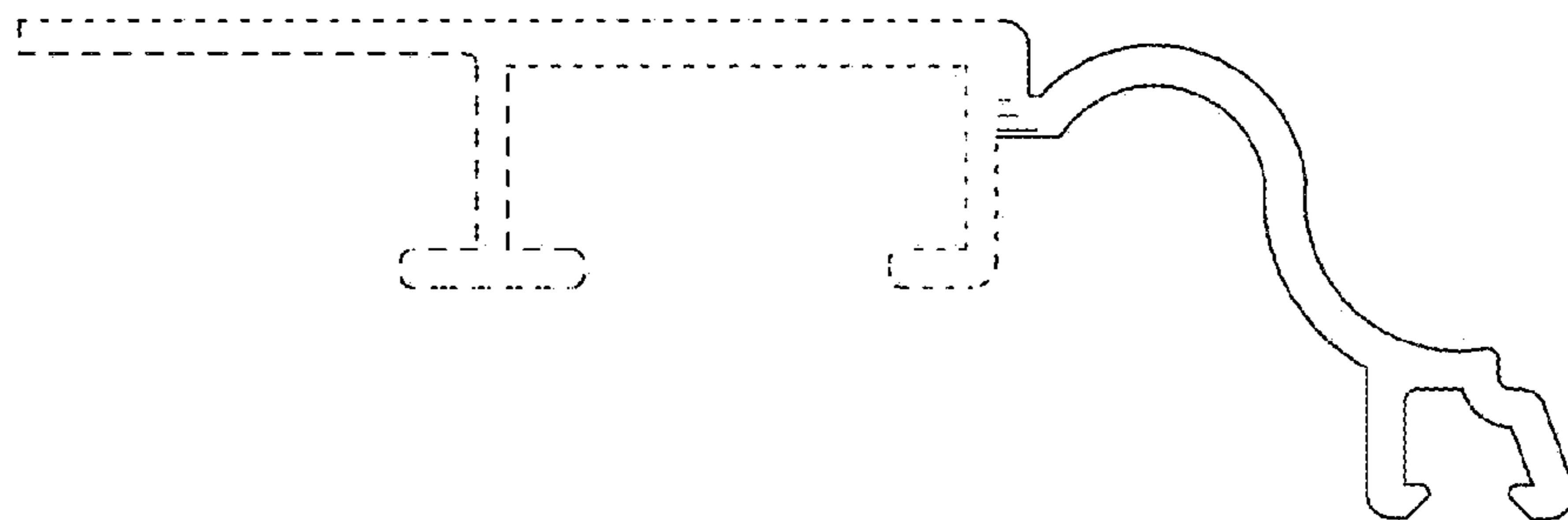


FIG. 2

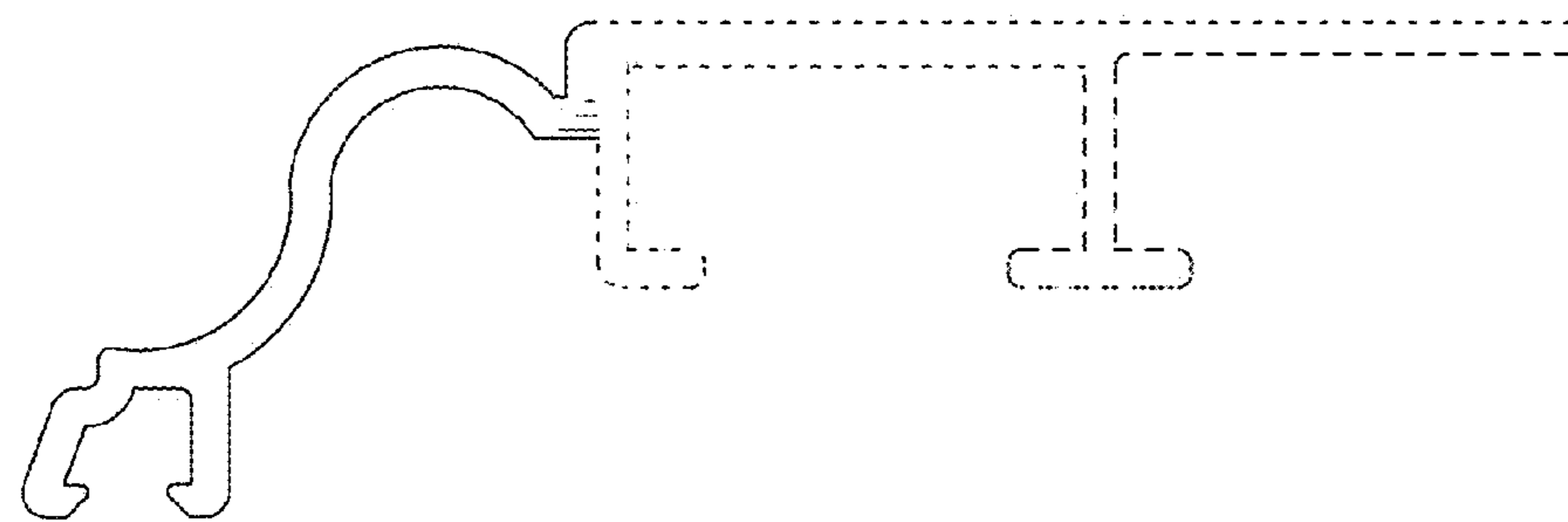


FIG. 3

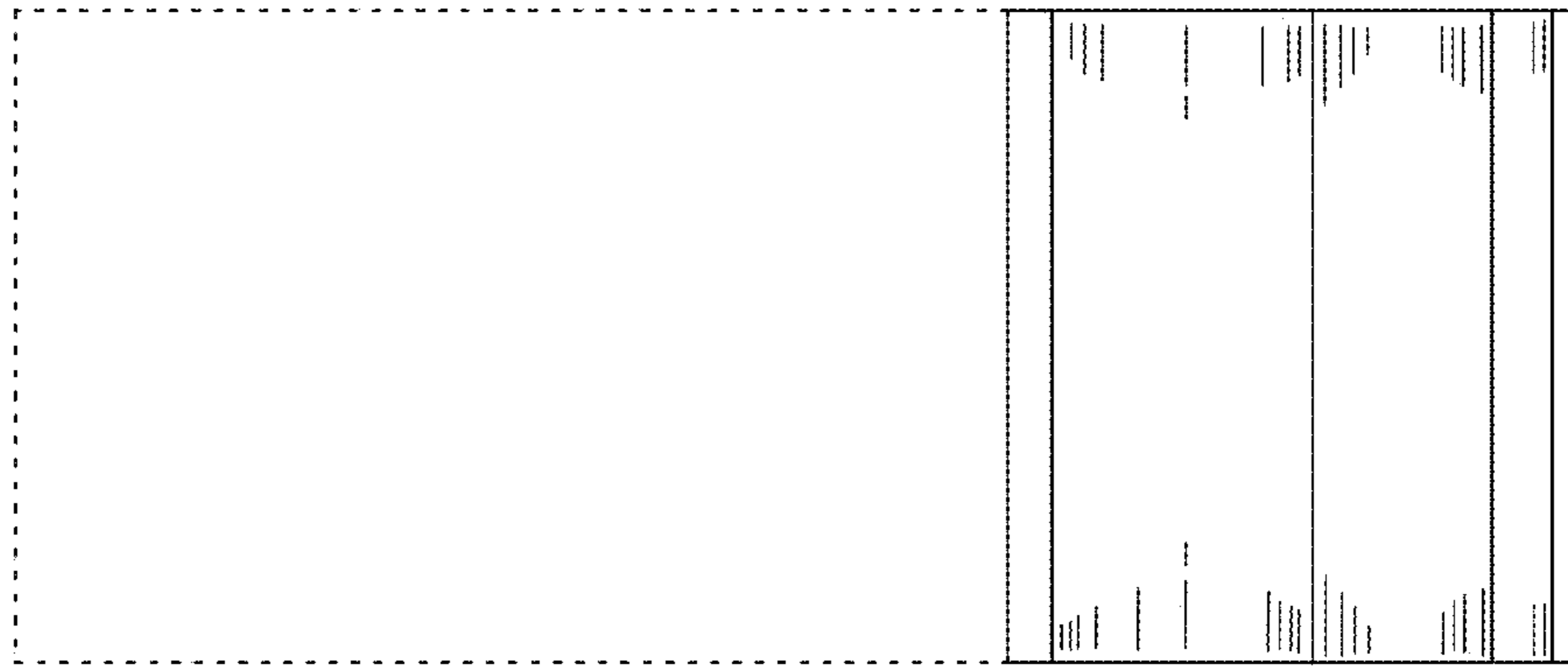


FIG. 4

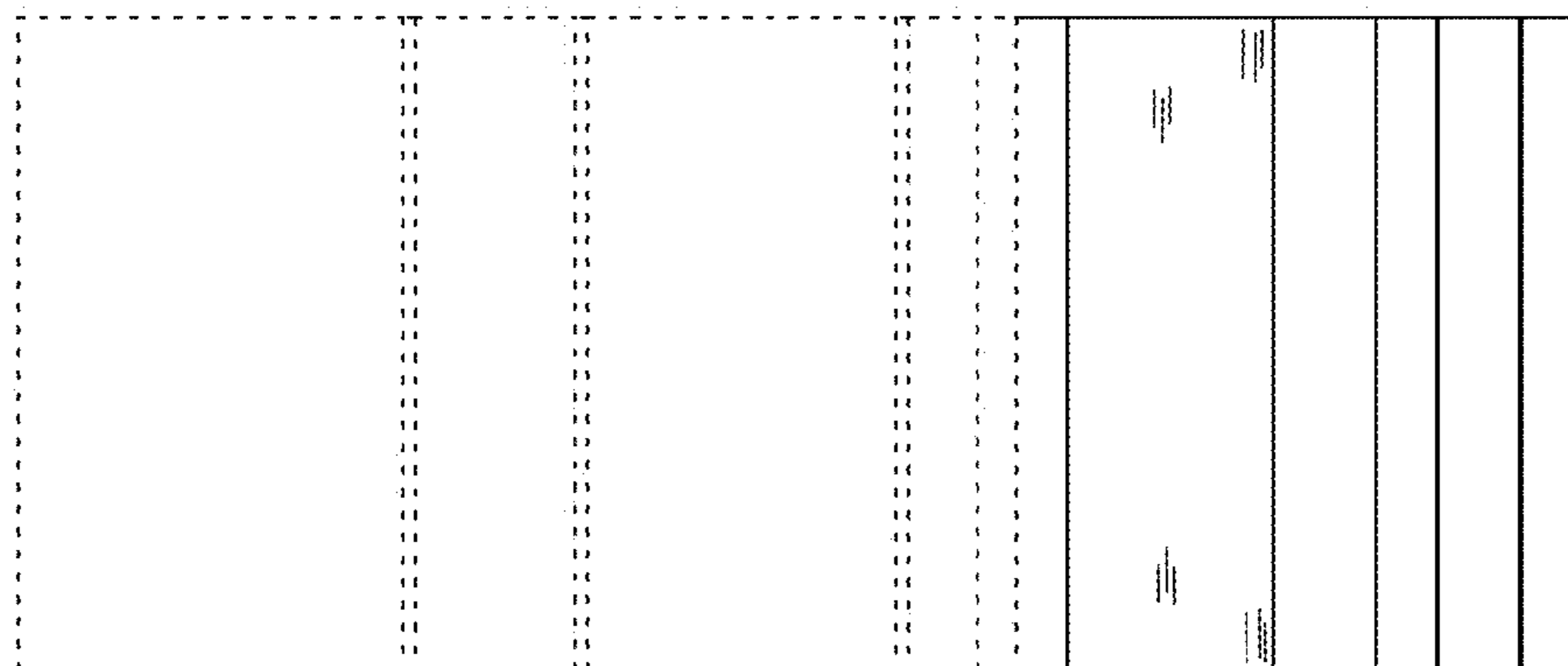


FIG. 5

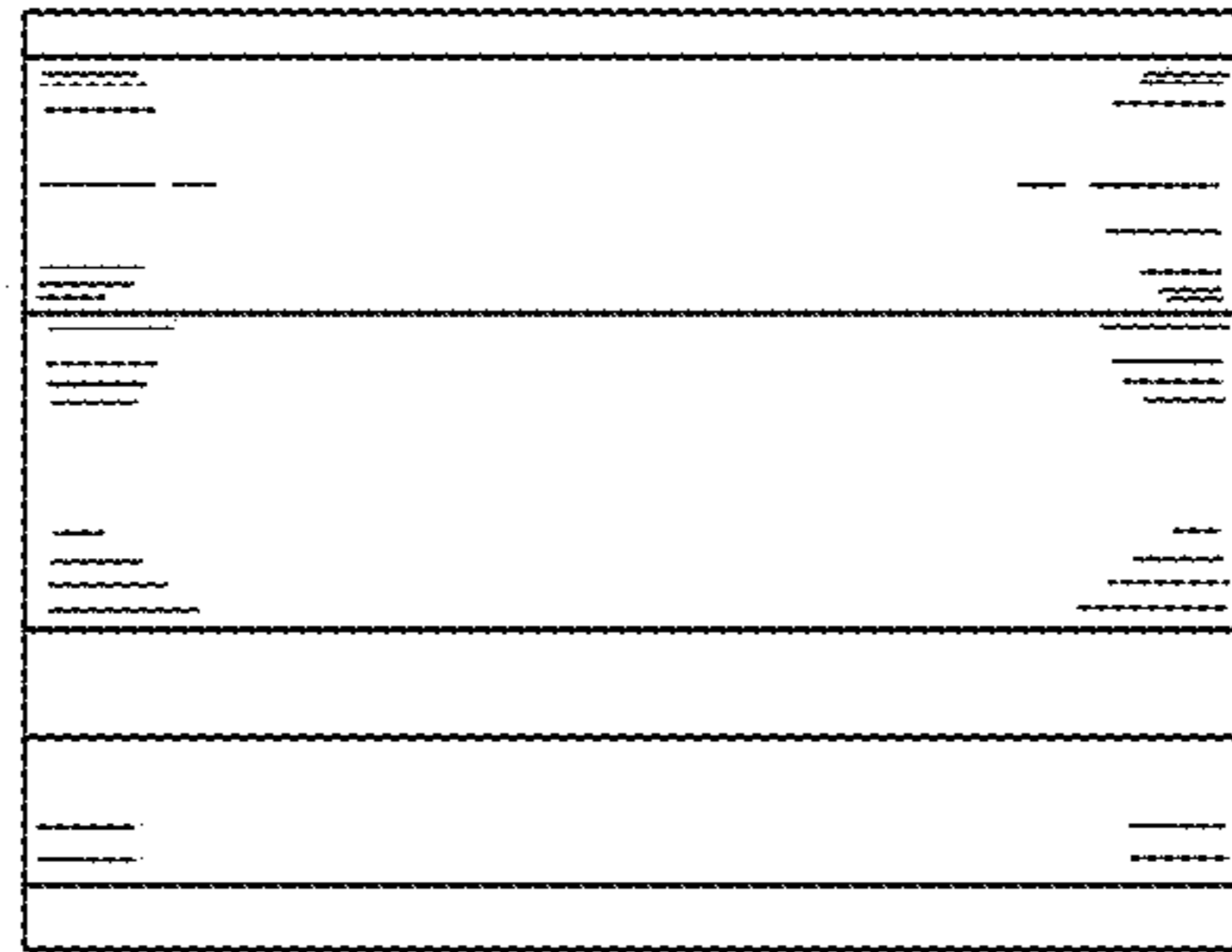


FIG. 6

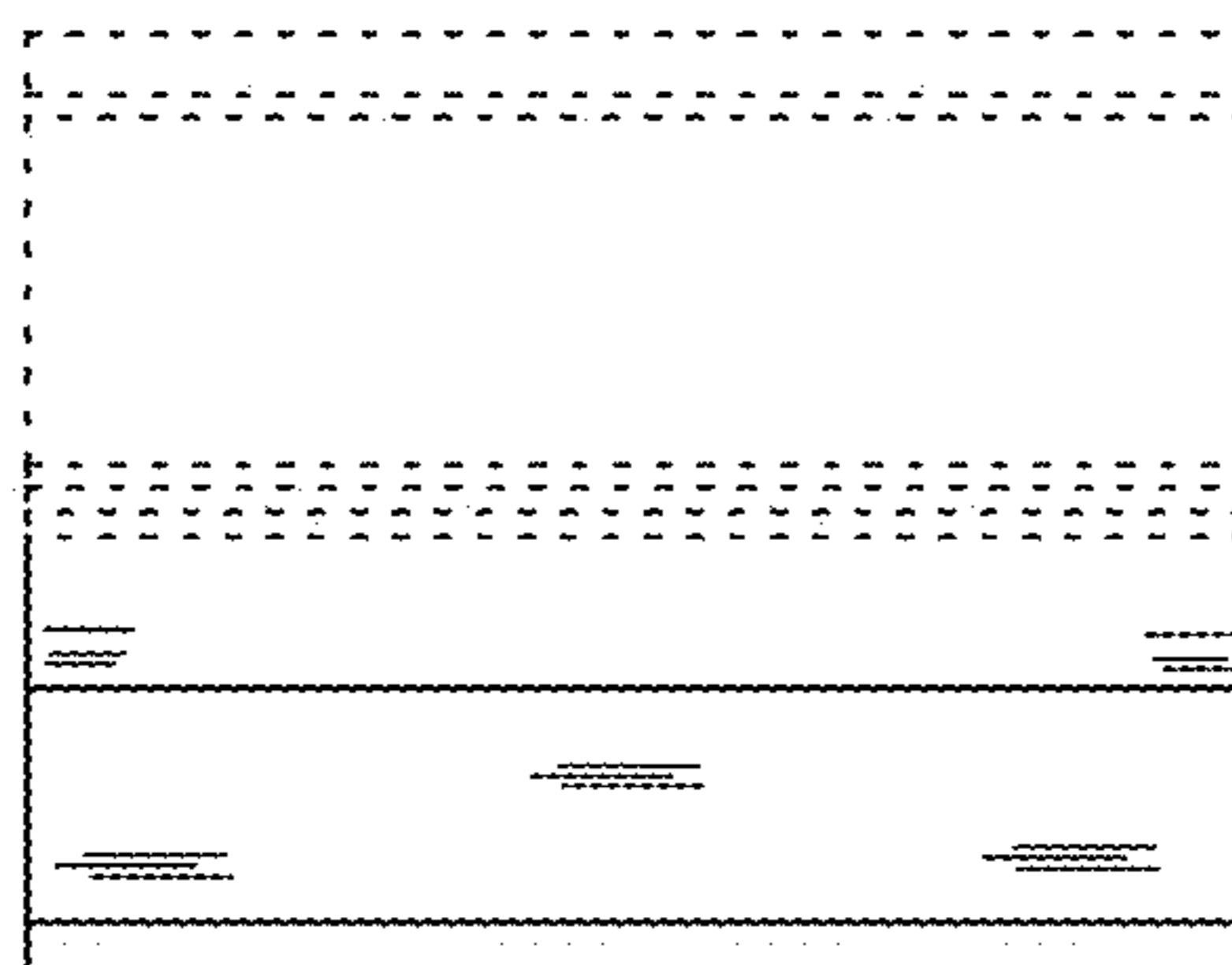


FIG. 7