



US00D758608S

(12) **United States Design Patent**
Behar et al.

(10) **Patent No.:** **US D758,608 S**
(45) **Date of Patent:** **** Jun. 7, 2016**

(54) **DIAGNOSTIC TEST PADDLE**

(56) **References Cited**

- (71) Applicant: **SCANADU INCORPORATED**,
Moffett Field, CA (US)
- (72) Inventors: **Yves A. Behar**, San Francisco, CA (US);
Brandon D. Woolsey, San Jose, CA
(US); **Aaron A. Rowe**, San Francisco,
CA (US); **Willy Carteau**, San Francisco,
CA (US); **Alice M. Kwan**, Union City,
CA (US)
- (73) Assignee: **Scanadu Incorporated**, Moffett Field,
CA (US)
- (**) Term: **14 Years**
- (21) Appl. No.: **29/510,567**
- (22) Filed: **Dec. 1, 2014**

U.S. PATENT DOCUMENTS

D369,868 S	5/1996	Nazareth et al.	
D432,244 S	10/2000	Anderson et al.	
6,267,722 B1	7/2001	Anderson et al.	
D456,082 S	4/2002	Bouse et al.	
D495,805 S	9/2004	Lea et al.	
D497,209 S	10/2004	Ukon	
D498,850 S	11/2004	Ukon	
D499,813 S	12/2004	Wu	
D500,142 S	12/2004	Crisanti et al.	
D531,321 S	10/2006	Godfrey et al.	
D547,879 S	7/2007	Lee	
D548,359 S	8/2007	Illein et al.	
D559,995 S *	1/2008	Handique	D24/232
D560,812 S *	1/2008	Powell	D24/216
D565,742 S *	4/2008	Parunak	D24/224
D566,291 S *	4/2008	Parunak	D24/224
D602,599 S	10/2009	Xiaowei	
D621,060 S *	8/2010	Handique	D24/225
D626,249 S	10/2010	Wang et al.	
D634,023 S	3/2011	Wei	
D639,977 S	6/2011	Francis et al.	
D640,389 S	6/2011	Francis et al.	

(Continued)

Related U.S. Application Data

- (62) Division of application No. 29/450,721, filed on Mar. 21, 2013, now Pat. No. Des. 720,864.
- (51) **LOC (10) Cl.** **24-01**
- (52) **U.S. Cl.**
USPC **D24/223**
- (58) **Field of Classification Search**
USPC D24/216, 223–226, 121–122; D10/81;
422/408, 430, 500, 502, 503, 68.1;
436/163, 164, 169; 600/573, 584, 300
CPC B01L 2400/0406; B01L 2300/0816;
G01N 2001/028; G01N 31/221; G01N 31/22;
B01J 19/0046; A61B 10/007; A61B 5/1411;
A61B 5/0002

See application file for complete search history.

Primary Examiner — T. Chase Nelson

Assistant Examiner — Mark Cavanna

(74) *Attorney, Agent, or Firm* — Alford Law Group, Inc.;
William E. Alford

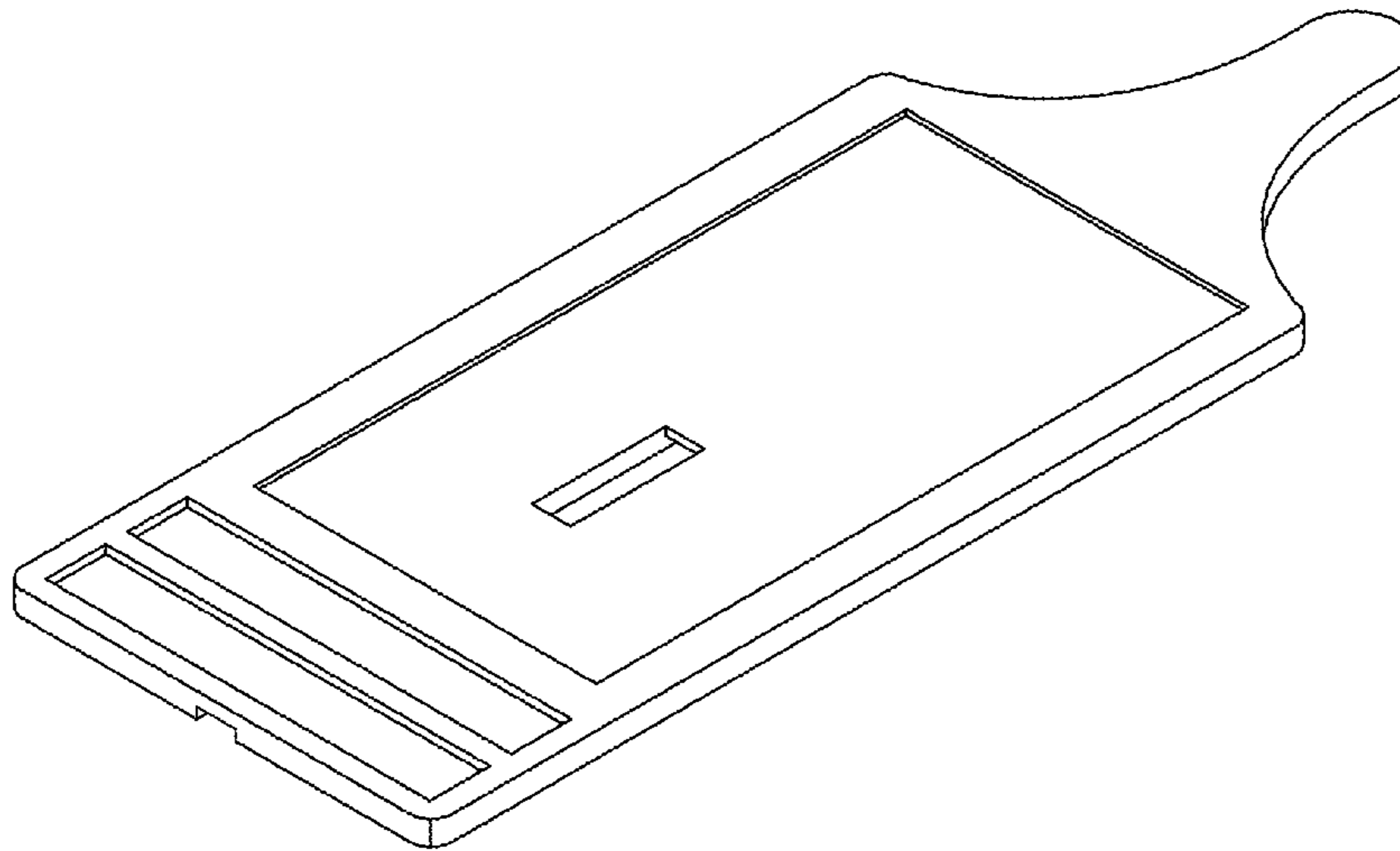
(57) **CLAIM**

The ornamental design for a diagnostic test paddle, as shown and described.

DESCRIPTION

FIG. 1 is a top perspective view of a diagnostic test paddle; FIG. 2 is a bottom perspective view thereof; FIG. 3 is a top view thereof; FIG. 4 is a right side view thereof; FIG. 5 is a distal view thereof; FIG. 6 is a proximal view thereof; FIG. 7 is a left side view thereof; and, FIG. 8 is a bottom view thereof.

1 Claim, 3 Drawing Sheets



(56)

References Cited

U.S. PATENT DOCUMENTS

D654,185 S	2/2012	Lee	D673,289 S	12/2012	Pierce et al.	
D655,424 S	3/2012	Castanon et al.	D673,290 S	12/2012	Pierce et al.	
D660,977 S	5/2012	Wagner et al.	D673,689 S	1/2013	Pierce et al.	
D660,978 S	5/2012	Wagner et al.	D676,569 S	2/2013	Laverack et al.	
D668,350 S	10/2012	Rowley	D676,570 S	2/2013	Chance et al.	
D668,779 S	10/2012	Khan et al.	D694,889 S	12/2013	Karlsson et al.	
D672,053 S *	12/2012	Chen D24/225	D702,364 S	4/2014	Iqbal et al.	
D673,288 S	12/2012	Pierce et al.	2002/0061260 A1 *	5/2002	Husar	B01L 3/0241 422/500
			2012/0021528 A1	1/2012	Jerome et al.	

* cited by examiner

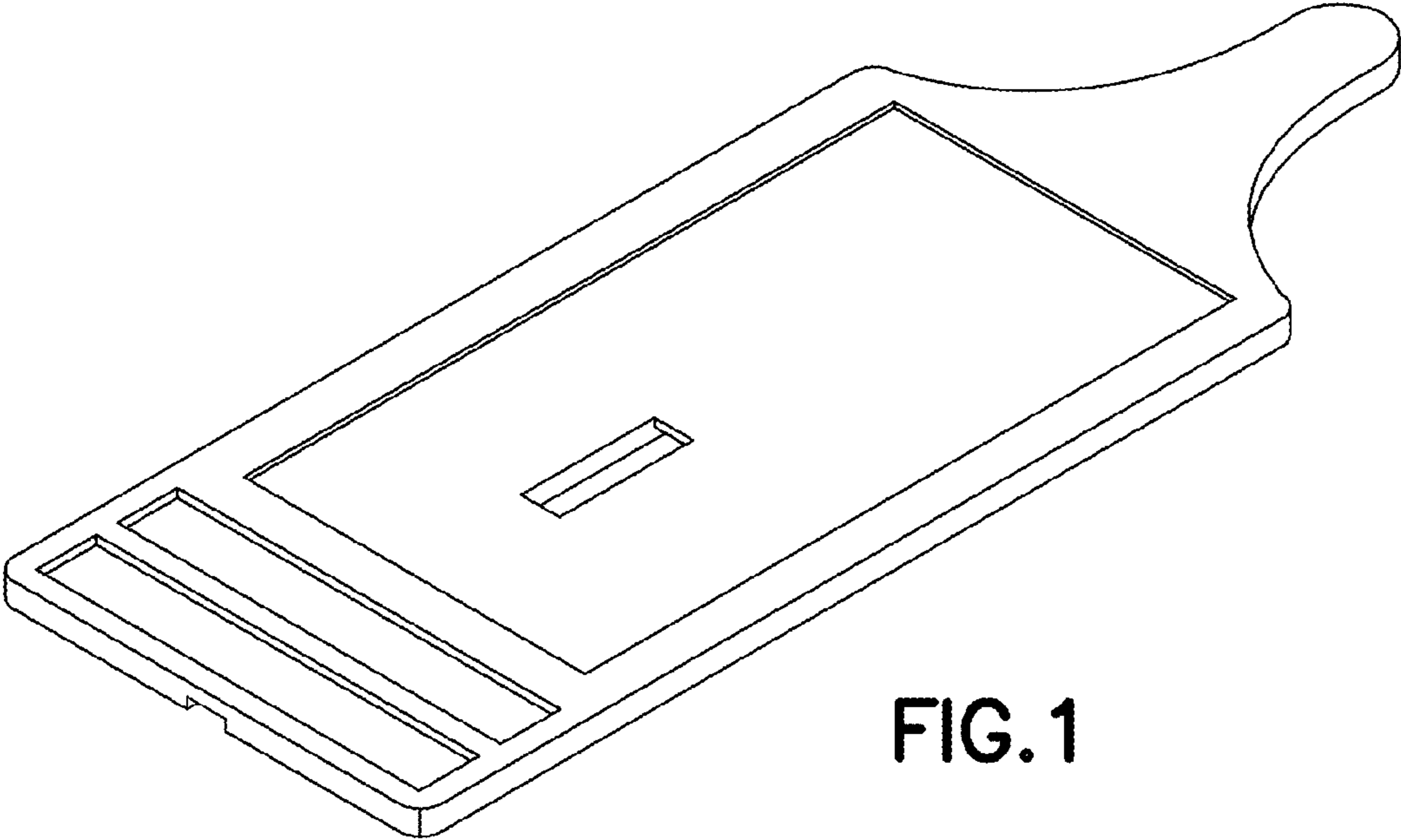


FIG. 1

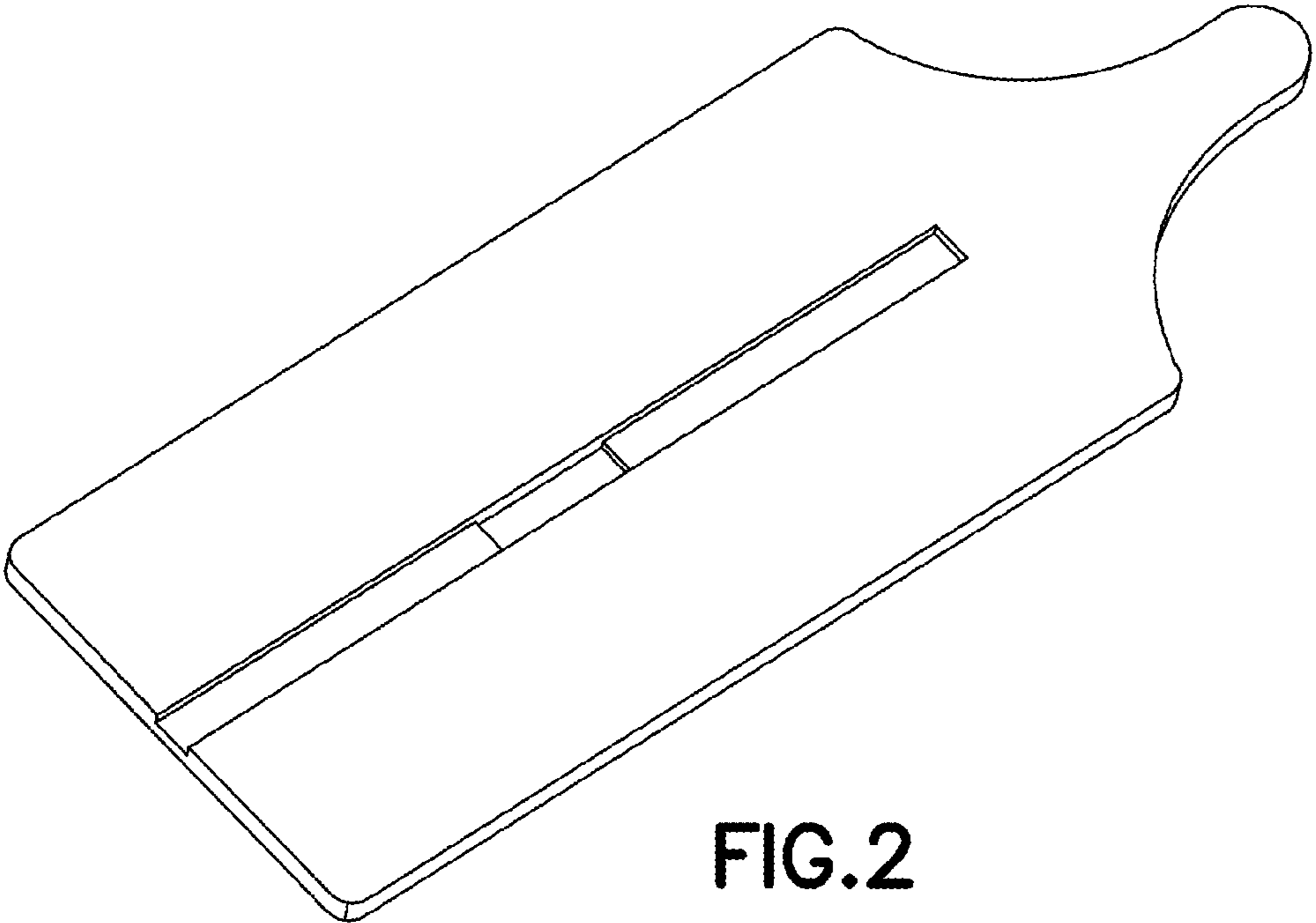


FIG. 2

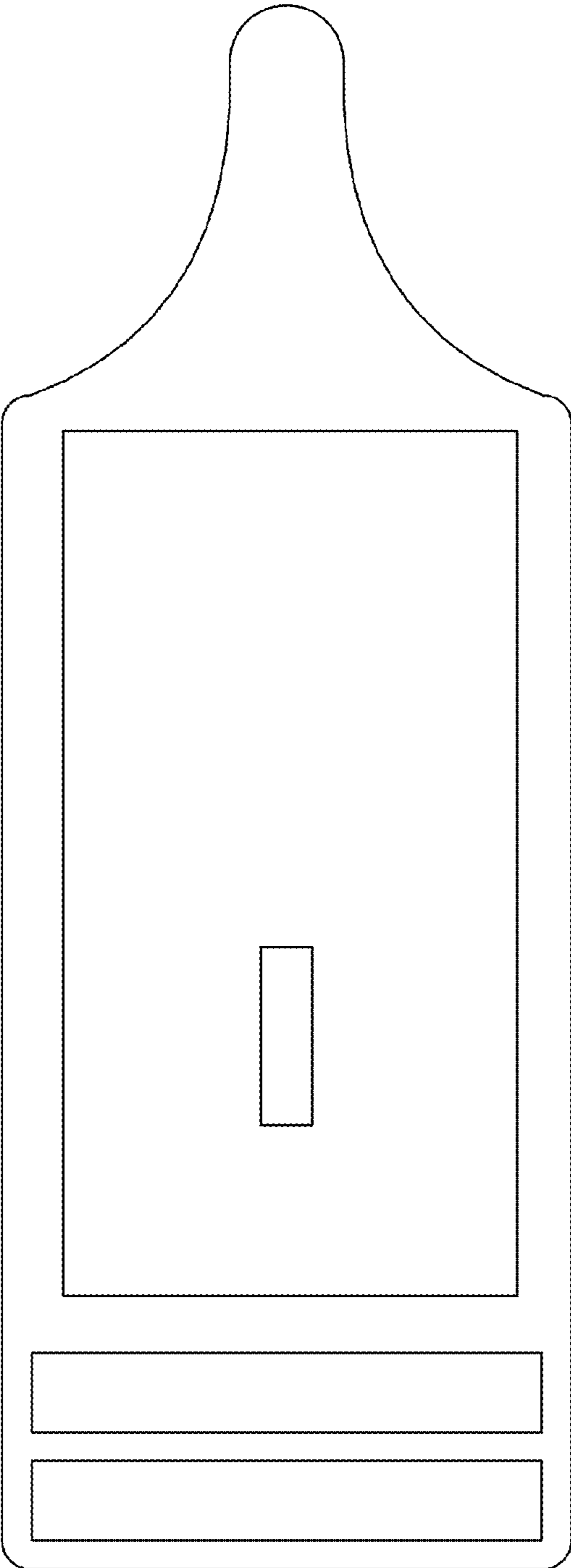


FIG. 3



FIG. 4

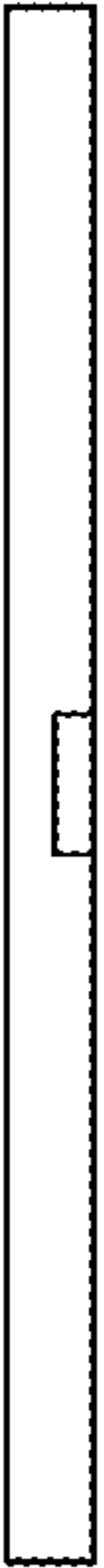


FIG. 5



FIG. 6



FIG. 7

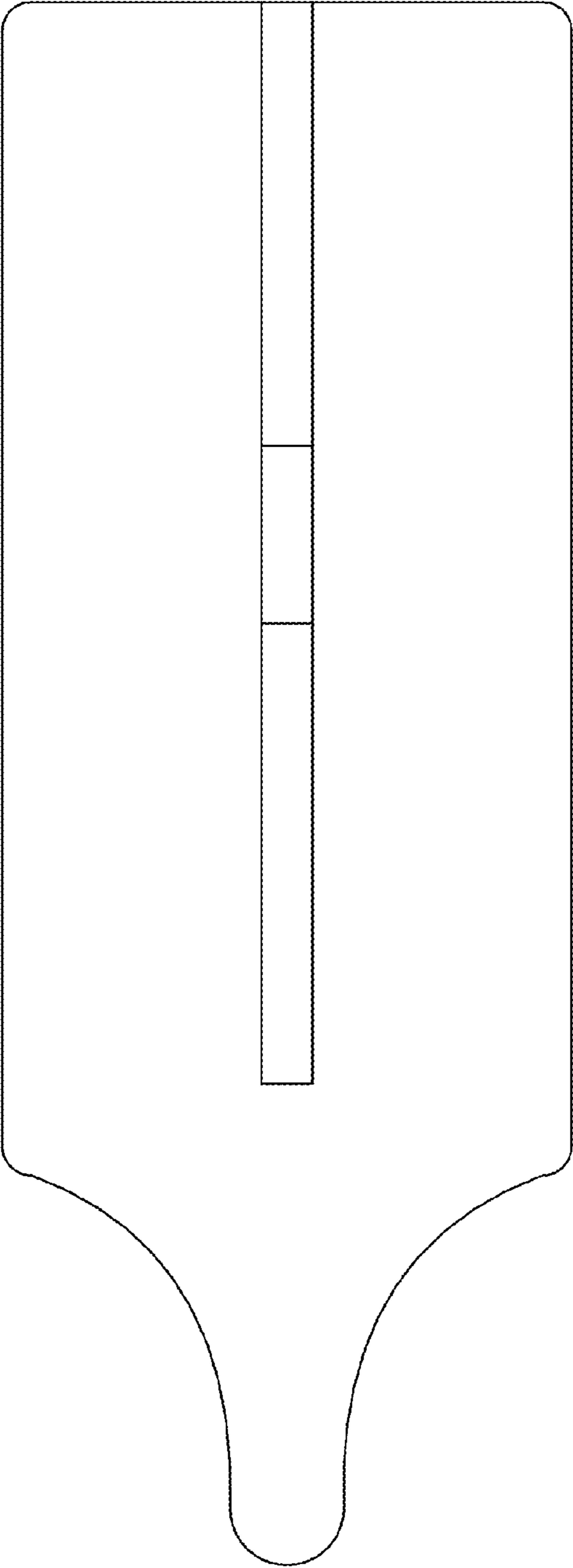


FIG. 8