

US00D758605S

(12) **United States Design Patent**  
**Chen**

(10) **Patent No.:** **US D758,605 S**  
(45) **Date of Patent:** **\*\* Jun. 7, 2016**

- (54) **ELECTRONIC MASSAGER**
- (71) Applicant: **Healthmate International, LLC**,  
Kansas City, MO (US)
- (72) Inventor: **Shawn Chen**, Kansas City, MO (US)
- (73) Assignee: **Healthmate International, LLC**,  
Kansas City, MO (US)
- (\*\*) Term: **15 Years**
- (21) Appl. No.: **29/531,580**
- (22) Filed: **Jun. 26, 2015**
- (51) **LOC (10) Cl.** ..... **28-03**
- (52) **U.S. Cl.**  
USPC ..... **D24/215**
- (58) **Field of Classification Search**  
USPC ..... D24/200, 211, 212, 213, 214, 215, 189,  
D24/176, 190-192, 177, 186, 232; 601/19,  
601/27-32, 46, 49, 52, DIG. 12, DIG. 14,  
601/DIG. 15, DIG. 16, DIG. 17, 48;  
D30/160; D14/218  
CPC ..... A61H 2201/0153; A61H 2201/0207;  
A61H 2201/0263; A61H 2201/0111; A61H  
2201/1253; A61H 2205/082; A61H 2205/085;  
A61H 15/0085; A61H 19/00; A61H 19/30;  
A61H 19/32; A61H 19/40; A61H 19/44;  
A61H 19/50  
See application file for complete search history.

D390,666 S *	2/1998	Lagerlof .....	D24/186
D391,949 S	3/1998	Munson	
5,748,927 A	5/1998	Stein et al.	
D395,297 S	6/1998	Cheng et al.	
5,781,190 A	7/1998	Gorbet et al.	
D398,298 S	9/1998	Giordano, III	
D399,196 S	10/1998	Arora et al.	
D400,262 S	10/1998	Hirakawa et al.	
D406,847 S	3/1999	Gerba et al.	
6,016,484 A	1/2000	Williams et al.	
D421,251 S	2/2000	Haitani et al.	
D422,990 S	4/2000	Bright et al.	
D422,991 S	4/2000	Regan et al.	
D434,421 S	11/2000	Hanley et al.	
D434,422 S	11/2000	Thomas et al.	
D440,228 S	4/2001	Schmidt et al.	
6,389,319 B1	5/2002	Lee	
D482,042 S	11/2003	Peters	
D482,043 S	11/2003	Peters	
D487,592 S	3/2004	Chang	
D511,526 S	11/2005	Totten et al.	
D515,072 S	2/2006	Lee	
D517,531 S	3/2006	Lai	
D520,495 S	5/2006	Dukerschein et al.	

(Continued)

*Primary Examiner* — Sandra Snapp  
(74) *Attorney, Agent, or Firm* — Erickson Kernell  
Derousseau & Kleypas, LLC

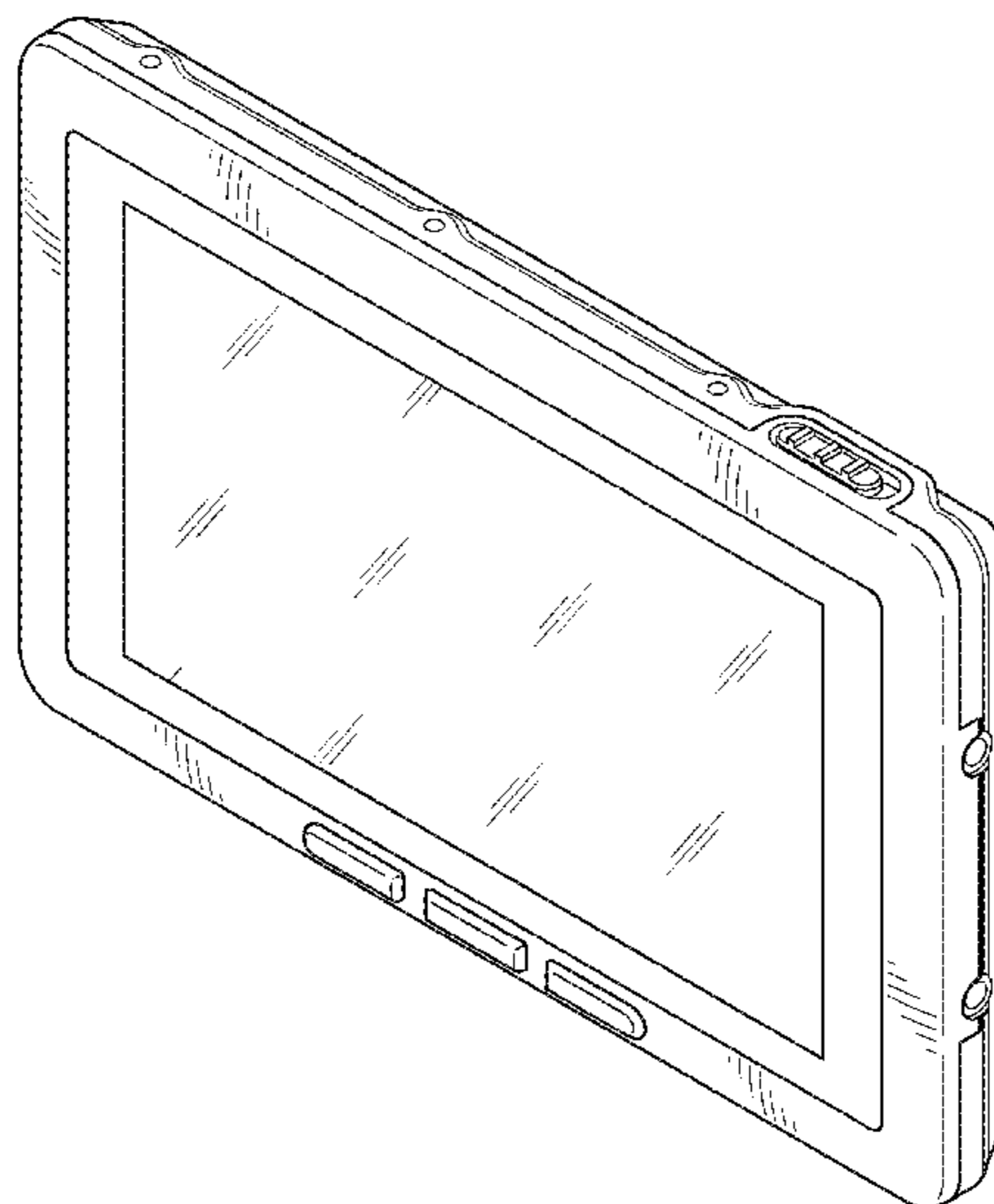
(57) **CLAIM**  
The ornamental design for an electronic massager, as shown  
and described.

**DESCRIPTION**

FIG. 1 a perspective view of an electronic massager showing  
my new design;  
FIG. 2 is a front view thereof;  
FIG. 3 is a back view thereof;  
FIG. 4 is a left side view thereof.  
FIG. 5 is a right side view thereof.  
FIG. 6 is a top view thereof; and,  
FIG. 7 is a bottom view thereof.

**1 Claim, 3 Drawing Sheets**

- (56) **References Cited**  
U.S. PATENT DOCUMENTS
- 3,234,933 A 2/1966 Martin
- 4,635,049 A 1/1987 Dodge et al.
- 4,649,513 A 3/1987 Martin et al.
- D341,848 S 11/1993 Bigelow et al.
- 5,428,734 A 6/1995 Haynes et al.
- 5,481,665 A 1/1996 Okada et al.
- D385,870 S 11/1997 Thomas



(56)

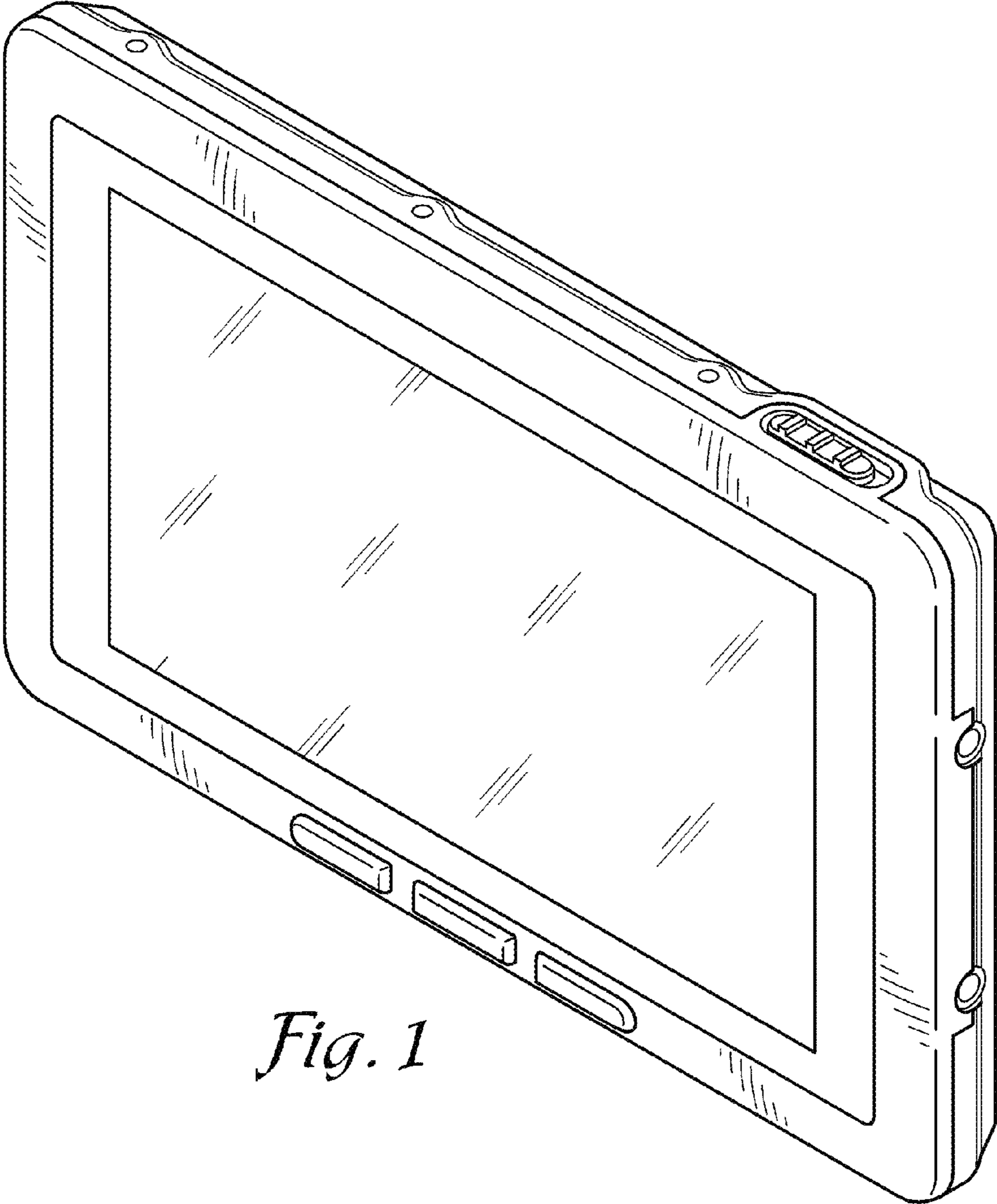
**References Cited**

U.S. PATENT DOCUMENTS

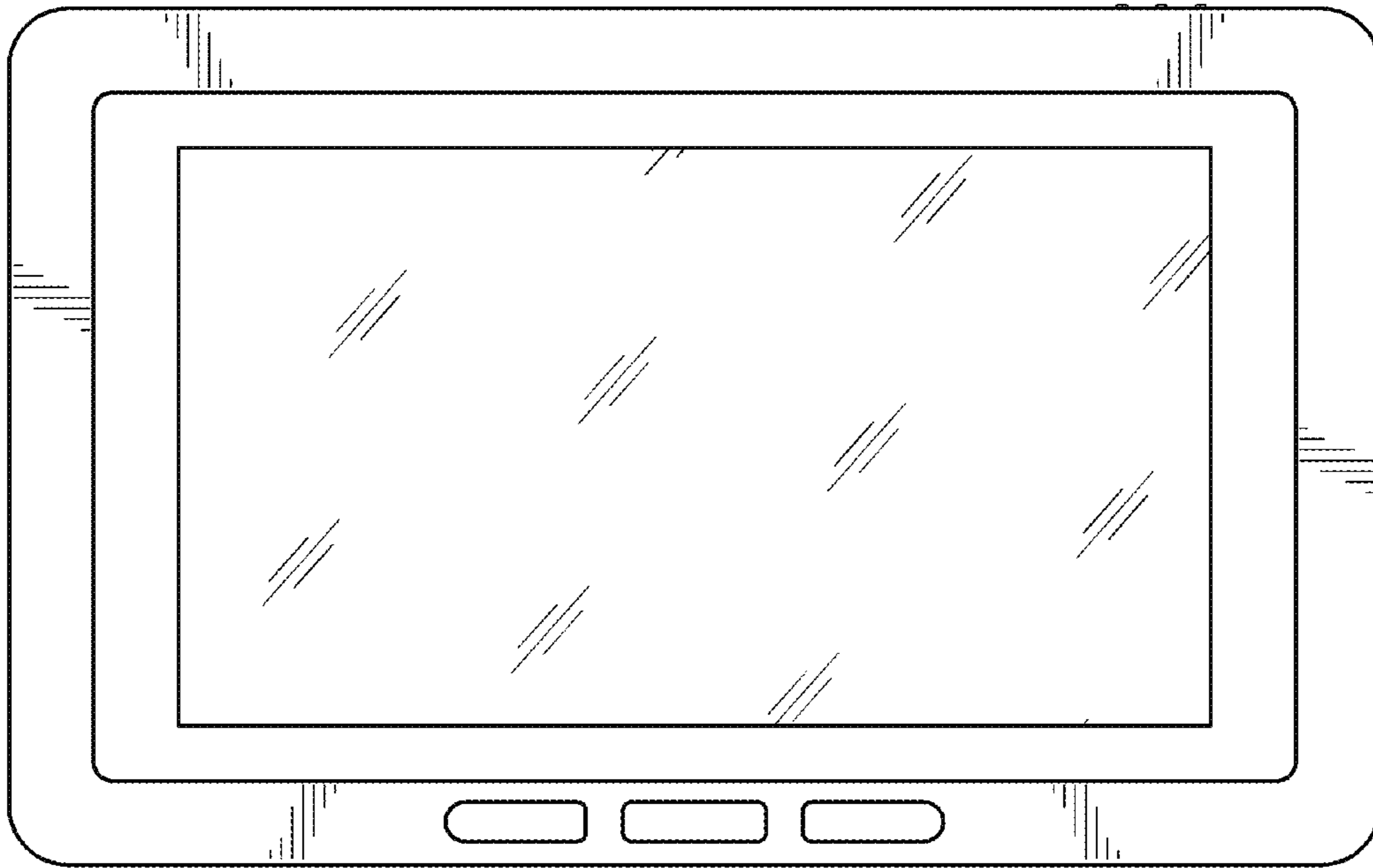
D520,988 S 5/2006 Miller  
D539,917 S 4/2007 Park  
D544,871 S 6/2007 Lim et al.  
D546,836 S 7/2007 Armstrong et al.  
D548,244 S 8/2007 Fletcher  
D550,246 S 9/2007 Jewitt et al.  
D550,685 S 9/2007 Seo et al.  
D550,700 S 9/2007 Griffith  
D552,123 S 10/2007 Niiijima  
D557,277 S 12/2007 Jewitt et al.

D563,985 S 3/2008 Jewitt et al.  
D563,986 S 3/2008 Lettau et al.  
D566,724 S 4/2008 Pieratt et al.  
D586,355 S 2/2009 Mori et al.  
D598,109 S \* 8/2009 Collins ..... D24/186  
D599,362 S 9/2009 Danton  
D599,378 S 9/2009 Mays  
D599,817 S 9/2009 Mays  
D629,528 S 12/2010 Adkisson  
D643,936 S \* 8/2011 Oonuma ..... D24/232  
D675,747 S 2/2013 Lyuing  
D676,142 S 2/2013 Chen  
D716,963 S \* 11/2014 Yosef ..... D24/215

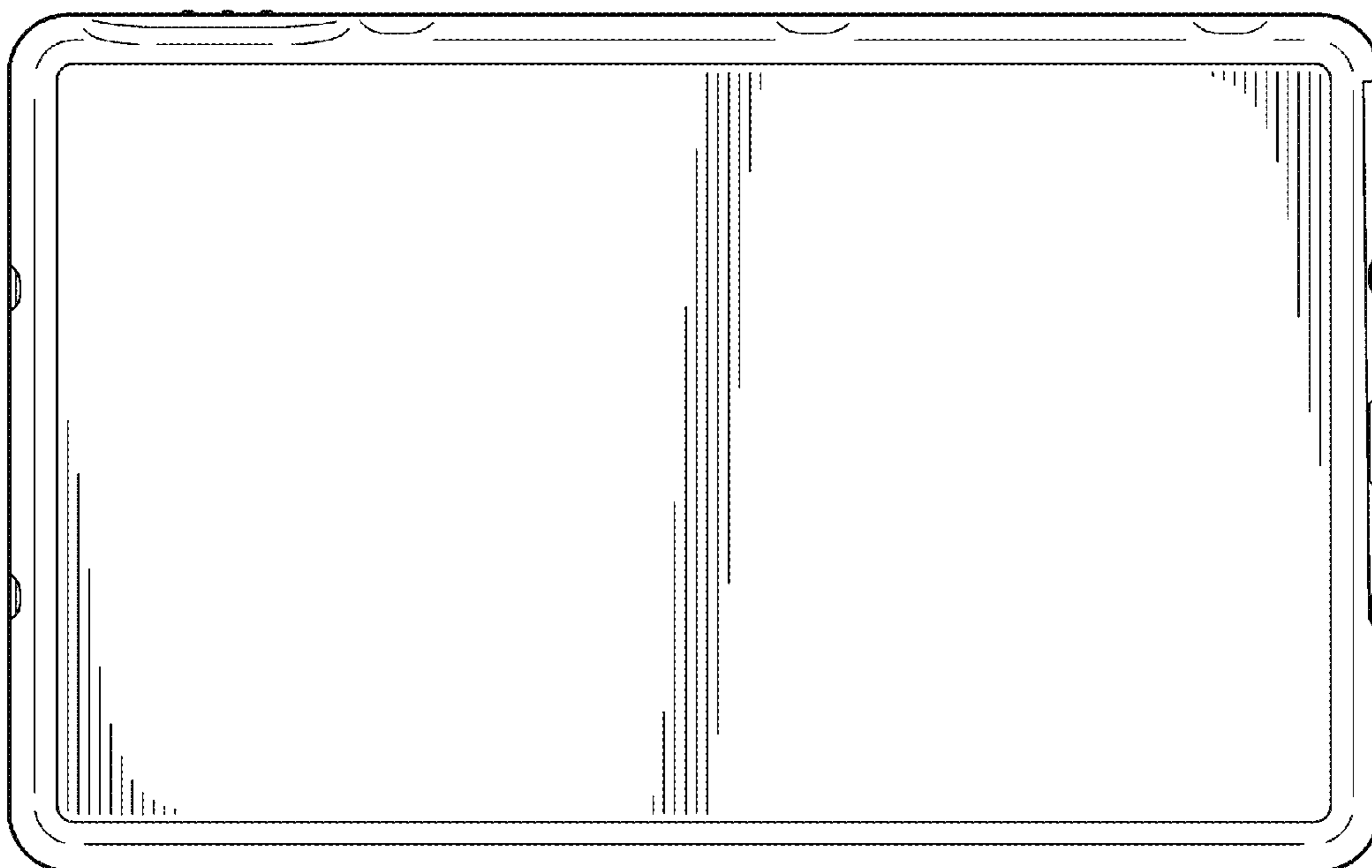
\* cited by examiner



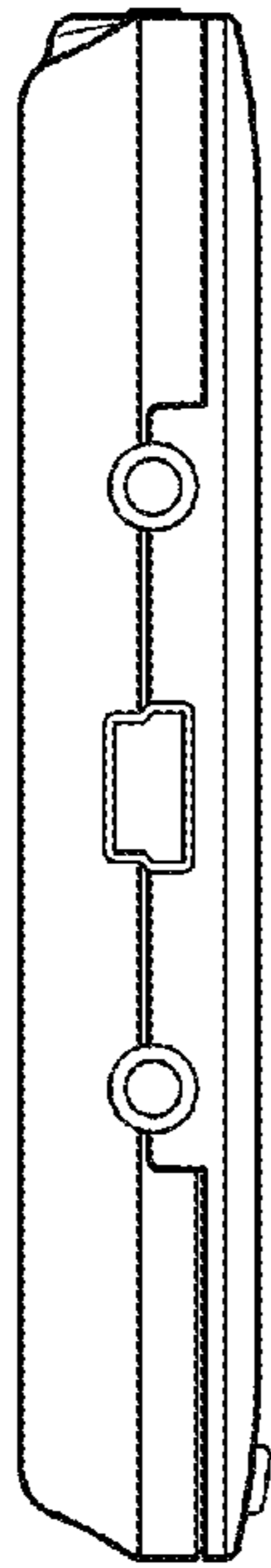
*Fig. 1*



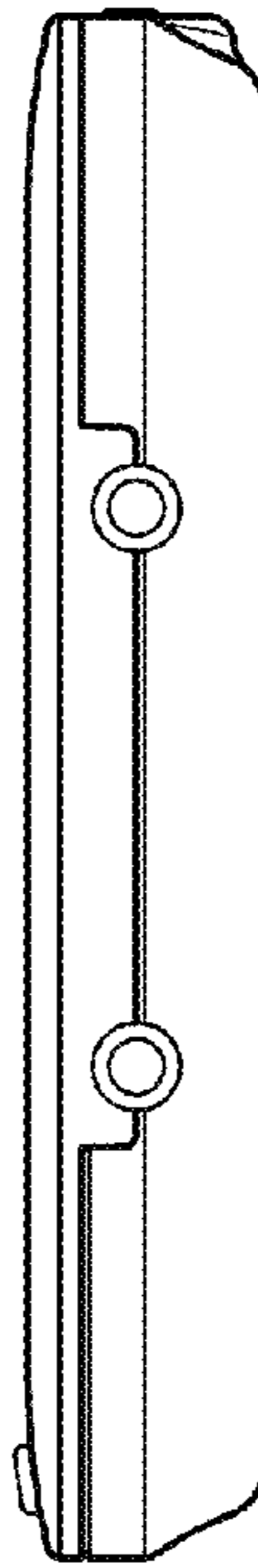
*Fig. 2*



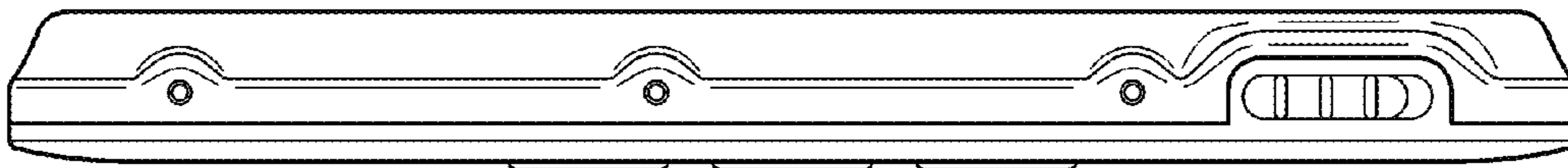
*Fig. 3*



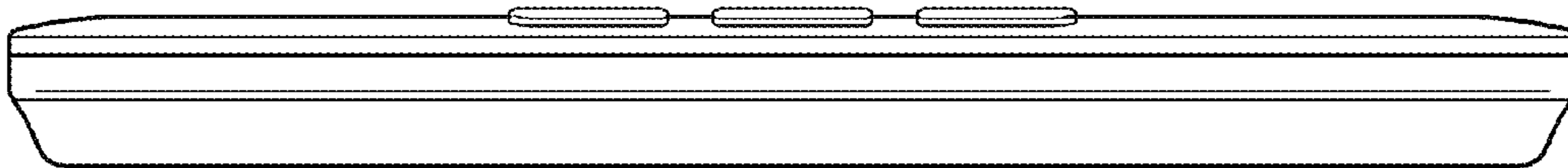
*Fig. 4*



*Fig. 5*



*Fig. 6*



*Fig. 7*