



US00D758602S

(12) **United States Design Patent**  
**Mai**

(10) **Patent No.:** **US D758,602 S**  
(45) **Date of Patent:** **\*\* Jun. 7, 2016**

(54) **PEDICURE SPA**

(71) Applicant: **Tony Thuy X. Mai**, Pearland, TX (US)

(72) Inventor: **Tony Thuy X. Mai**, Pearland, TX (US)

(\*\*) Term: **14 Years**

(21) Appl. No.: **29/519,742**

(22) Filed: **Mar. 6, 2015**

(51) **LOC (10) Cl.** ..... **28-03**

(52) **U.S. Cl.**

USPC ..... **D24/204**

(58) **Field of Classification Search**

USPC ..... D24/200–205, 212–213; D28/56, 61;  
D6/336; D21/473–474, 483, 519, 523;  
D23/204; 4/538, 541.1, 541.6, 574.1,  
4/579, 619, 621, 622, 627; 601/30–32,  
601/64, 157–158; 607/44

CPC ..... A47K 3/02; A47K 3/06; A47K 3/022;  
A61H 33/6063; A61H 33/0087; A61H 33/02;  
A61H 33/60; A61H 33/6005; A61H 33/601;  
A61H 35/00; A61H 35/006

See application file for complete search history.

(56) **References Cited**

**U.S. PATENT DOCUMENTS**

D541,060 S \* 4/2007 Fugate ..... D6/335  
D549,999 S \* 9/2007 Fugate ..... D6/708.18  
D566,407 S \* 4/2008 Gay ..... D6/336  
D588,844 S \* 3/2009 Tran ..... D6/708.18  
D589,285 S \* 3/2009 Tran ..... D6/708.18  
D622,858 S \* 8/2010 Jan ..... D24/204

D623,428 S \* 9/2010 Galati, Jr. .... D6/336  
D670,354 S \* 11/2012 Tran ..... D23/204  
D675,704 S \* 2/2013 Niu ..... D23/204  
D701,318 S \* 3/2014 Tran ..... D24/204  
D701,967 S \* 4/2014 Mai ..... D24/204  
D707,836 S \* 6/2014 Long ..... D24/204  
D718,411 S \* 11/2014 Tran ..... D23/204

**OTHER PUBLICATIONS**

T4 Concepts & Designs, LLC, Product Catalog, 2007, T4 Concepts & Designs, LLC, Baton Rouge, LA, USA.

\* cited by examiner

*Primary Examiner* — Catheri Oliver-Garcia

*Assistant Examiner* — Rebekah Caruso

(74) *Attorney, Agent, or Firm* — Buche & Associates, P.C.;  
John K. Buche; Scott D. Compton

(57) **CLAIM**

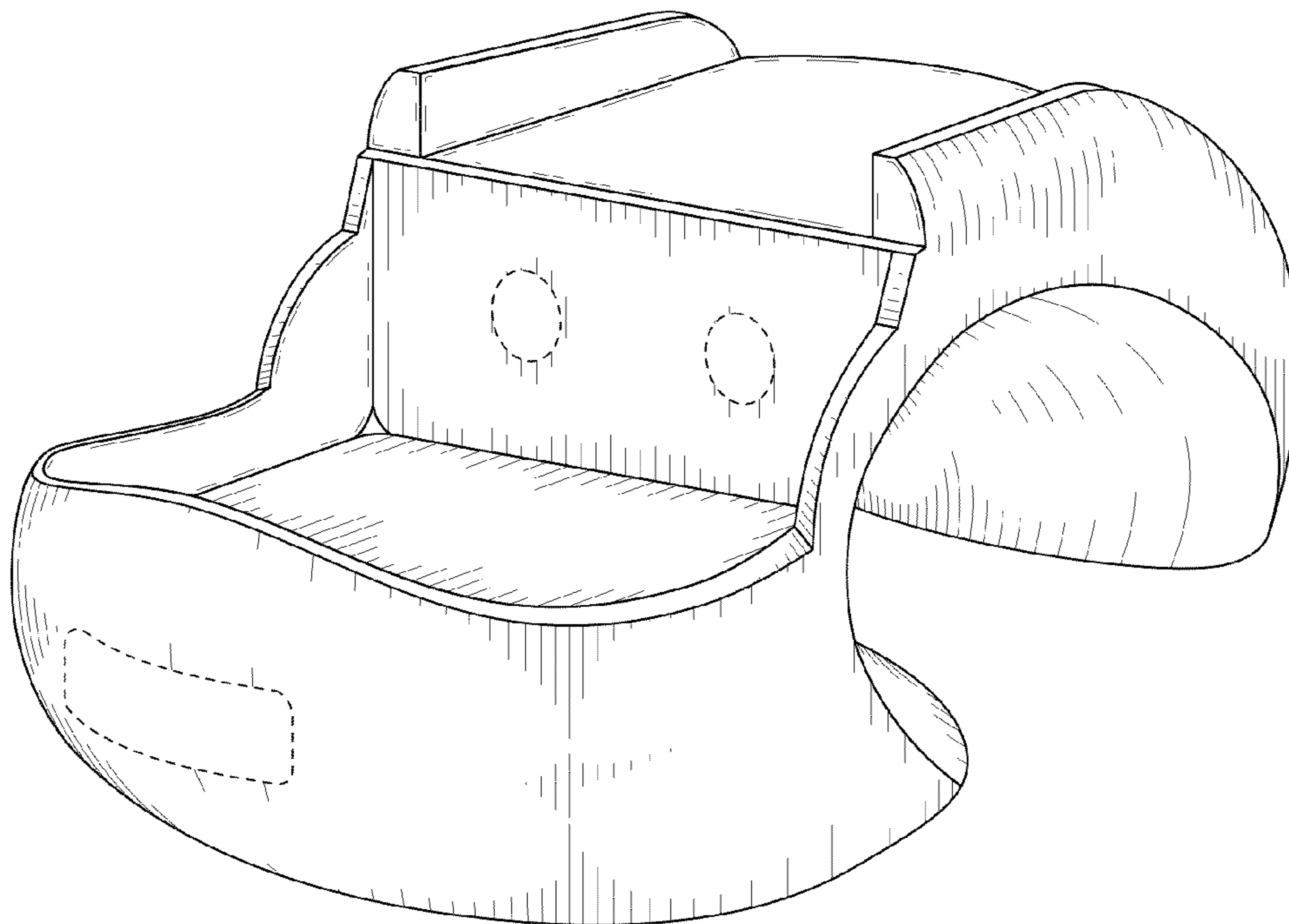
The ornamental design for a pedicure spa, as shown and described.

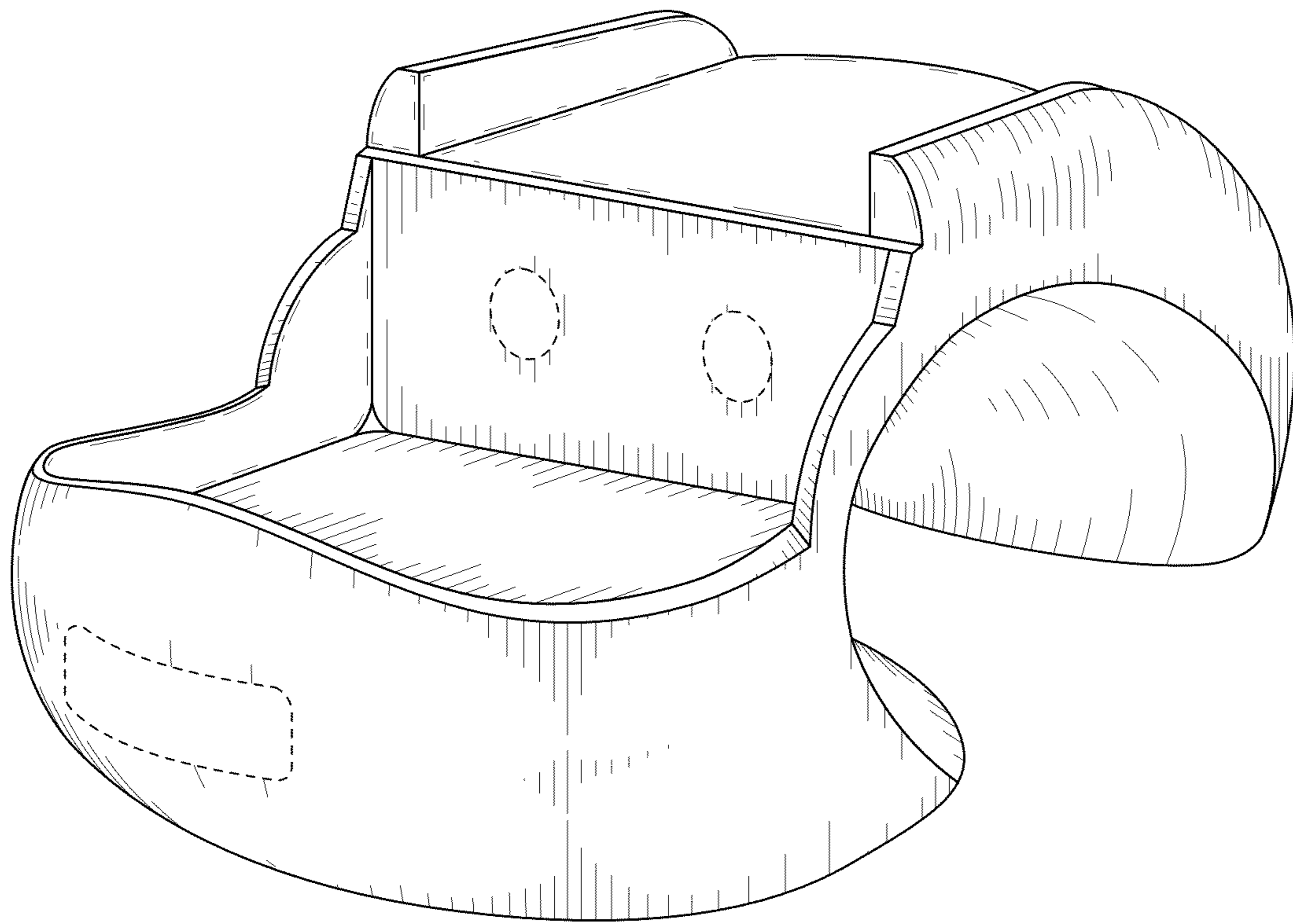
**DESCRIPTION**

FIG. 1 is a front perspective view of a pedicure spa showing my new design;  
FIG. 2 is a left side elevational view thereof;  
FIG. 3 is right side elevational view thereof;  
FIG. 4 is front elevational view thereof;  
FIG. 5 is a back elevational view thereof; and,  
FIG. 6 is a front perspective view of the pedicure spa in its environment.

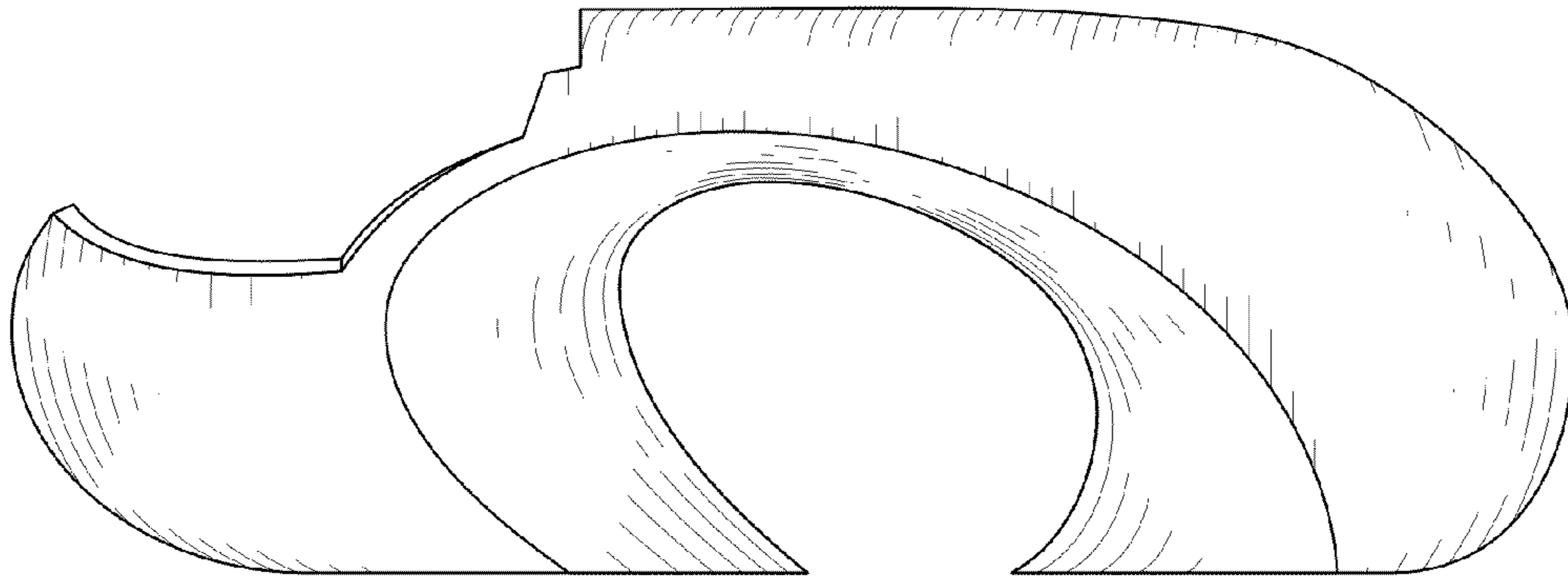
The ornamental design which is claimed is shown in solid lines in the drawings. The broken lines in the drawings depict environmental structure and form no part of the claimed design.

**1 Claim, 3 Drawing Sheets**

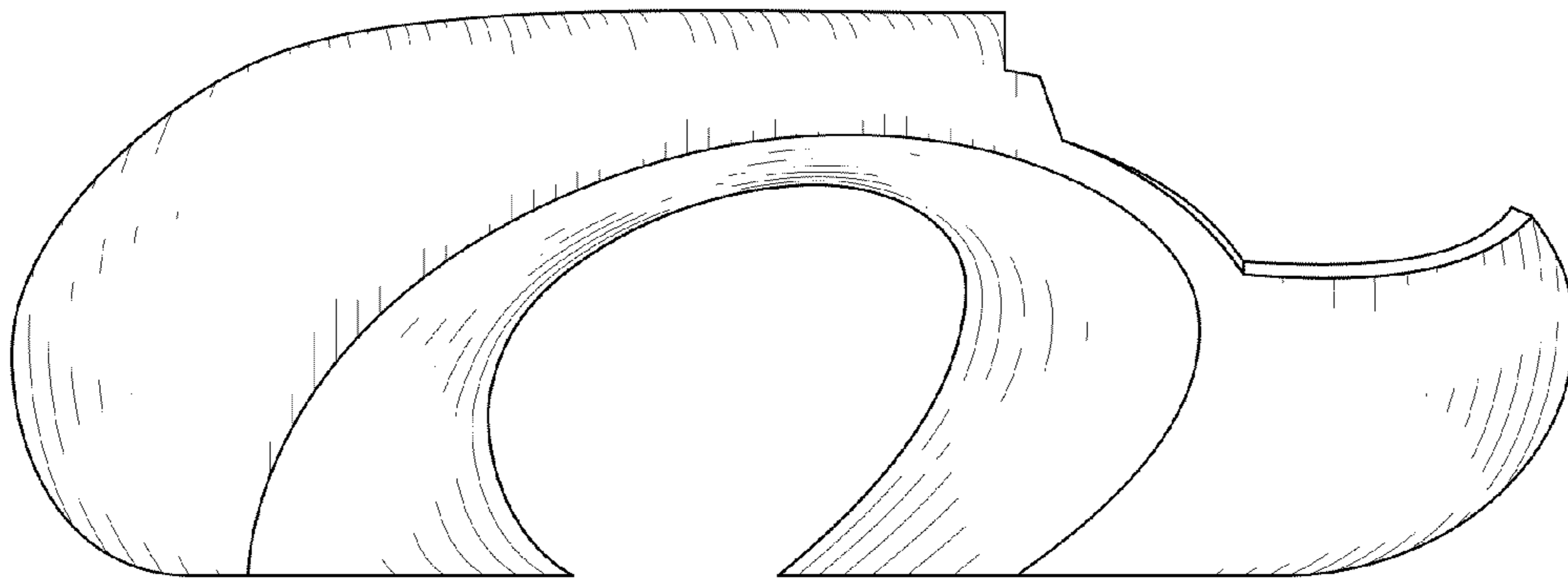




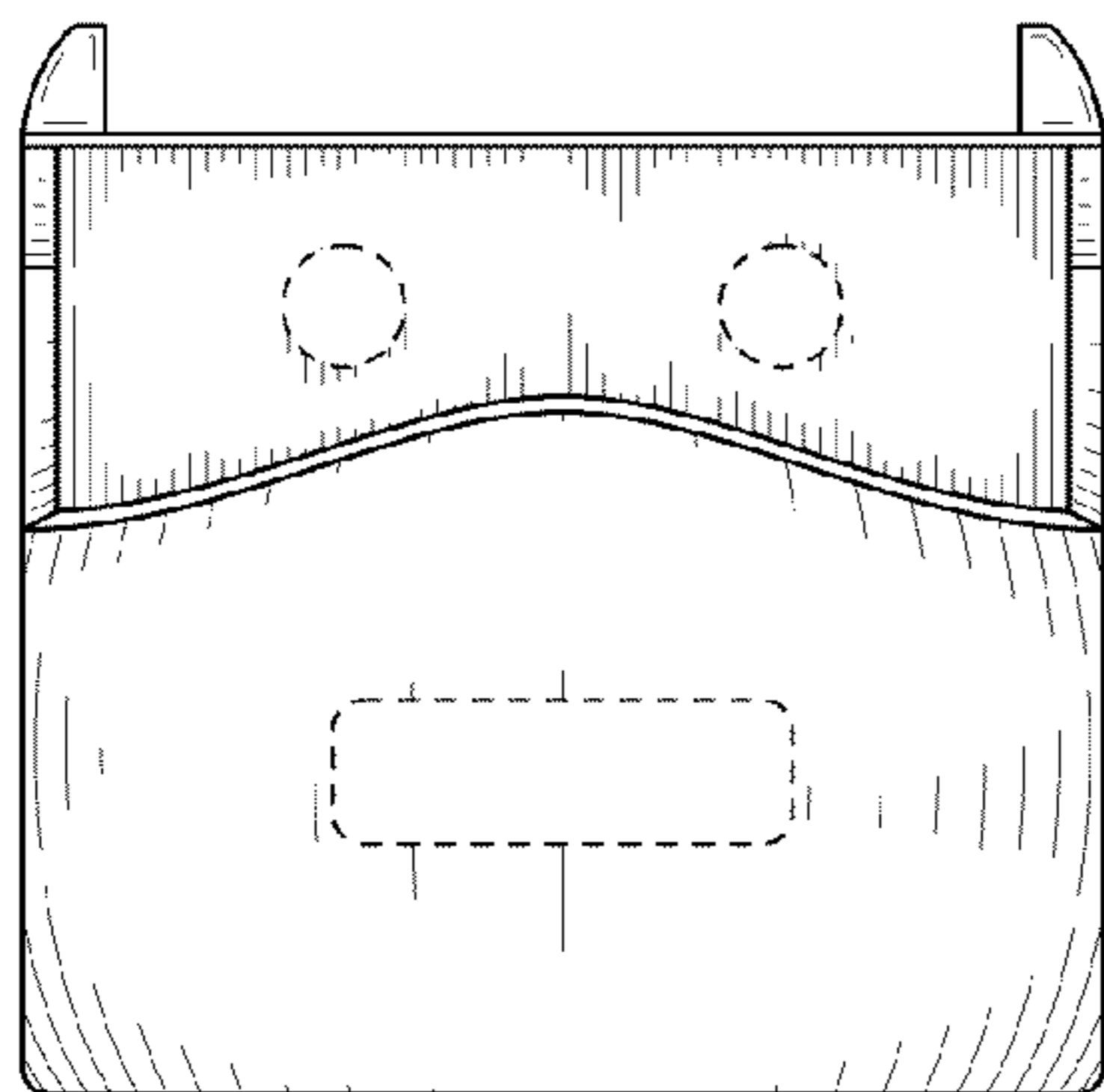
**FIG. 1**



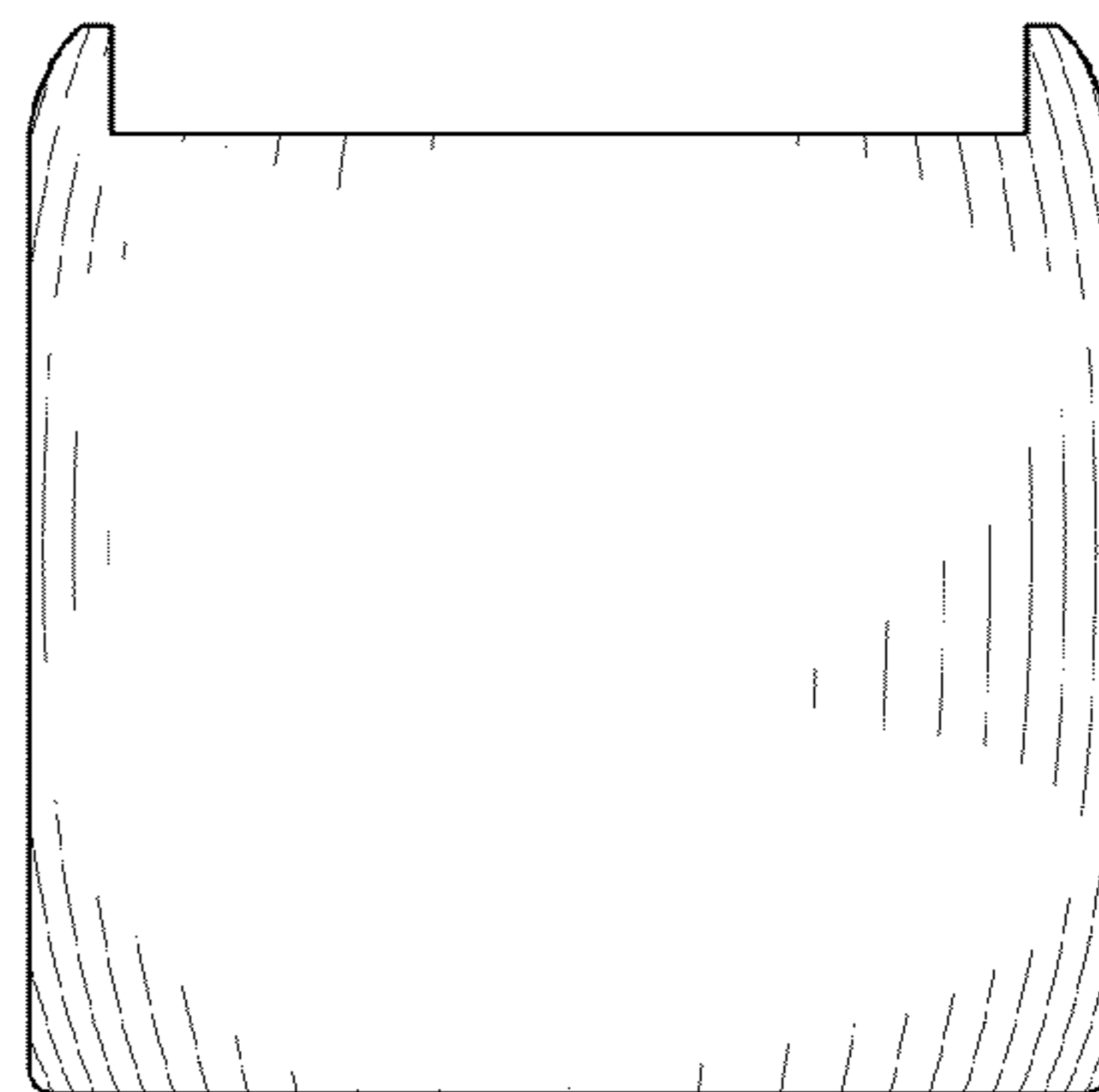
**FIG. 2**



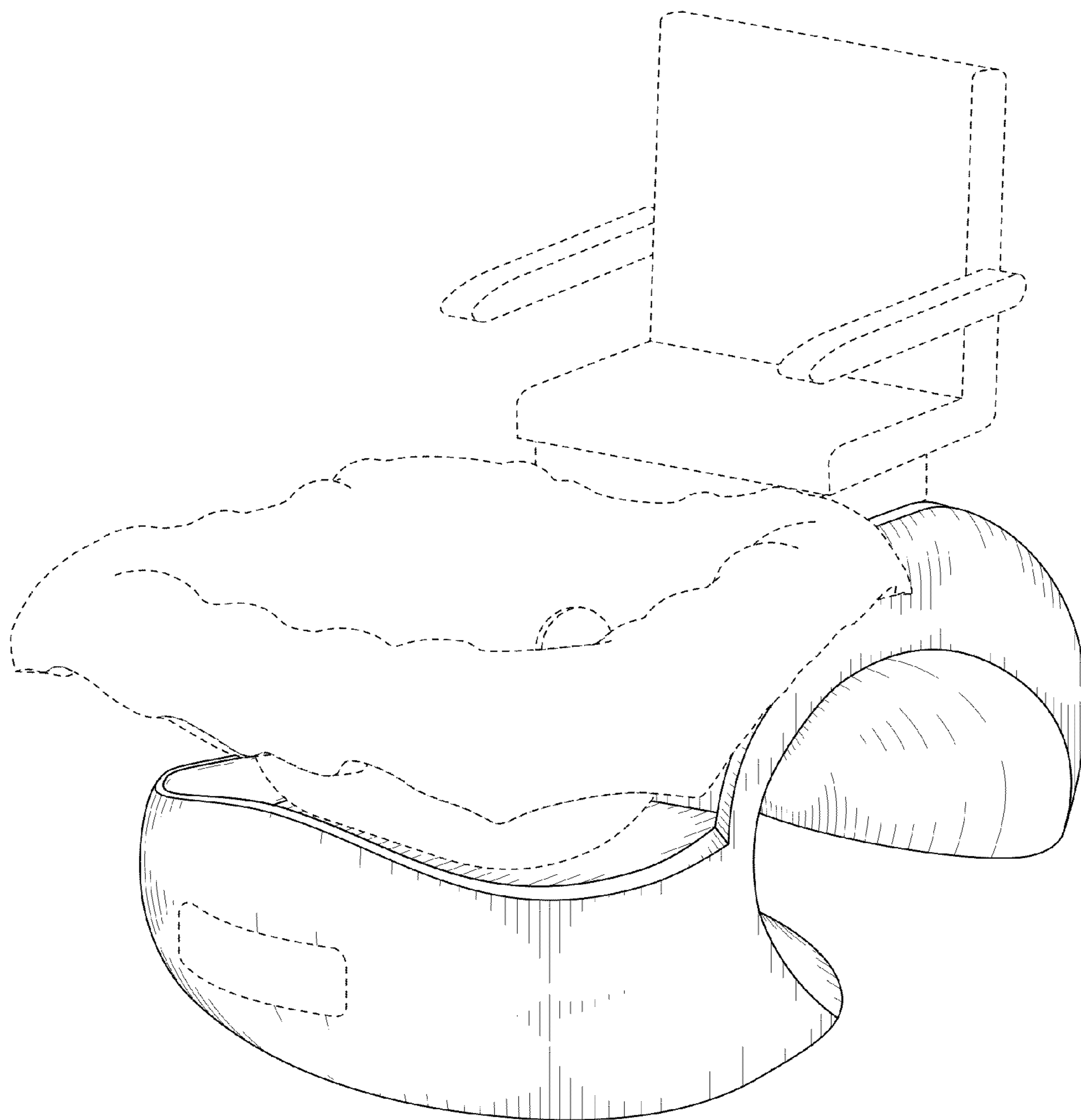
**FIG. 3**



**FIG. 4**



**FIG. 5**



**FIG. 6**