



US00D758595S

(12) **United States Design Patent**
Zhao

(10) **Patent No.:** **US D758,595 S**
(45) **Date of Patent:** **** Jun. 7, 2016**

(54) **ELECTRODE**

(71) Applicant: **CHINA QINGDAO BRIGHT MEDICAL MANUFACTURING CO., LTD.**, Qingdao (CN)

(72) Inventor: **Dezheng Zhao**, Qingdao (CN)

(73) Assignee: **CHINA QINGDAO BRIGHT MEDICAL MANUFACTURING CO., LTD.**, Shandong (CN)

(**) Term: **14 Years**

(21) Appl. No.: **29/491,680**

(22) Filed: **May 22, 2014**

(30) **Foreign Application Priority Data**

Nov. 25, 2013 (CN) 2013 3 0571029

(51) **LOC (10) Cl.** **24-01**

(52) **U.S. Cl.**
USPC **D24/187; D24/167**

(58) **Field of Classification Search**
USPC D24/165-168, 186, 187, 107, 200;
D10/70, 75, 97, 98; 600/301, 382-384,
600/386, 390, 483, 500-503, 508, 509,
600/513; 128/DIG. 15
CPC . A61B 5/0444; A61B 5/0448; A61B 2503/02
See application file for complete search history.

(56) **References Cited**

U.S. PATENT DOCUMENTS

D255,149 S * 5/1980 Bevilacqua D24/187
6,023,631 A * 2/2000 Cartmell A61B 5/0408
439/909

D477,085 S * 7/2003 Sanfilippo D24/187
D495,055 S * 8/2004 Silber D24/187
D558,352 S * 12/2007 Sanfilippo D24/187
D558,882 S * 1/2008 Brady D24/187
D561,900 S * 2/2008 Becci D24/187
D687,152 S * 7/2013 Tilk D24/187

* cited by examiner

Primary Examiner — Anhdao Doan

(74) *Attorney, Agent, or Firm* — Buchanan Ingersoll & Rooney PC

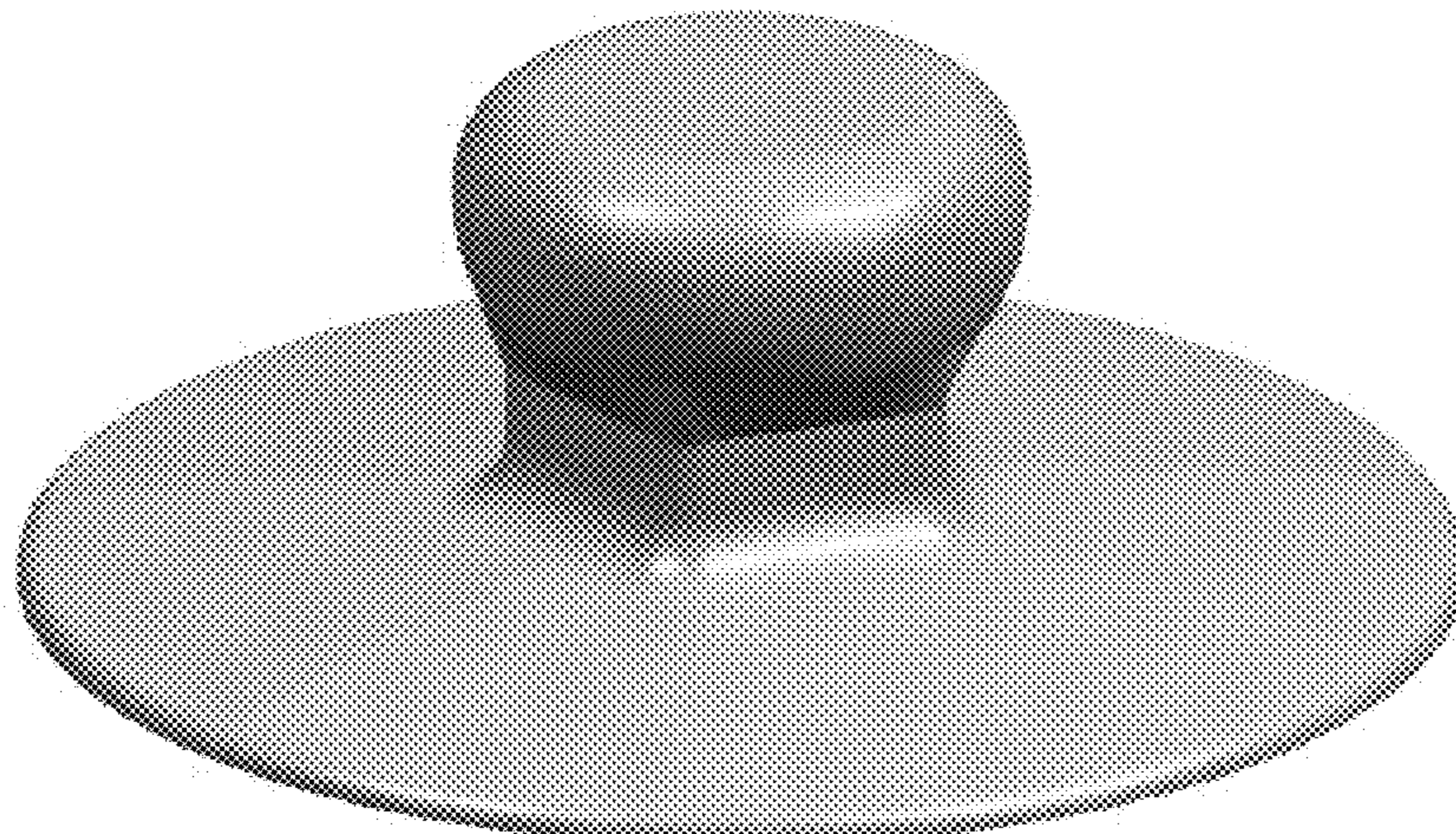
(57) **CLAIM**

The ornamental design for an electrode, as shown and described.

DESCRIPTION

FIG. 1 is a front perspective view of a first embodiment of an electrode showing my new design.
FIG. 2 is a rear elevational view thereof.
FIG. 3 is a front elevational view thereof.
FIG. 4 is a left side elevational view thereof.
FIG. 5 is a right side elevational view thereof.
FIG. 6 is a bottom plan view thereof.
FIG. 7 is a top plan view thereof.
FIG. 8 is a front perspective view of a second embodiment of an electrode showing my new design.
FIG. 9 is a rear elevational view thereof.
FIG. 10 is a front elevational view thereof.
FIG. 11 is a left side elevational view thereof.
FIG. 12 is a right side elevational view thereof.
FIG. 13 is a bottom plan view thereof; and,
FIG. 14 is a top plan view thereof.

1 Claim, 14 Drawing Sheets



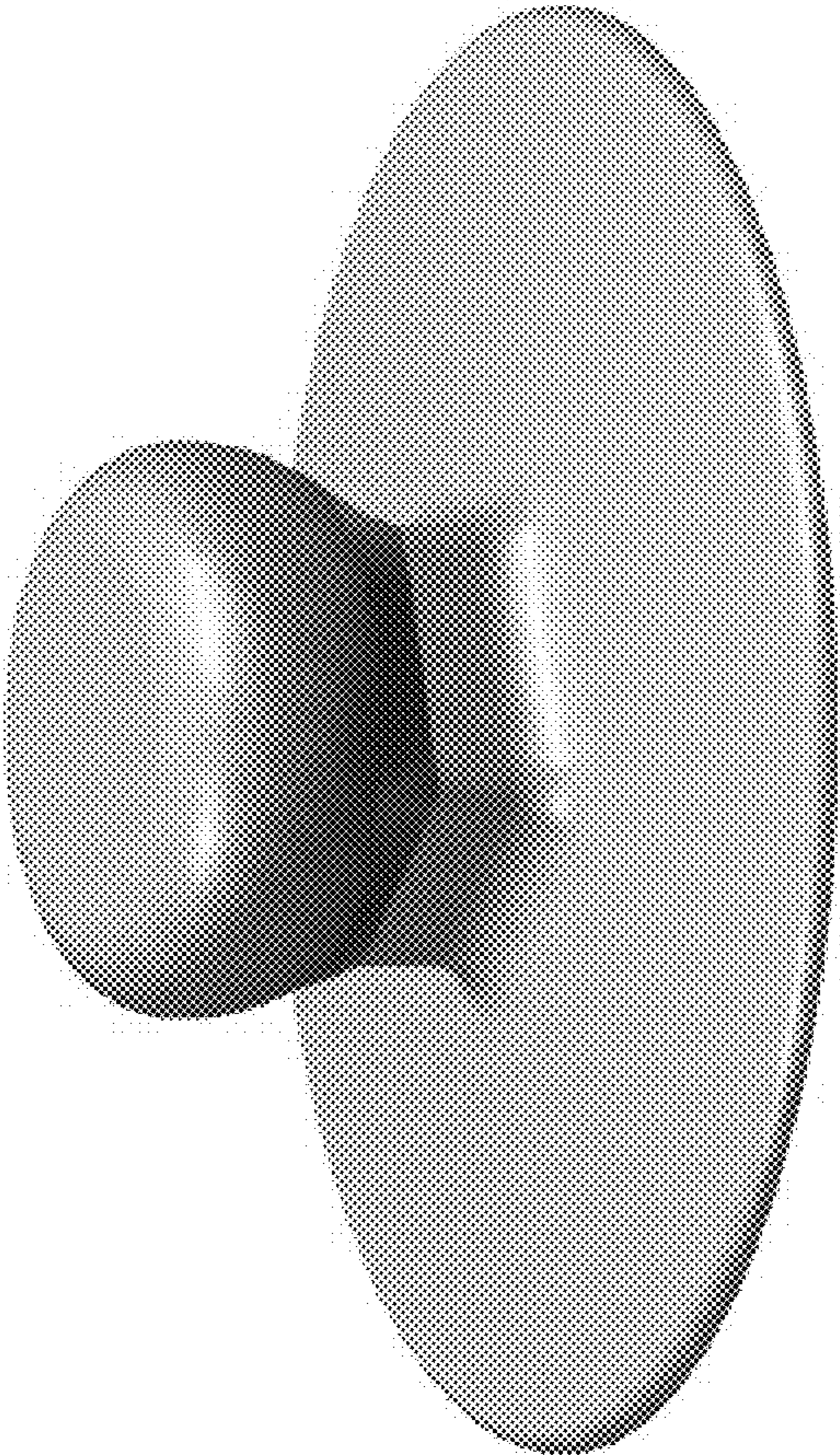


FIG. 1

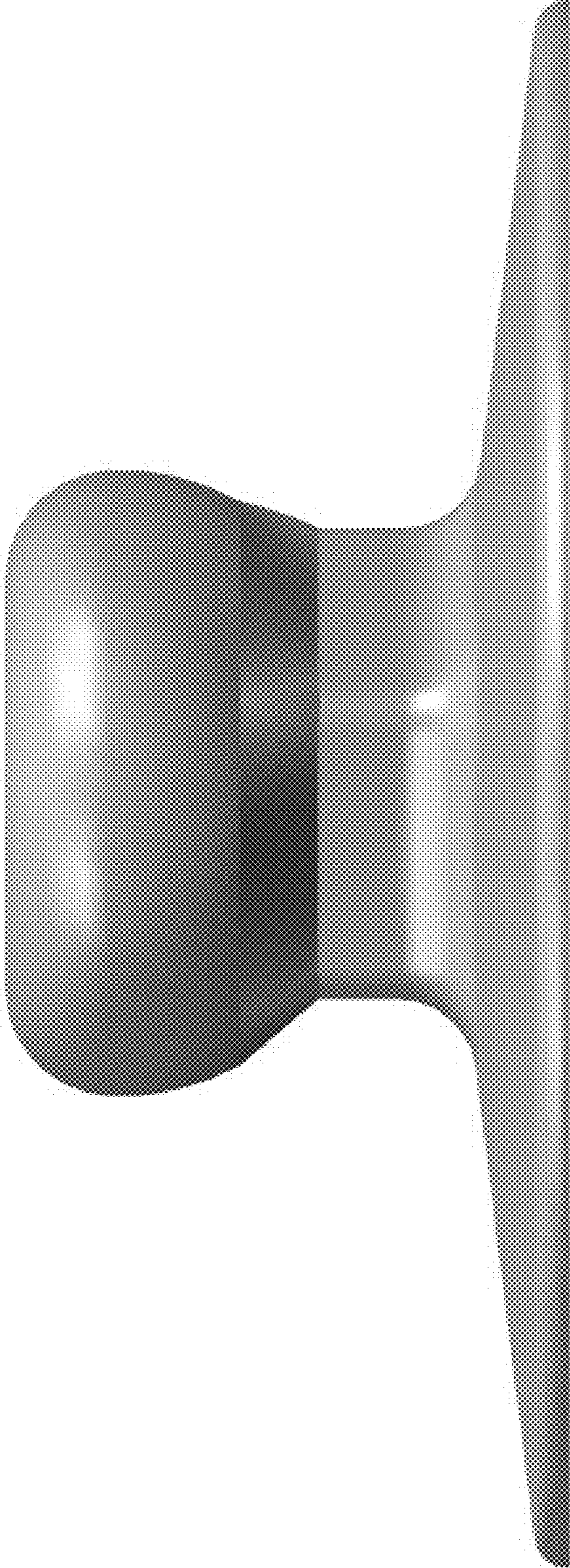


FIG. 2

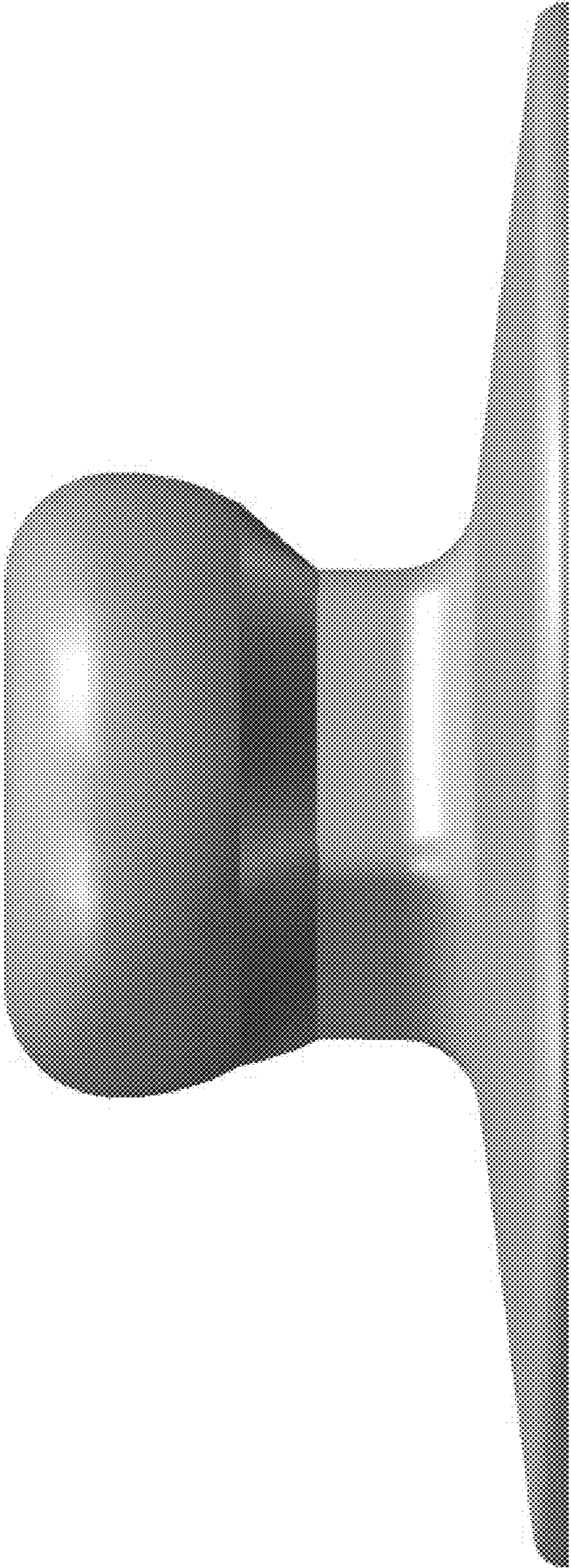


FIG. 3

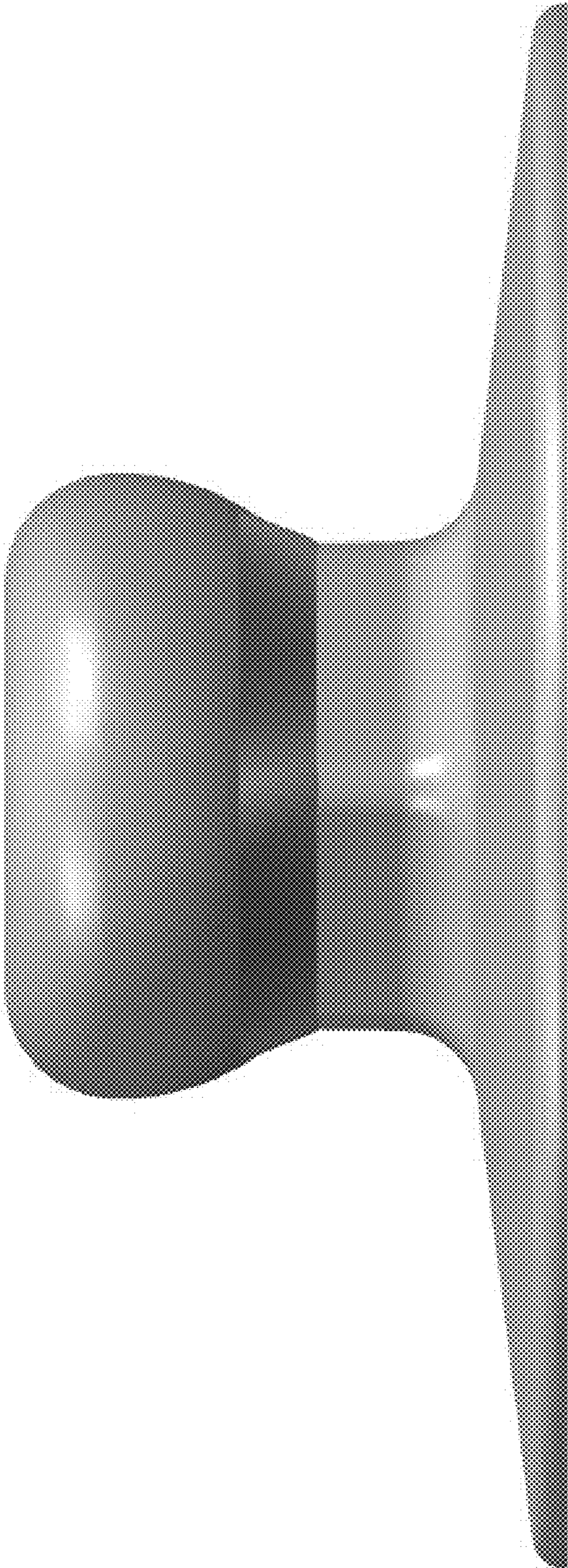


FIG. 4

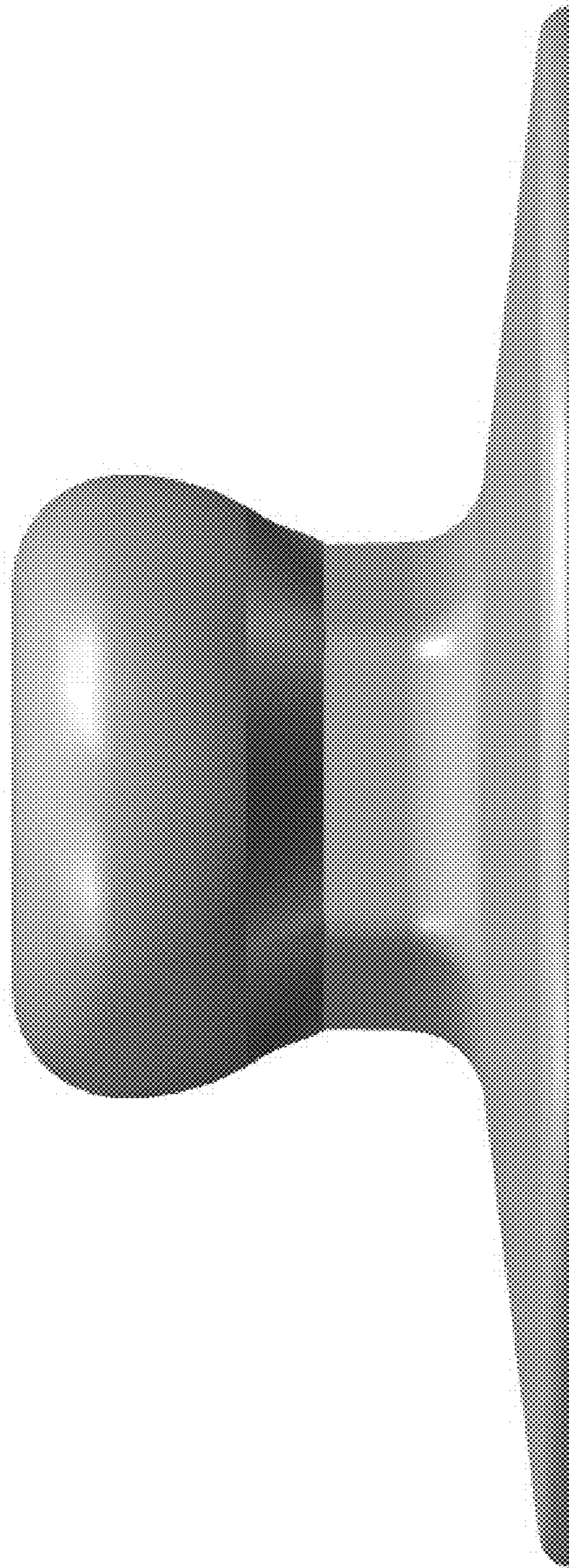


FIG. 5

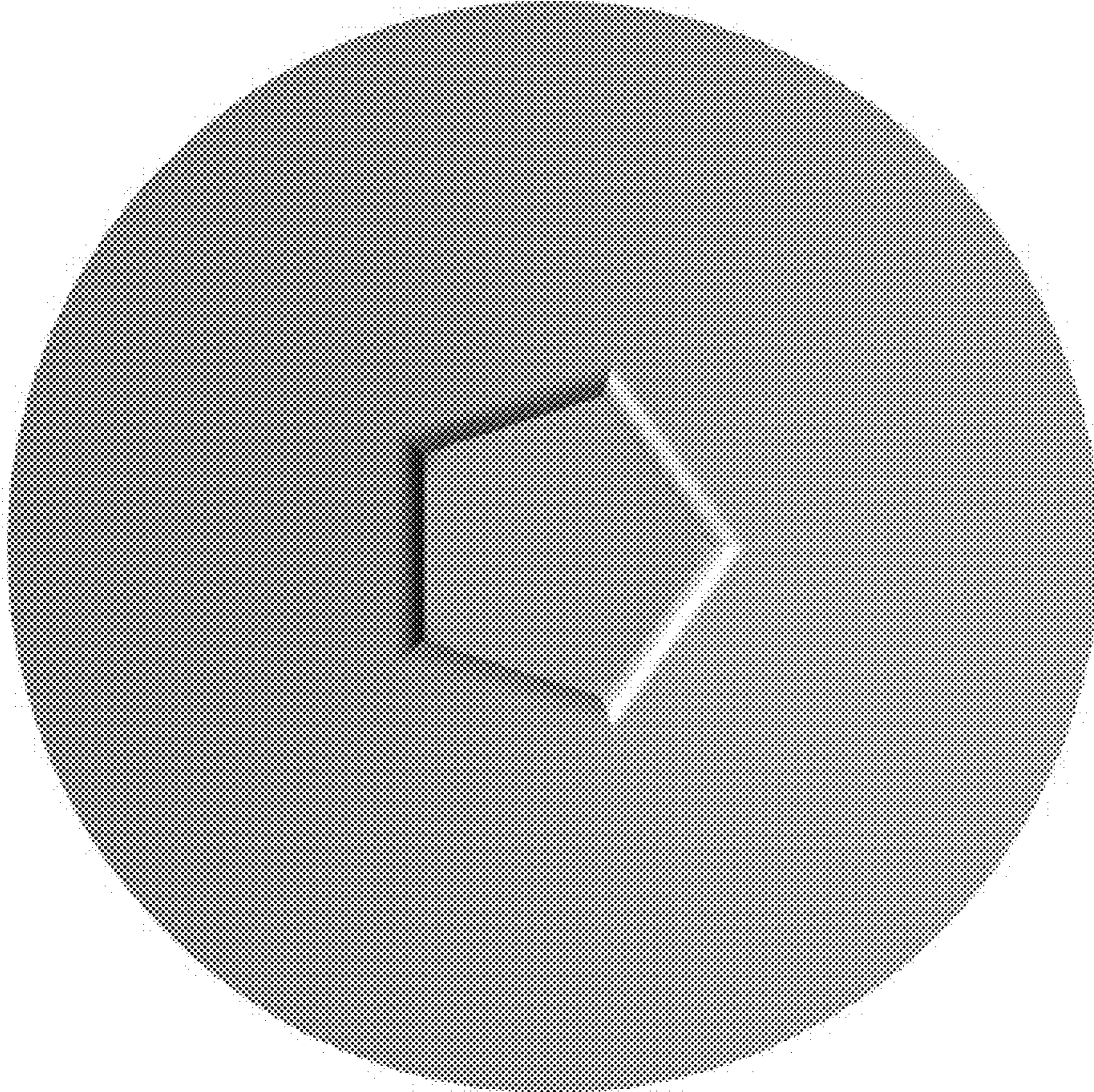


FIG. 6

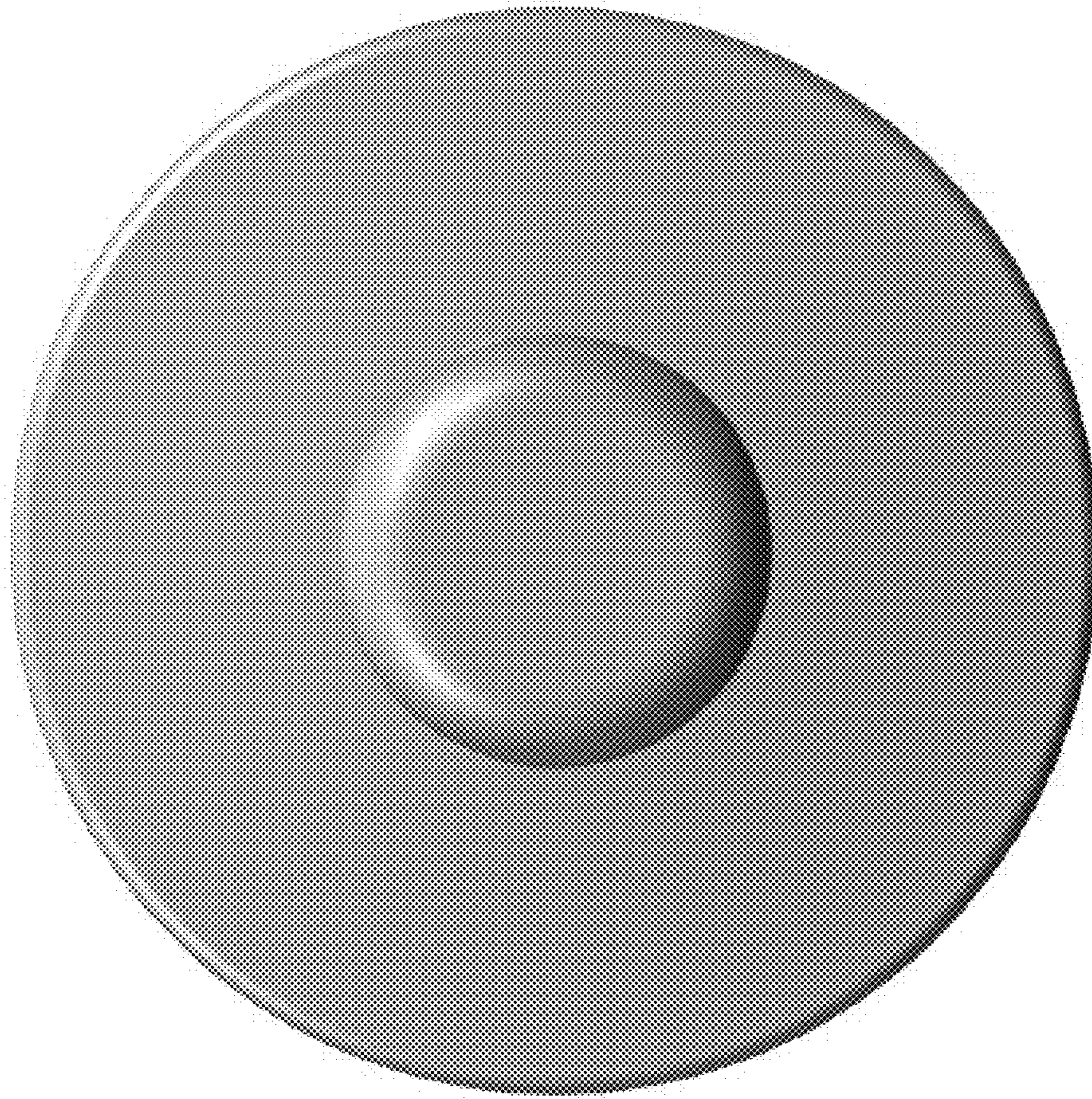


FIG. 7

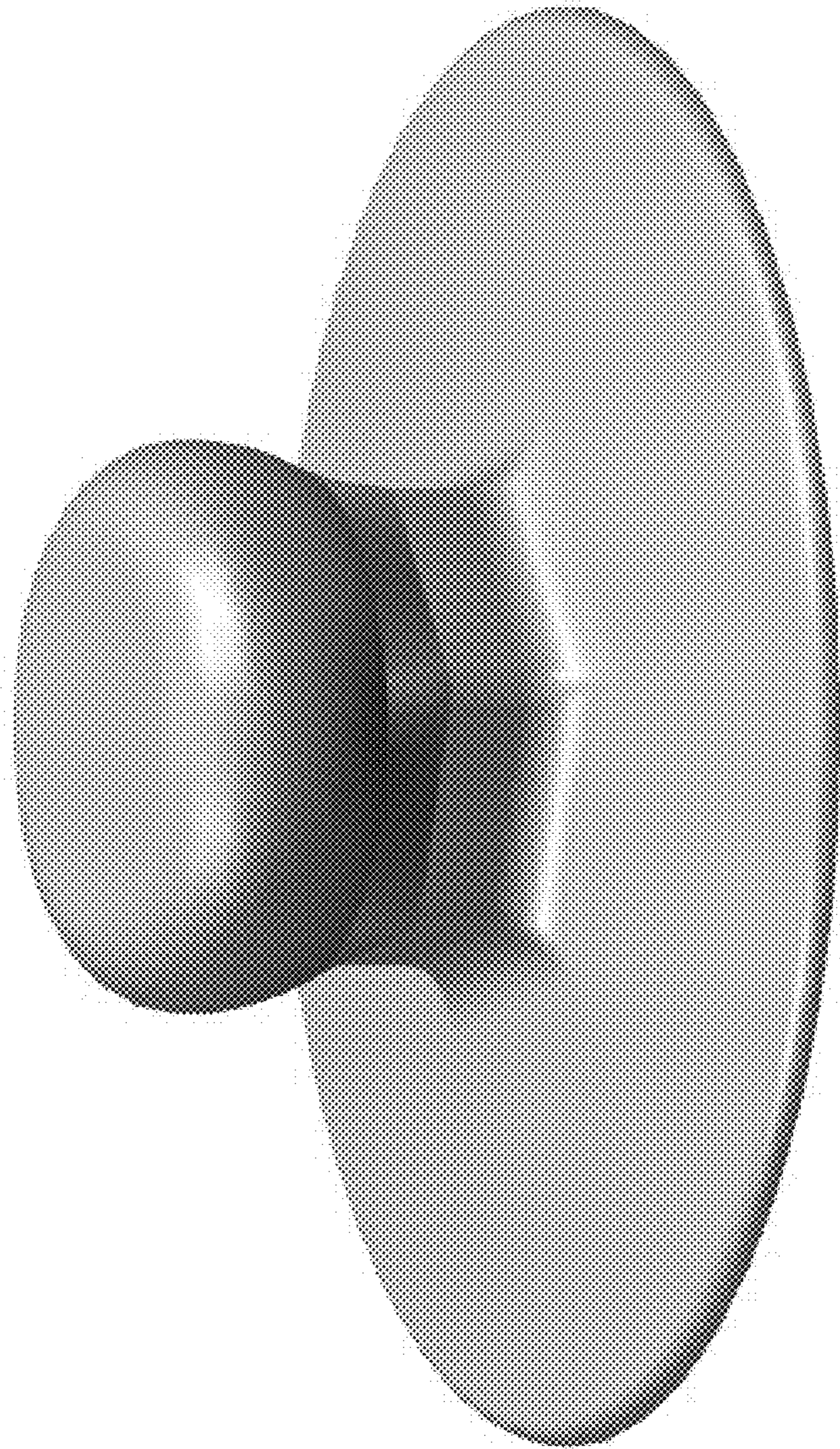


FIG. 8

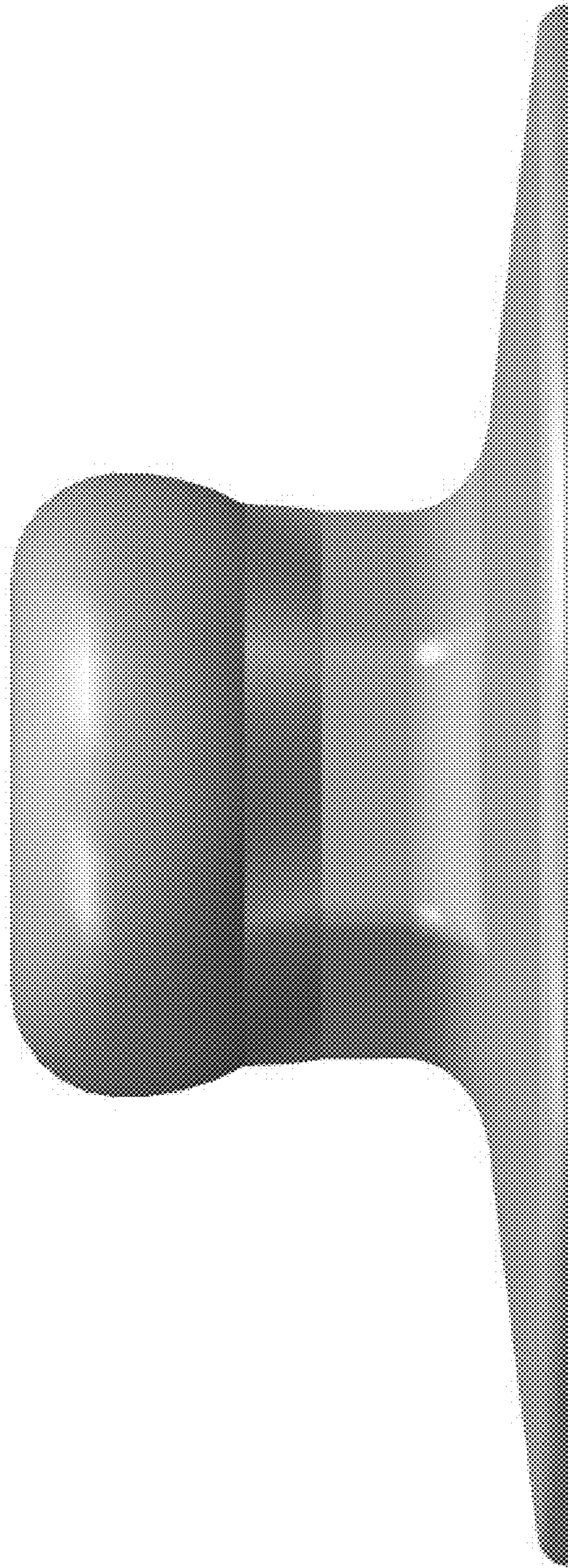


FIG. 9

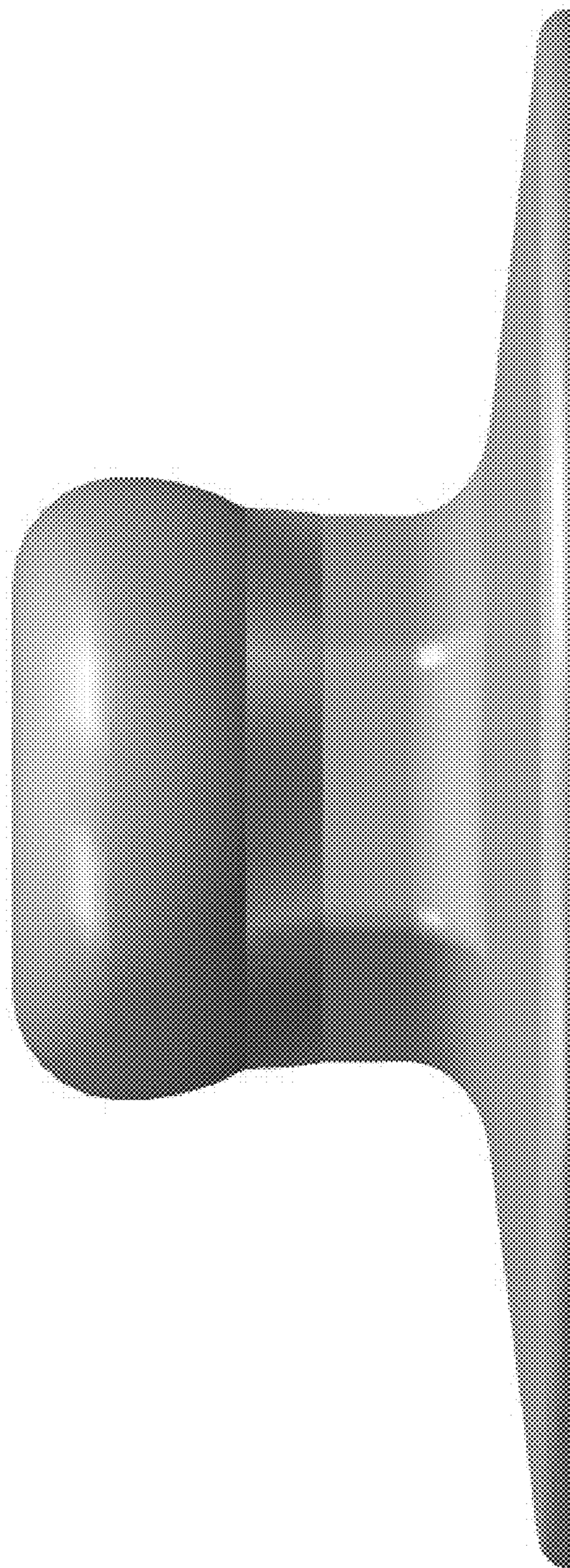


FIG. 10

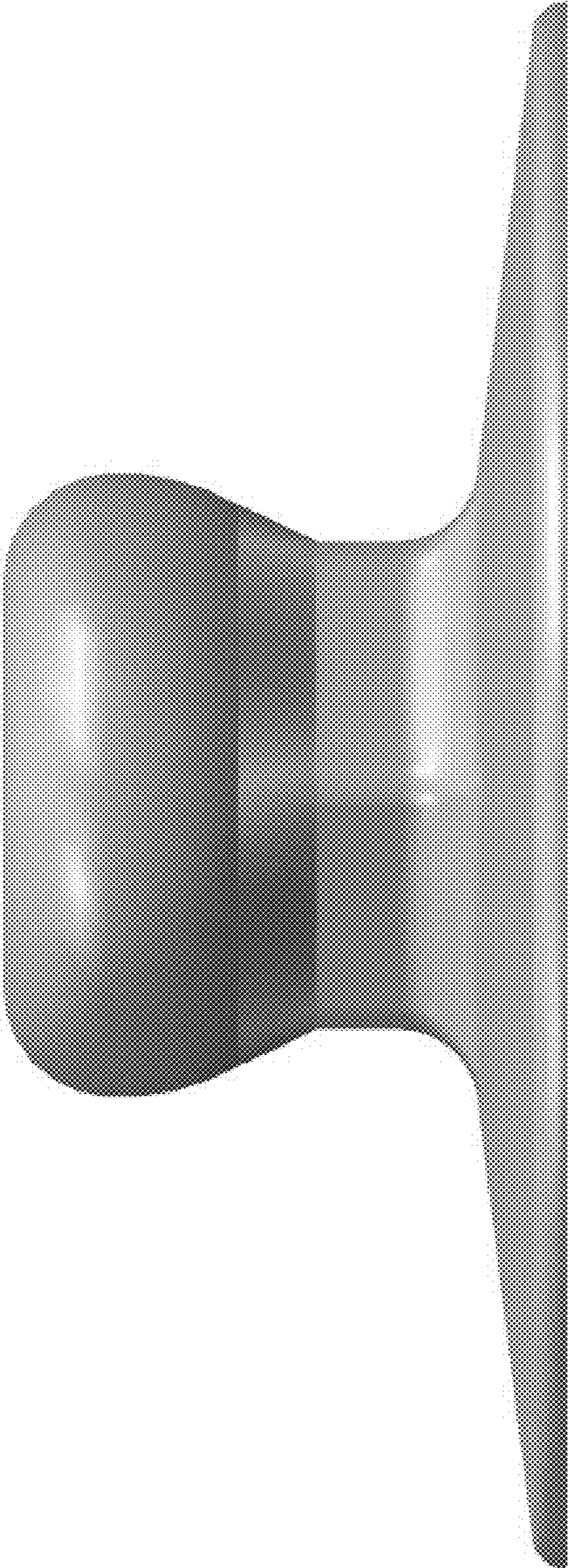


FIG. 11

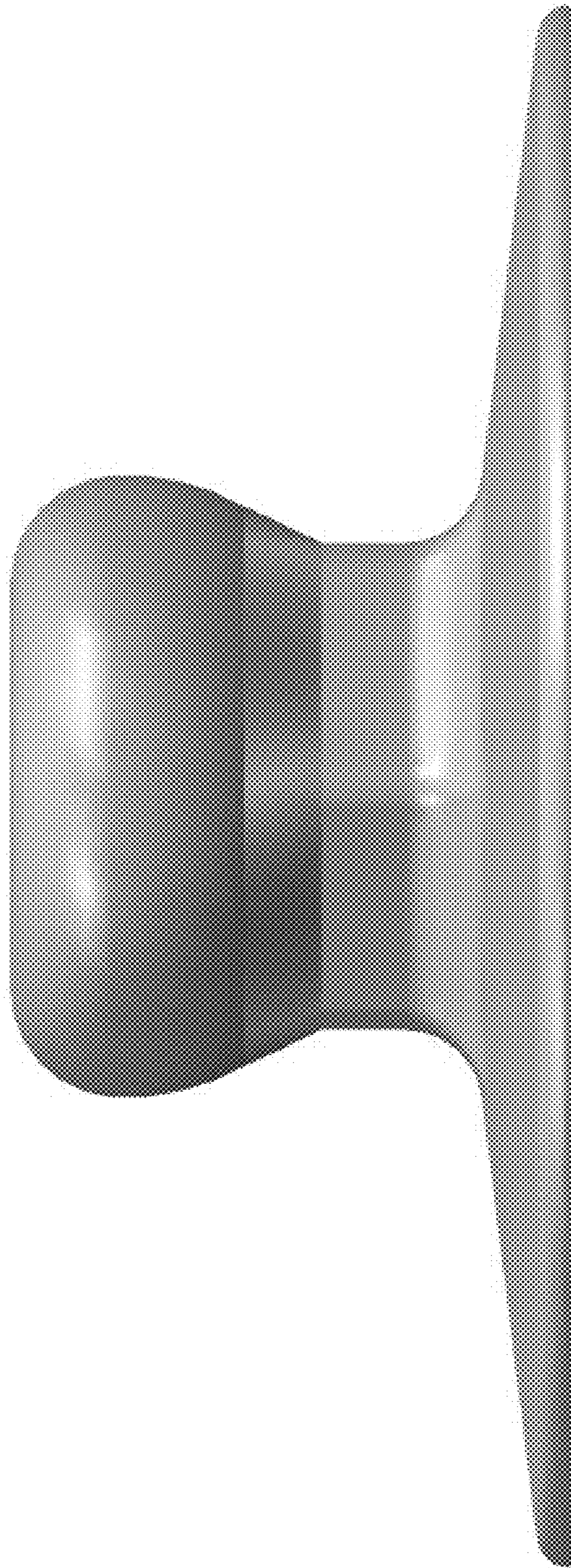


FIG. 12

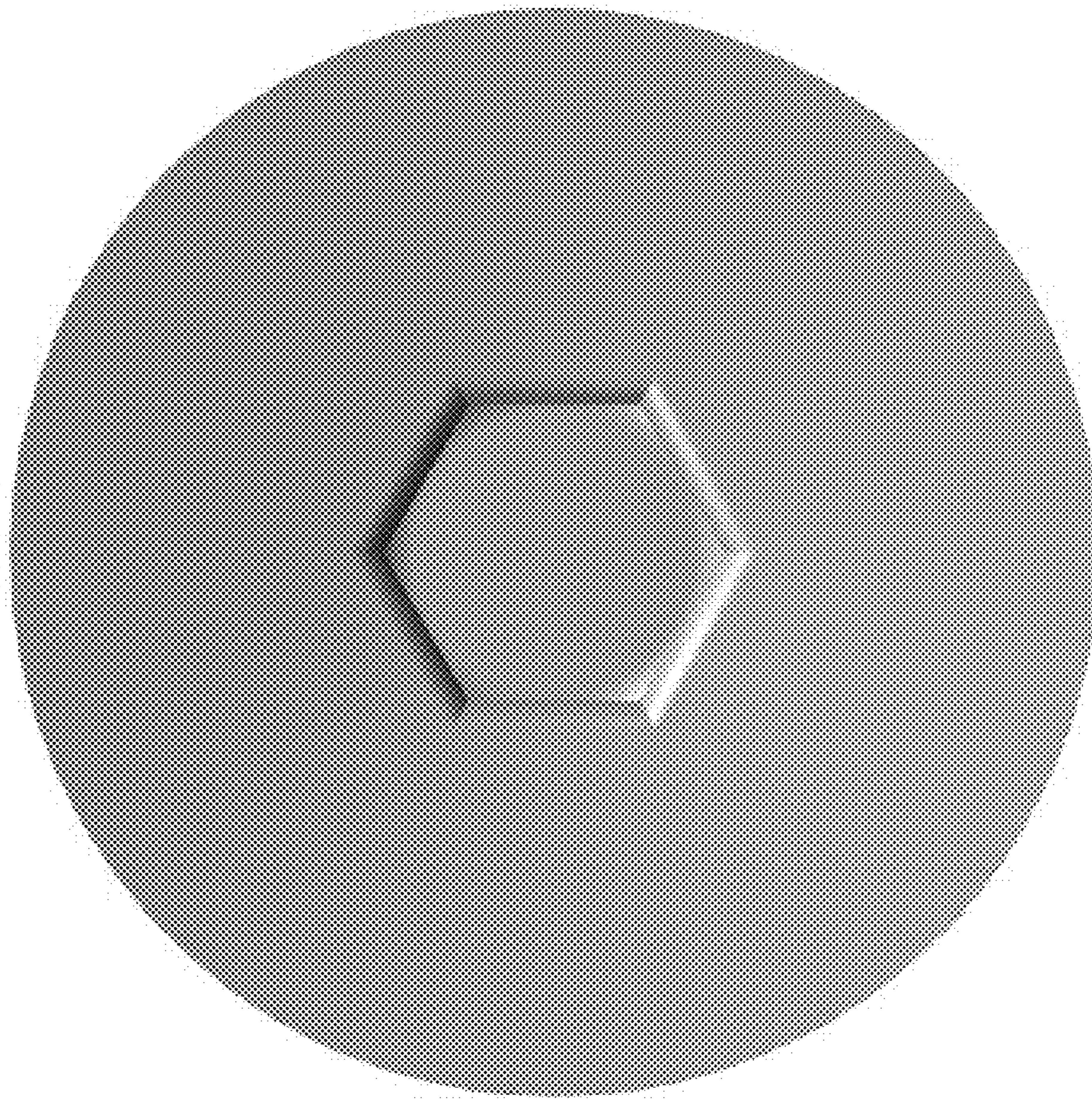


FIG. 13

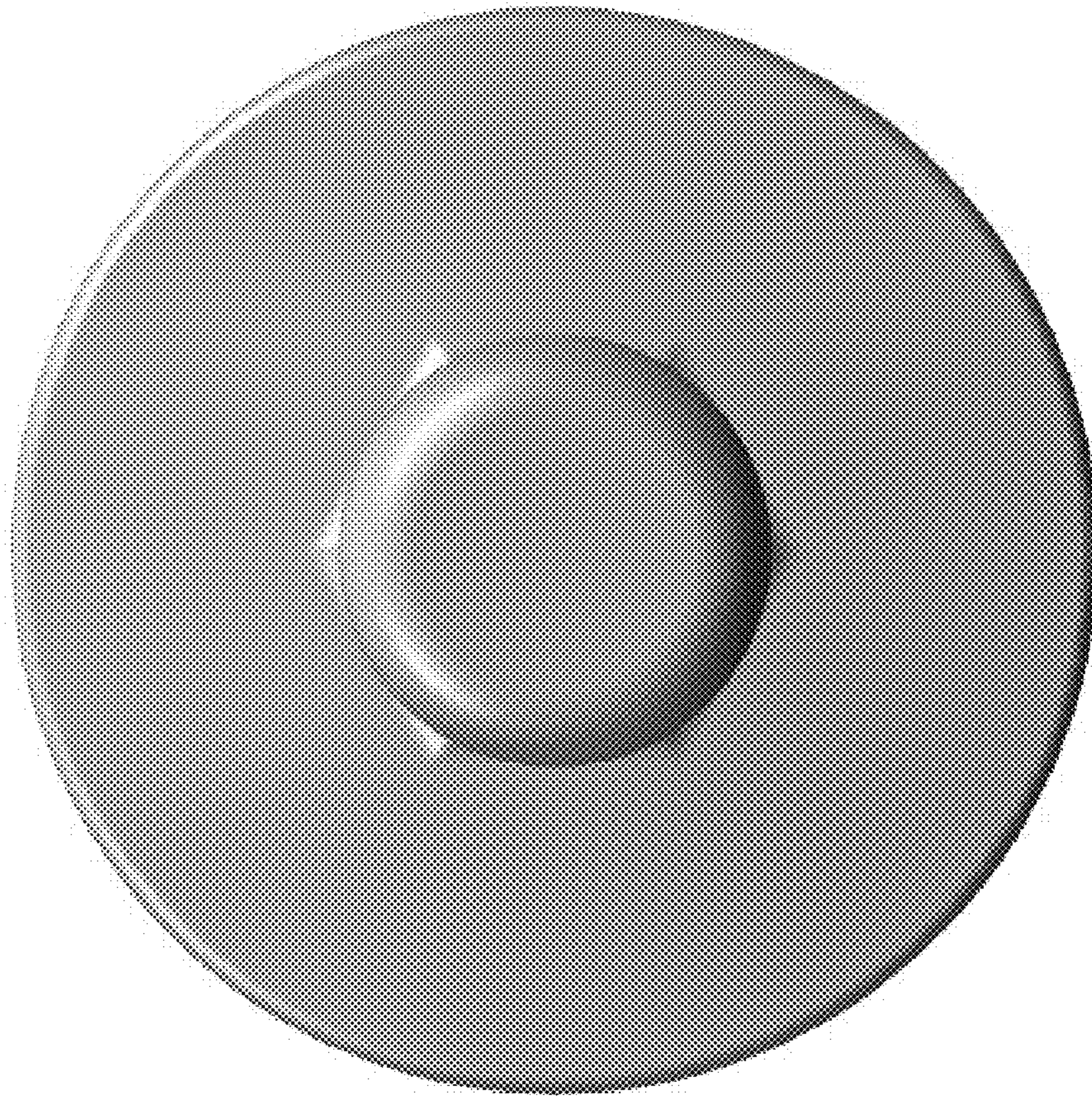


FIG. 14