



US00D758593S

(12) **United States Design Patent**
Rezzonico et al.

(10) **Patent No.:** **US D758,593 S**
(45) **Date of Patent:** **** Jun. 7, 2016**

(54) **ULTRASOUND PROBE**
(71) Applicants: **Fabio Rezzonico**, Como (IT); **Giuseppe Vigna**, Fiesole (FI) (IT)
(72) Inventors: **Fabio Rezzonico**, Como (IT); **Giuseppe Vigna**, Fiesole (FI) (IT)
(73) Assignee: **ESAOTE S.P.A.**, Genoa (IT)
(**) Term: **14 Years**
(21) Appl. No.: **29/477,312**
(22) Filed: **Dec. 20, 2013**

4,674,517 A * 6/1987 Barnes G10K 11/004
600/459
D343,801 S * 2/1994 Burns D10/78
D369,307 S * 4/1996 Imling D10/78
5,558,623 A * 9/1996 Cody B06B 1/0269
600/439
5,671,747 A * 9/1997 Connor A61B 8/12
600/459
D425,980 S * 5/2000 Last D24/107
6,139,502 A * 10/2000 Fredriksen A61B 8/4281
600/459
D536,450 S * 2/2007 Ryan D24/144
D550,365 S * 9/2007 Kitayama D24/186
D623,755 S * 9/2010 Ikegame D24/186
D630,756 S * 1/2011 Kitayama D24/187
D630,757 S * 1/2011 Kitayama D24/187
D638,946 S * 5/2011 Egorov D24/187
D687,153 S * 7/2013 Torzilli D24/187

(30) **Foreign Application Priority Data**
Jul. 1, 2013 (EM) 002265918-0001
(51) **LOC (10) Cl.** **24-01**
(52) **U.S. Cl.**
USPC **D24/187**
(58) **Field of Classification Search**
USPC D24/133, 158, 186-187, 200; 600/437,
600/439, 446, 453, 459, 463, 424, 443;
128/916; D10/60, 80, 103
CPC A61B 5/14532; A61B 5/14546; A61B
5/1455; A61B 5/14551; A61B 5/14552;
A61B 7/003; A61B 5/0476; A61B 5/021;
A61B 5/0478; A61B 8/4281; A61B 8/00;
A61B 5/0002; A61B 5/042; C12Q 1/006
See application file for complete search history.

* cited by examiner

Primary Examiner — T. Chase Nelson
Assistant Examiner — Mark Cavanna
(74) *Attorney, Agent, or Firm* — Themis Law

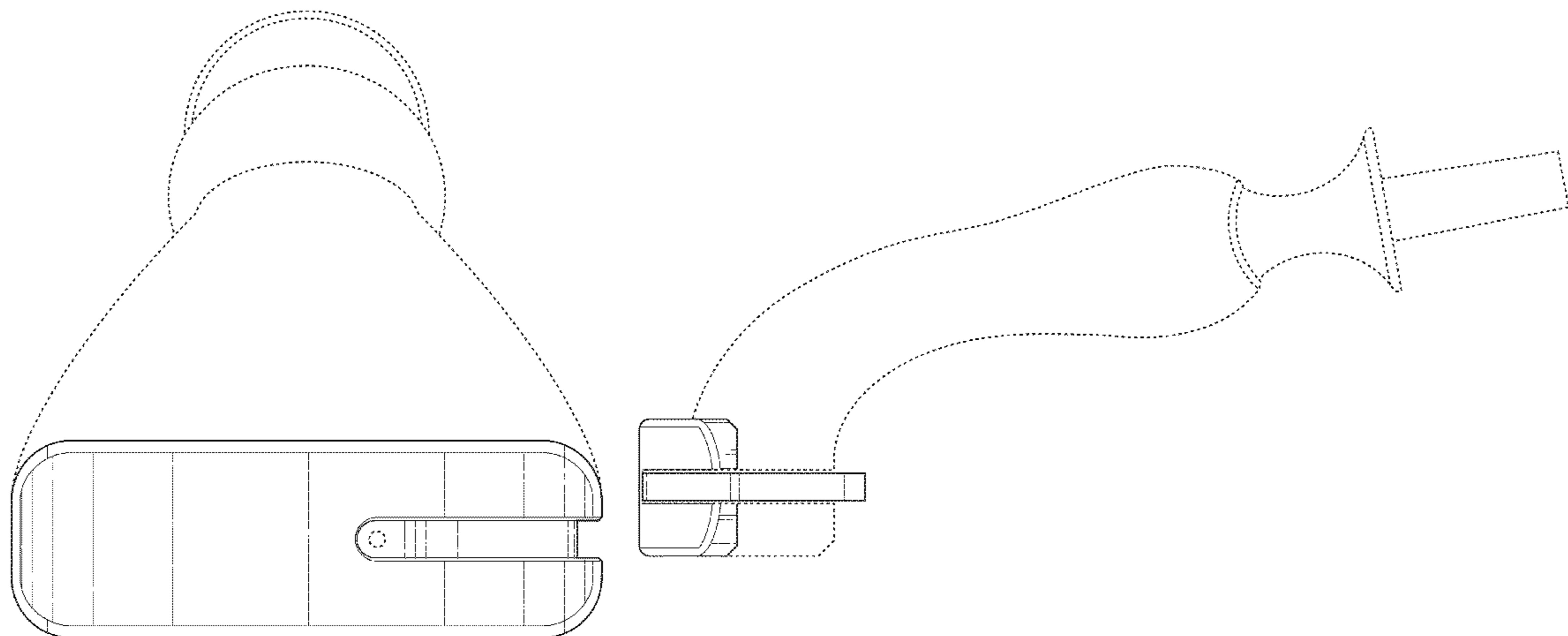
(56) **References Cited**
U.S. PATENT DOCUMENTS
4,517,840 A * 5/1985 Thompson G10K 11/004
73/634
4,582,066 A * 4/1986 Barnes A61B 8/065
600/459

(57) **CLAIM**
The ornamental design for an ultrasound probe, as shown and described.

DESCRIPTION

FIG. 1 is a front elevational view of the ultrasound probe showing my new design;
FIG. 2 is a rear elevational view thereof;
FIG. 3 is a right side elevational view thereof;
FIG. 4 is a left side elevational view thereof;
FIG. 5 is a top plan view thereof; and,
FIG. 6 is a bottom plan view thereof.
The portions of the drawing in dashed lines illustrate an environment of use and form no part of the claimed design.

1 Claim, 6 Drawing Sheets



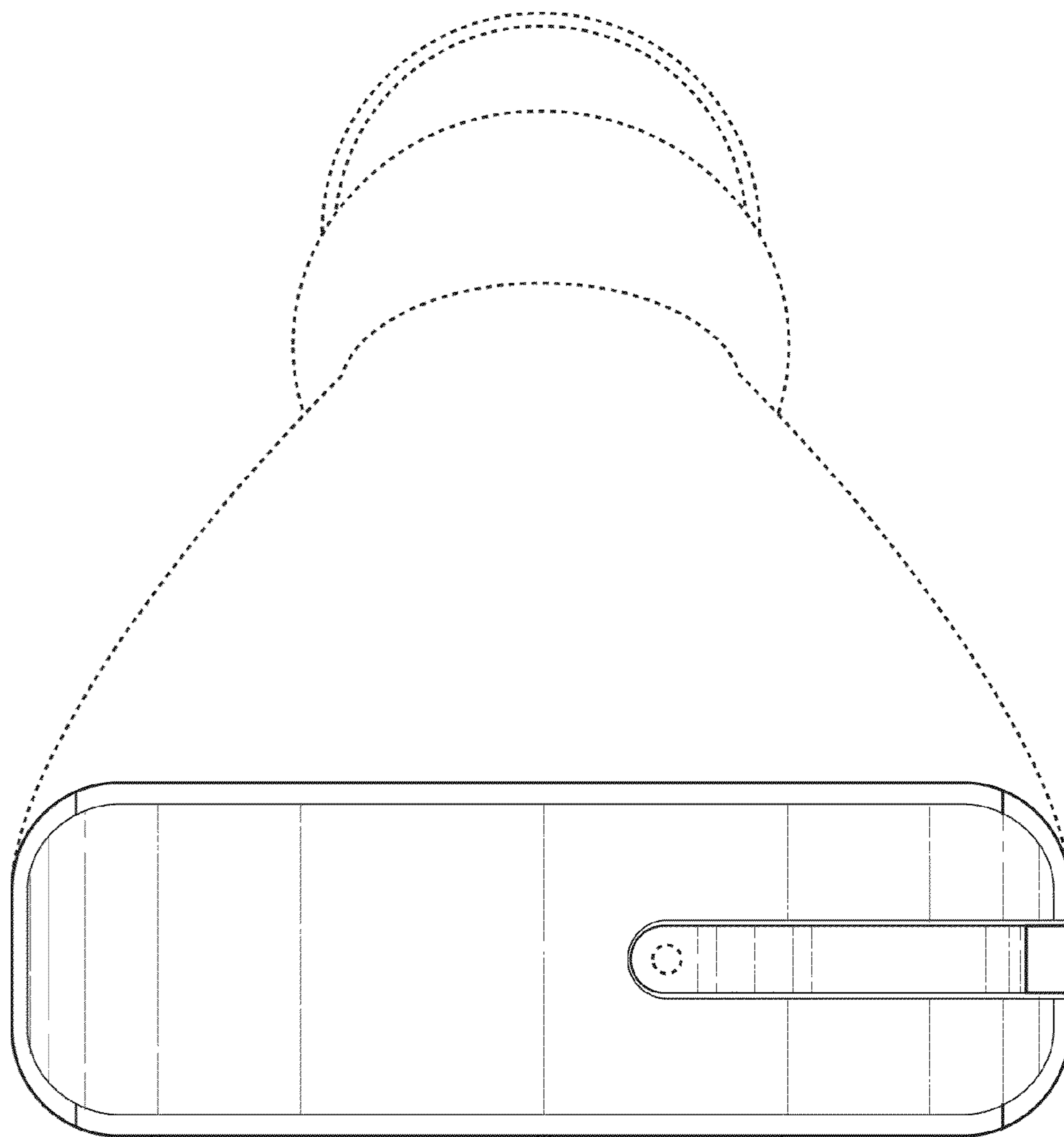


FIG. 1

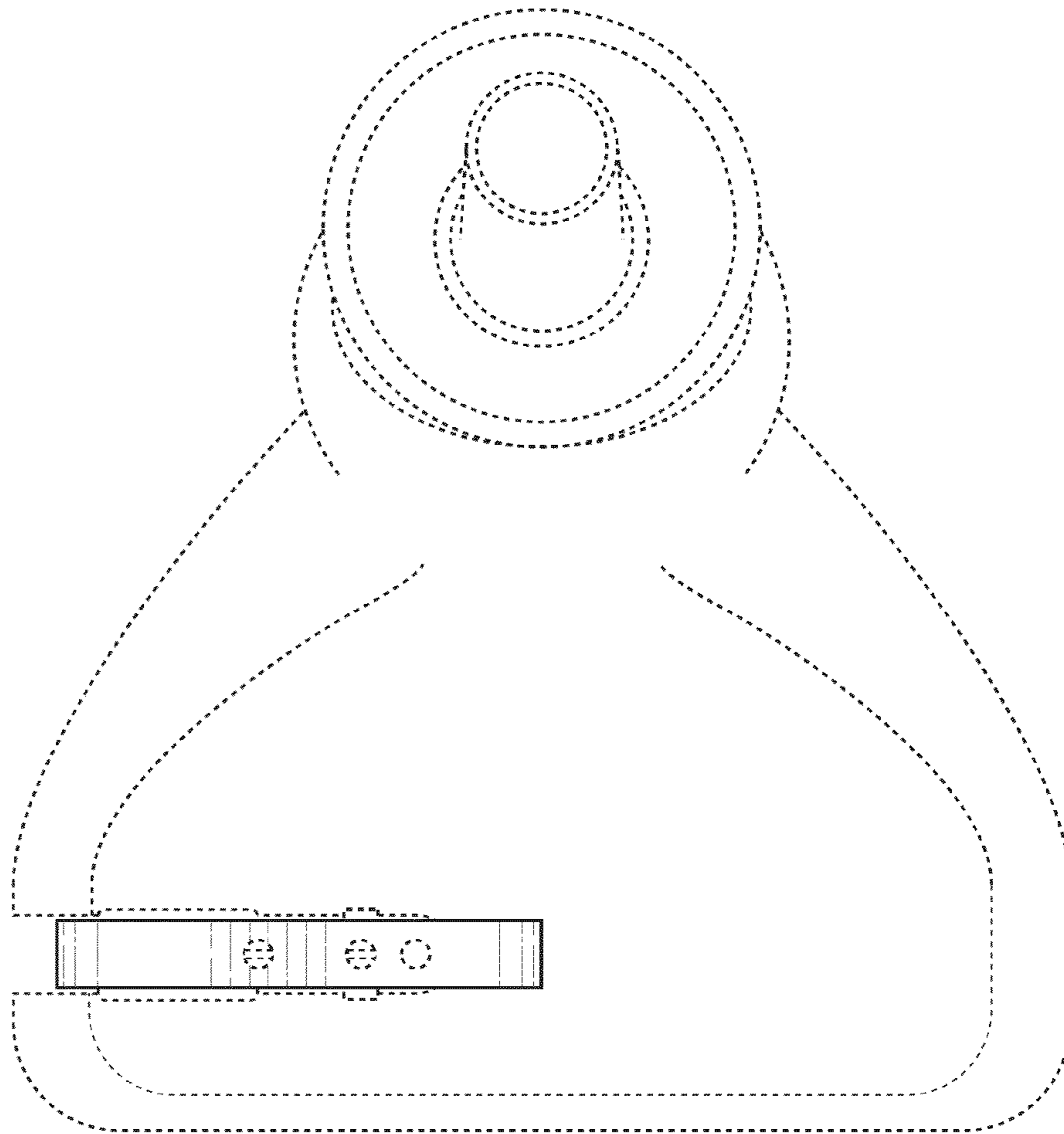


FIG. 2

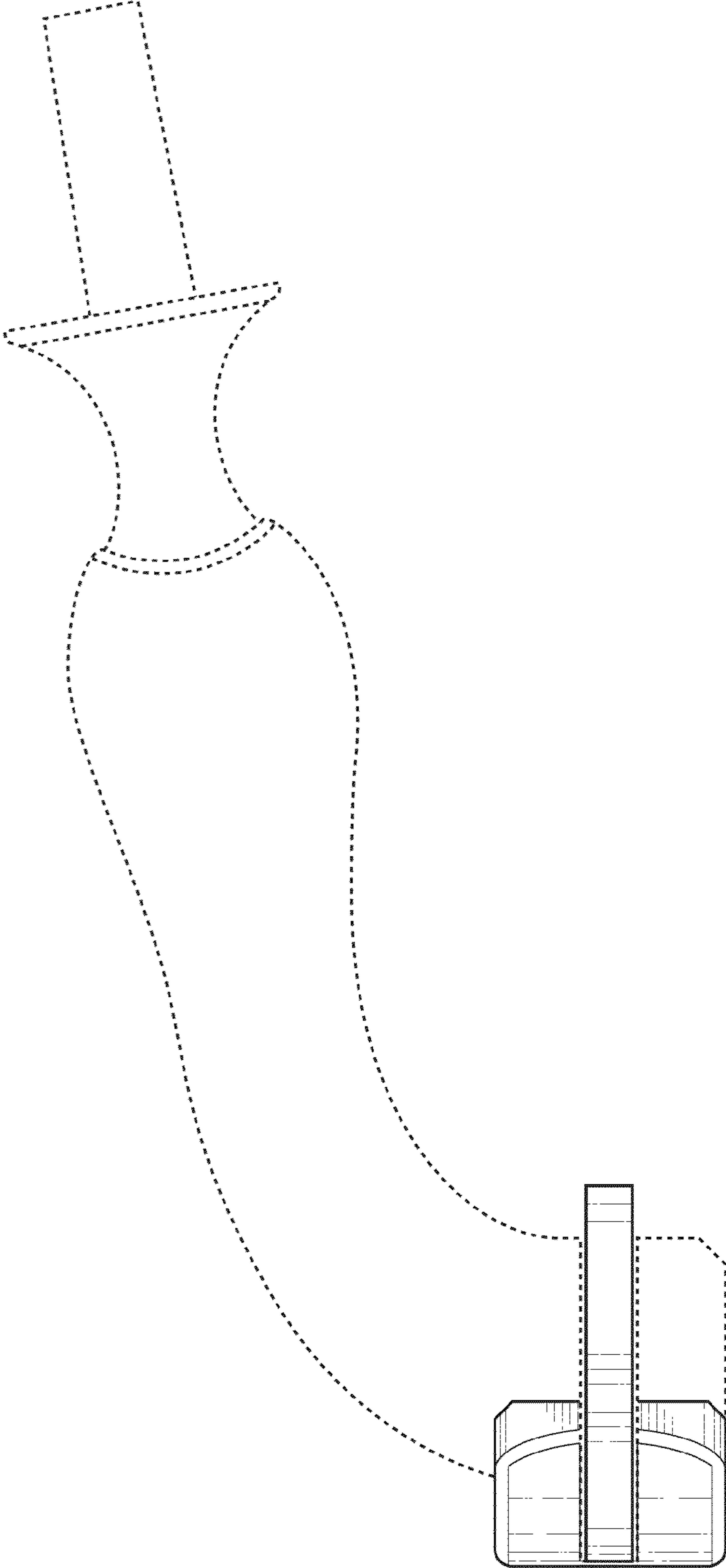


FIG. 3

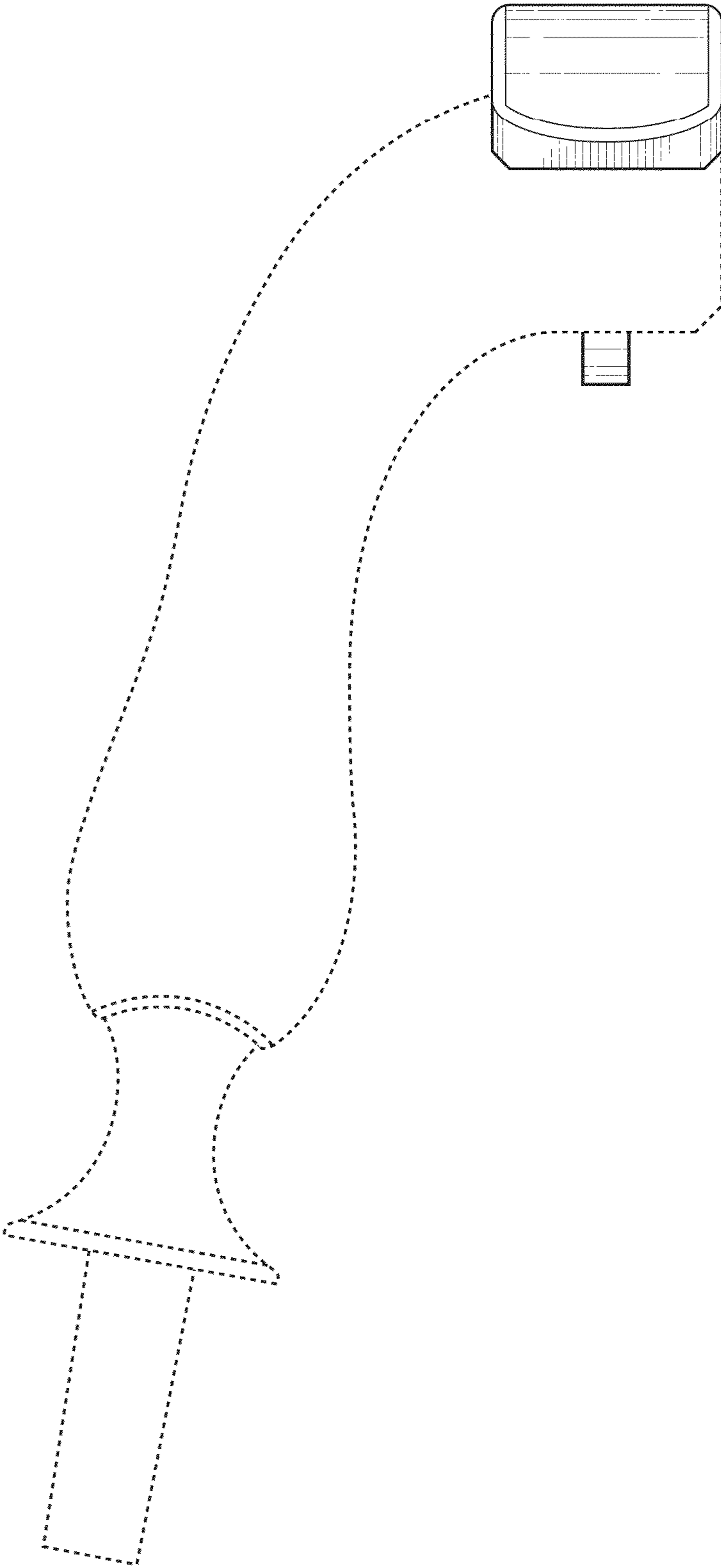


FIG. 4

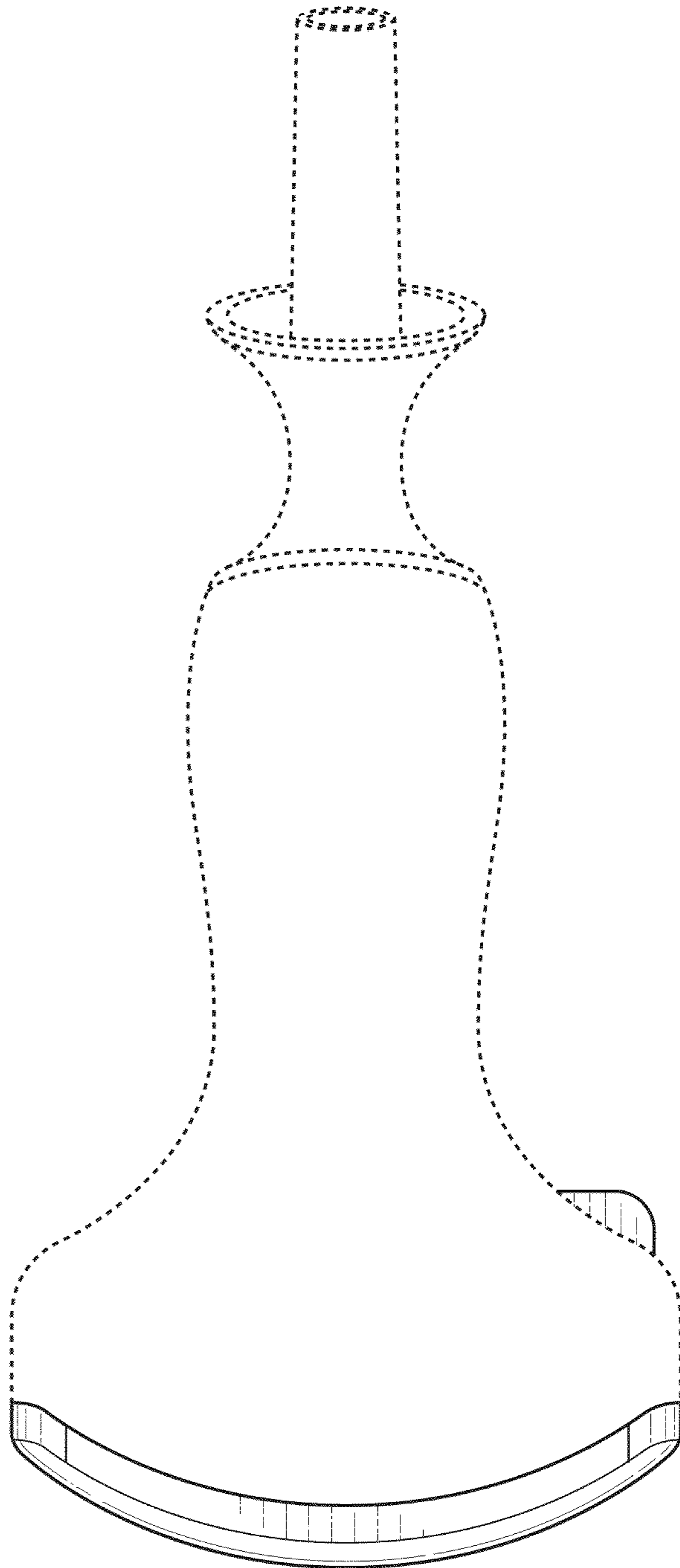


FIG. 5

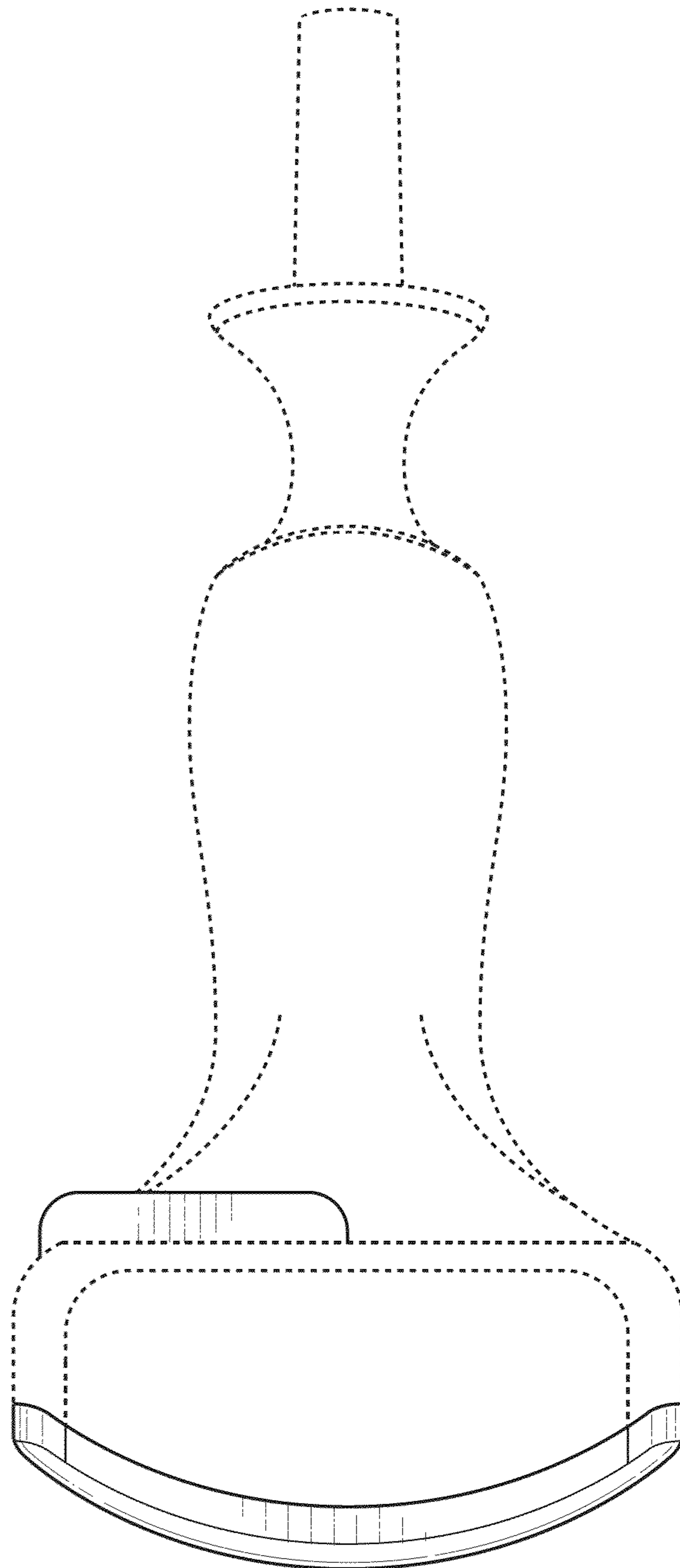


FIG. 6