



US00D758590S

(12) **United States Design Patent**  
**Burachynsky et al.**

(10) **Patent No.:** **US D758,590 S**  
(45) **Date of Patent:** **\*\* Jun. 7, 2016**

- (54) **SWITCH BOX**
- (71) Applicant: **Baylis Medical Company Inc.**,  
Mississauga (CA)
- (72) Inventors: **Natalia Burachynsky**, Toronto (CA);  
**Gareth Davies**, Toronto (CA); **Krishan Shah**,  
Mississauga (CA); **Lyndsay Stephenson**, Toronto (CA); **David Wells**,  
Etobicoke (CA); **Jason Woo**, Mississauga (CA)
- (73) Assignee: **BAYLIS MEDICAL COMPANY INC.**,  
Montreal, Quebec (CA)
- (\*\*) Term: **14 Years**
- (21) Appl. No.: **29/510,292**
- (22) Filed: **Nov. 26, 2014**
- (51) **LOC (10) Cl.** ..... **24-00**
- (52) **U.S. Cl.**  
USPC ..... **D24/170**
- (58) **Field of Classification Search**  
USPC ..... D24/170, 201, 187, 165, 186, 158, 144;  
D13/167; D14/349; 210/147; 604/249;  
600/38, 517, 561; 422/403; 601/15,  
601/101; 324/318; 128/907; 283/70  
CPC ..... A61F 5/41; A61M 1/0043; A61L 2/04;  
A61B 5/02416; A61B 5/031; A61B 5/04325;  
A61N 1/36021; A61H 7/005; A61H 23/02;  
G01R 33/34061; G01N 33/525  
See application file for complete search history.

(56) **References Cited**

**U.S. PATENT DOCUMENTS**

- 4,121,574 A \* 10/1978 Lester ..... A61B 5/02416  
283/70
- 4,312,361 A \* 1/1982 Nicholson ..... A61B 5/031  
600/561
- 4,583,553 A \* 4/1986 Shah ..... A61B 5/04325  
600/517
- 4,989,605 A \* 2/1991 Rossen ..... A61N 1/36021  
128/907

- 5,065,743 A \* 11/1991 Sutherland ..... A61H 7/005  
601/101
- 5,136,244 A \* 8/1992 Jones ..... G01R 33/34061  
324/318
- 5,176,130 A \* 1/1993 Kim ..... A61H 23/02  
601/15
- 5,397,537 A \* 3/1995 Kanda ..... G01N 33/525  
422/403
- 5,421,808 A \* 6/1995 Osbon ..... A61F 5/41  
600/38
- 5,484,402 A \* 1/1996 Saravia ..... A61M 1/0043  
604/249
- 5,658,456 A \* 8/1997 Kenley ..... A61L 2/04  
210/147
- D409,756 S \* 5/1999 Allen ..... D24/201
- D412,580 S \* 8/1999 Kellstedt ..... D24/187
- D449,891 S \* 10/2001 Moro ..... D24/165
- D647,522 S \* 10/2011 Paul ..... D14/349

(Continued)

*Primary Examiner* — Holly Baynham

*Assistant Examiner* — Rhea Shields

(74) *Attorney, Agent, or Firm* — Nir Lifshitz; Glenn Arnold

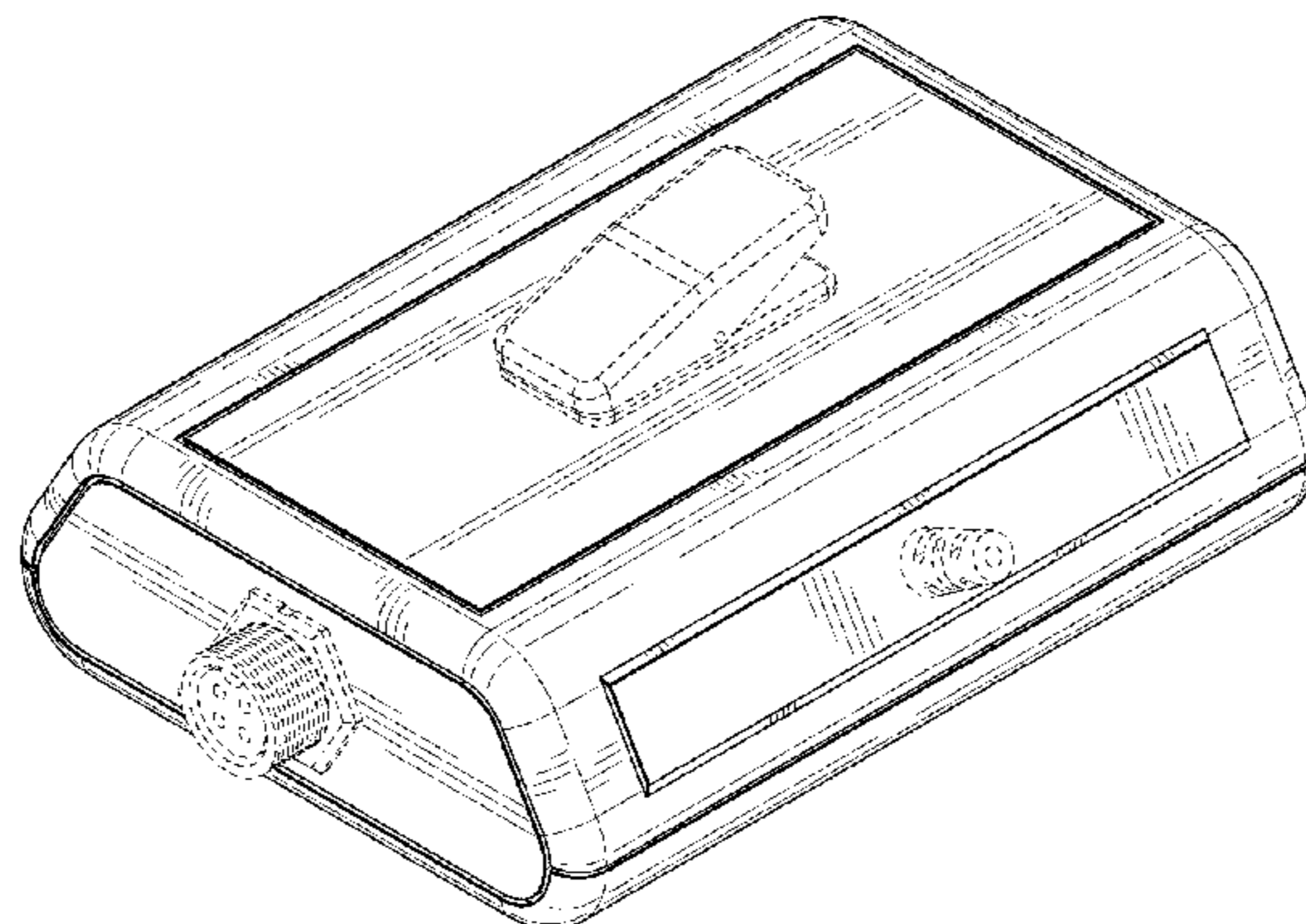
(57) **CLAIM**

The ornamental design for a switch box, as shown and described.

**DESCRIPTION**

FIG. 1 is a left, front and top perspective view of a switch box, showing our new design;  
 FIG. 2 is a right, rear and bottom perspective view of the switch box of FIG. 1;  
 FIG. 3 is a left side view of the switch box of FIG. 1;  
 FIG. 4 is a front side view of the switch box of FIG. 1;  
 FIG. 5 is a right side view of the switch box of FIG. 1;  
 FIG. 6 is a rear side view of the switch box of FIG. 1;  
 FIG. 7 is a top side view of the switch box of FIG. 1; and,  
 FIG. 8 is a bottom side view of the switch box of FIG. 1.  
 The broken lines immediately adjacent the shaded areas represent the bounds of the claimed design while all other broken lines are for the purpose of illustrating environment only and form no part of the claimed design.

**1 Claim, 6 Drawing Sheets**



# US D758,590 S

Page 2

---

(56)

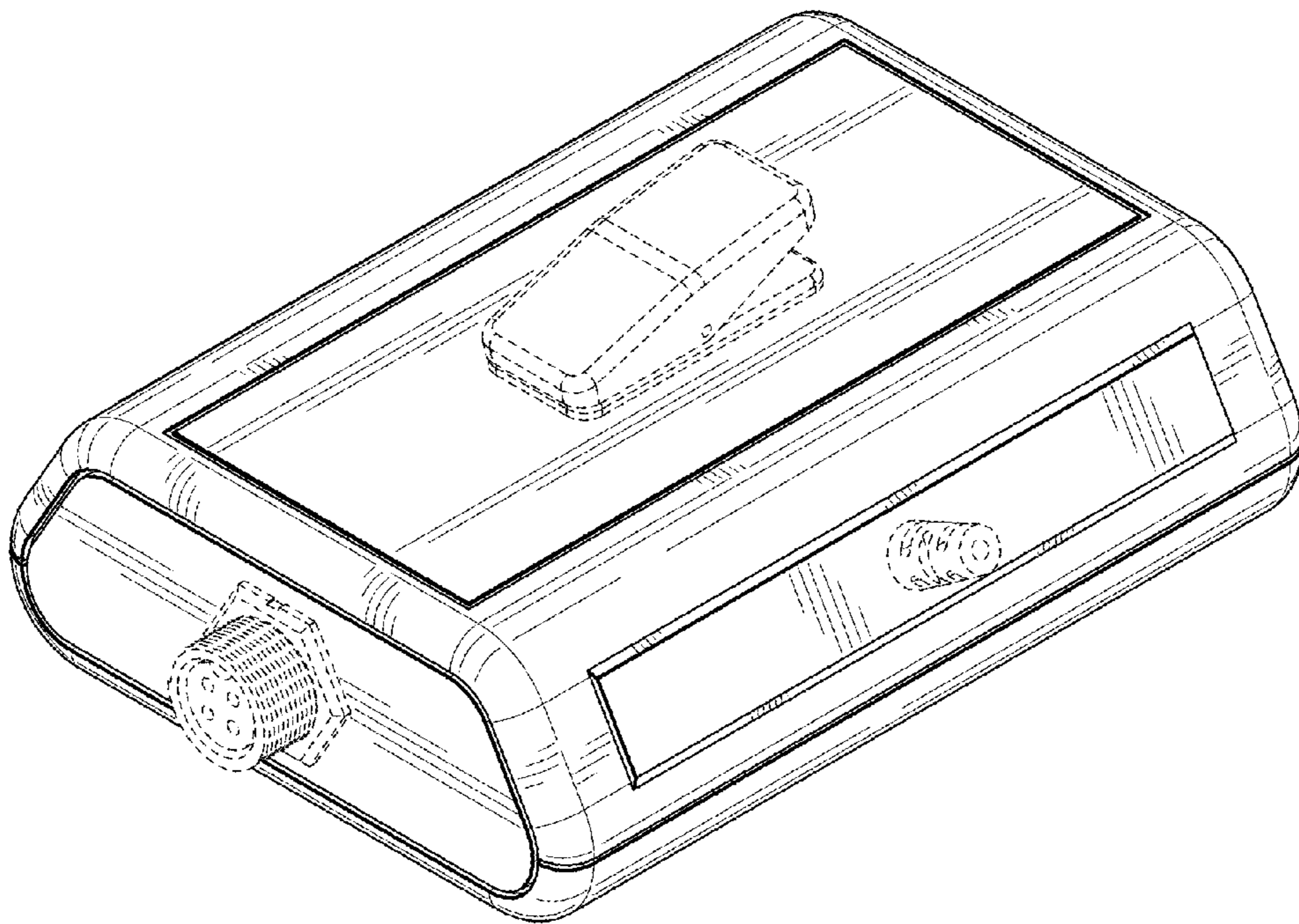
## References Cited

### U.S. PATENT DOCUMENTS

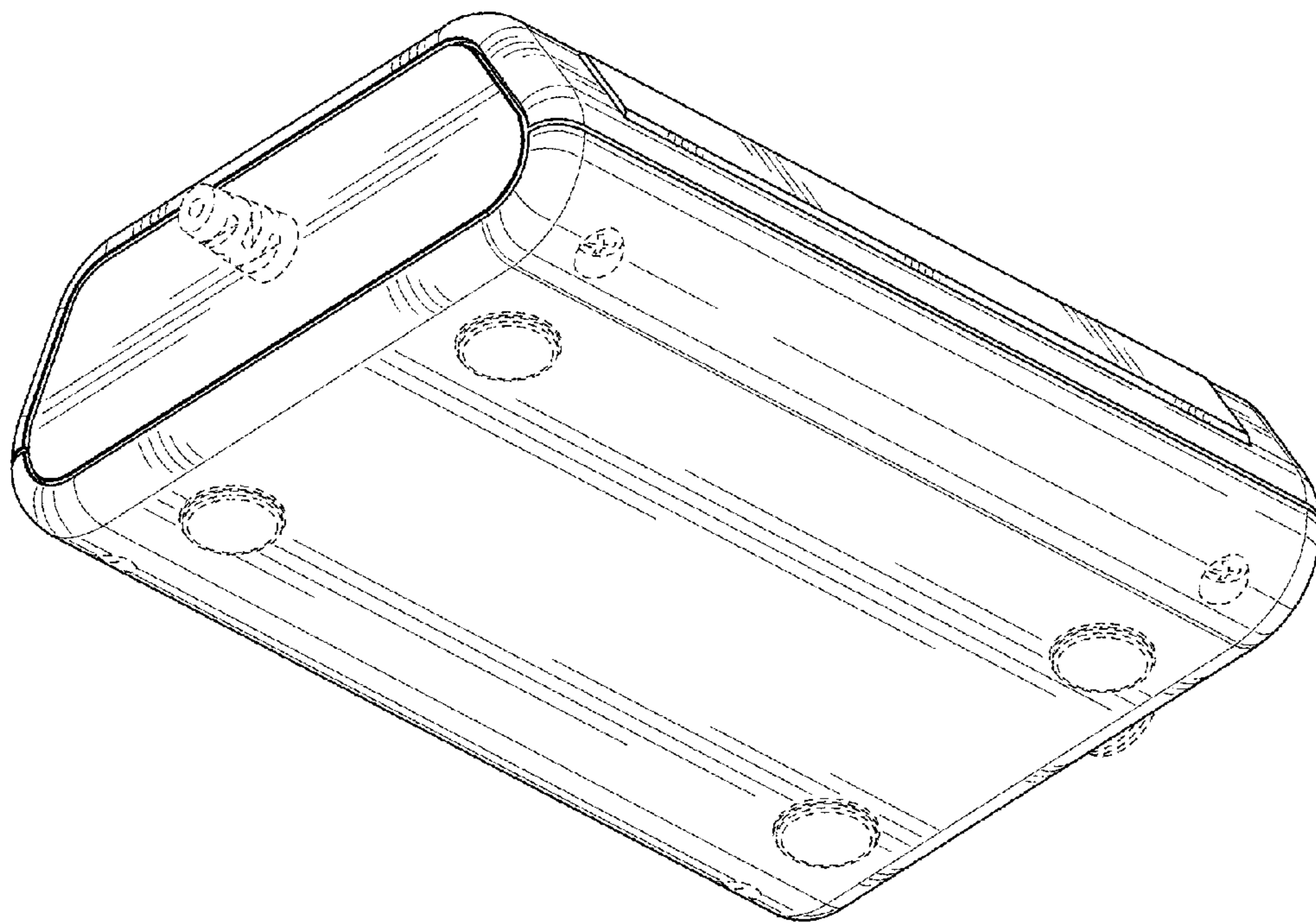
D649,645 S \* 11/2011 Barker ..... D24/186  
D669,993 S \* 10/2012 Merchant ..... D24/170  
D683,022 S \* 5/2013 Moon ..... D24/158

D700,343 S \* 2/2014 Liu ..... D24/186  
D712,031 S \* 8/2014 Feng ..... D24/144  
D713,528 S \* 9/2014 Li ..... D24/158  
D713,529 S \* 9/2014 Li ..... D13/167  
D737,981 S \* 9/2015 Biggs ..... D24/170

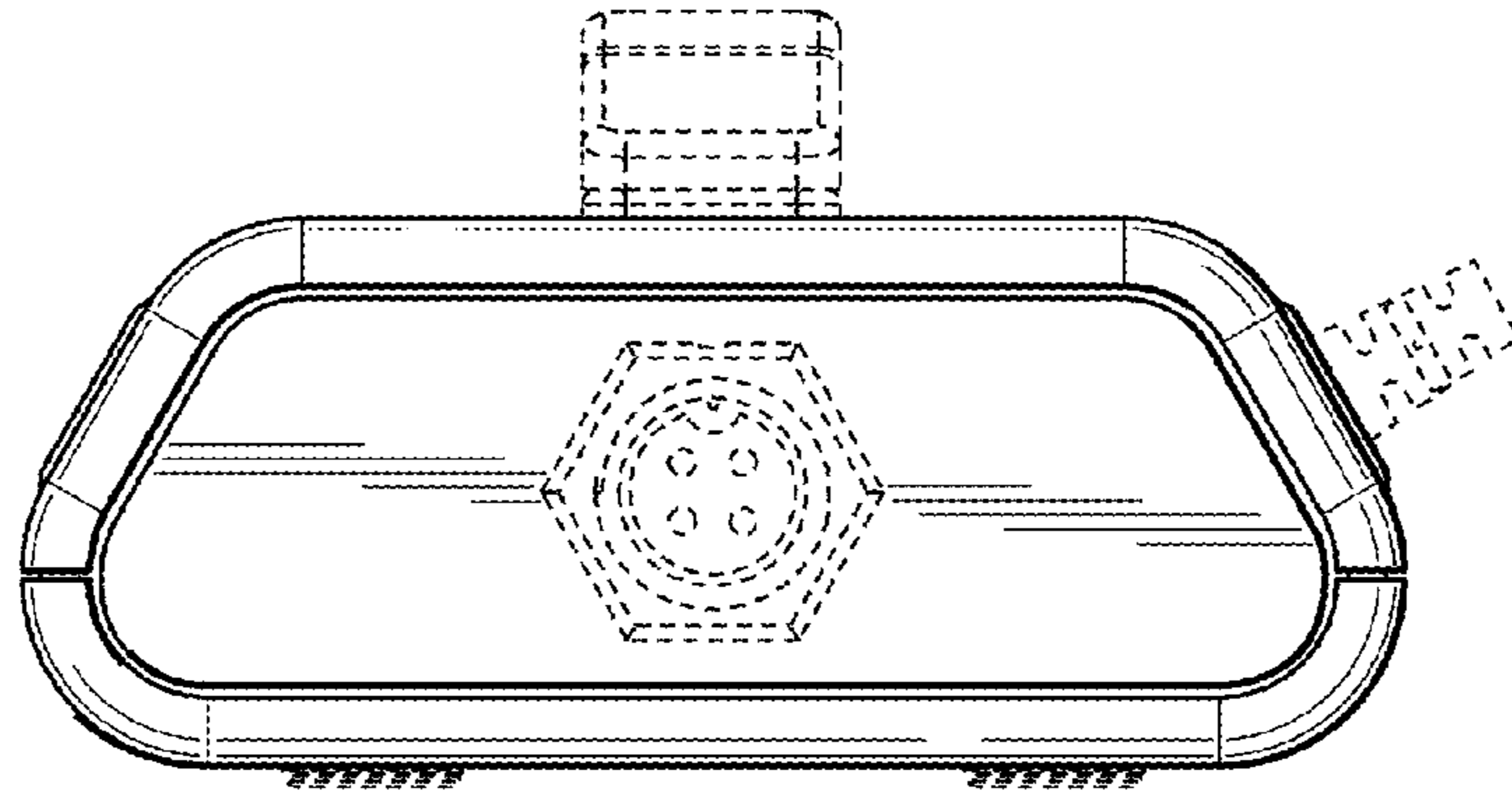
\* cited by examiner



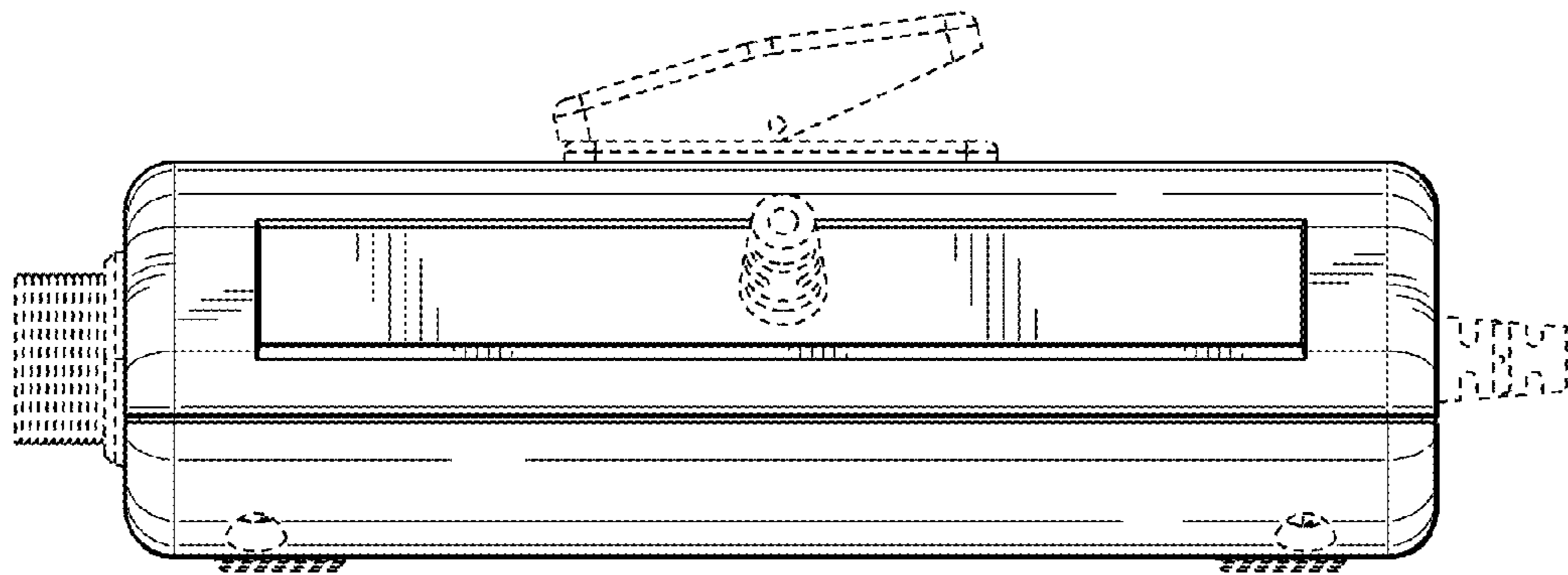
**FIG. 1**



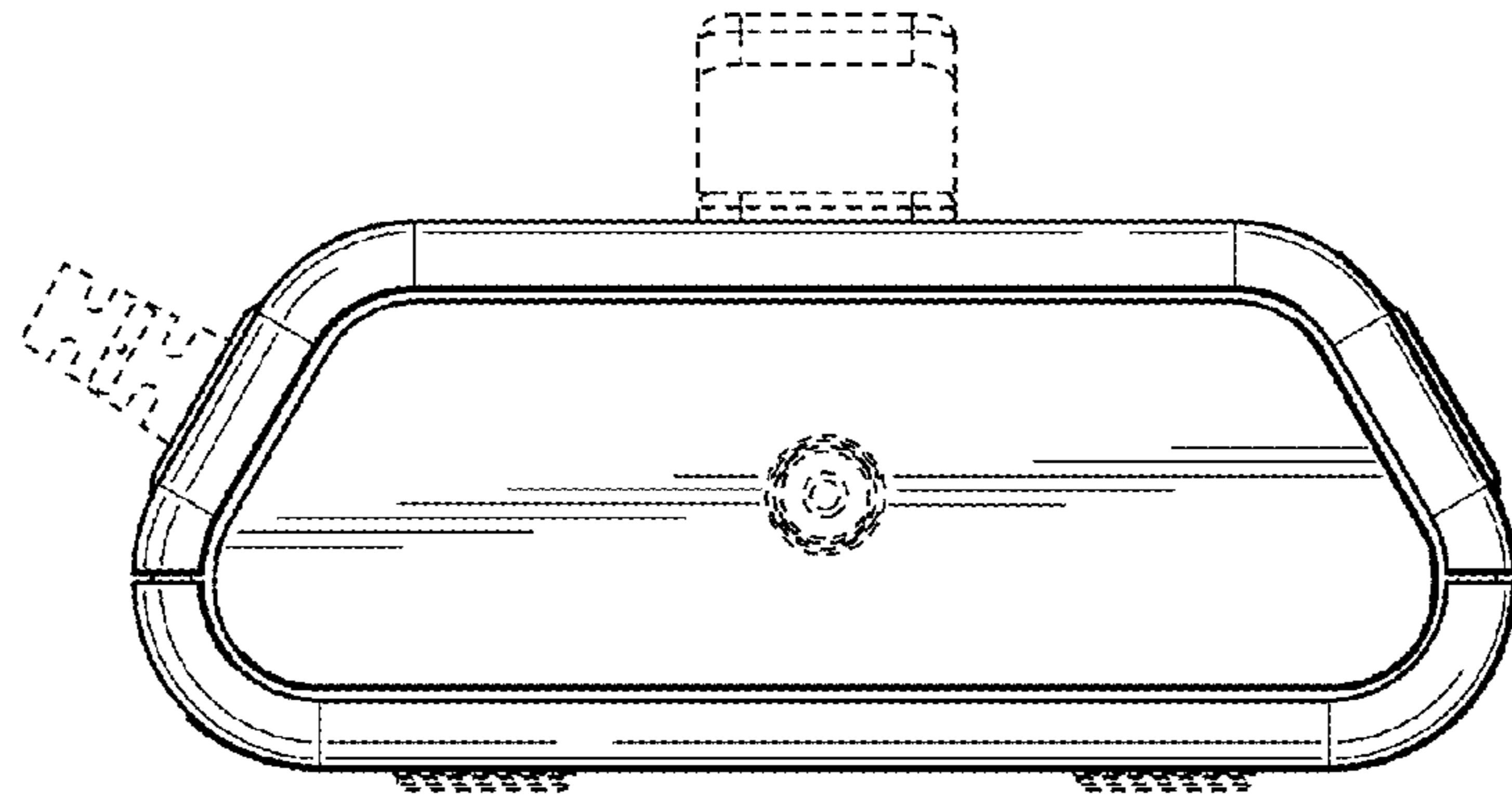
**FIG. 2**



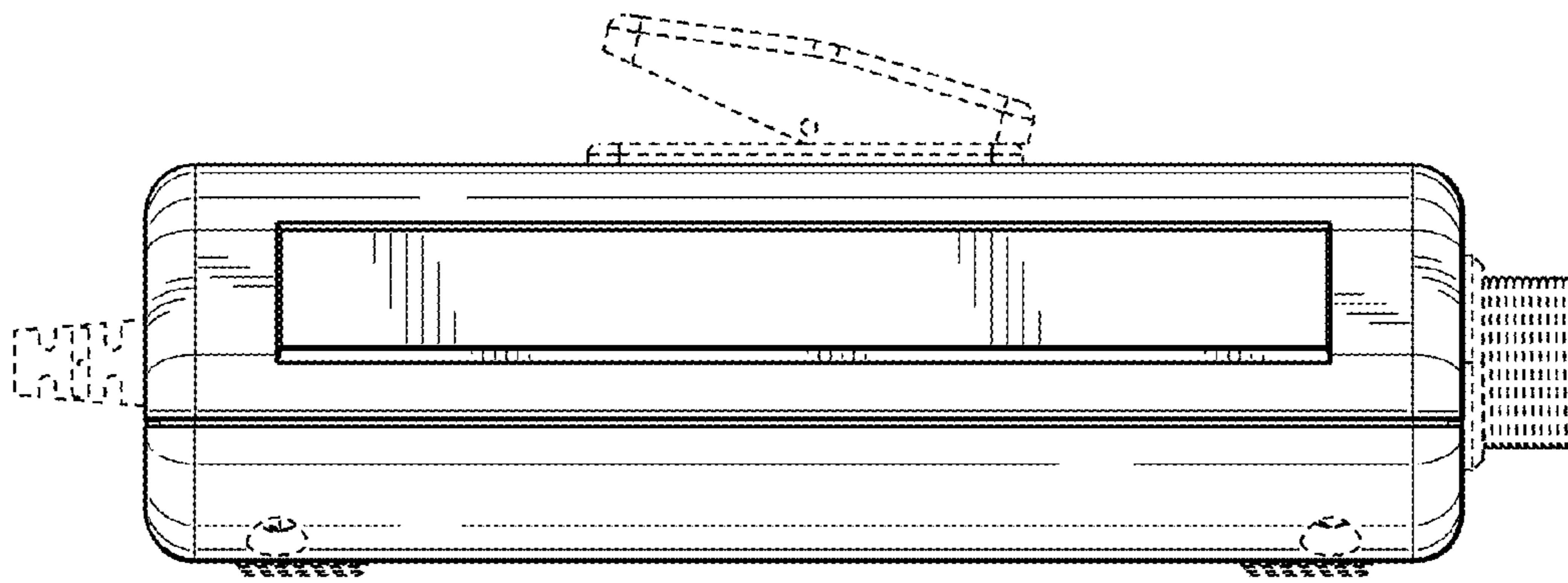
**FIG. 3**



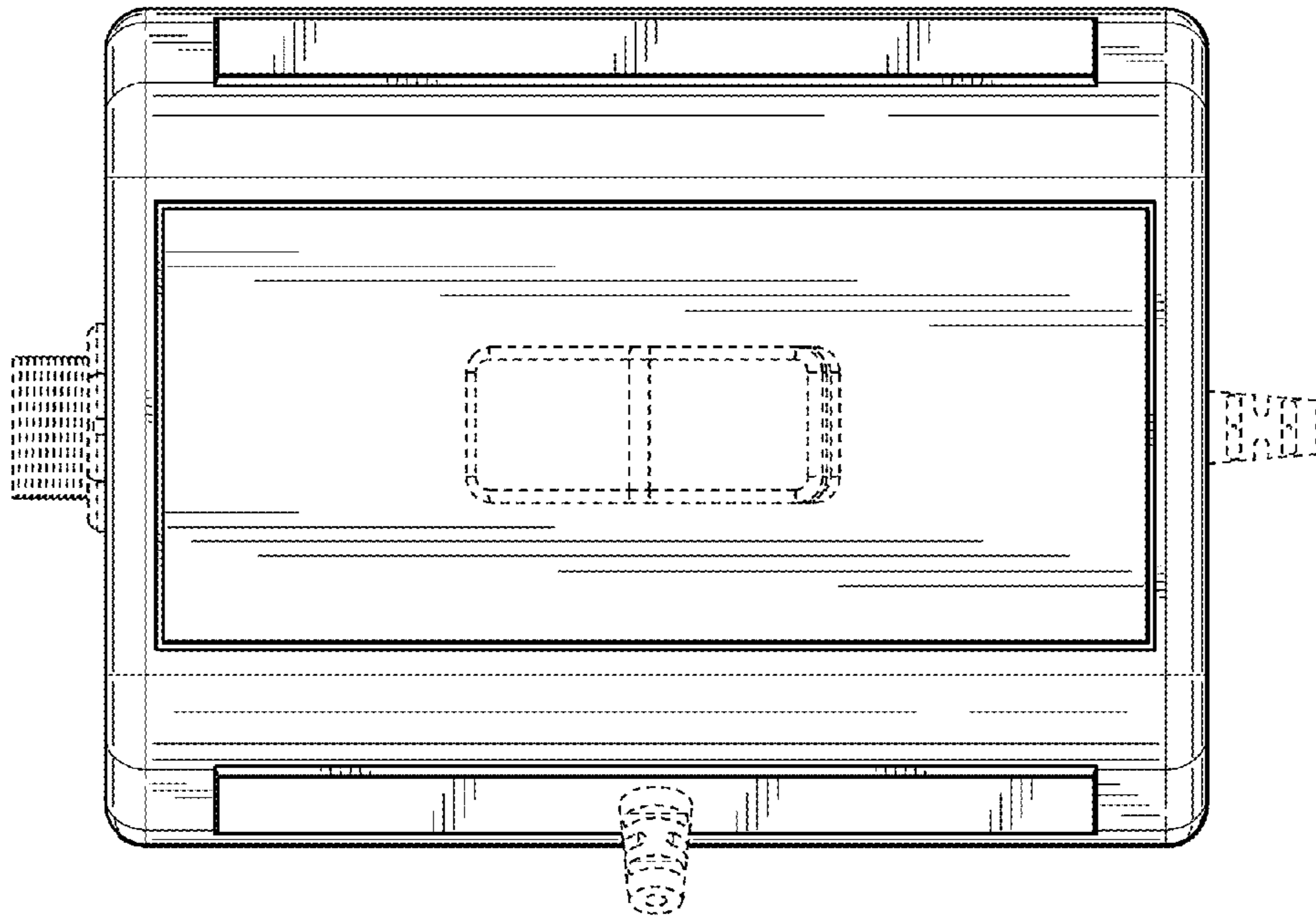
**FIG. 4**



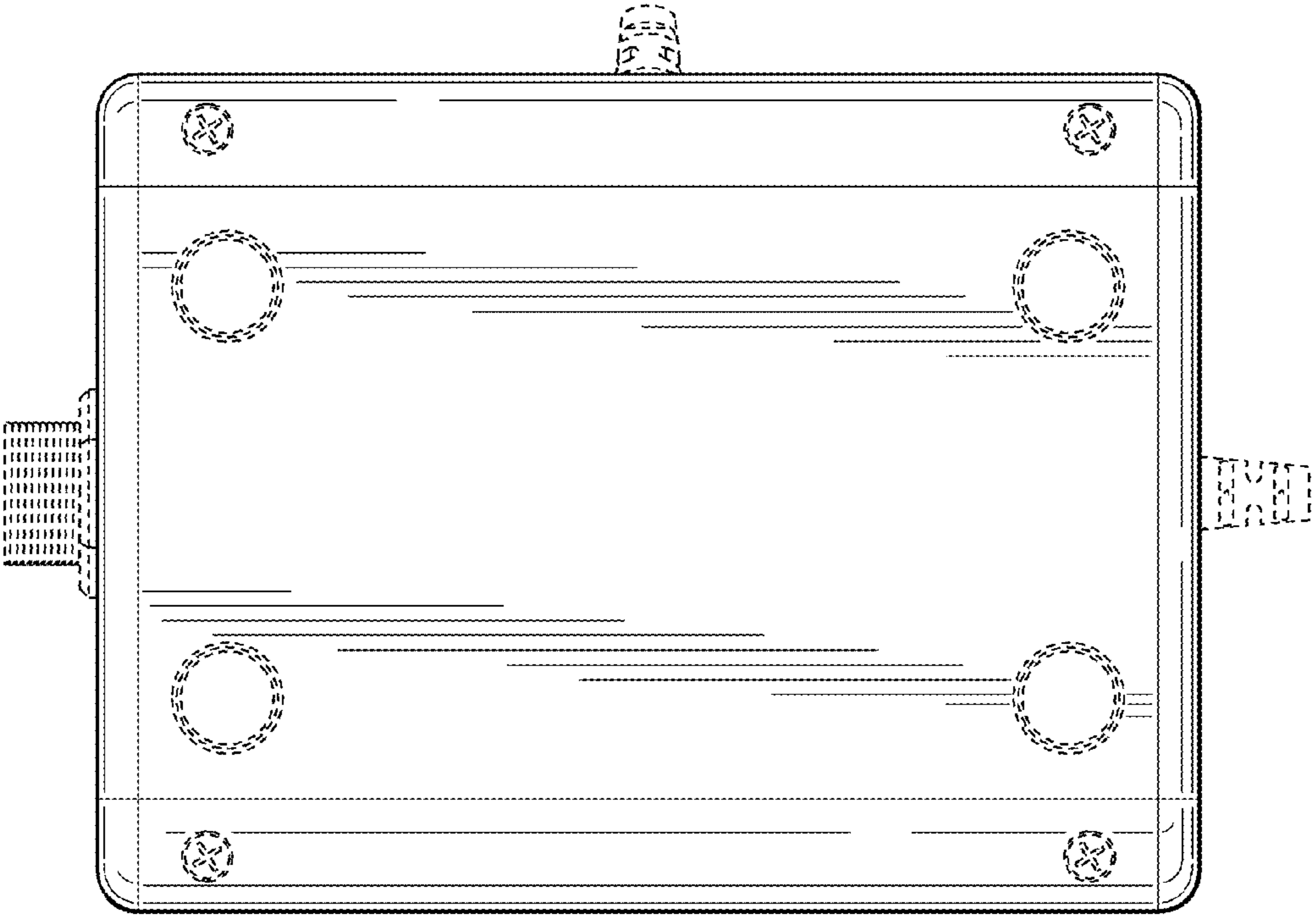
**FIG. 5**



**FIG. 6**



**FIG. 7**



**FIG. 8**