



US00D758589S

(12) **United States Design Patent**  
**Meguro et al.**

(10) **Patent No.:** **US D758,589 S**  
(45) **Date of Patent:** **\*\* Jun. 7, 2016**

(54) **BLOOD COMPONENT MEASUREMENT APPARATUS**

(71) Applicant: **NEC Corporation**, Minato-ku, Tokyo (JP)

(72) Inventors: **Yuka Meguro**, Minato-ku (JP); **Mariko Ouchi**, Ota-ku (JP); **Masakatsu Takizawa**, Ota-ku (JP)

(73) Assignee: **NEC CORPORATION**, Tokyo (JP)

(\*\*) Term: **14 Years**

(21) Appl. No.: **29/495,569**

(22) Filed: **Jul. 2, 2014**

(30) **Foreign Application Priority Data**

Apr. 10, 2014 (JP) ..... 2014-007886  
Jun. 25, 2014 (JP) ..... 2014-013839

(51) **LOC (10) Cl.** ..... **24-01**

(52) **U.S. Cl.**  
USPC ..... **D24/169**

(58) **Field of Classification Search**  
USPC ..... D24/216, 223, 231, 232, 107, 169, 186;  
D10/81; 422/68.1, 420, 500;  
435/287.1, 287.3; 436/43, 45, 47;  
600/309, 365, 368, 583, 584  
CPC . G01N 33/48707; G01N 33/52; G01N 33/49;  
G01N 33/492

See application file for complete search history.

(56) **References Cited**

U.S. PATENT DOCUMENTS

D547,879 S \* 7/2007 Lee ..... D24/223  
D607,347 S \* 1/2010 Goh et al. .... D10/81  
8,226,905 B2 \* 7/2012 Abdallah ..... 422/68.1  
D675,336 S \* 1/2013 Laverack et al. .... D24/223  
D704,581 S \* 5/2014 Ho et al. .... D10/81  
D722,697 S \* 2/2015 Moon et al. .... D24/169

\* cited by examiner

*Primary Examiner* — Anhdao Doan

(74) *Attorney, Agent, or Firm* — Keating & Bennett, LLP

(57) **CLAIM**

The ornamental design for a blood component measurement apparatus, as shown and described.

**DESCRIPTION**

FIG. 1 is a front elevation view of a blood component measurement apparatus according to our new design;  
FIG. 2 is a rear elevation view thereof;  
FIG. 3 is a left side elevation view thereof;  
FIG. 4 is a right side elevation view thereof;  
FIG. 5 is a top plan view thereof;  
FIG. 6 is a bottom plan view thereof;  
FIG. 7 is a perspective view thereof; and,  
FIG. 8 is a perspective view of the blood component measurement apparatus shown in FIG. 1 in a condition in which its light is on.

**1 Claim, 8 Drawing Sheets**

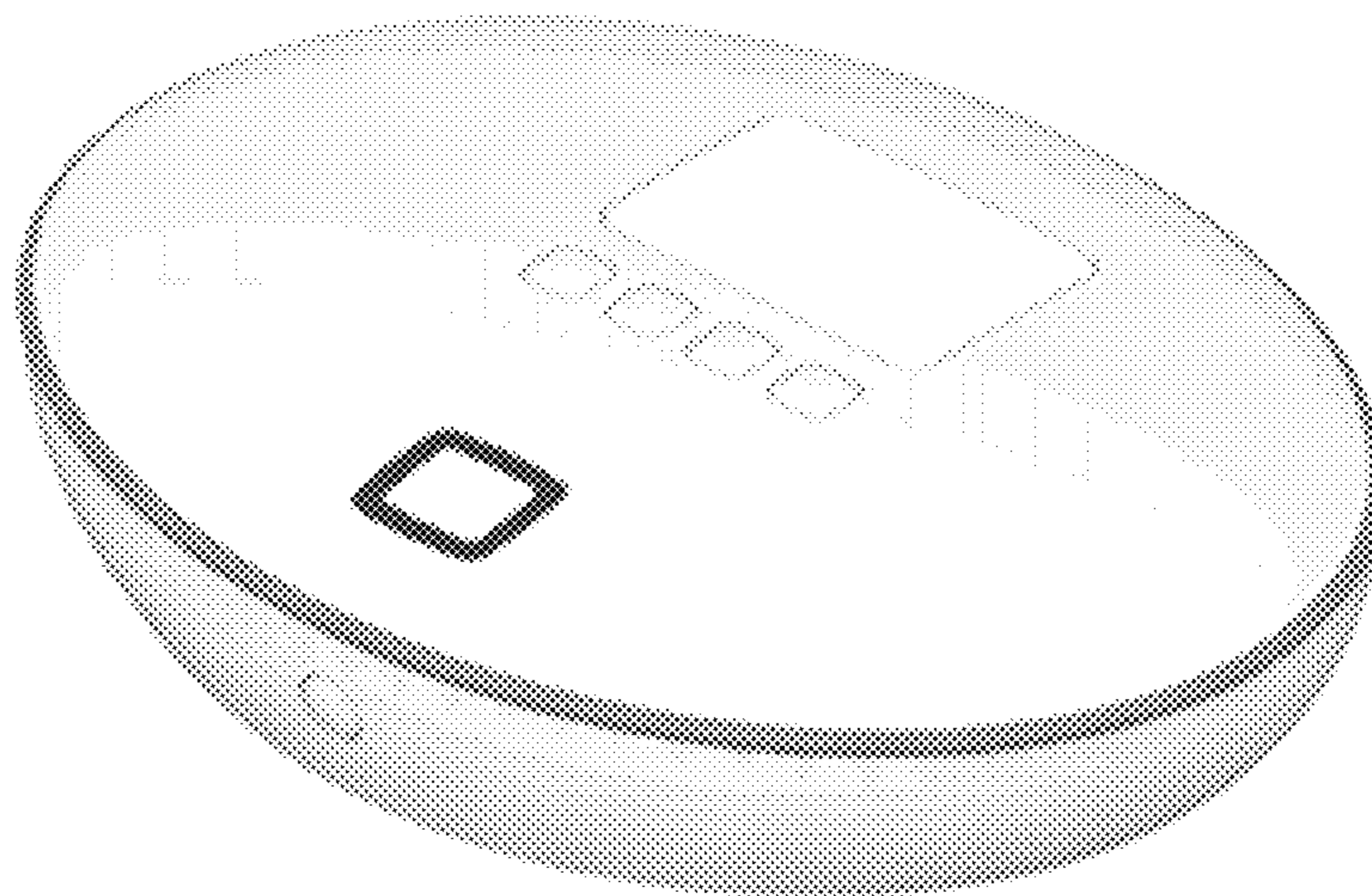


Fig. 1

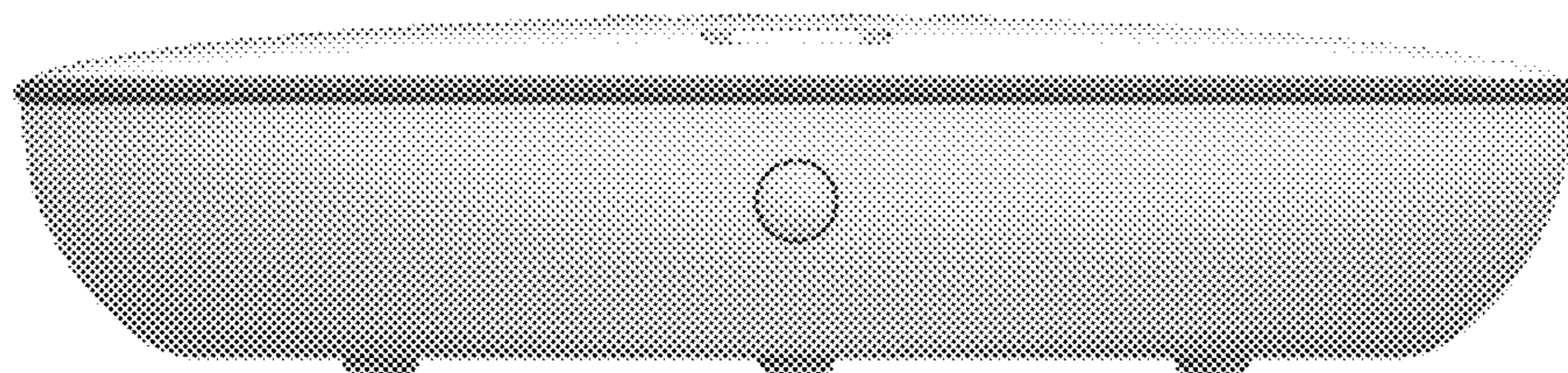


Fig. 2

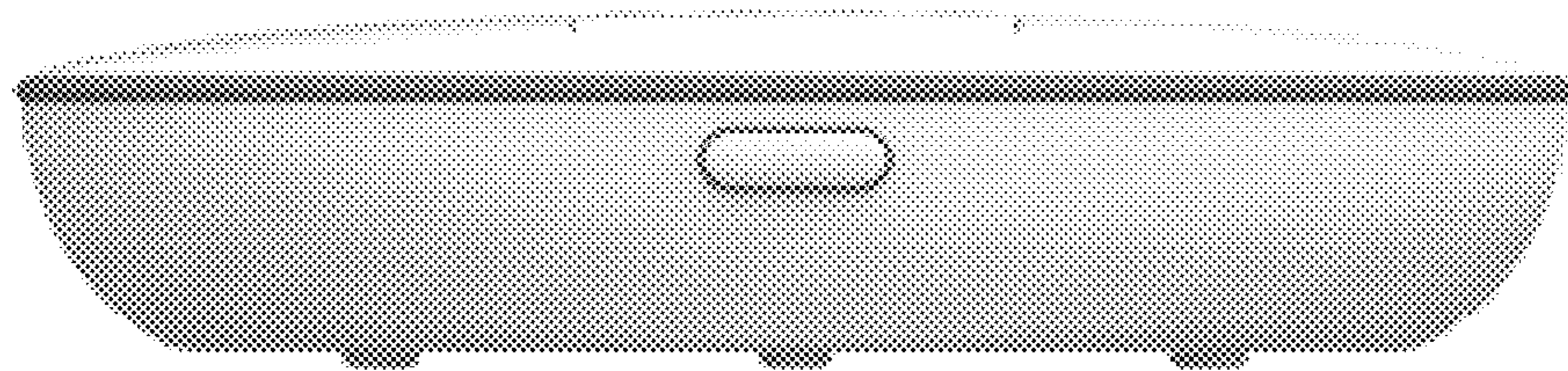


Fig. 3

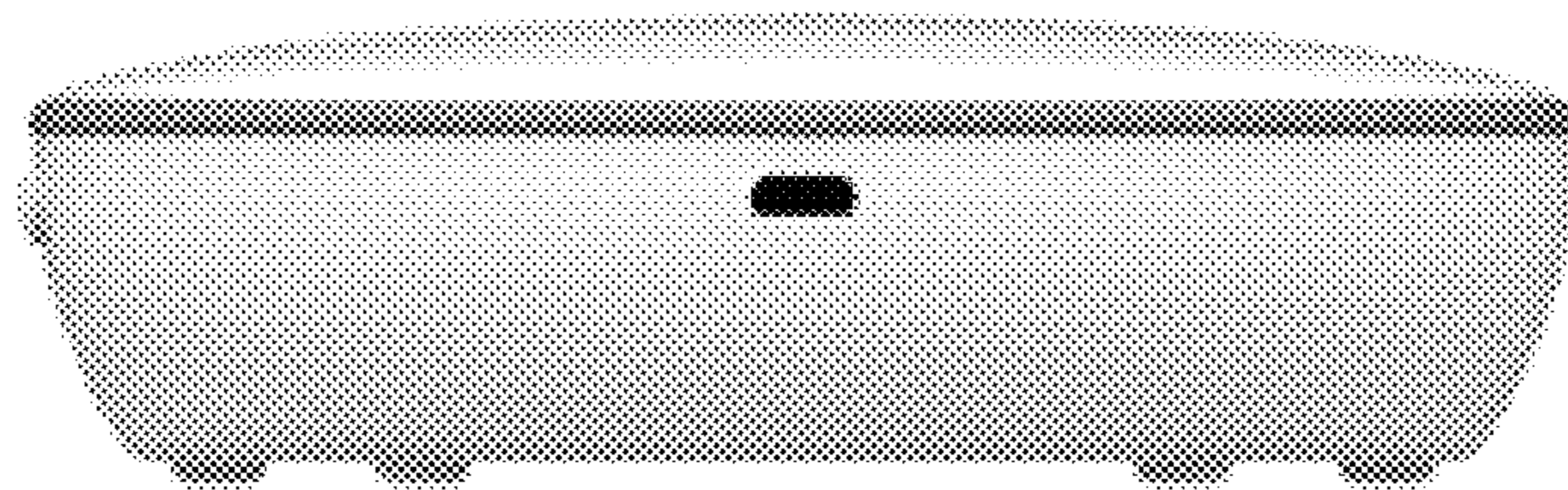


Fig. 4

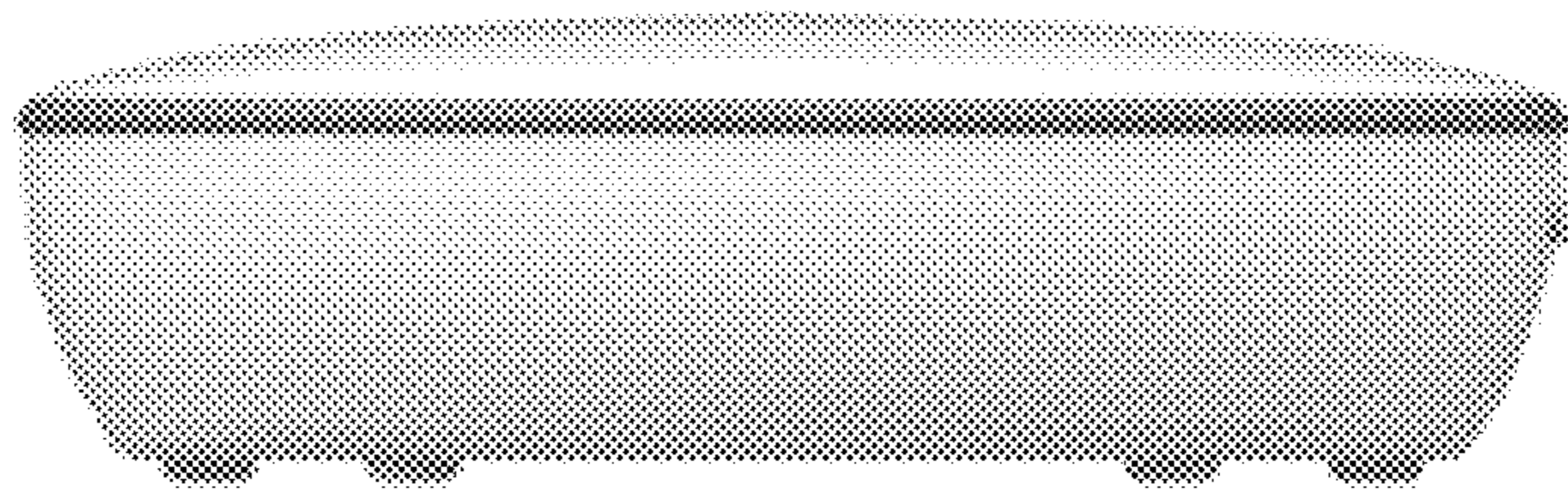




Fig. 5

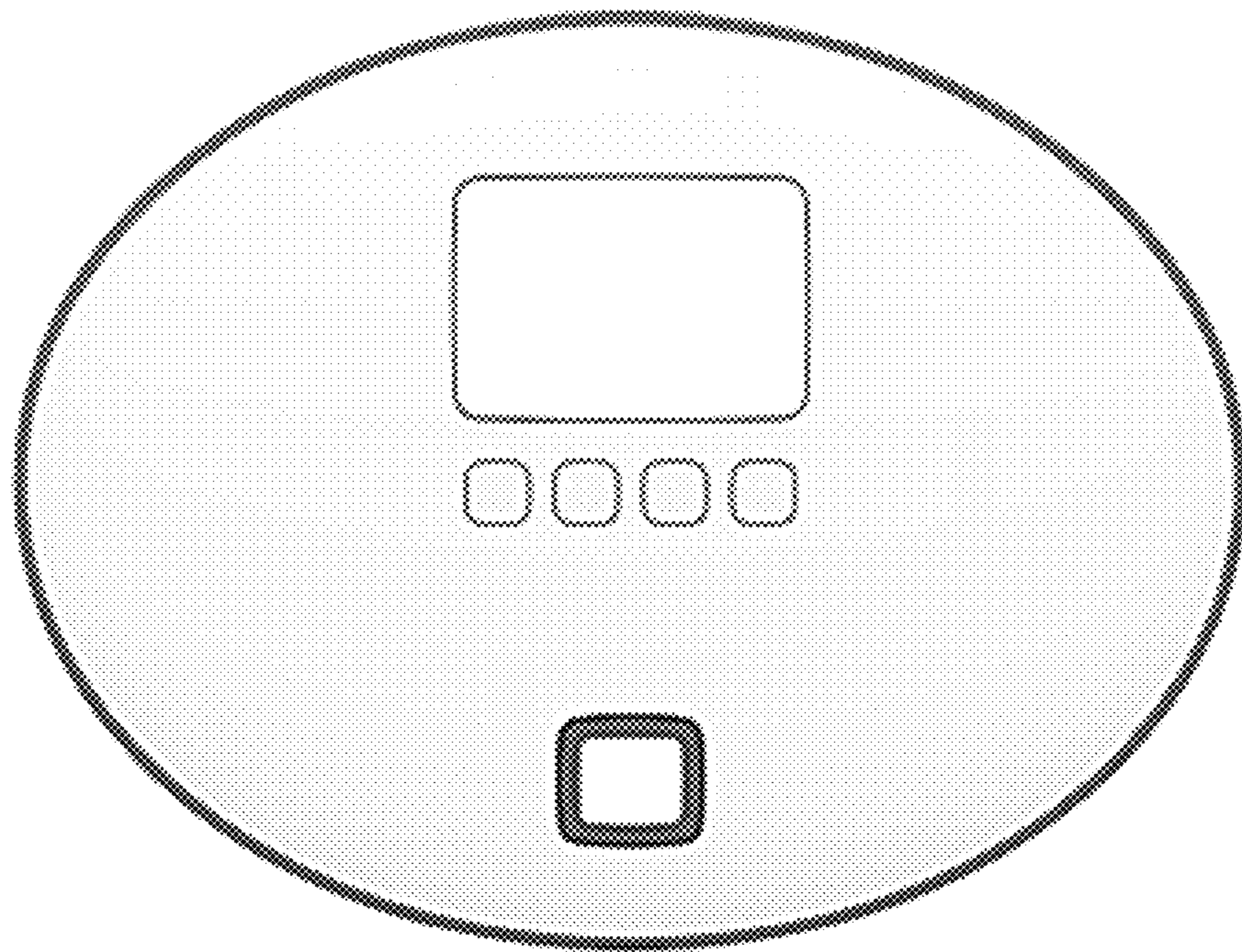


Fig. 6

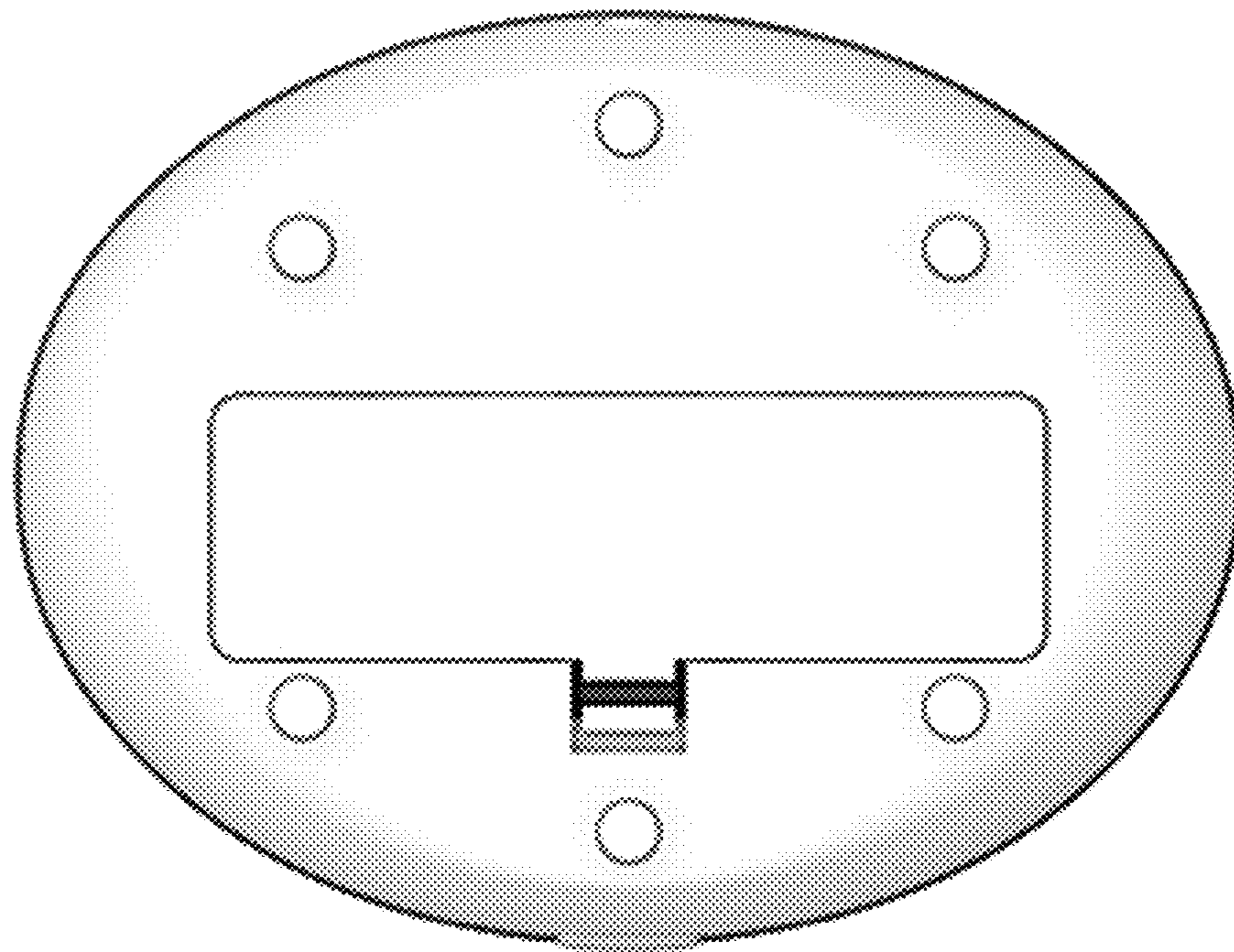


Fig. 7

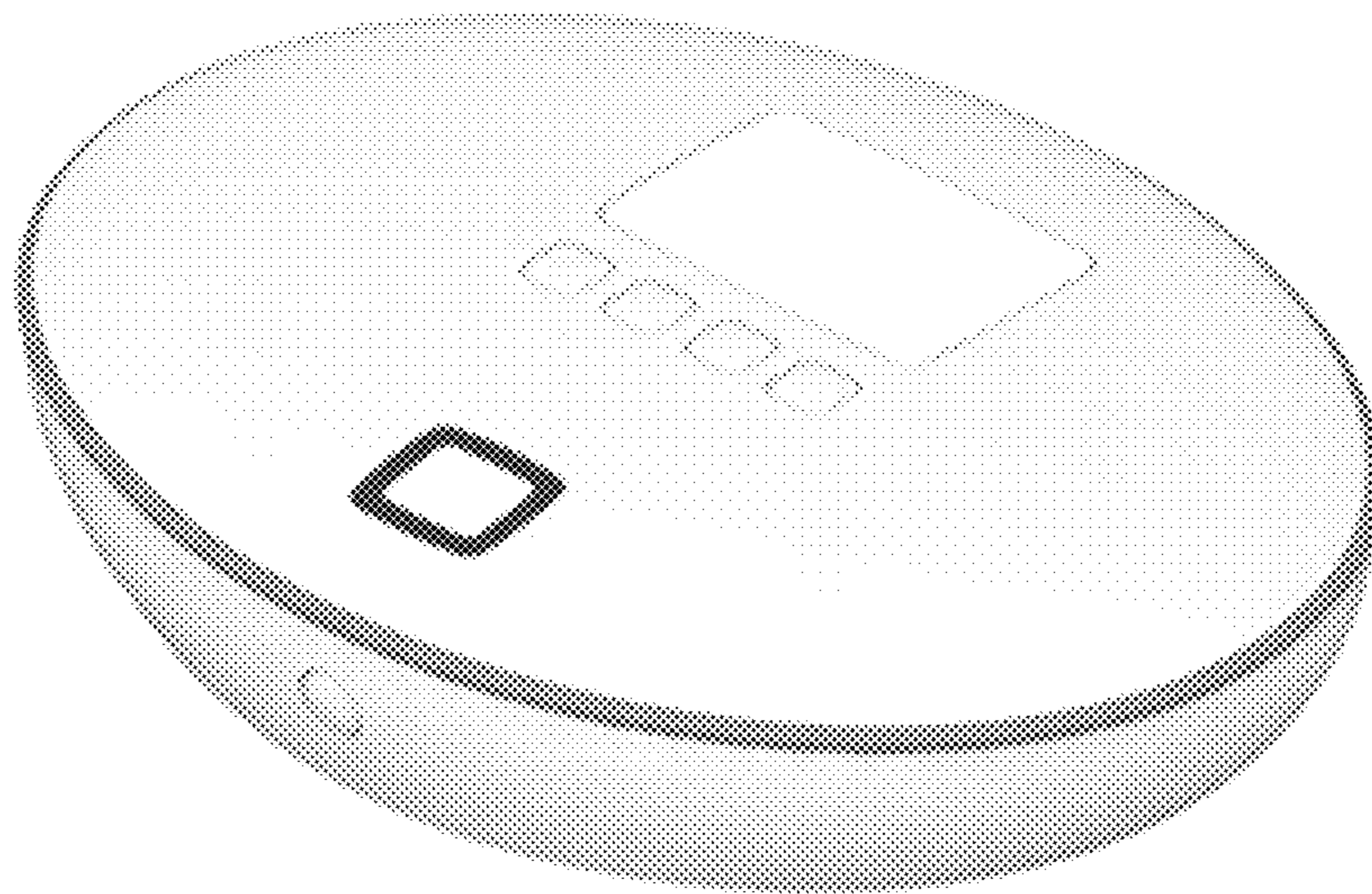




Fig. 8

