



US00D758588S

(12) **United States Design Patent**
Congy et al.

(10) **Patent No.:** **US D758,588 S**
(45) **Date of Patent:** **** Jun. 7, 2016**

(54) **DENTAL INTRA-ORAL SENSOR HOLDER**

(71) Applicant: **Carestream Health, Inc.**, Rochester, NY (US)

(72) Inventors: **Philippe Congy**, Meaux (FR); **Alain Lemaire**, Quincy-Voisins (FR); **Olivier Hong**, Roissy (FR); **Thomas Souyris**, Roissy (FR)

(73) Assignee: **Carestream Health, Inc.**, Rochester, NY (US)

(**) Term: **14 Years**

(21) Appl. No.: **29/495,969**

(22) Filed: **Jul. 8, 2014**

(51) **LOC (10) Cl.** **24-01**

(52) **U.S. Cl.**
USPC **D24/161**

(58) **Field of Classification Search**
USPC D24/158-161, 152, 176, 177, 186, 187, D24/128; 378/38, 39, 167, 168, 170, 177, 378/180, 191, 205, 208; 433/27, 29
CPC .. G03B 42/025; G03B 42/042; A61B 6/4435; A61B 6/145

See application file for complete search history.

(56) **References Cited**

U.S. PATENT DOCUMENTS

5,505,203 A * 4/1996 Deitrich A61B 8/4438
600/437
6,619,838 B2 * 9/2003 Bencini A61B 6/587
378/189

D698,022 S * 1/2014 Flanagan D24/161
D712,043 S * 8/2014 Sliger D24/186
D715,926 S * 10/2014 Suzuki D24/128
D727,505 S * 4/2015 Choudhary D24/158
2006/0115053 A1 * 6/2006 Nanni A61B 6/145
378/170
2013/0034825 A1 * 2/2013 Phillips A61B 1/00016
433/29
2013/0183633 A1 * 7/2013 Dillon A61B 5/742
433/31

* cited by examiner

Primary Examiner — Anhdao Doan

(57) **CLAIM**

The ornamental design for a dental intra-oral sensor holder, as shown and described.

DESCRIPTION

FIG. 1 is a front perspective view of a dental intra-oral sensor holder showing our new design.
FIG. 2 is an exploded front perspective view thereof
FIG. 3 is a front view thereof.
FIG. 4 is a top side view thereof.
FIG. 5 is a bottom side view thereof.
FIG. 6 is a left side view thereof.
FIG. 7 is a right side view thereof; and,
FIG. 8 is a rear side view thereof.

The broken lines showing in the drawing views are for the purpose of illustrating environmental structure and form no part of the claimed design.

1 Claim, 8 Drawing Sheets

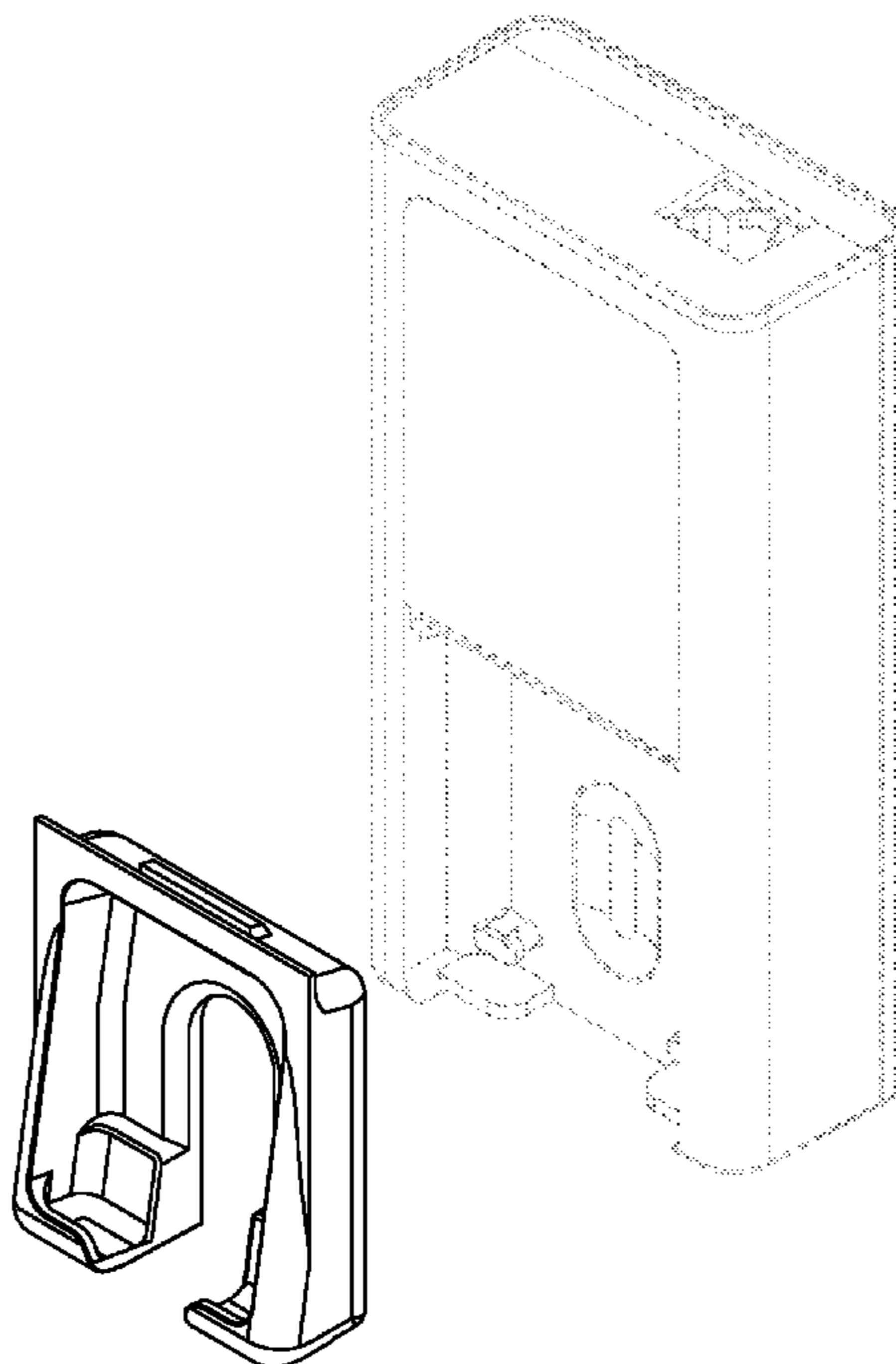


FIG. 1

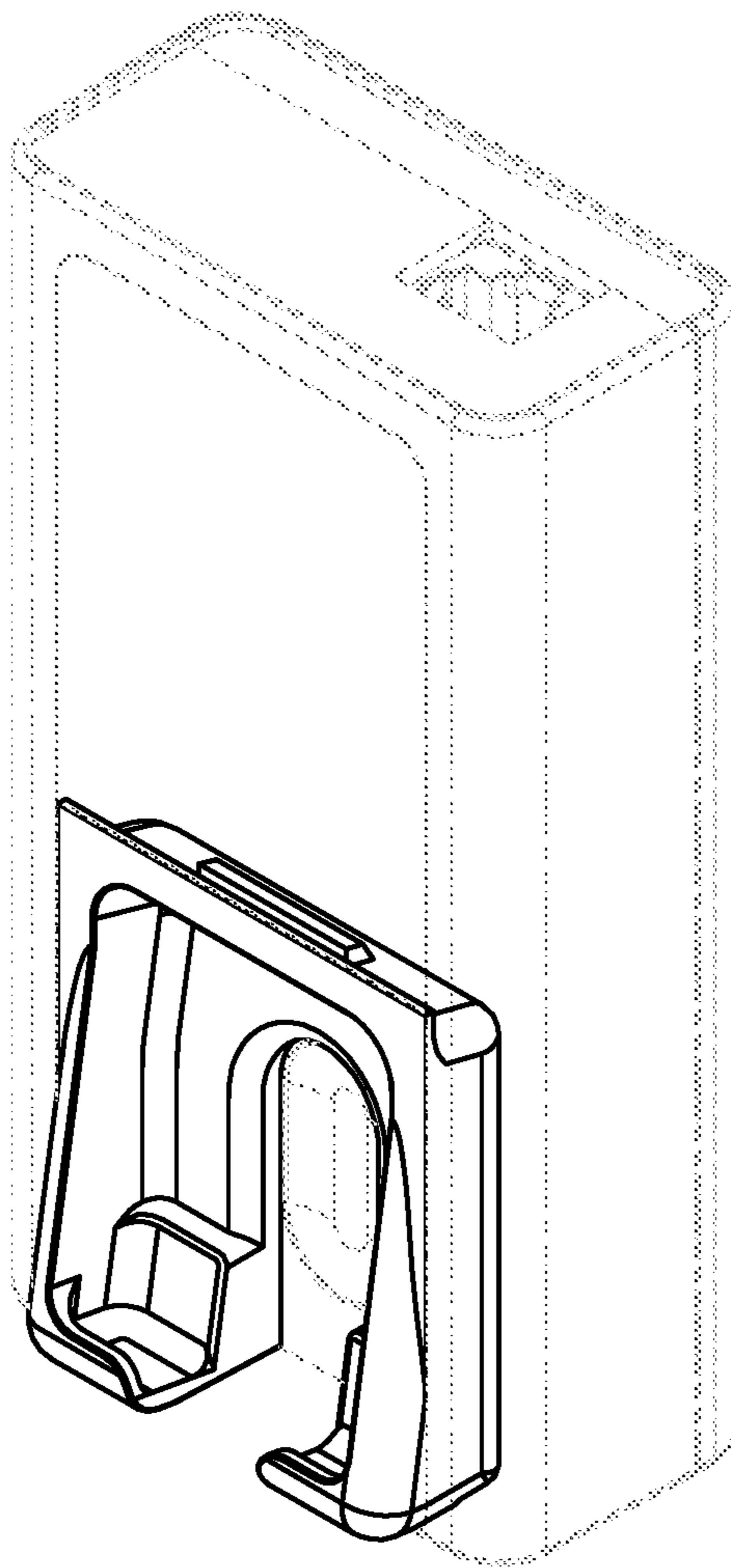


FIG. 2

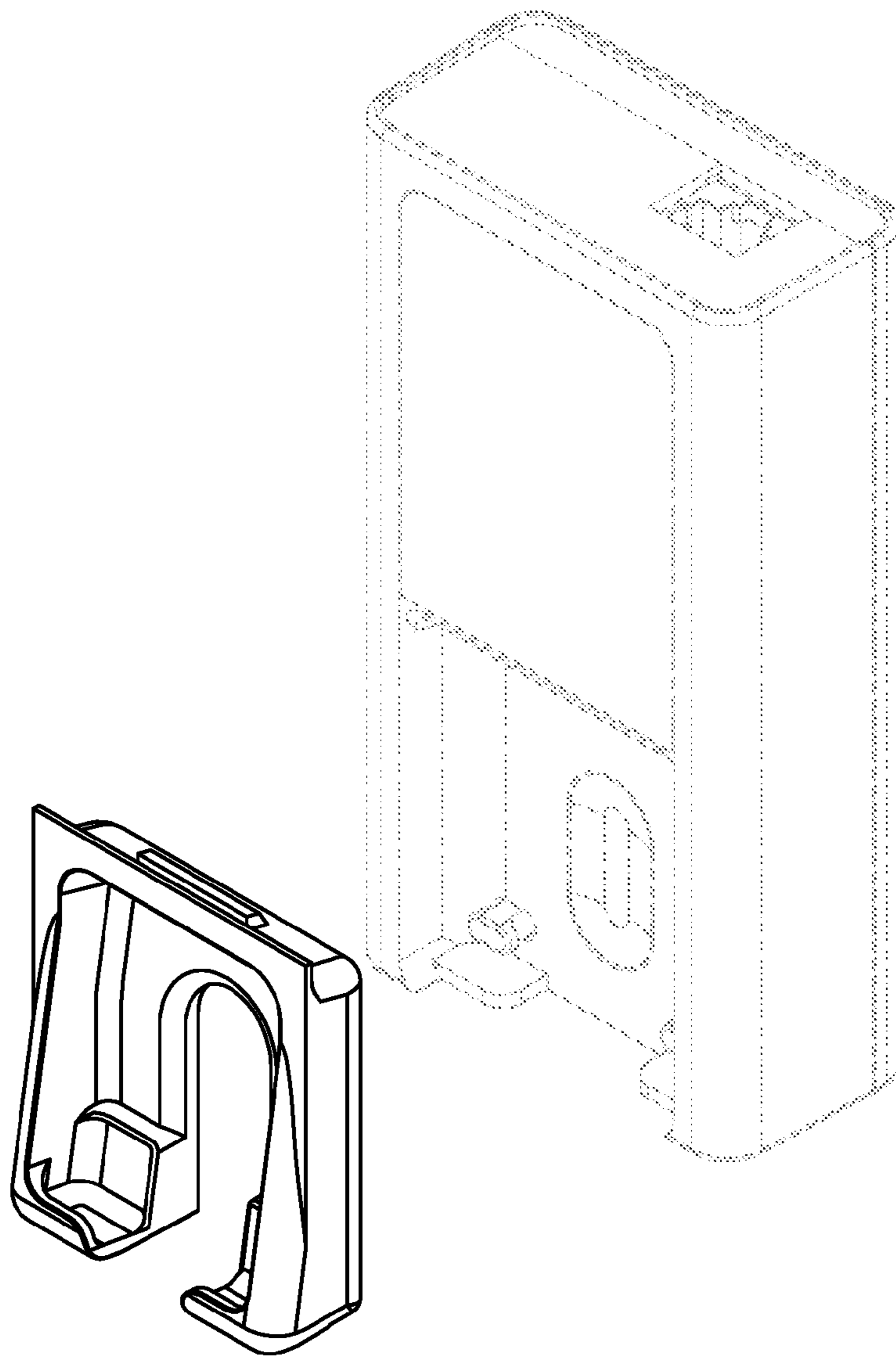


FIG. 3

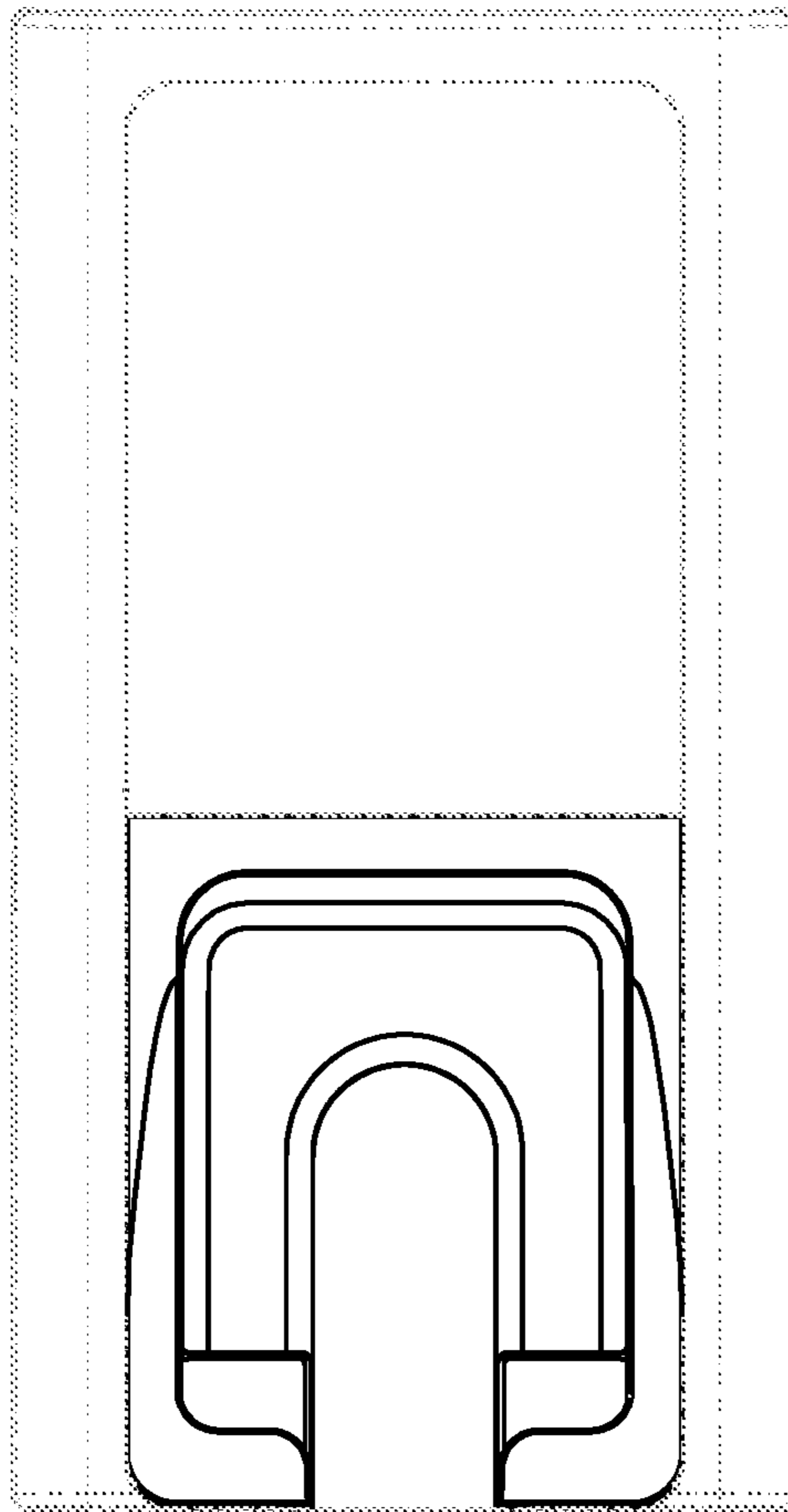


FIG. 4

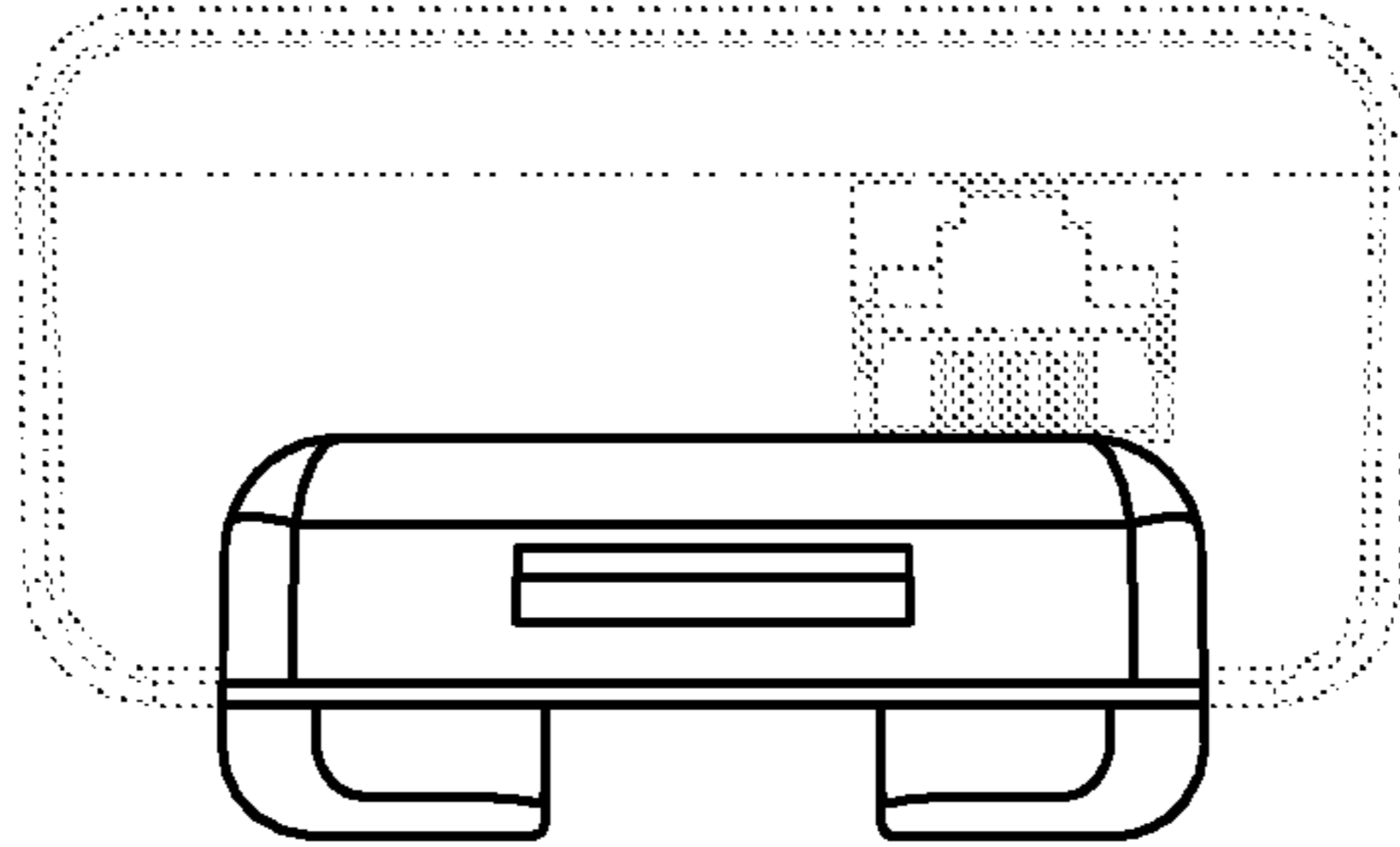


FIG. 5

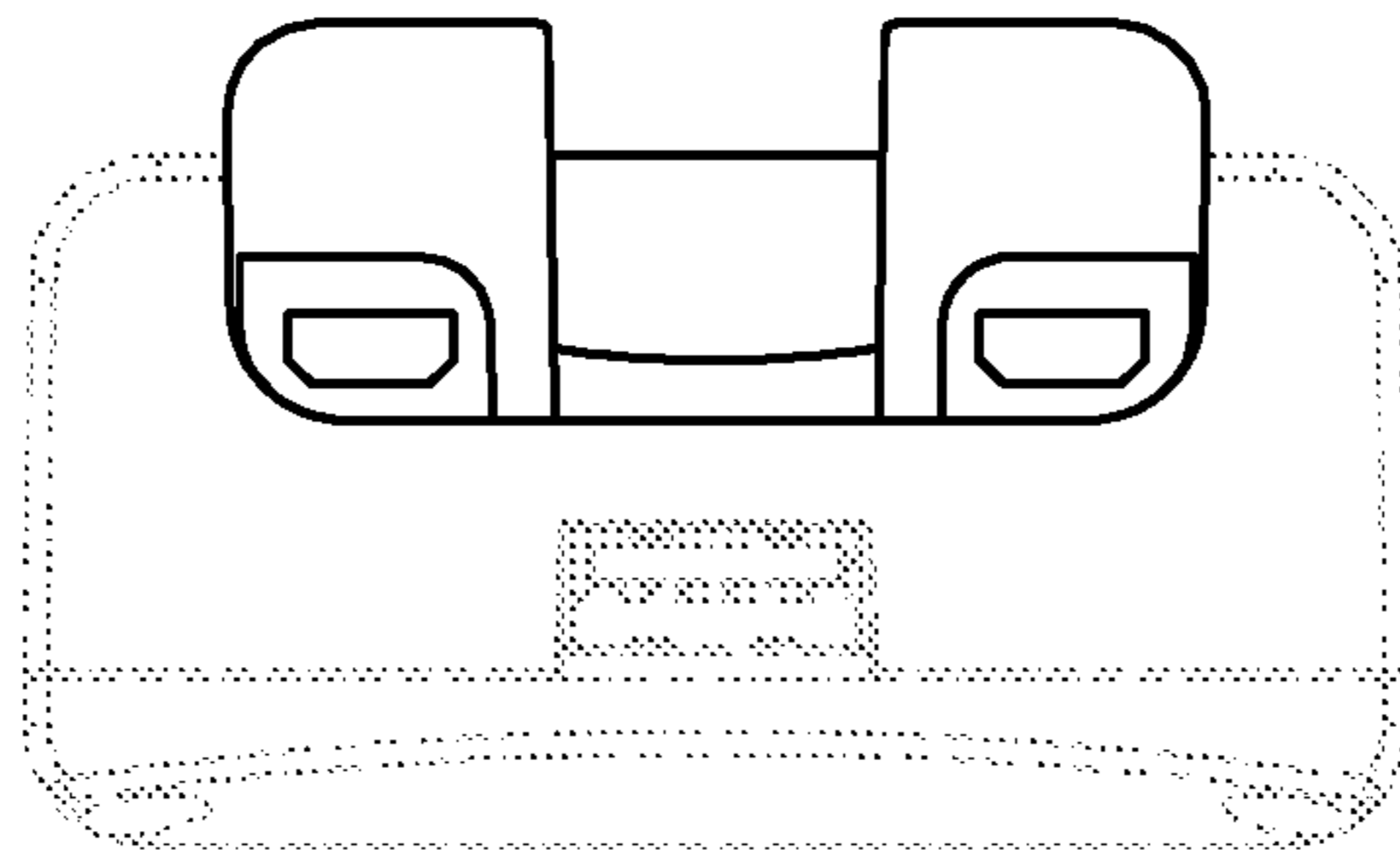


FIG. 6

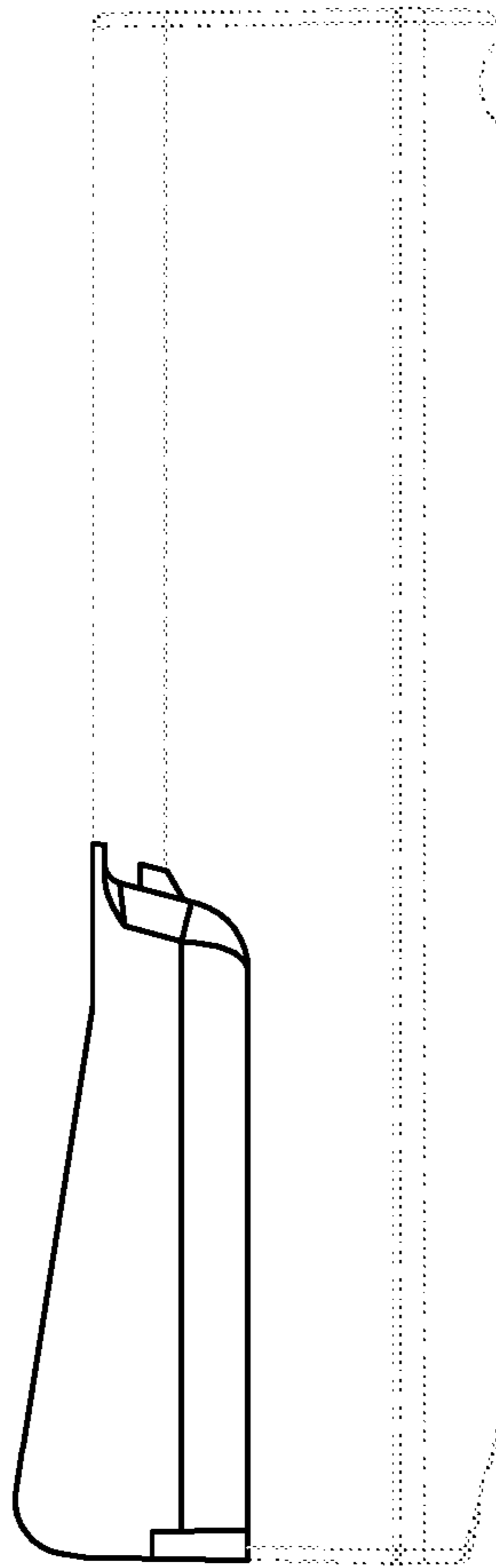


FIG. 7

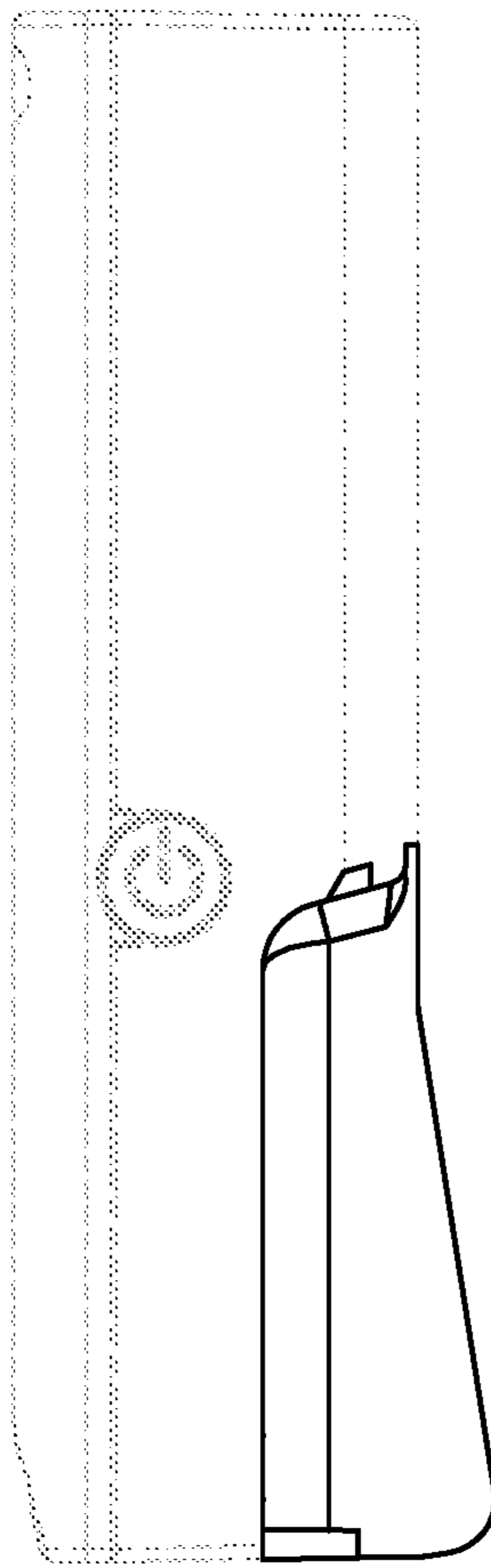


FIG. 8

