



US00D758587S

(12) **United States Design Patent**
Eberler et al.

(10) **Patent No.:** **US D758,587 S**
(45) **Date of Patent:** **** Jun. 7, 2016**

(54) **MAGNETIC RESONANCE TOMOGRAPHY APPARATUS**

- (71) Applicant: **Siemens Aktiengesellschaft**, Munich (DE)
- (72) Inventors: **Michael Eberler**, Postbauer-Heng (DE); **Florian Hilbig**, Berg (DE); **Dirk Licht**, Munich (DE); **Bernd Maciejewski**, Markt Erlbach (DE)
- (73) Assignee: **Siemens Aktiengesellschaft**, Munich (DE)
- (**) Term: **14 Years**
- (21) Appl. No.: **29/526,124**
- (22) Filed: **May 6, 2015**

Related U.S. Application Data

- (62) Division of application No. 29/454,165, filed on May 7, 2013.

Foreign Application Priority Data

- Nov. 7, 2012 (EM) 001350144
- (51) **LOC (10) Cl.** **24-01**
- (52) **U.S. Cl.**
USPC **D24/158**
- (58) **Field of Classification Search**
USPC D24/158-161, 185, 186; 378/4, 21-27, 378/38, 40, 102, 196-198; 600/410, 422
CPC A61B 5/05; A61B 5/055
See application file for complete search history.

(56) **References Cited**

U.S. PATENT DOCUMENTS

D628,294 S *	11/2010	Baba	D24/158
D683,025 S *	5/2013	Banryu	D24/158
D701,309 S *	3/2014	Ohmukai	D24/158
D715,444 S *	10/2014	Zhi	D24/159
D715,944 S *	10/2014	Yao et al.	D24/159
D716,948 S *	11/2014	Yokoyama et al.	D24/158
D726,918 S *	4/2015	Gnielka et al.	D24/158

* cited by examiner

Primary Examiner — Anhdao Doan

(74) *Attorney, Agent, or Firm* — Schiff Hardin LLP

(57) **CLAIM**

The ornamental design for a magnetic resonance tomography apparatus, as shown and described.

DESCRIPTION

FIG. 1 is an isometric perspective view of an embodiment of a magnetic resonance tomography apparatus, showing our new design;

FIG. 2 is a front elevation view of the magnetic resonance tomography apparatus shown in FIG. 1;

FIG. 3 is a rear elevation view of the magnetic resonance tomography apparatus shown in FIG. 1;

FIG. 4 is a top plan view of the magnetic resonance tomography apparatus shown in FIG. 1;

FIG. 5 is a bottom plan view of the magnetic resonance tomography apparatus shown in FIG. 1;

FIG. 6 is right elevation view of the magnetic resonance tomography apparatus shown in FIG. 1; and,

FIG. 7 is left elevation view of the magnetic resonance tomography apparatus shown in FIG. 1.

The broken lines in the drawings are included for the purpose of illustrating portions of the magnetic resonance tomography apparatus that form no part of the claimed design.

1 Claim, 7 Drawing Sheets

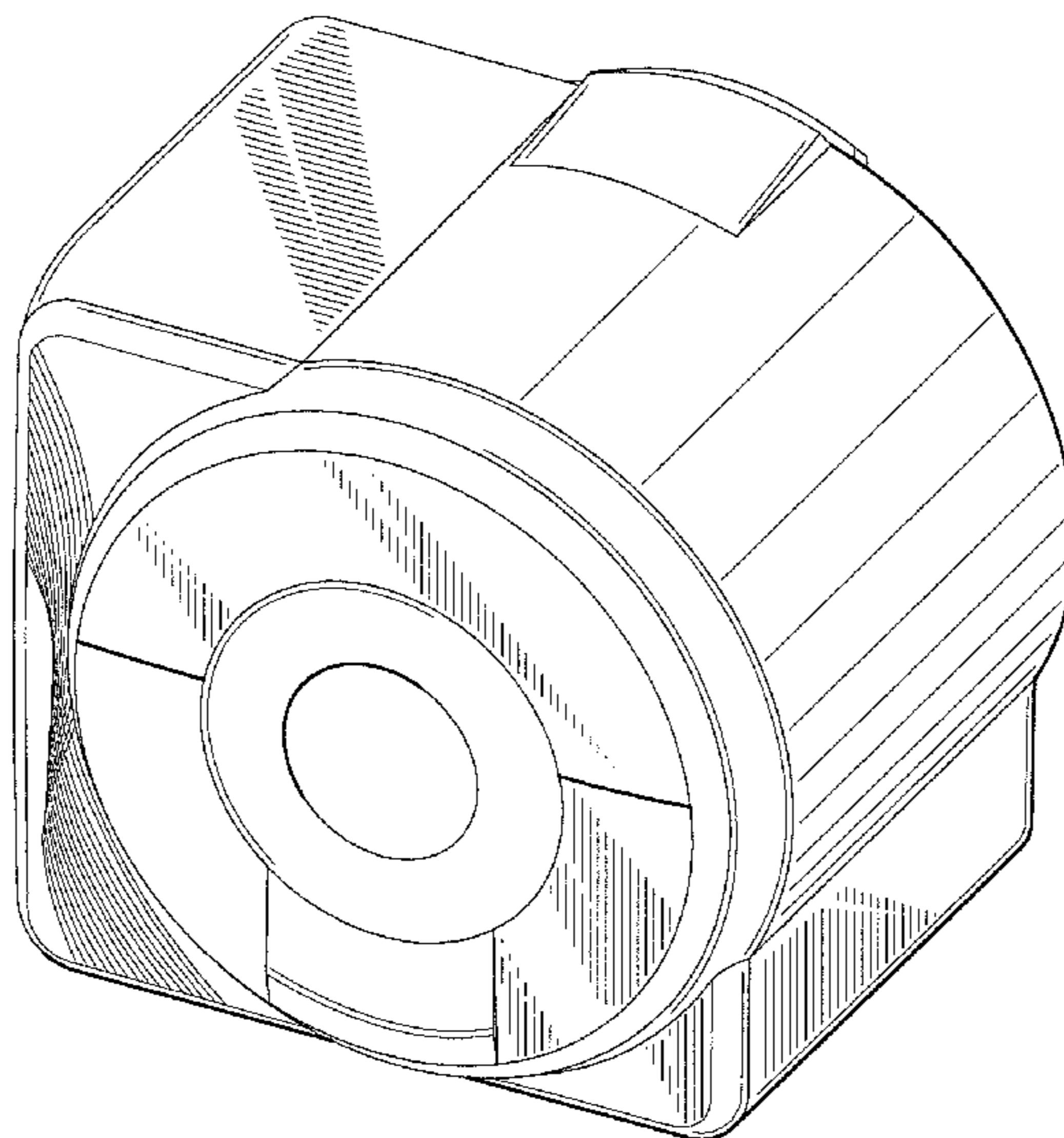


FIG. 1

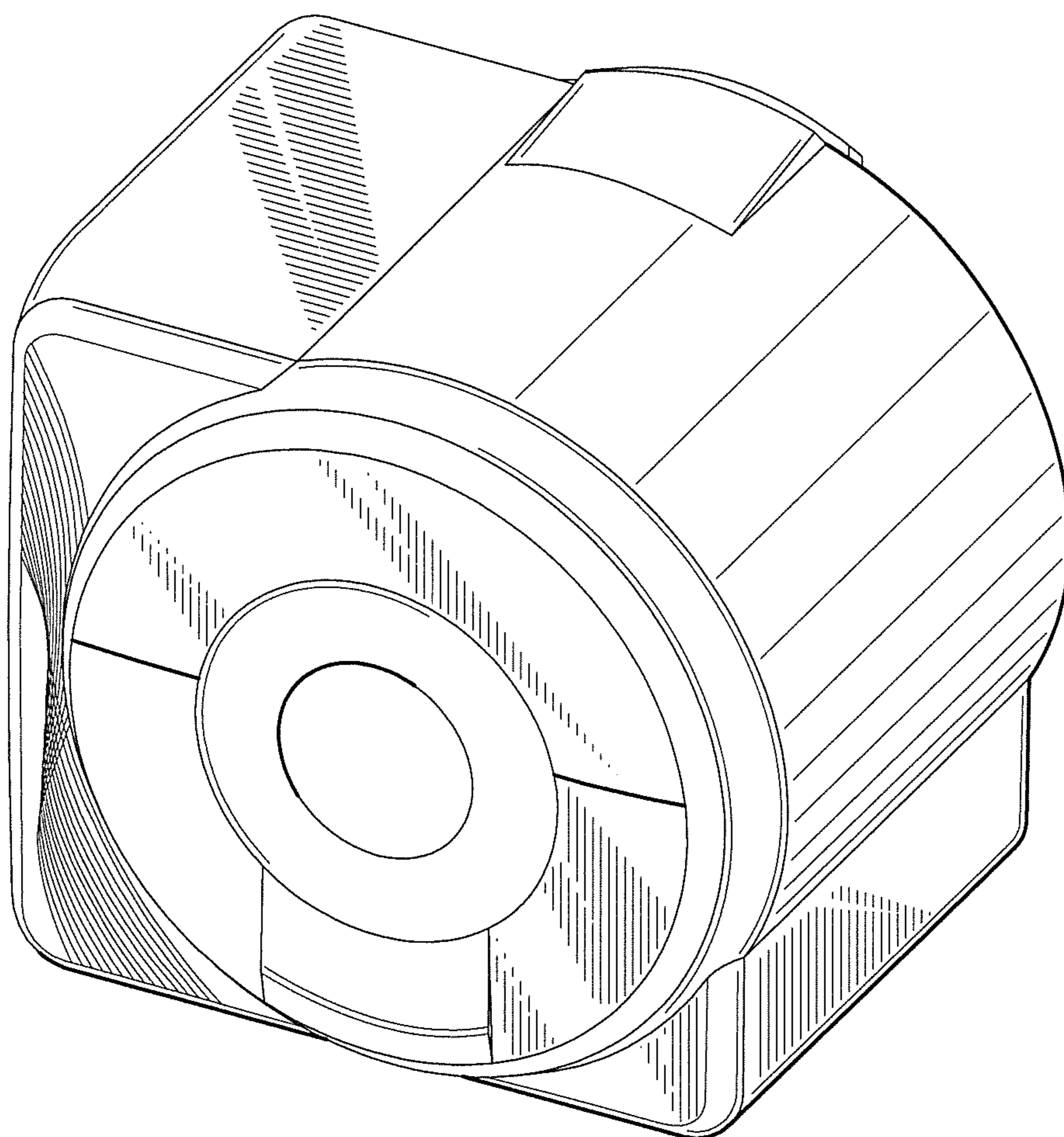


FIG. 2

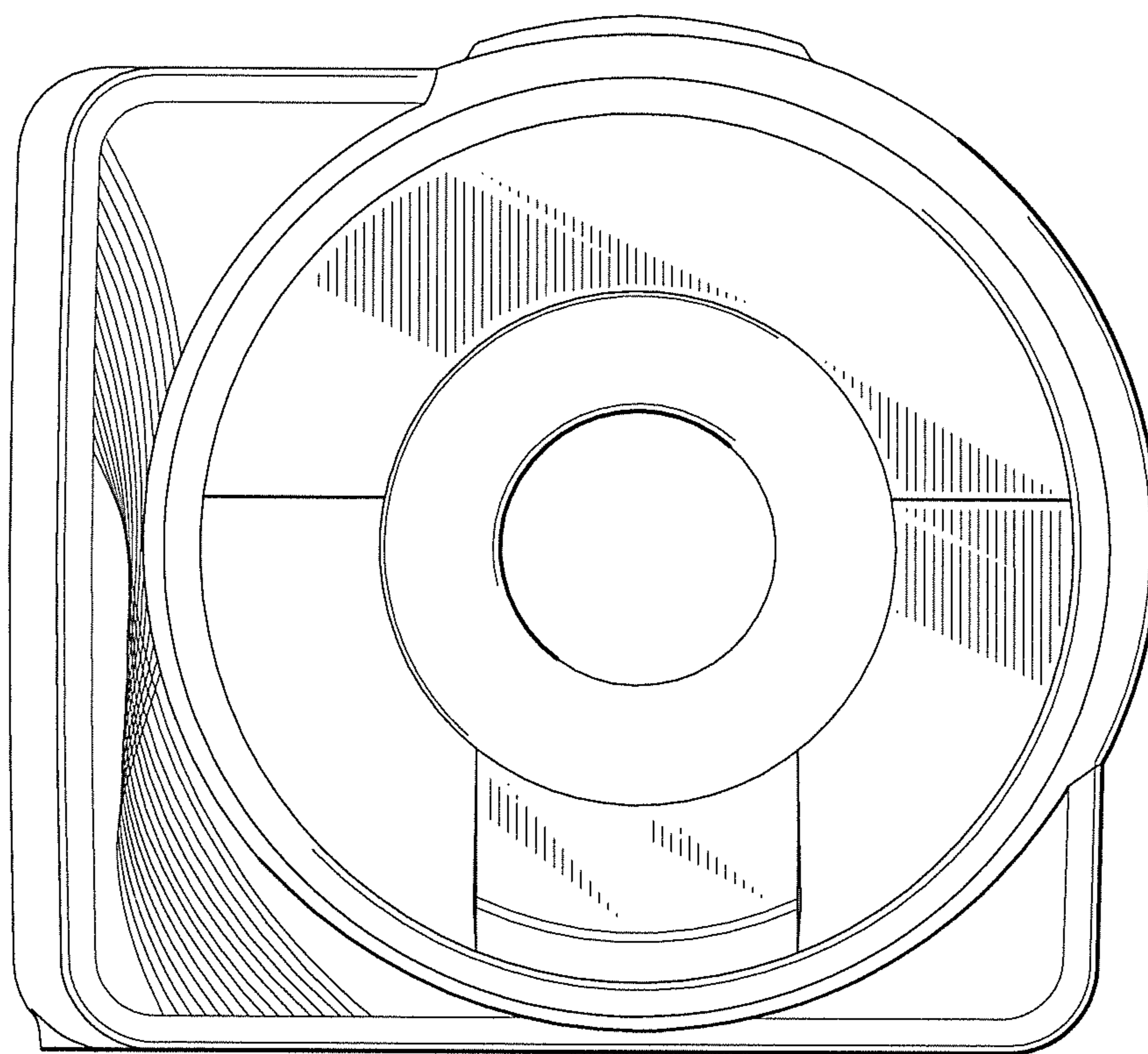


FIG. 3

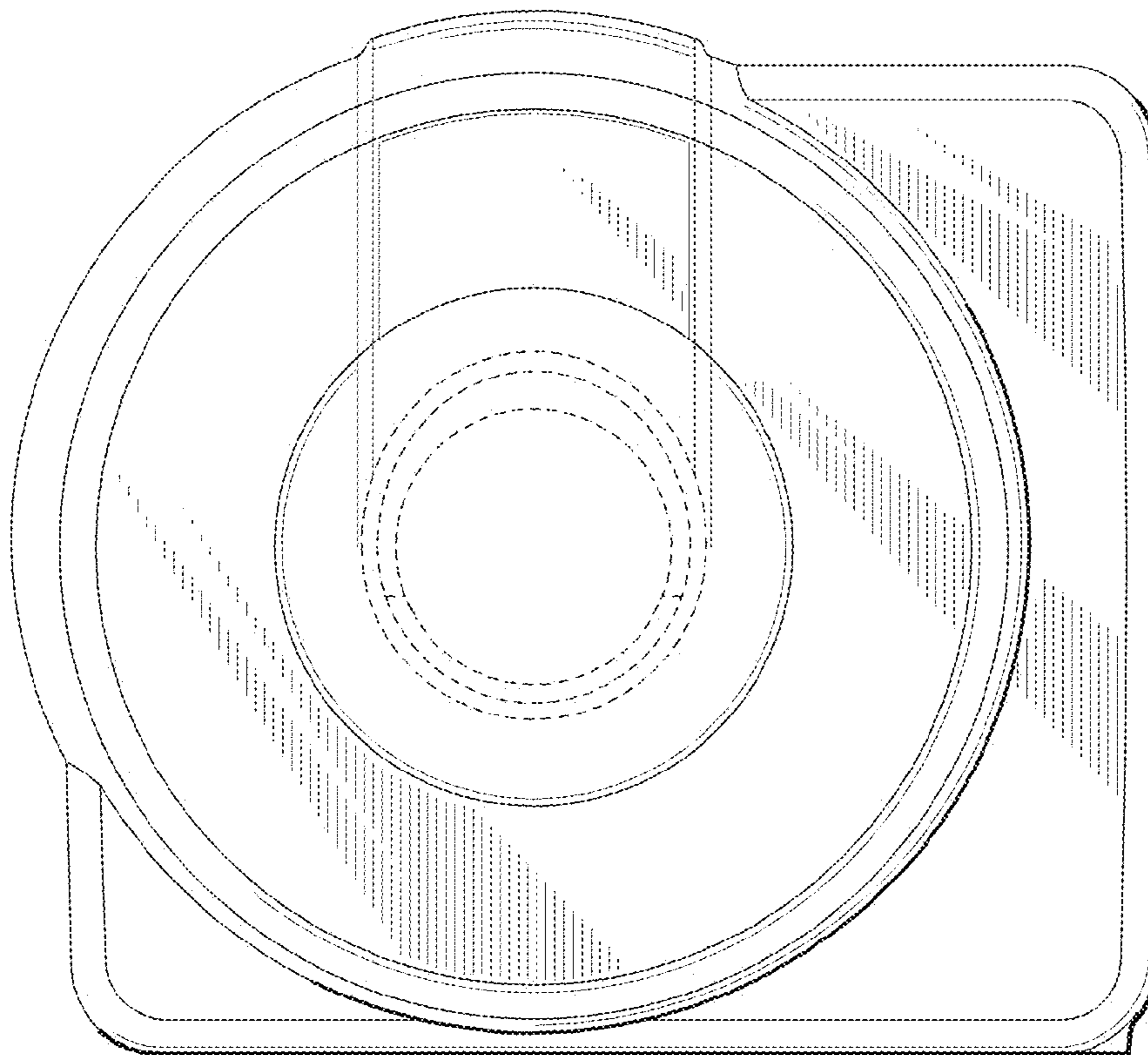


FIG. 4

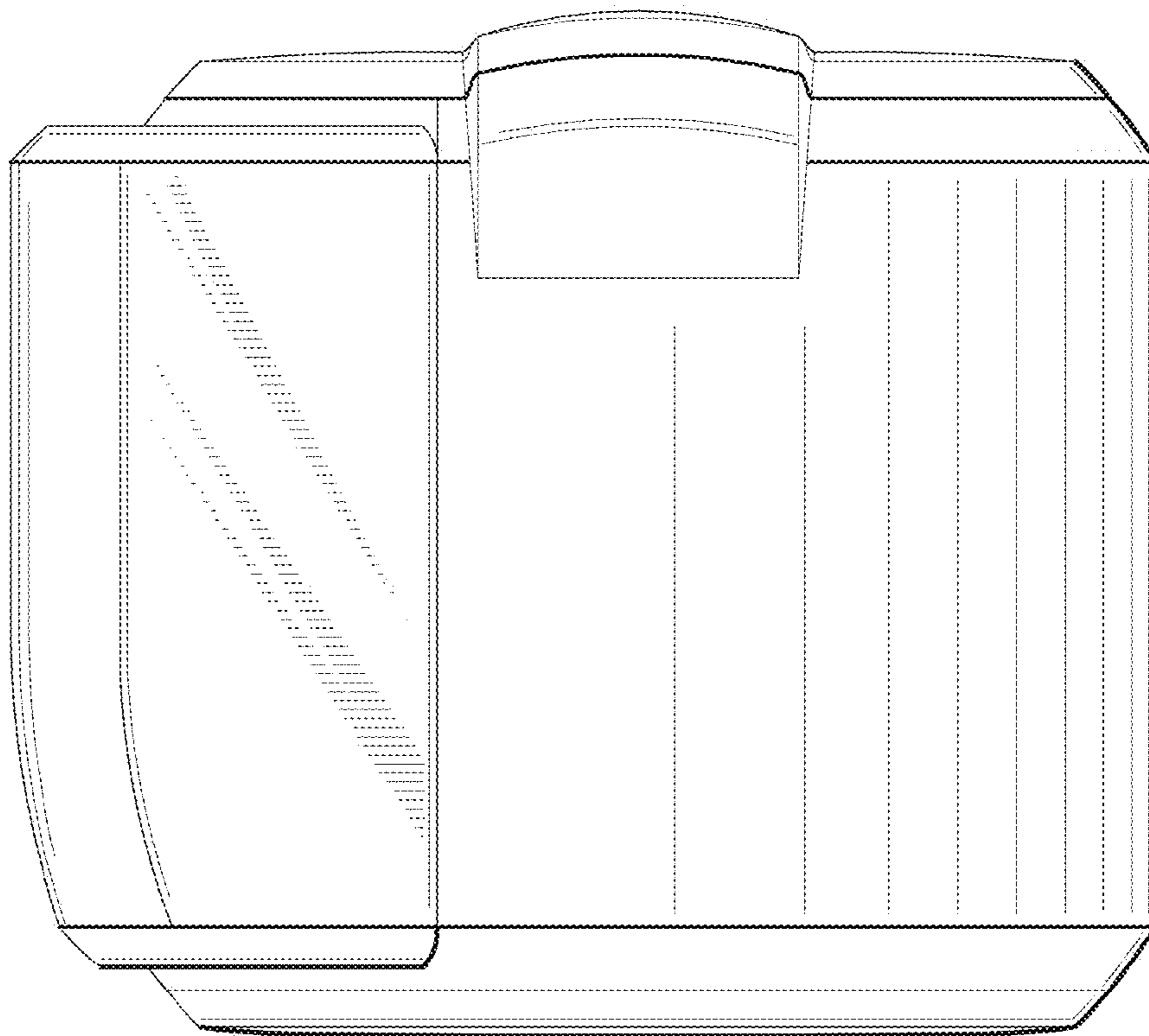


FIG. 5

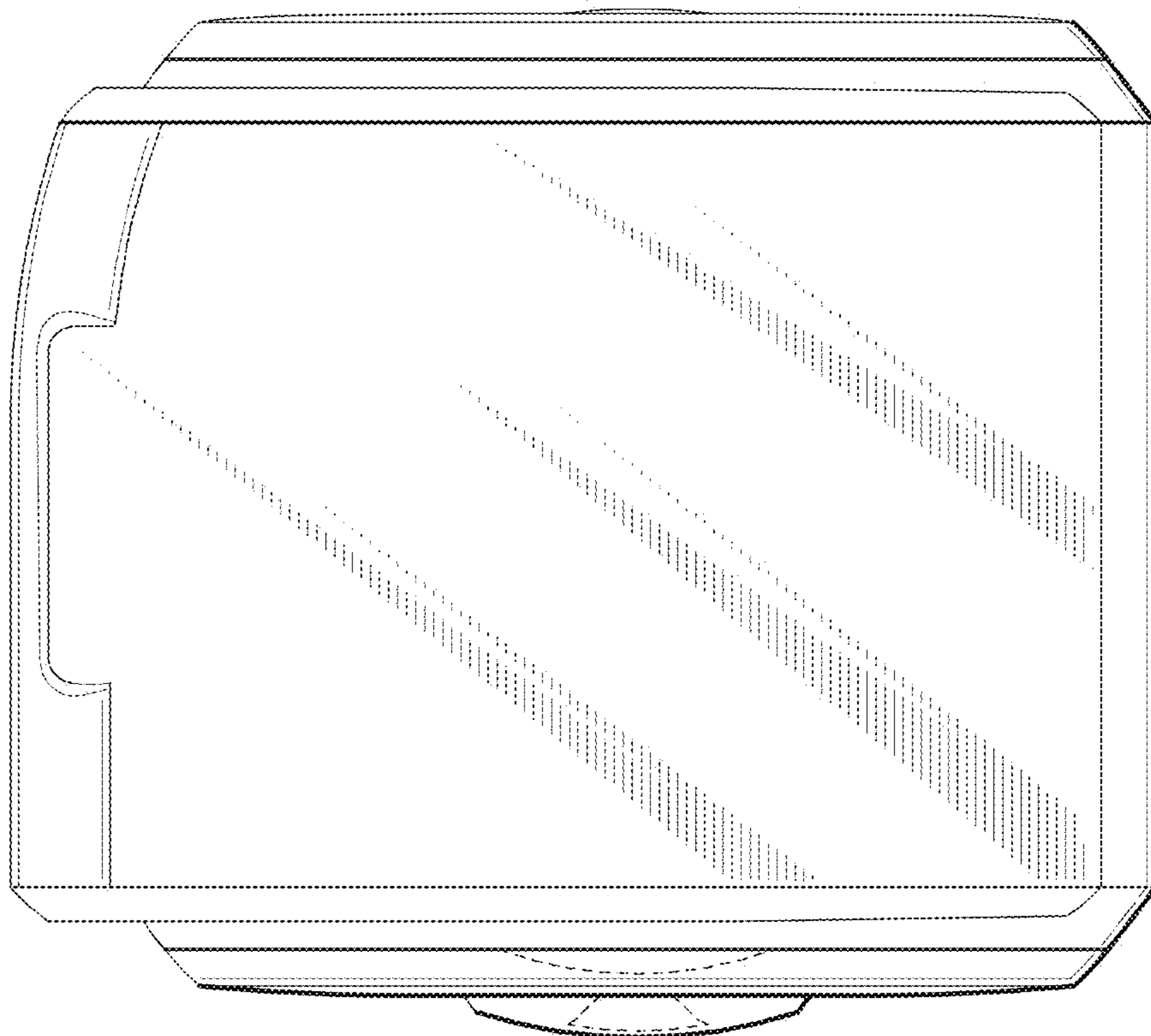


FIG. 6

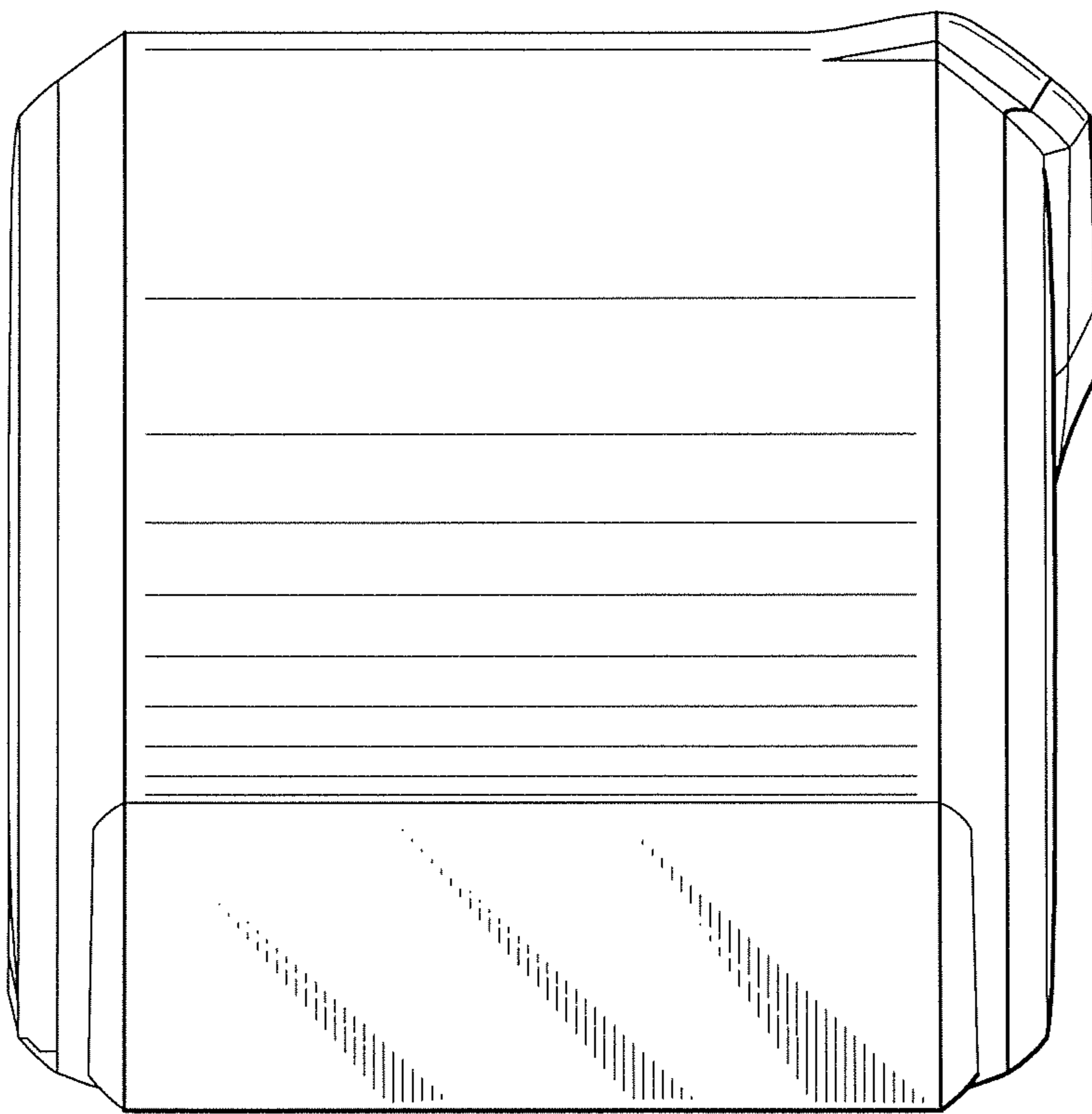


FIG. 7

