



US00D758586S

(12) **United States Design Patent**
Yokoyama et al.

(10) **Patent No.:** **US D758,586 S**

(45) **Date of Patent:** **** Jun. 7, 2016**

(54) **NEAR-INFRARED SPECTROSCOPY SYSTEM**

(56)

References Cited

(71) Applicant: **Hitachi Medical Corporation**, Tokyo
(JP)

(72) Inventors: **Masaru Yokoyama**, Tokyo (JP);
Takashi Ishizuka, Tokyo (JP); **Mikihiro**
Kaga, Tokyo (JP)

(73) Assignee: **Hitachi Medical Corporation**, Tokyo
(JP)

(**) Term: **14 Years**

(21) Appl. No.: **29/524,478**

(22) Filed: **Apr. 21, 2015**

(30) **Foreign Application Priority Data**

Oct. 24, 2014 (JP) 23828/2014

(51) **LOC (10) Cl.** **24-01**

(52) **U.S. Cl.**
USPC **D24/158**

(58) **Field of Classification Search**
USPC D24/158-161, 185, 186, 107; D10/81
CPC .. A61B 8/4405; A61B 5/0075; A61B 5/0261;
G01N 21/35; G01J 3/0202

See application file for complete search history.

U.S. PATENT DOCUMENTS

D650,482 S *	12/2011	Kim	D24/158
D657,469 S *	4/2012	Vilas	D24/185
D664,254 S *	7/2012	Yokoyama	D24/158
D680,650 S *	4/2013	Muraoka	D24/158
D687,151 S *	7/2013	Yokoyama	D24/160
D702,842 S *	4/2014	Hyde	D24/185
D713,035 S *	9/2014	Kim	D24/158
D731,910 S *	6/2015	Muraoka	D10/81
2013/0021732 A1 *	1/2013	Nakajima	A61B 8/4405 361/679.01

* cited by examiner

Primary Examiner — Anhdao Doan

(74) *Attorney, Agent, or Firm* — Fitch, Even, Tabin and
Flannery LLP

(57) **CLAIM**

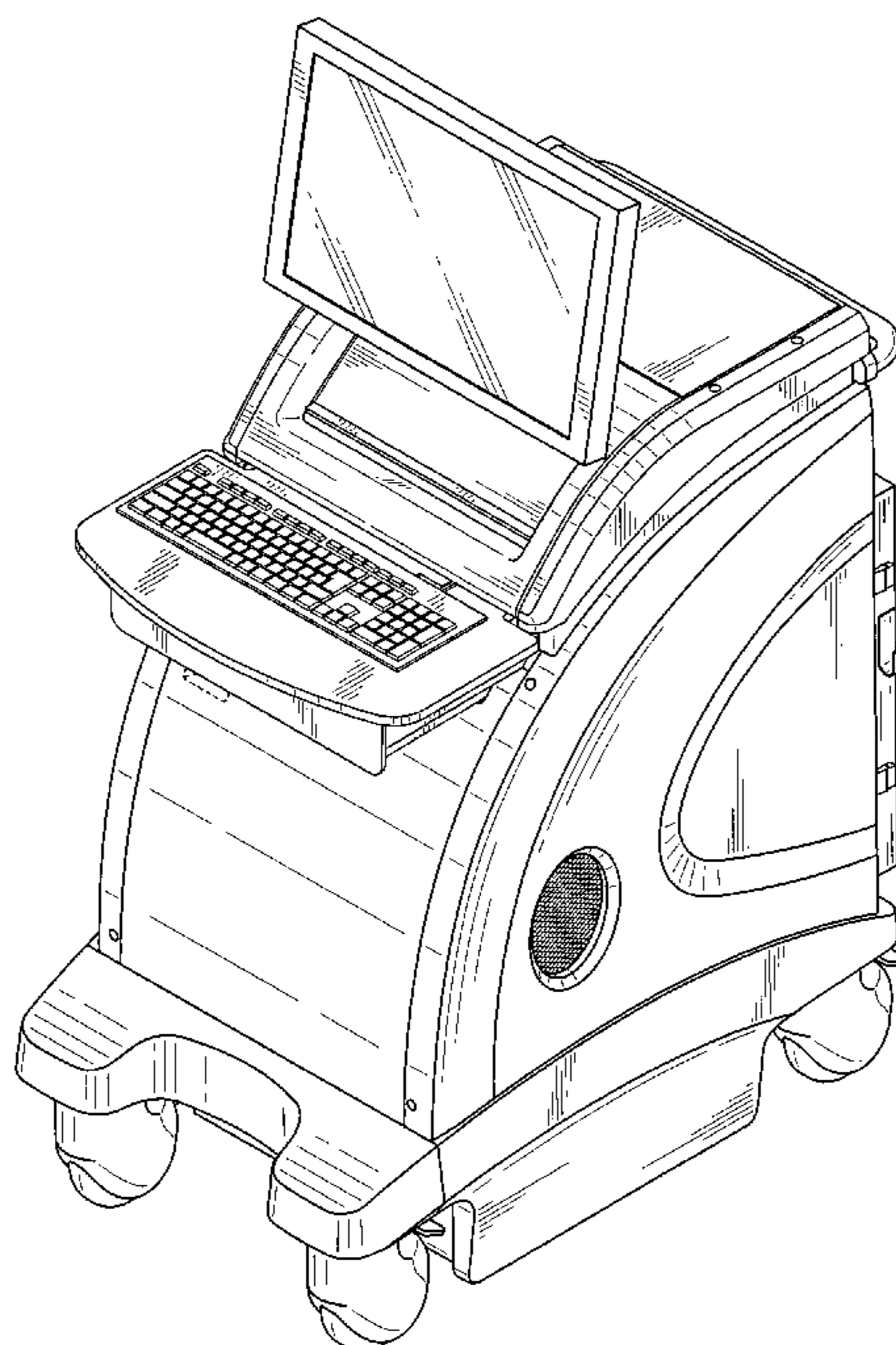
We claim the ornamental design for a near-infrared spectroscopy system, as shown and described.

DESCRIPTION

FIG. 1 is a front, top and right side perspective view of a near-infrared spectroscopy system showing our new design; FIG. 2 is a front elevational view thereof; FIG. 3 is a rear side elevational view thereof; FIG. 4 is a left side elevational view thereof; FIG. 5 is a right side elevational view thereof; FIG. 6 is a top plan view thereof; and, FIG. 7 is a bottom plan view thereof.

The broken lines in the drawing views are included for the purpose of illustrating portions of the near-infrared spectroscopy system that form no part of the claimed design.

1 Claim, 7 Drawing Sheets



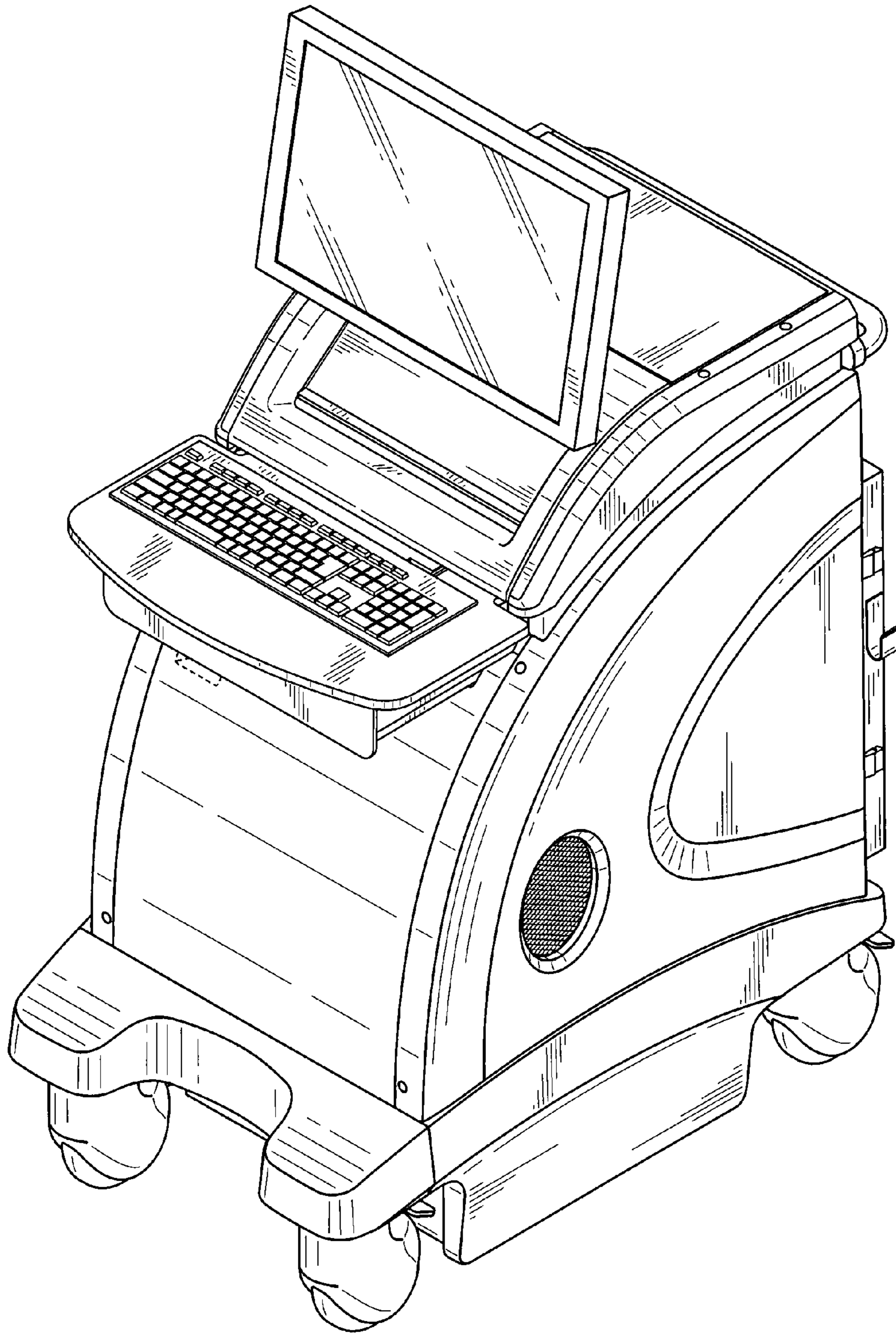


FIG. 1

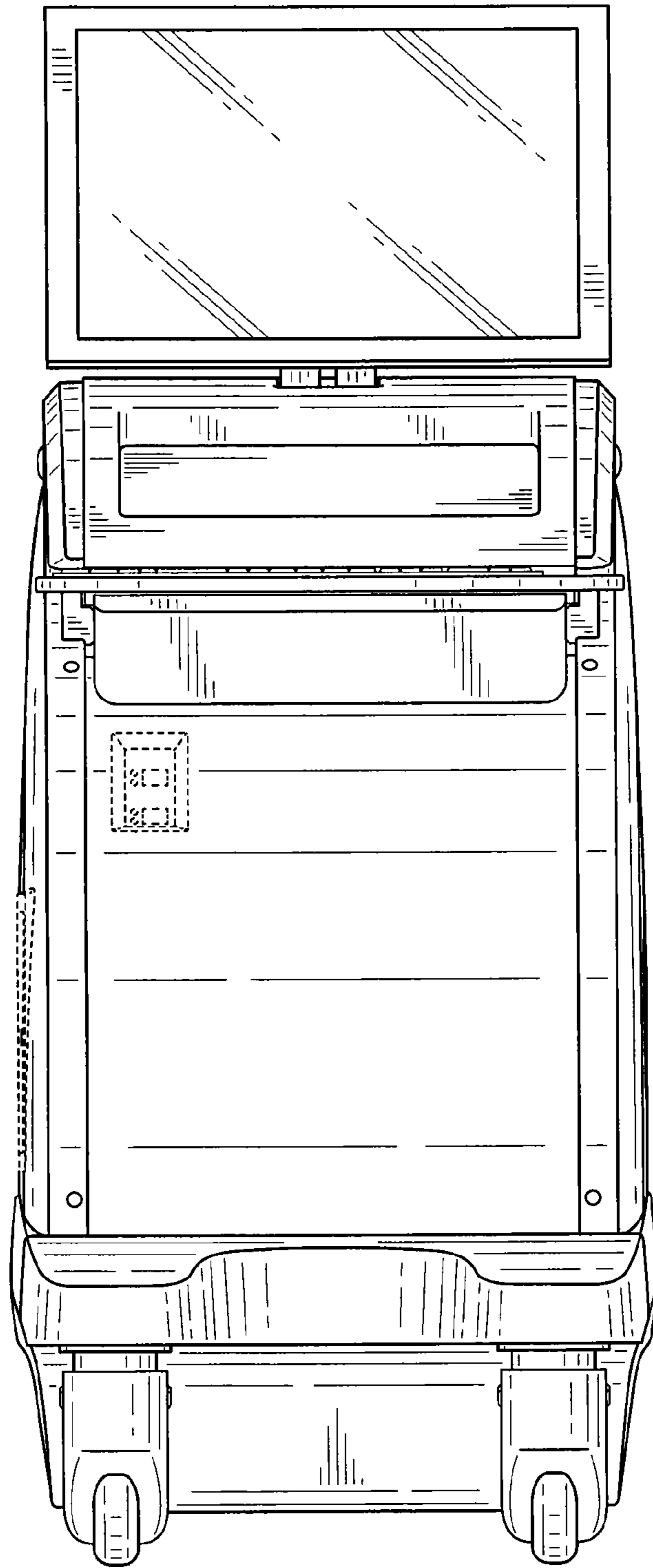


FIG. 2

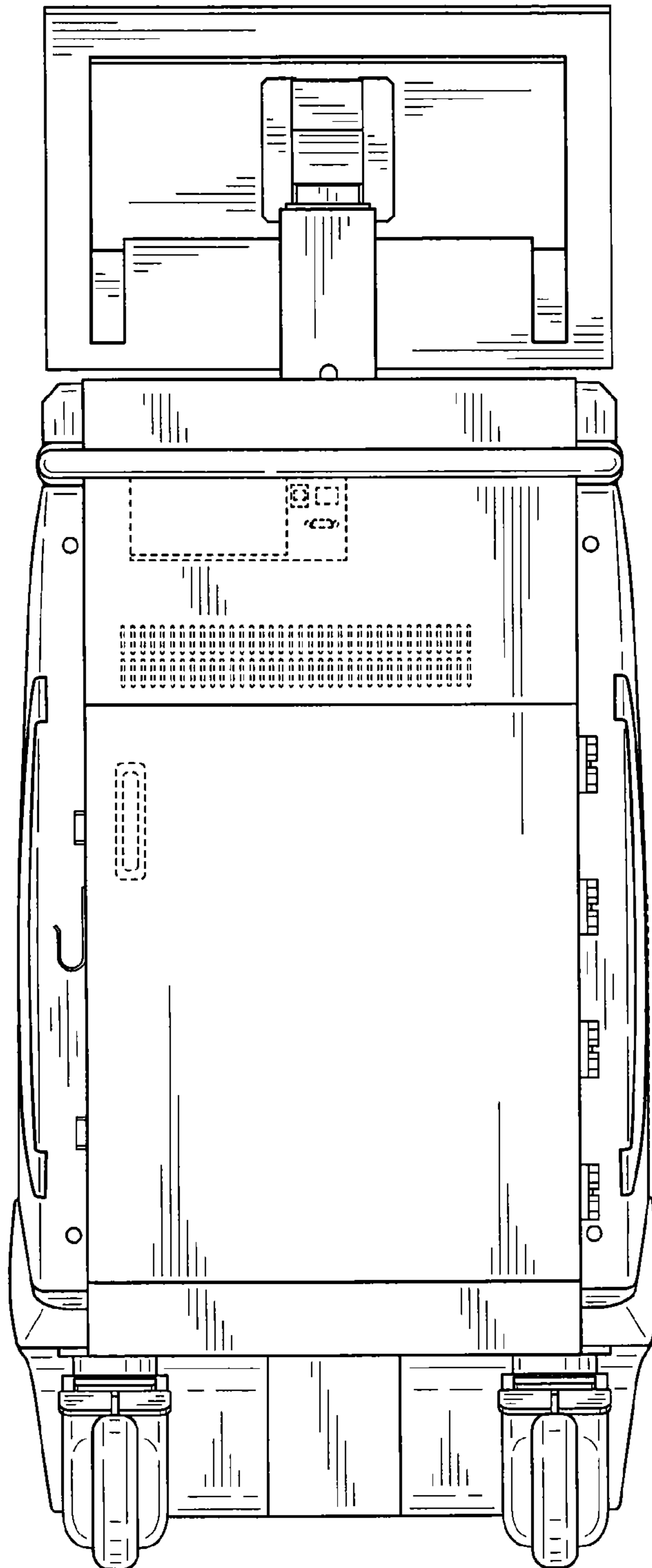


FIG. 3

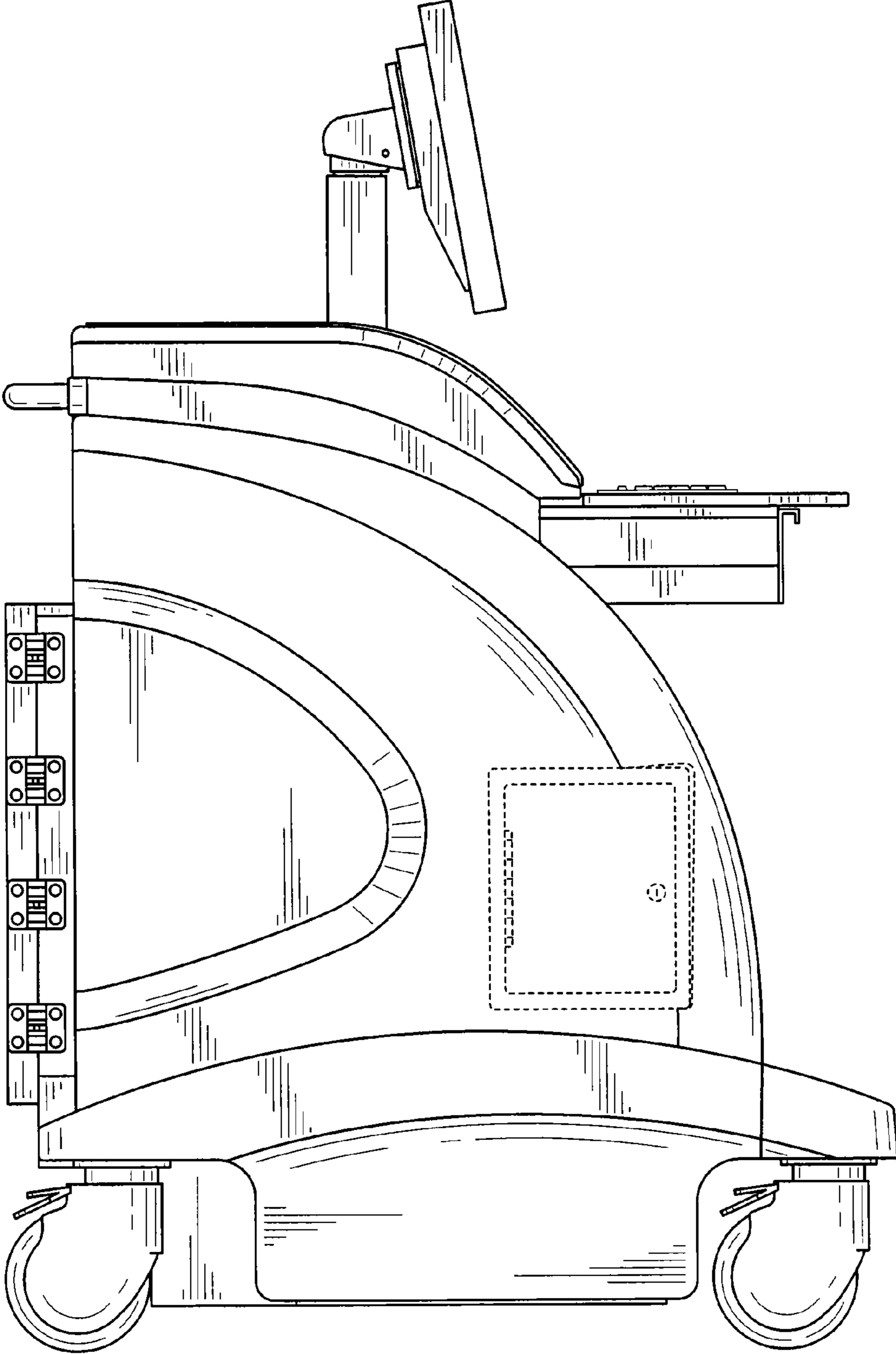


FIG. 4

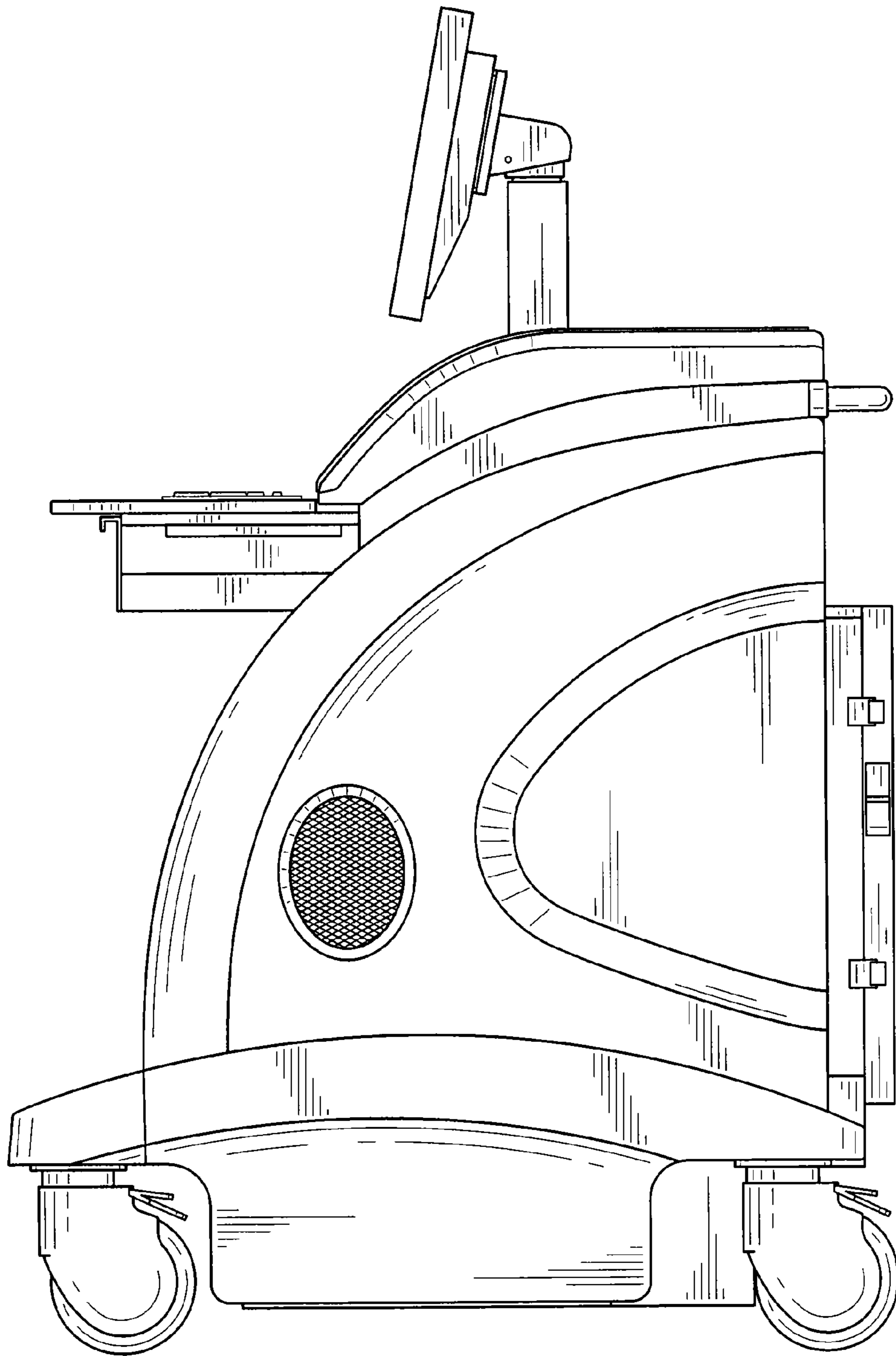


FIG. 5

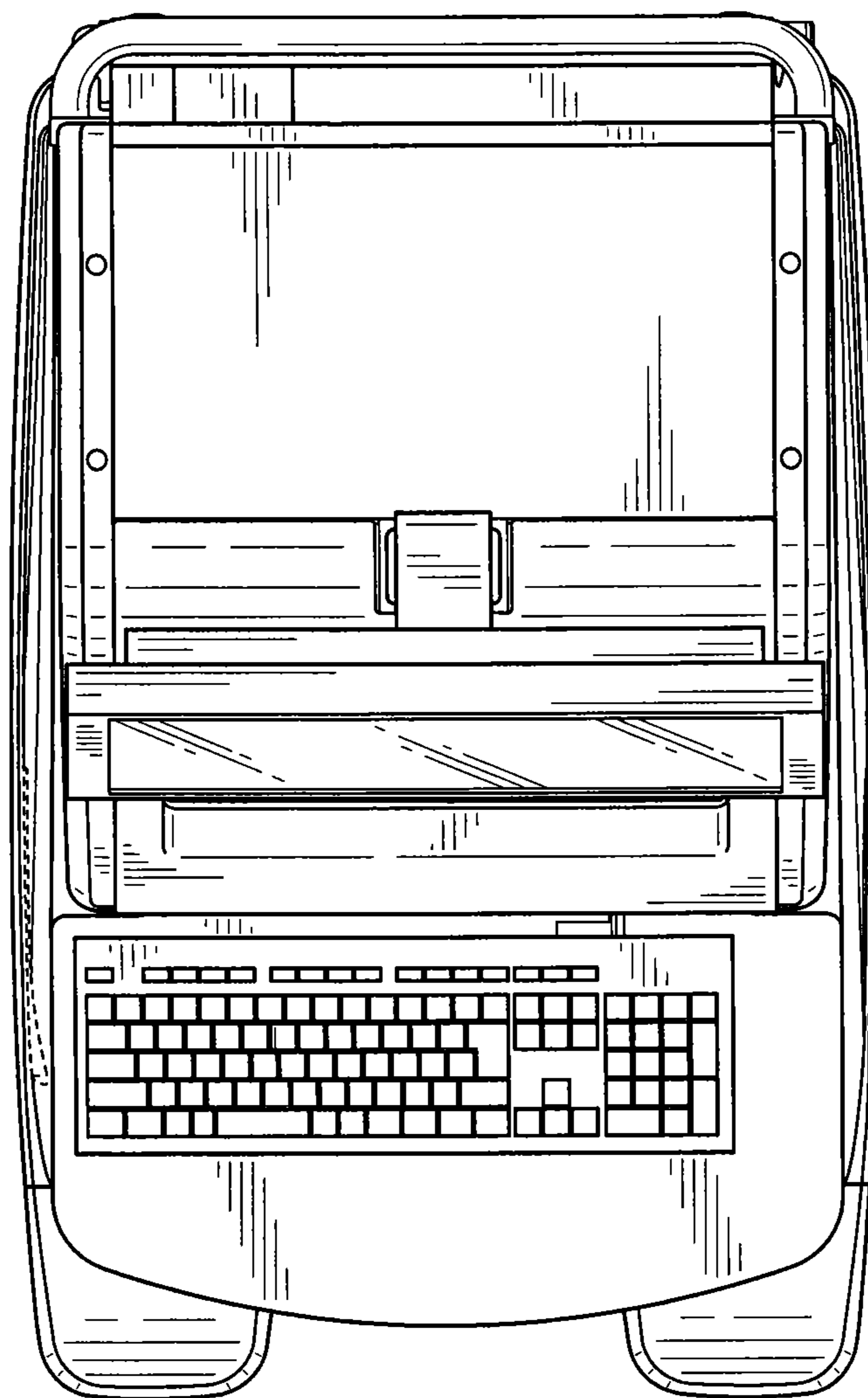


FIG. 6

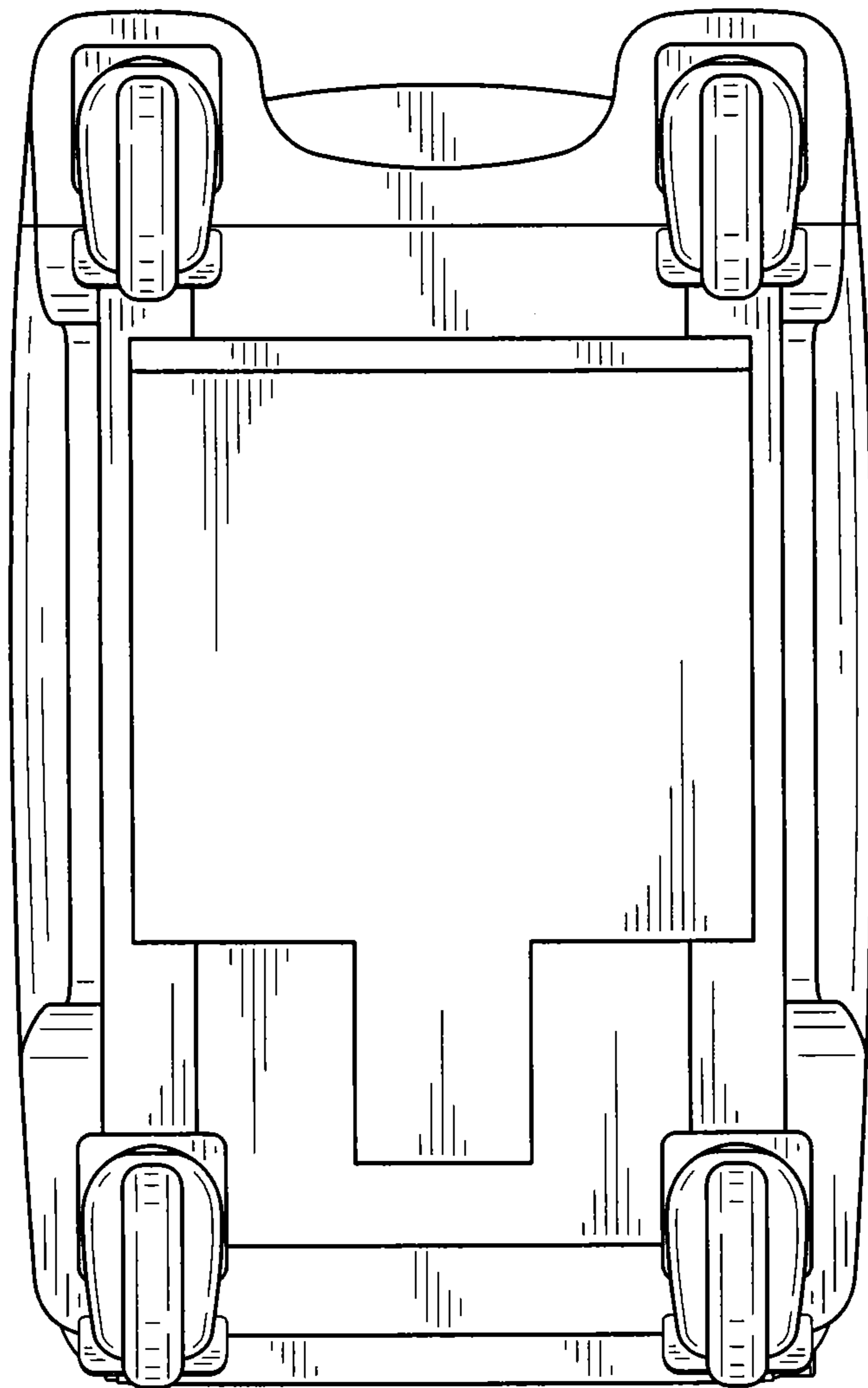


FIG. 7