



US00D758584S

(12) **United States Design Patent**
Boegel et al.

(10) **Patent No.:** **US D758,584 S**
(45) **Date of Patent:** **** Jun. 7, 2016**

(54) **RADIOGRAPHY AND FLUOROSCOPY SYSTEM**

(71) Applicant: **SIEMENS AKTIENGESELLSCHAFT**, Munich (DE)

(72) Inventors: **Richard Max Boegel**, Nuremberg (DE);
Franziska Dinse, Heiligenstadt (DE);
Mate Koroknai, Fuerth (DE);
Christoph Tomczak, Erlangen (DE);
Gerben Ten Cate, Forchheim (DE)

(73) Assignee: **Siemens Aktiengesellschaft**, Munich (DE)

(**) Term: **14 Years**

(21) Appl. No.: **29/522,782**

(22) Filed: **Apr. 2, 2015**

(30) **Foreign Application Priority Data**

Oct. 2, 2014 (EM) 001424287

(51) **LOC (10) Cl.** **24-01**

(52) **U.S. Cl.**
USPC **D24/158**

(58) **Field of Classification Search**
USPC D24/158-161, 231; 378/28, 42, 44, 64, 378/68
CPC .. A61B 6/4435; A61B 6/4464; A61B 6/4476; A61B 6/447; A61B 6/547; A61B 6/587
See application file for complete search history.

(56) **References Cited**

U.S. PATENT DOCUMENTS

6,282,264 B1 * 8/2001 Smith A61B 6/0457 378/167

D554,755 S * 11/2007 Iwasaki D24/158
D624,186 S * 9/2010 Youn D24/158
D683,021 S * 5/2013 Moon D24/158
D710,013 S * 7/2014 Li D24/158
D715,938 S * 10/2014 Li D24/158
D715,941 S * 10/2014 Li D24/158
2010/0232574 A1 * 9/2010 Ahn A61B 6/447 378/167
2014/0003585 A1 * 1/2014 Ling A61B 6/447 378/197

* cited by examiner

Primary Examiner — Anhdao Doan

(74) *Attorney, Agent, or Firm* — Laurence Greenberg; Werner Stemer; Ralph Locher

(57) **CLAIM**

The ornamental design for a radiography and fluoroscopy system, as shown and described.

DESCRIPTION

FIG. 1 is a front elevation view of the radiography and fluoroscopy system showing my new invention;
FIG. 2 is a rear elevation view thereof;
FIG. 3 is a top plan view thereof;
FIG. 4 is a bottom plan view thereof;
FIG. 5 is a right elevation view thereof;
FIG. 6 is a left elevation view thereof; and,
FIG. 7 is a perspective view thereof.
The broken lines immediately adjacent the claimed areas represent the bounds of the claim, and all other broken lines are directed to portions of the radiography and fluoroscopy system that form no part of the claimed design. None of the broken lines form a part of the claimed design.

1 Claim, 7 Drawing Sheets

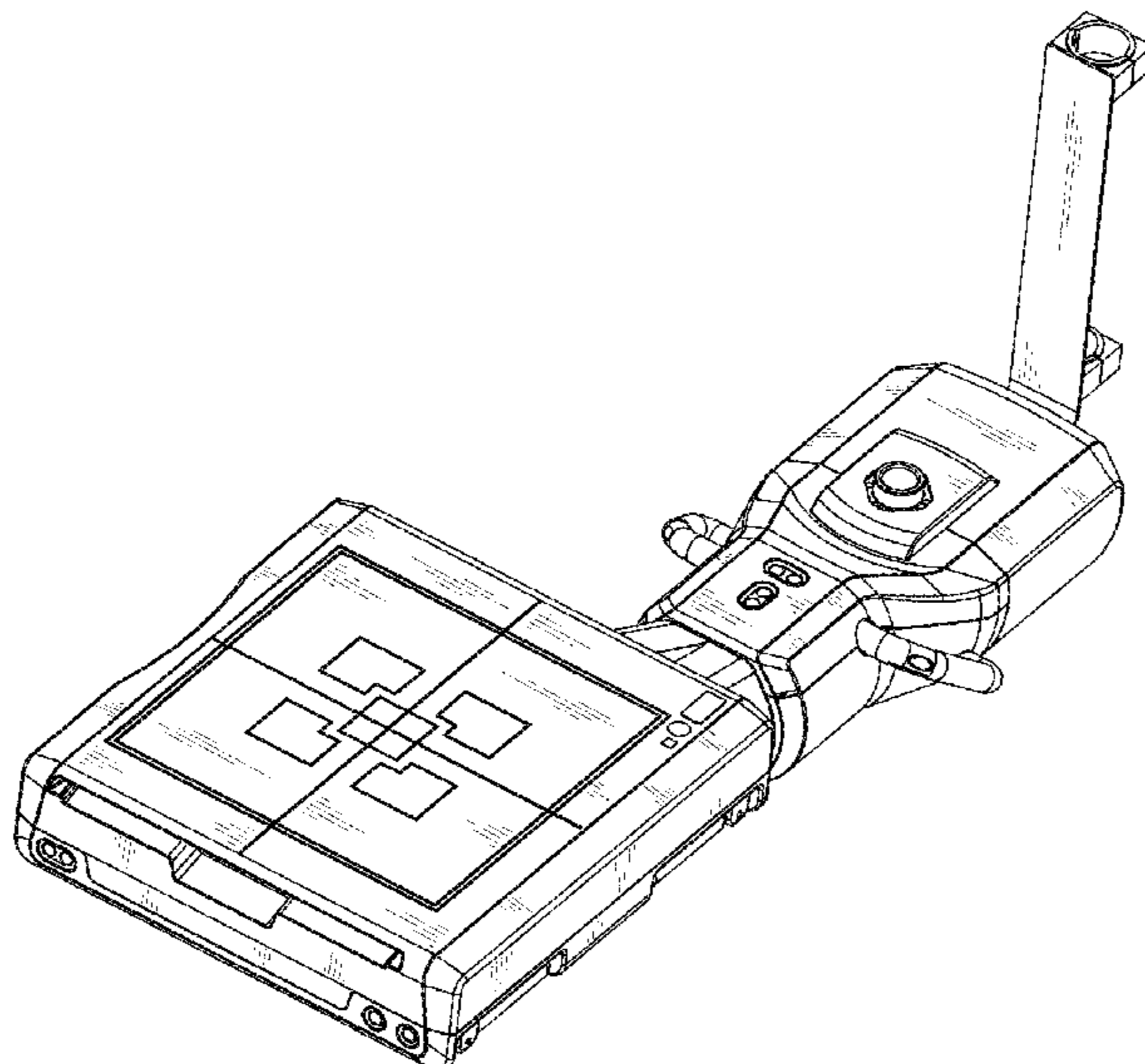


FIG 1

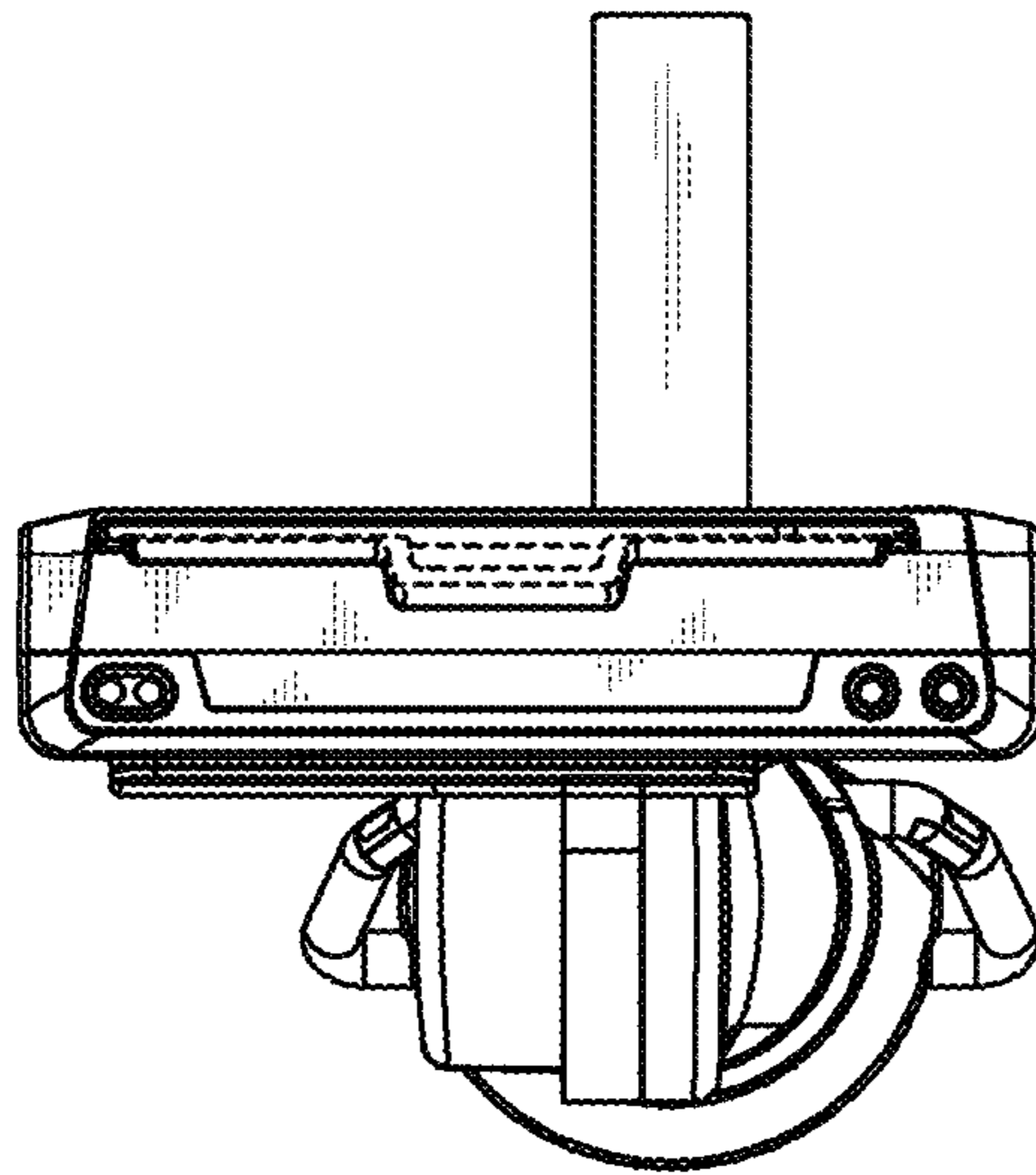


FIG 2

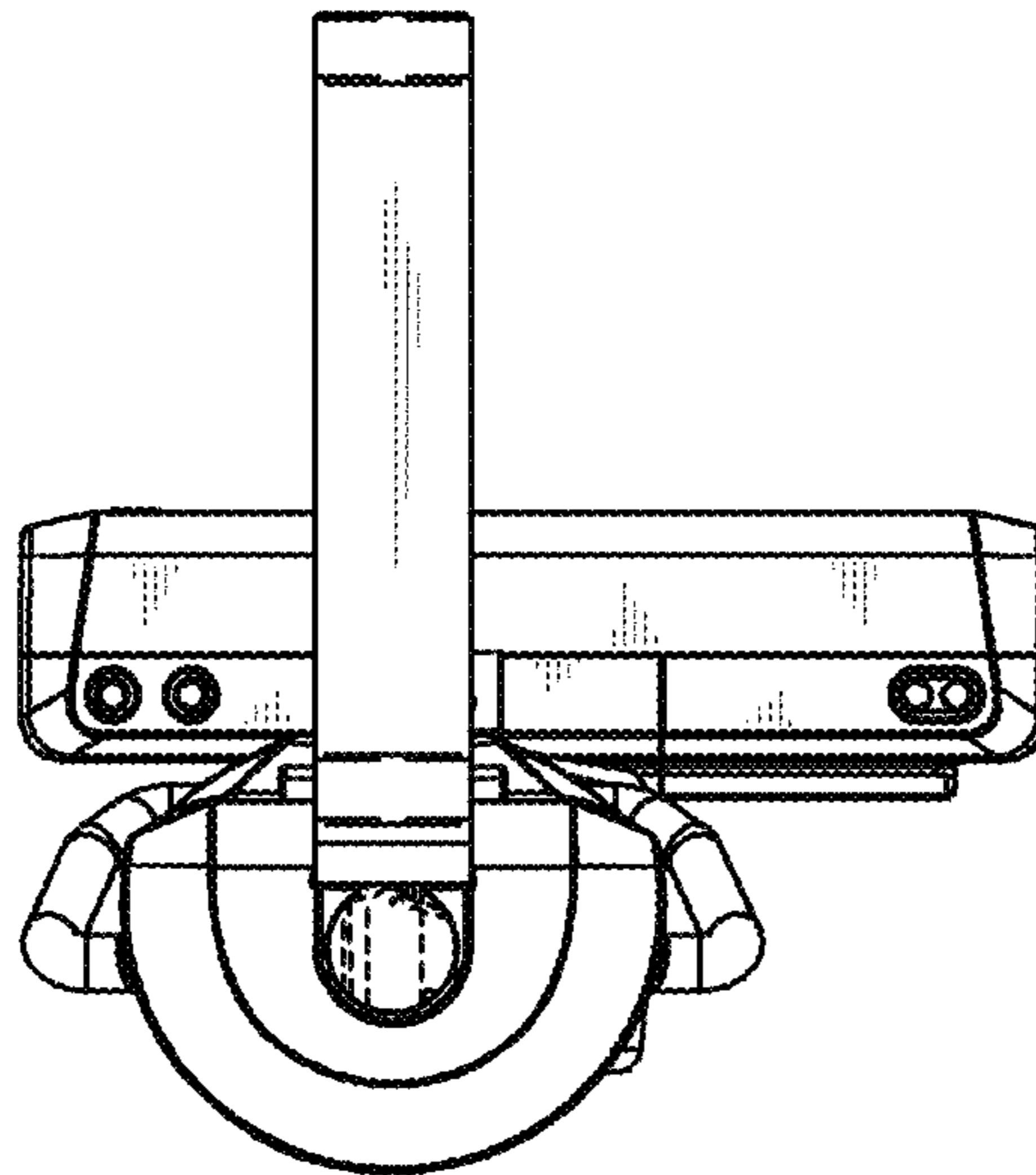


FIG 3

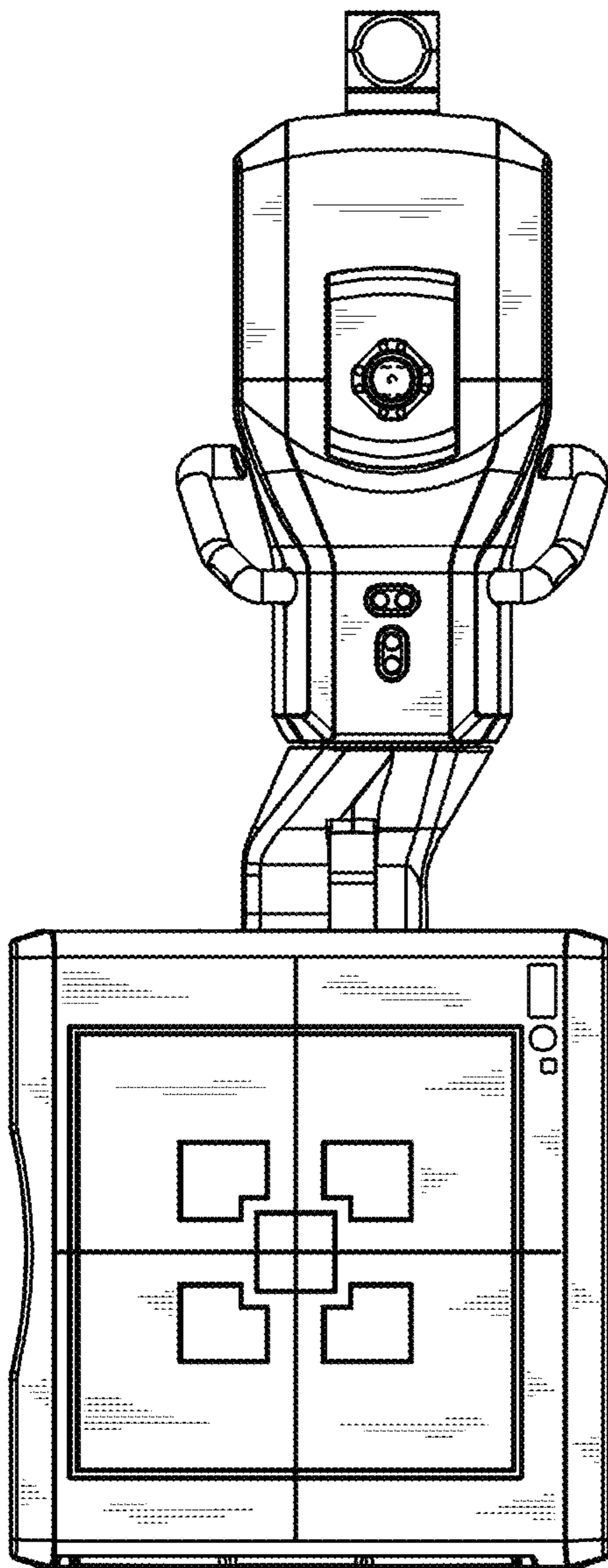


FIG 4

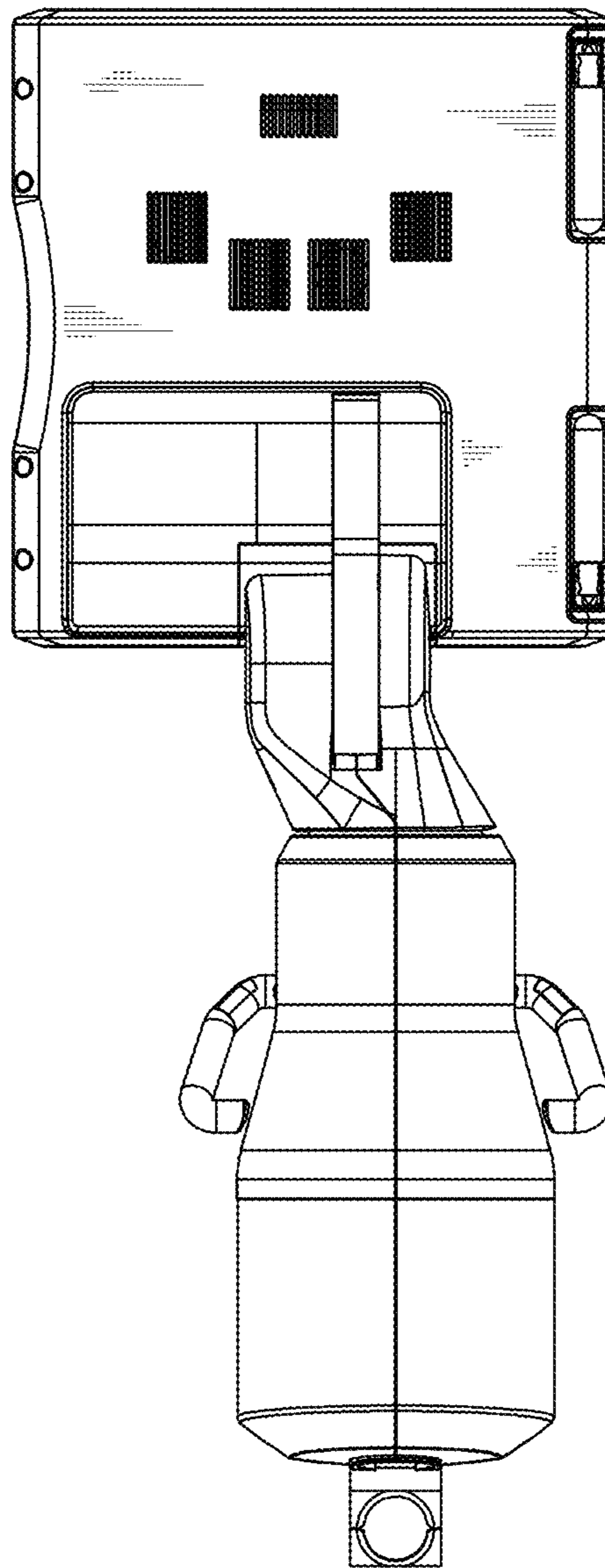


FIG 5

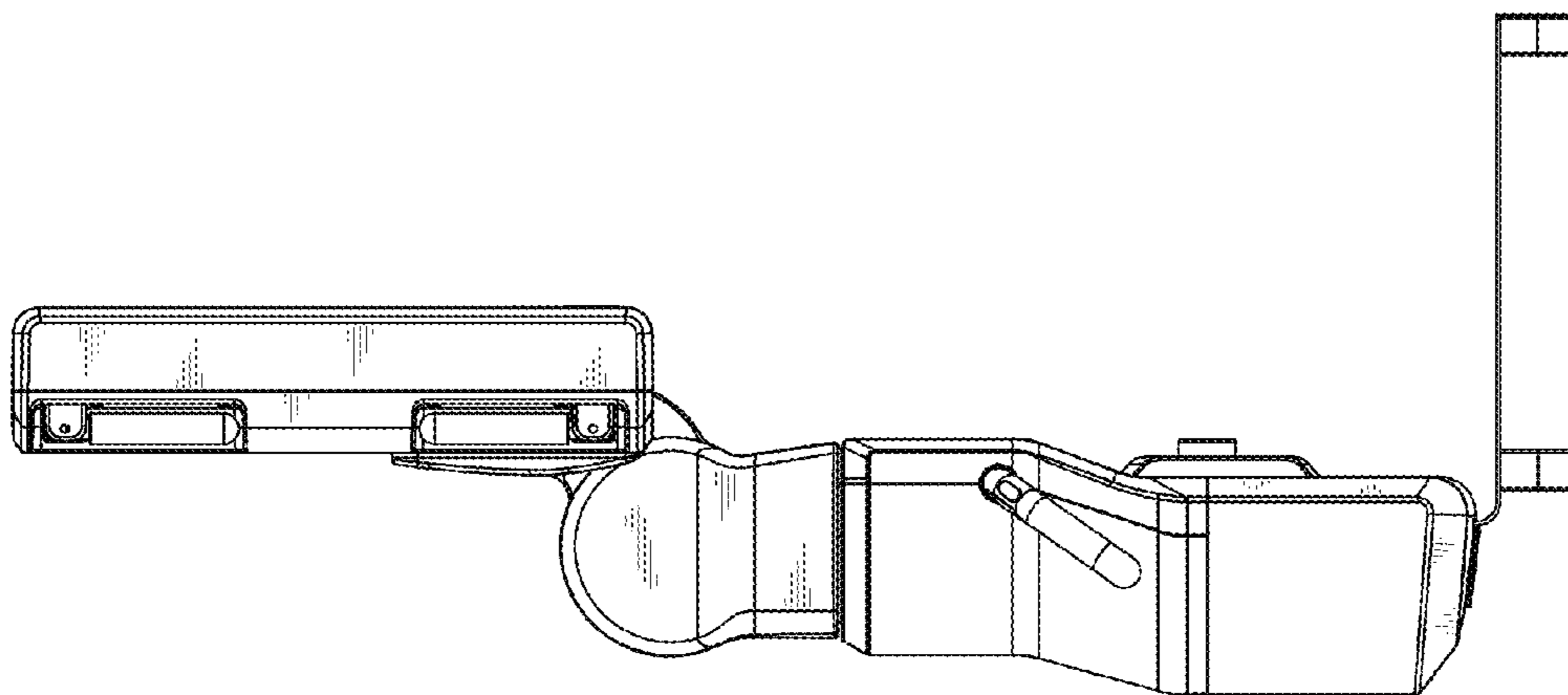


FIG 6

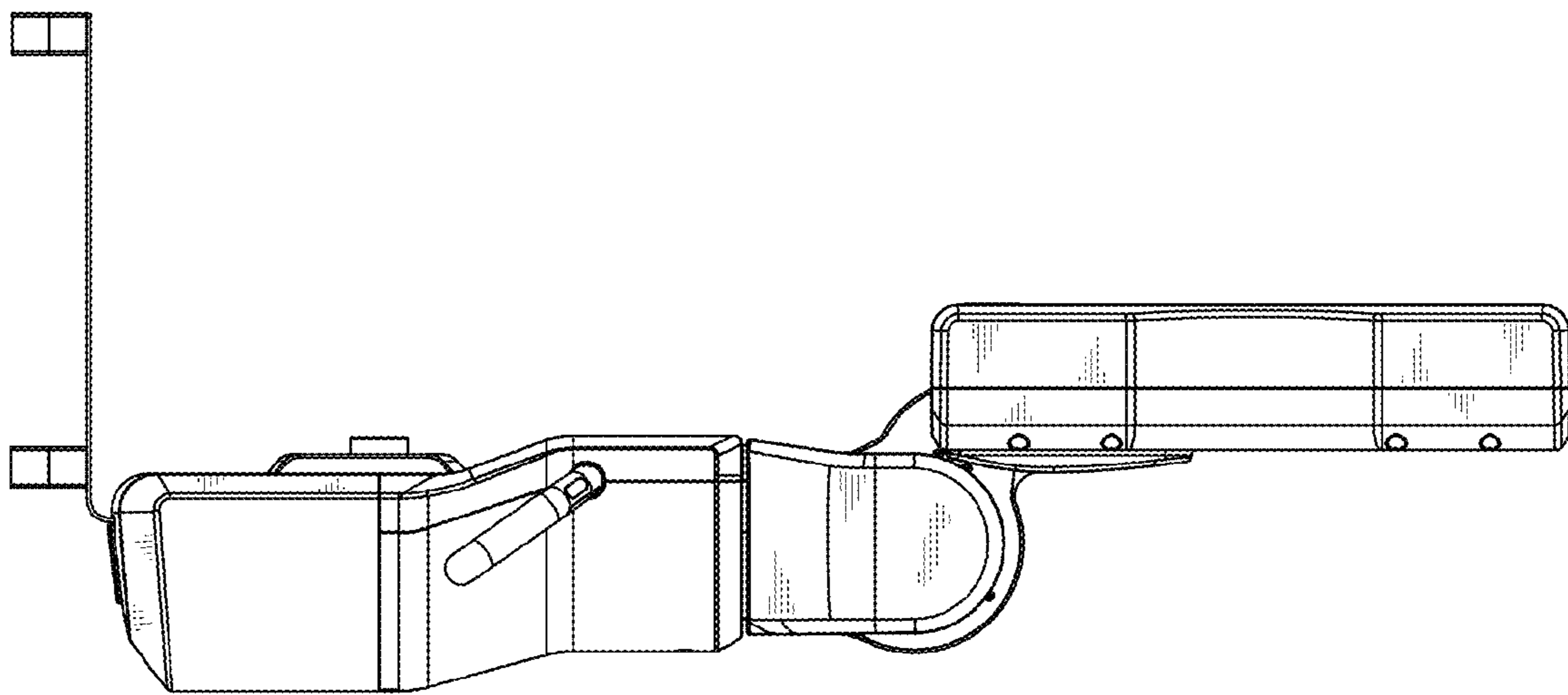


FIG 7

