



US00D758581S

(12) **United States Design Patent**
Michelini et al.

(10) **Patent No.:** **US D758,581 S**

(45) **Date of Patent:** **** Jun. 7, 2016**

(54) **GRASPER**

(71) Applicant: **United States Endoscopy Group, Inc.**,
Mentor, OH (US)

(72) Inventors: **Joseph Michelini**, Painesville, OH (US);
Alex Uspenski, Rock Creek, OH (US);
Alison Streiff, Painesville, OH (US);
Keith R. John, Chardon, OH (US)

(73) Assignee: **UNITED STATES ENDOSCOPY GROUP, INC.**, Mentor, OH (US)

(**) Term: **14 Years**

(21) Appl. No.: **29/521,711**

(22) Filed: **Mar. 26, 2015**

(51) **LOC (10) Cl.** **24-02**

(52) **U.S. Cl.**
USPC **D24/143; D24/148**

(58) **Field of Classification Search**
USPC **D24/143-148, 138, 133**
CPC **A61B 17/29; A61B 17/00234; A61B 17/0469; A61B 17/1285; A61B 17/122; A61B 17/1227; A61B 10/06; A61B 18/1445**
See application file for complete search history.

(56) **References Cited**

U.S. PATENT DOCUMENTS

2,034,785 A 3/1936 Wappler
2,618,268 A 11/1952 English

(Continued)

OTHER PUBLICATIONS

Notice of Allowance from U.S. Appl. No. 29/401,032 dated Apr. 22, 2013.

(Continued)

Primary Examiner — Wan Laymon

(74) *Attorney, Agent, or Firm* — Calfee, Halter & Griswold LLP

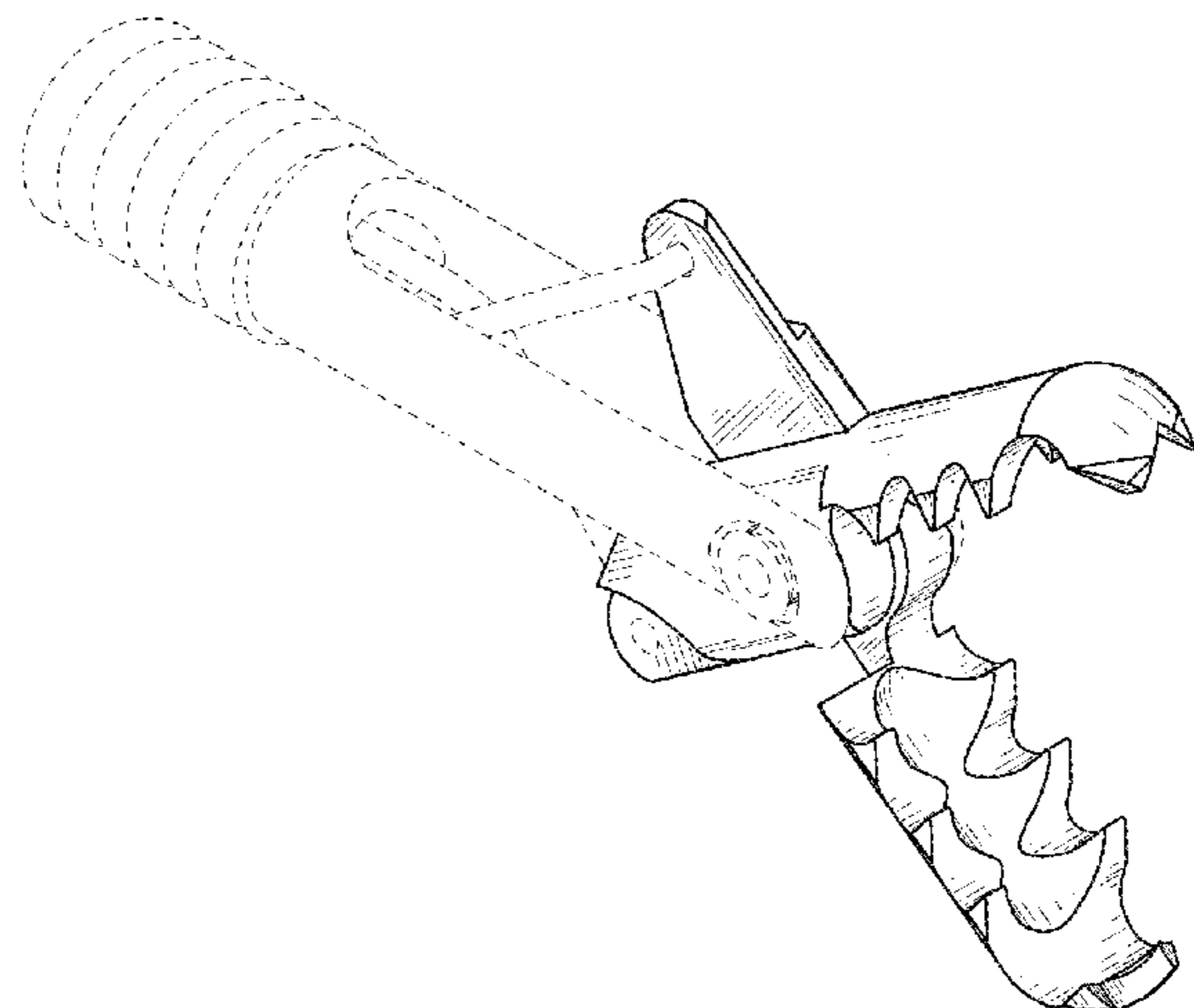
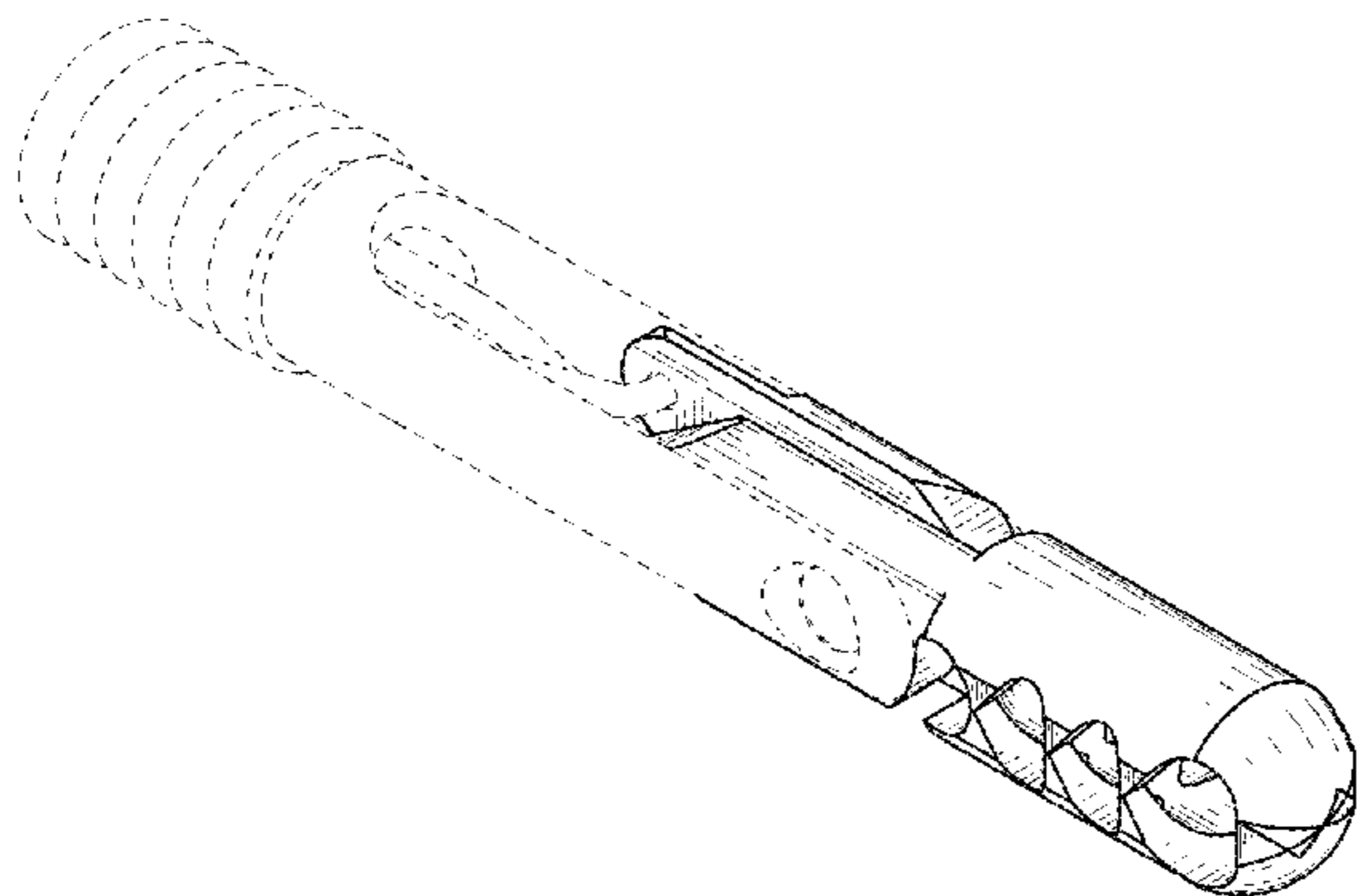
(57) **CLAIM**

We claim the ornamental design for a grasper, as shown and described.

DESCRIPTION

FIG. 1 is a right, top perspective view of a grasper showing the new design, with a pair of jaws in the closed position; FIG. 2 is a right side view of the grasper of FIG. 1, showing the pair of jaws in the closed position; FIG. 3 is a left side view of the grasper of FIG. 1, showing the pair of jaws in the closed position; FIG. 4 is a top view of the grasper of FIG. 1, showing the pair of jaws in the closed position; FIG. 5 is a bottom view of the grasper of FIG. 1, showing the pair of jaws in the closed position; FIG. 6 is a front view of the grasper of FIG. 1, showing the pair of jaws in the closed position; FIG. 7 is a right, top perspective view of the grasper of FIG. 1, showing the pair of jaws in the open position; FIG. 8 is a right, top perspective view of the lower jaw of FIG. 7; FIG. 9 is a right, top perspective view of the upper jaw of FIG. 7; FIG. 10 is a right side view of the upper jaw of FIG. 7; FIG. 11 is a left side view of the upper jaw of FIG. 7; FIG. 12 is a top view of the upper jaw of FIG. 7; FIG. 13 is a bottom view of the upper jaw of FIG. 7; FIG. 14 is a rear view of the upper jaw of FIG. 7; and, FIG. 15 is a front view of the upper jaw of FIG. 7. The portions of the Figures shown in phantom lines are either unclaimed boundary lines or for illustrative purpose only, and no phantom line forms a part of the claimed design.

1 Claim, 3 Drawing Sheets



(56)

References Cited

U.S. PATENT DOCUMENTS

2,668,538 A 2/1954 Baker
 2,842,132 A 7/1958 Soltero et al.
 4,598,699 A 7/1986 Garren et al.
 D289,683 S 5/1987 Gilfillan
 5,170,800 A 12/1992 Smith et al.
 5,304,203 A 4/1994 El-Mallawany et al.
 D351,653 S 10/1994 Koros et al.
 5,482,054 A * 1/1996 Slater A61B 18/1445
 600/564
 5,575,805 A 11/1996 Li
 5,922,008 A 7/1999 Gimpelson
 6,077,280 A 6/2000 Fossum
 6,129,683 A 10/2000 Sutton et al.
 6,159,162 A 12/2000 Kostylev et al.
 6,273,860 B1 8/2001 Kostylev et al.
 6,309,404 B1 10/2001 Krzyzanowski
 6,709,445 B2 * 3/2004 Boebel A61B 17/29
 600/564
 6,743,240 B2 * 6/2004 Smith A61B 17/1285
 600/104
 6,824,548 B2 11/2004 Smith et al.
 6,843,794 B2 1/2005 Sixto et al.
 6,945,979 B2 9/2005 Kortenbach et al.
 7,070,602 B2 7/2006 Smith et al.
 7,090,685 B2 8/2006 Kortenbach et al.
 7,105,000 B2 * 9/2006 McBrayer A61B 17/1285
 606/143
 7,223,272 B2 5/2007 Francese et al.
 D545,432 S 6/2007 Watanabe
 D575,400 S 8/2008 Patterson et al.
 7,448,525 B2 11/2008 Shelton et al.
 D590,944 S 4/2009 Watanabe
 D610,680 S 2/2010 Blocher
 7,828,811 B2 11/2010 Kortenbach et al.

D632,788 S 2/2011 Thouement
 D634,427 S 3/2011 Nishimura
 7,927,327 B2 4/2011 Lu et al.
 7,942,885 B2 5/2011 Sixto et al.
 8,066,721 B2 11/2011 Kortenbach et al.
 8,070,759 B2 12/2011 Stefanchik et al.
 8,114,119 B2 * 2/2012 Spivey A61B 17/00234
 606/205
 8,262,655 B2 * 9/2012 Ghabrial A61B 18/1445
 606/51
 D689,606 S 9/2013 John et al.
 8,579,897 B2 * 11/2013 Vakharia A61B 18/1445
 606/207
 D710,006 S 7/2014 John et al.
 D725,265 S 3/2015 John et al.
 2001/0021861 A1 9/2001 Boebel et al.
 2002/0068946 A1 6/2002 Kortenbach et al.
 2002/0165580 A1 11/2002 Zwiefel et al.
 2005/0090838 A1 4/2005 Sixto et al.
 2007/0250111 A1 10/2007 Lu et al.
 2008/0294178 A1 11/2008 Kortenbach et al.
 2011/0112434 A1 * 5/2011 Ghabrial A61B 1/00135
 600/564
 2014/0216187 A1 * 8/2014 Castro A61B 17/29
 74/102

OTHER PUBLICATIONS

Notice of Allowance from U.S. Appl. No. 29/462,413 dated Mar. 18, 2014.
 Notice of Allowance from U.S. Appl. No. 29/462,413 dated Apr. 16, 2014.
 Notice of Allowance from U.S. Appl. No. 29/493,931 dated Jun. 16, 2014.
 Notice of Allowance from U.S. Appl. No. 29/493,931 dated Nov. 12, 2014.

* cited by examiner

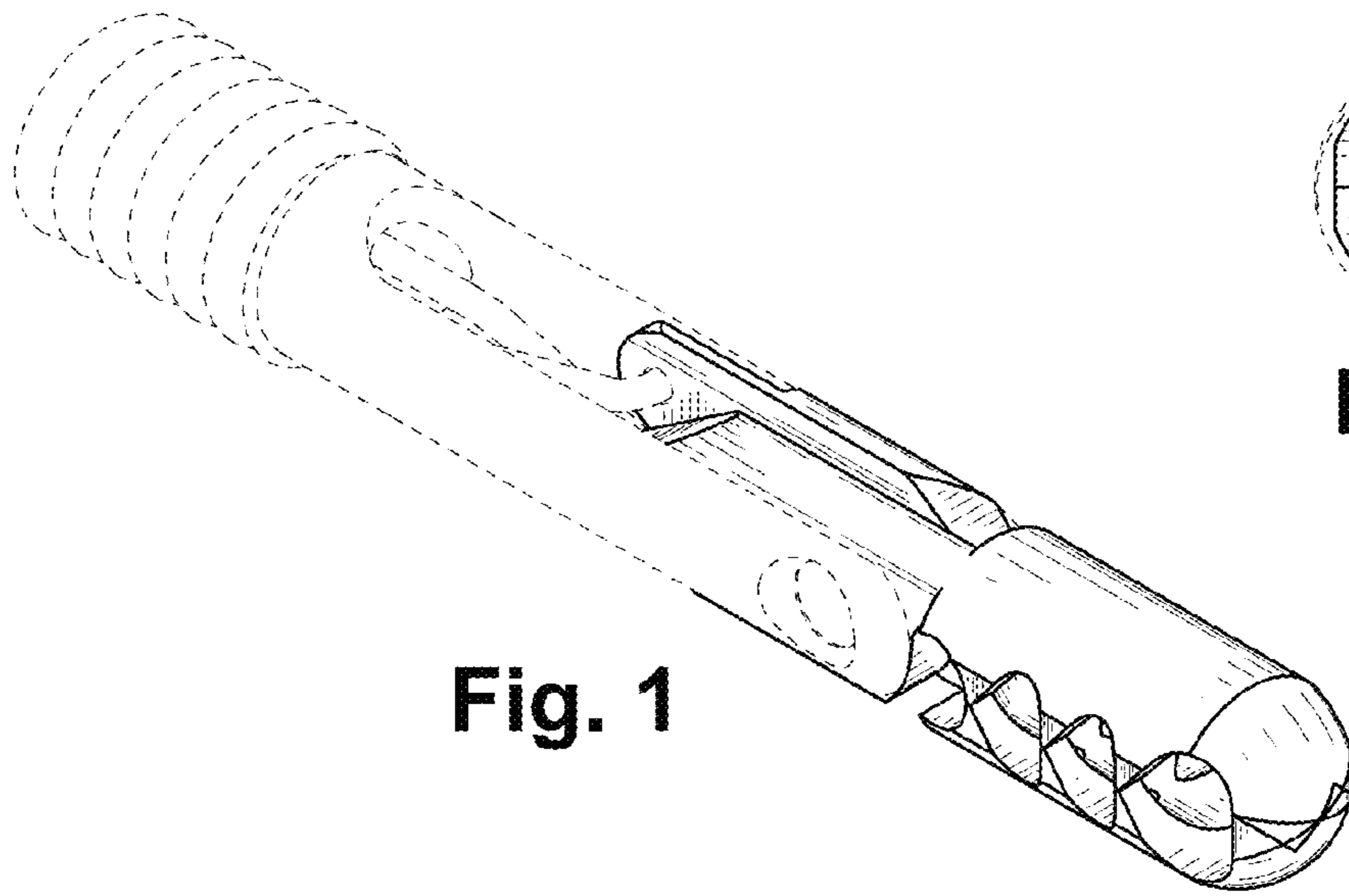


Fig. 1

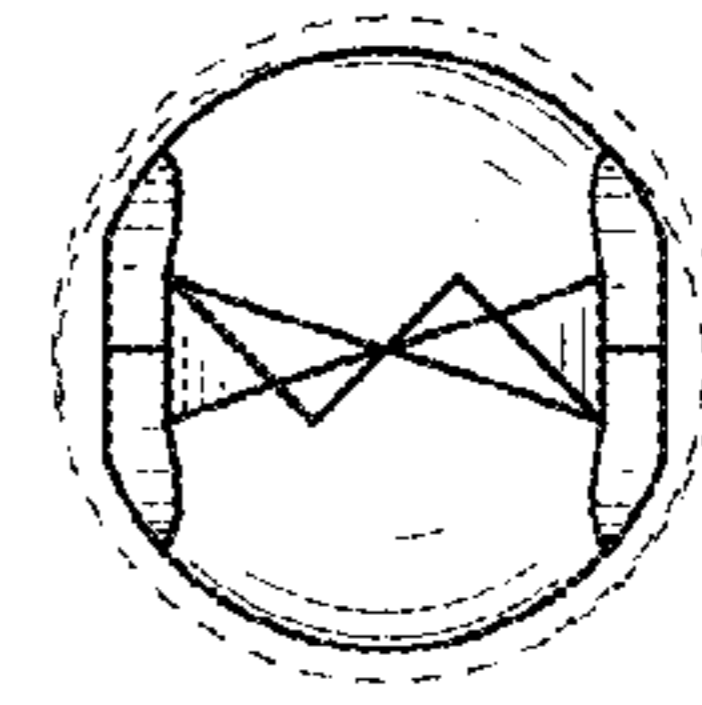


Fig. 6

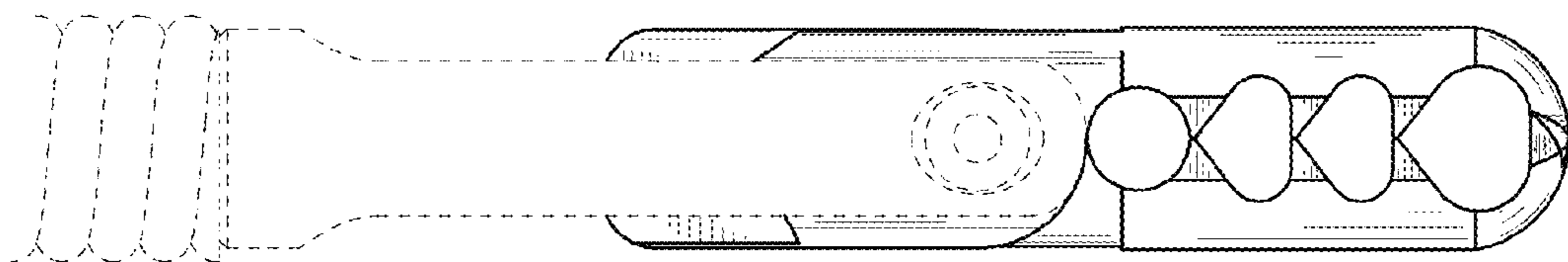


Fig. 2

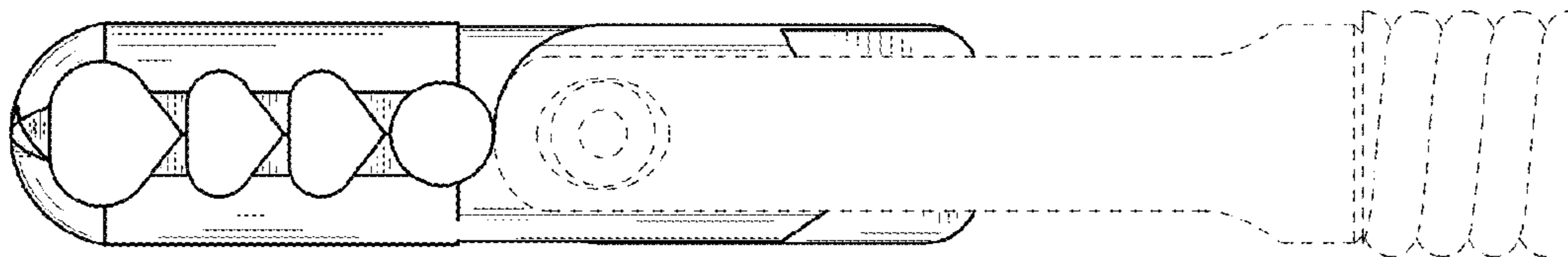


Fig. 3

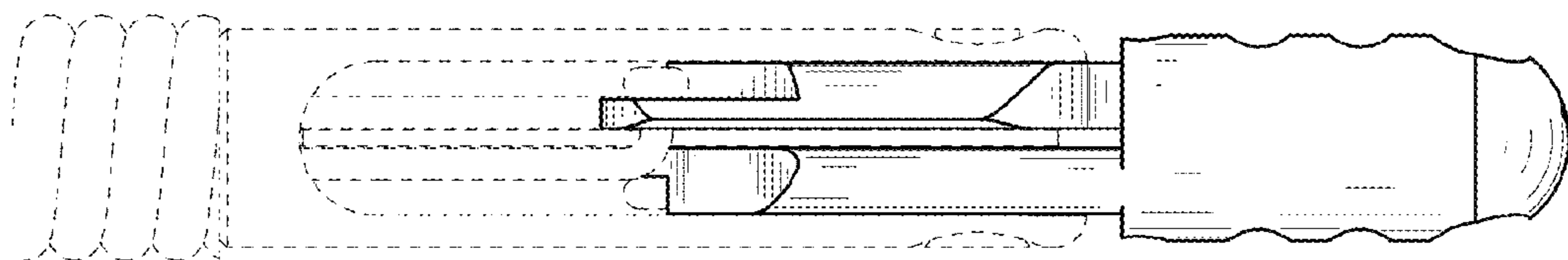


Fig. 4

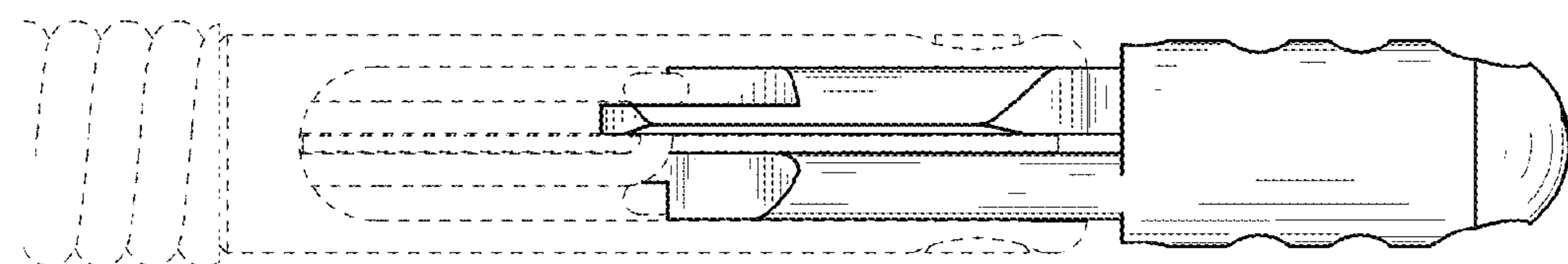


Fig. 5

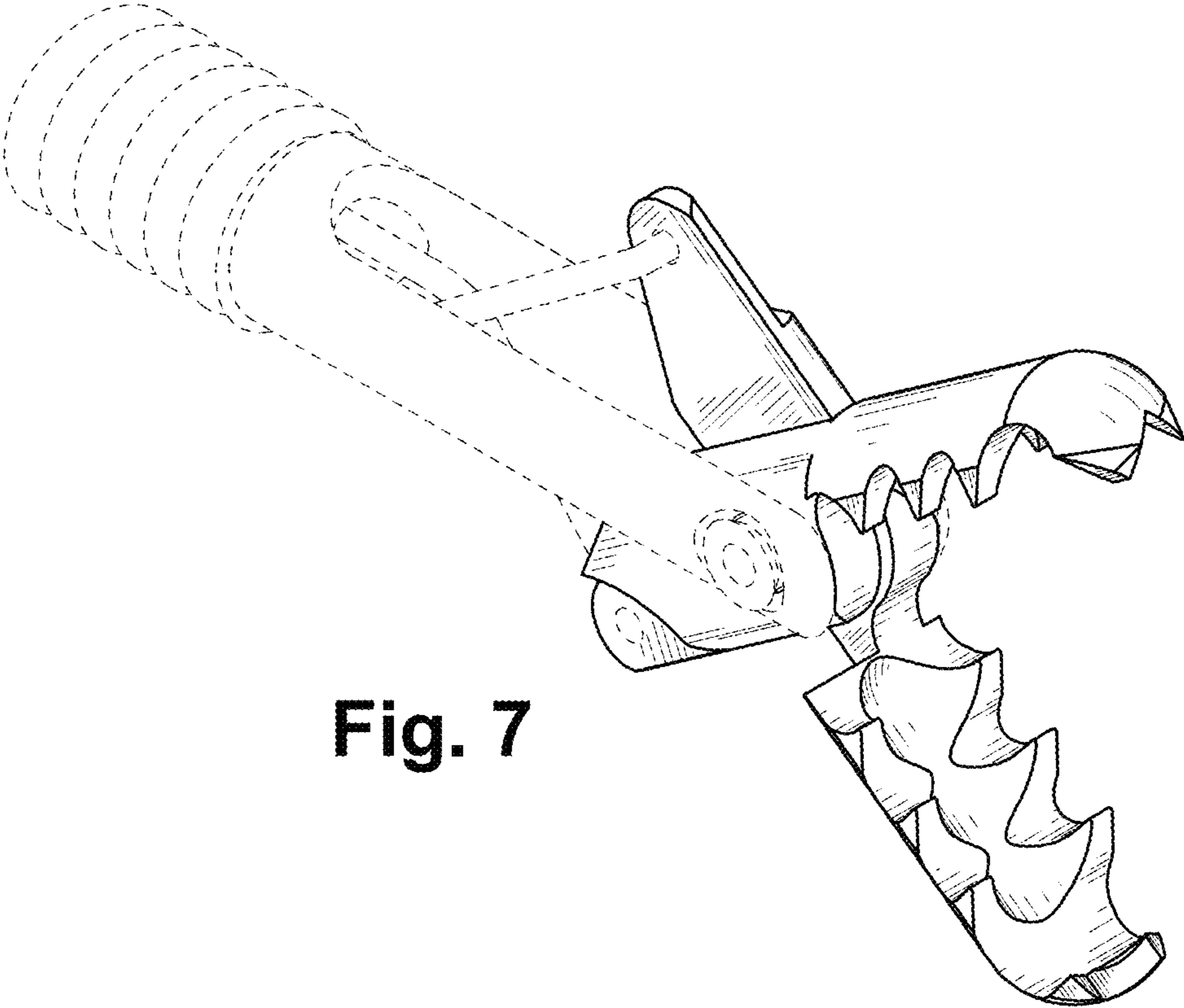


Fig. 7

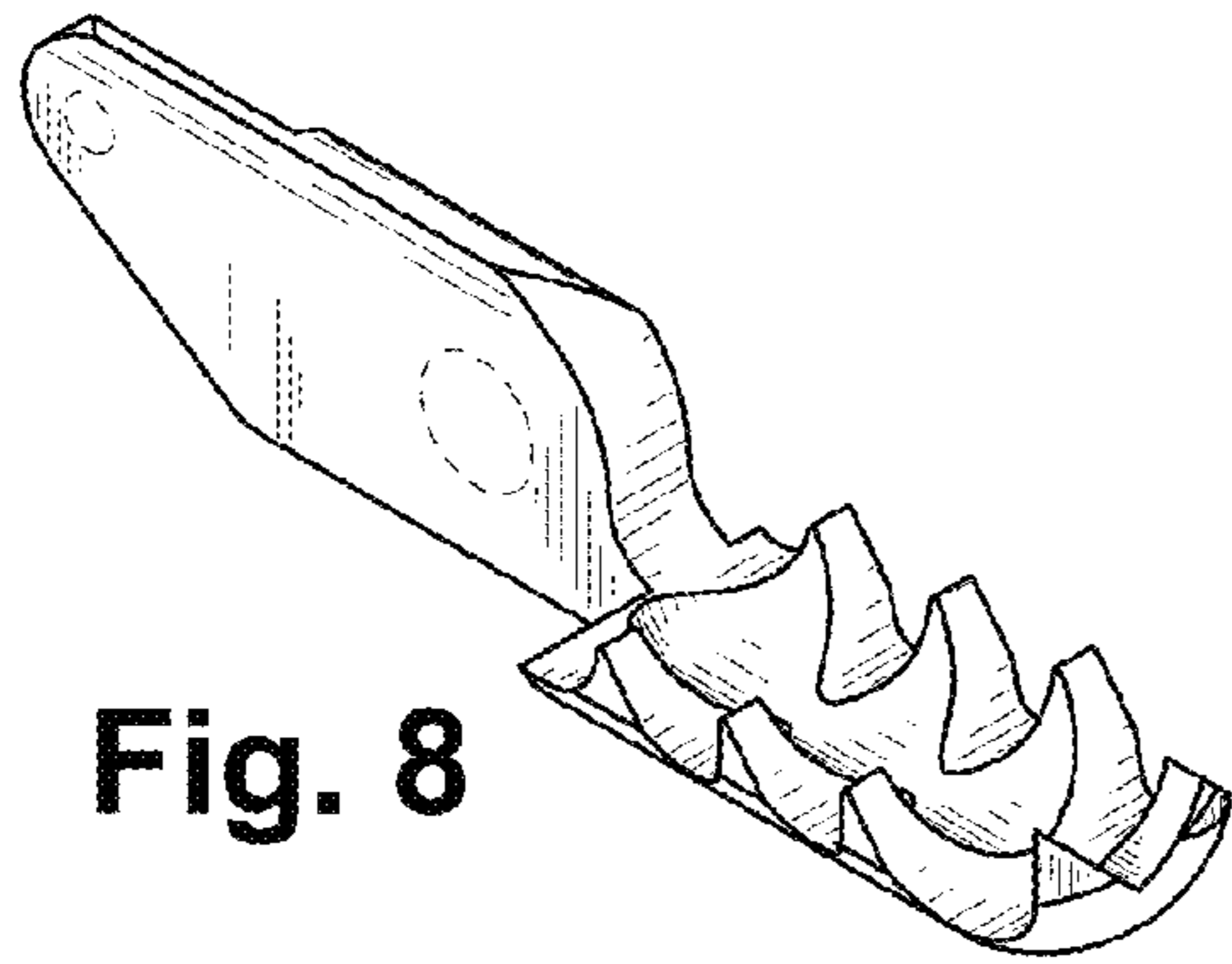


Fig. 8

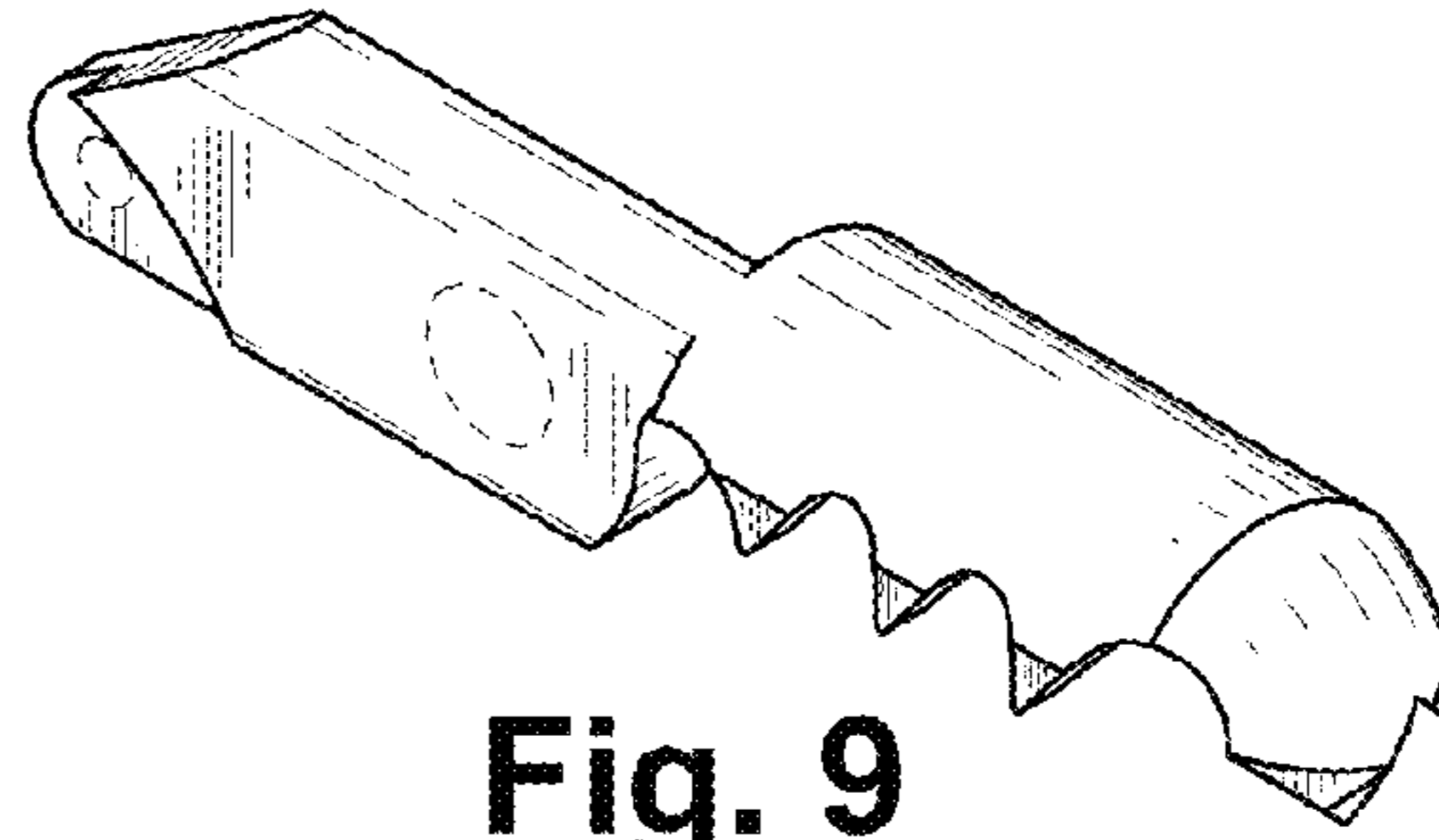


Fig. 9

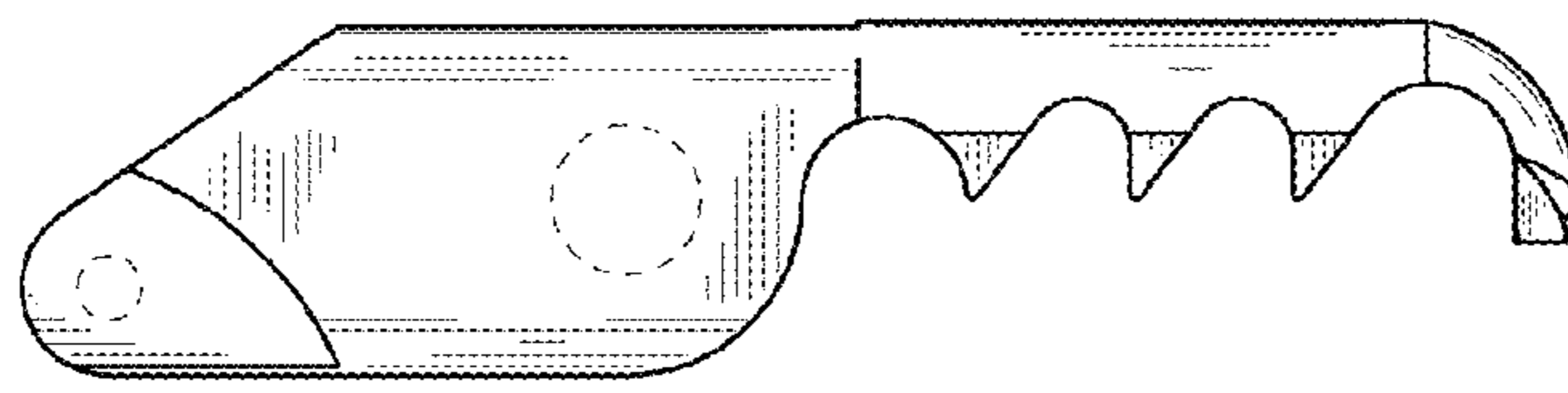


Fig. 10

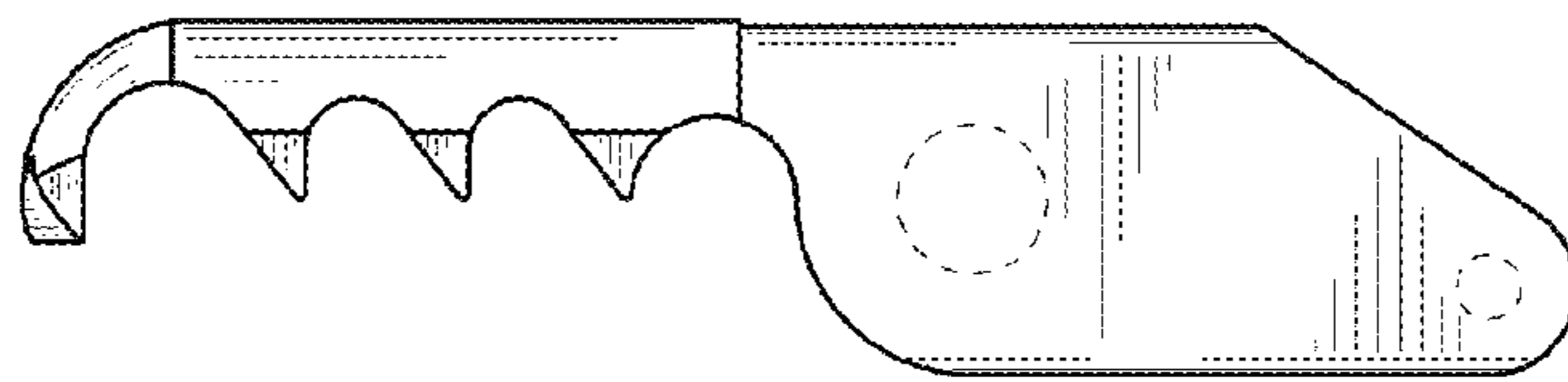


Fig. 11

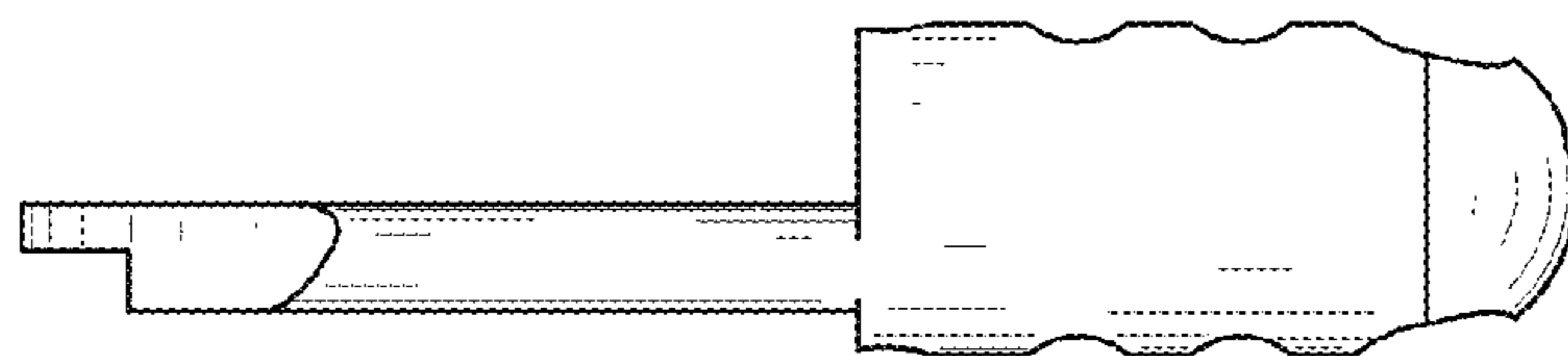


Fig. 12

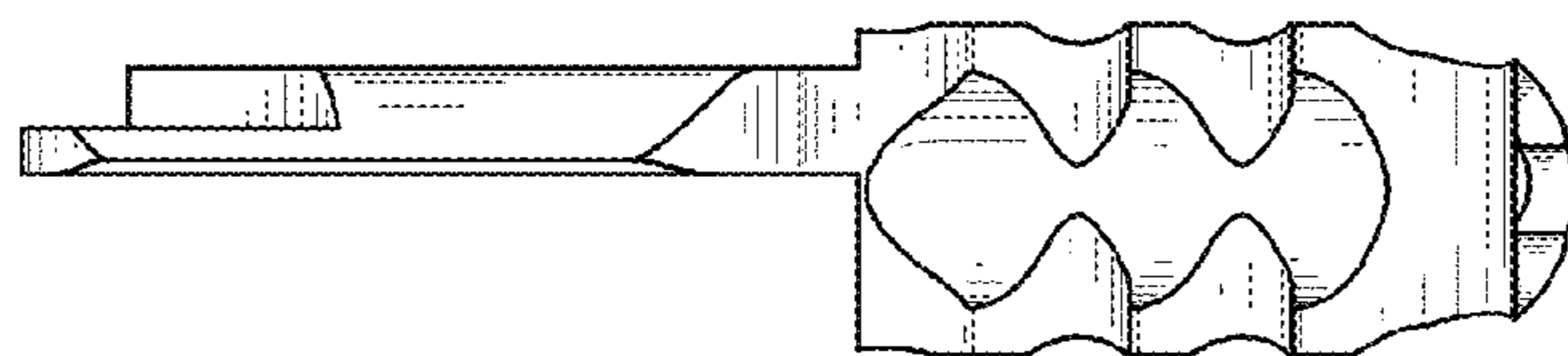


Fig. 13

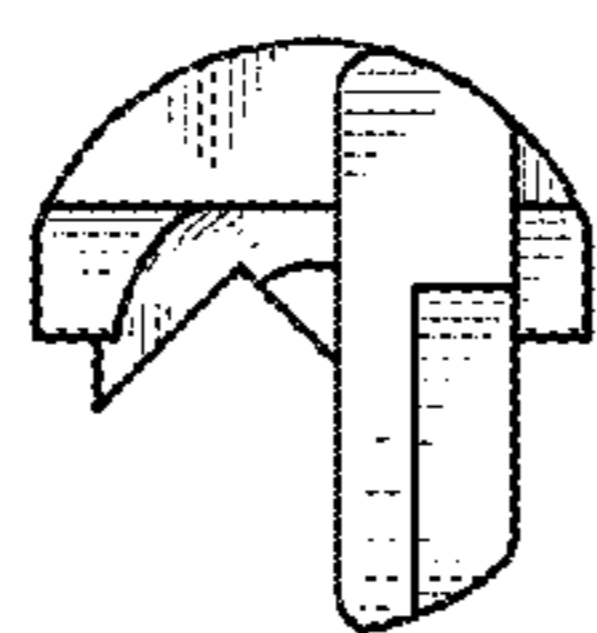


Fig. 14

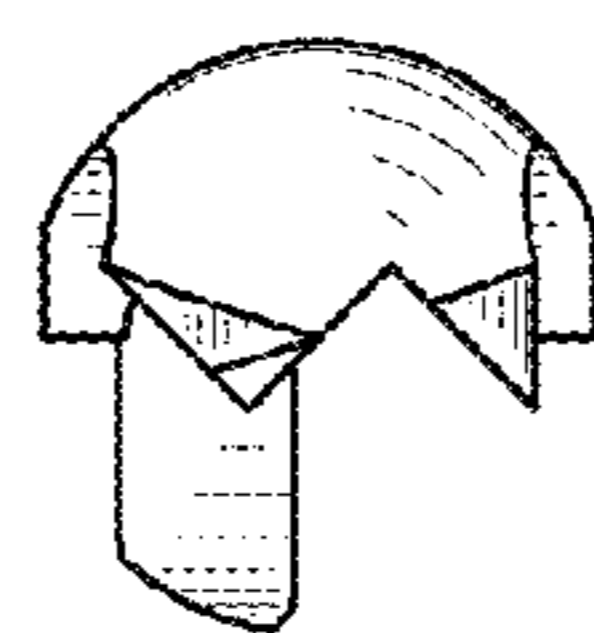


Fig. 15