



US00D758577S

(12) **United States Design Patent**
Moskowitz et al.

(10) **Patent No.:** **US D758,577 S**

(45) **Date of Patent:** **** Jun. 7, 2016**

(54) **WHITE BALANCE ENCLOSURE CAP FOR A MEDICAL DEVICE**

2008/0161646 A1* 7/2008 Gomez 600/169
2012/0154627 A1* 6/2012 Rivard et al. 348/224.1
2014/0333742 A1* 11/2014 Salman et al. 348/65

(71) Applicant: **EndoChoice Innovation Center Ltd.**,
Caesarea (IL)

* cited by examiner

(72) Inventors: **Ryan Moskowitz**, Cumming, GA (US);
Golan Salman, Atlit (IL); **Igal Shteiman**, Kfar Yona (IL)

Primary Examiner — Bridget L Eland

(74) *Attorney, Agent, or Firm* — Novel IP

(73) Assignee: **EndoChoice, Inc.**, Alpharetta, GA (US)

(57) **CLAIM**

We claim the ornamental design for a white balance enclosure cap for a medical device, as shown and described.

(**) Term: **14 Years**

DESCRIPTION

(21) Appl. No.: **29/465,989**

FIG. 1 is a front perspective view of white balance enclosure cap for a medical device showing our new design;

(22) Filed: **Sep. 3, 2013**

FIG. 2 is a first side perspective view thereof;

(51) **LOC (10) Cl.** **24-02**

FIG. 3 is a second side perspective view thereof, with the front structure exploded away in order to show portions of the design that would not otherwise be apparent;

(52) **U.S. Cl.**

USPC **D24/138**

FIG. 4 is a rear perspective view thereof, with the front structure exploded away in order to show portions of the design that would not otherwise be apparent;

(58) **Field of Classification Search**

USPC D24/137, 138, 133; D10/86

CPC H04N 9/73; H04N 9/735; A61B 1/00057;

A61B 1/045

FIG. 5 is a first side perspective view thereof, shown with the front and bottom structures exploded away in order to show portions of the design that would not otherwise be apparent;

See application file for complete search history.

FIG. 6 is a bottom plan view thereof, shown with the front and bottom structures removed; and,

(56) **References Cited**

U.S. PATENT DOCUMENTS

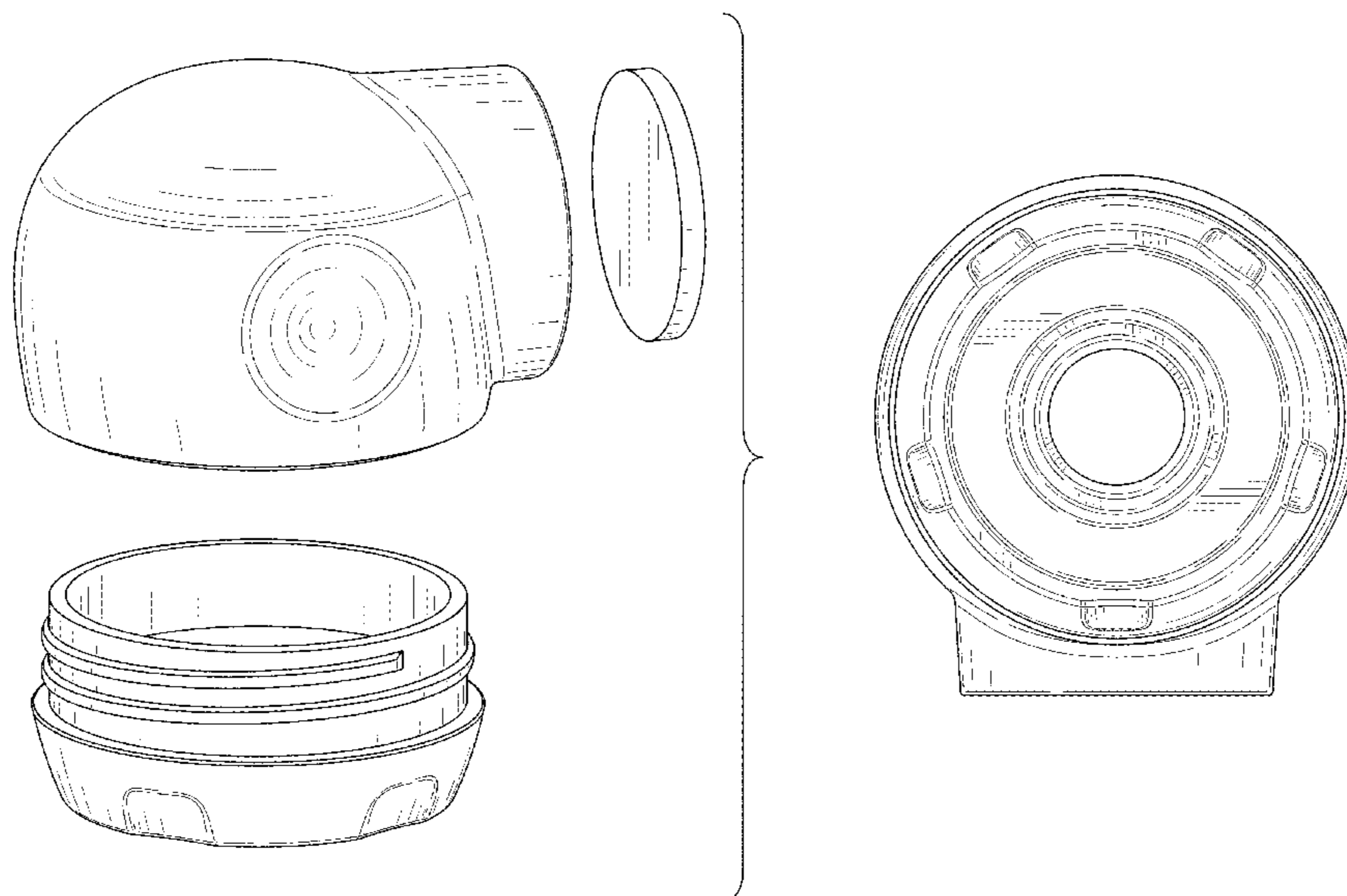
D201,908 S * 8/1965 Meyer D26/37
D289,926 S * 5/1987 Lonky D24/138
D481,127 S * 10/2003 Hayamizu D24/138
D532,514 S * 11/2006 Schmal D24/133
D534,655 S * 1/2007 Iranyi et al. D24/138
D591,438 S * 4/2009 Hama et al. D26/37
D651,312 S * 12/2011 Halleck et al. D24/138
D693,465 S * 11/2013 Koehler et al. D24/138
D712,035 S * 8/2014 Ting et al. D24/152
2005/0099529 A1* 5/2005 Hattori 348/370

FIG. 7 is a front elevation view thereof.

The broken lines shown in the views are included for the purpose of illustrating portions of the device that form no part of the claimed design.

The article in which the design is embodied is intended to be used as a white balance enclosure cap for use with a medical device, such as an endoscope, for consistently and uniformly applying white balance adjustment to a picture image or video generated by endoscope.

1 Claim, 6 Drawing Sheets



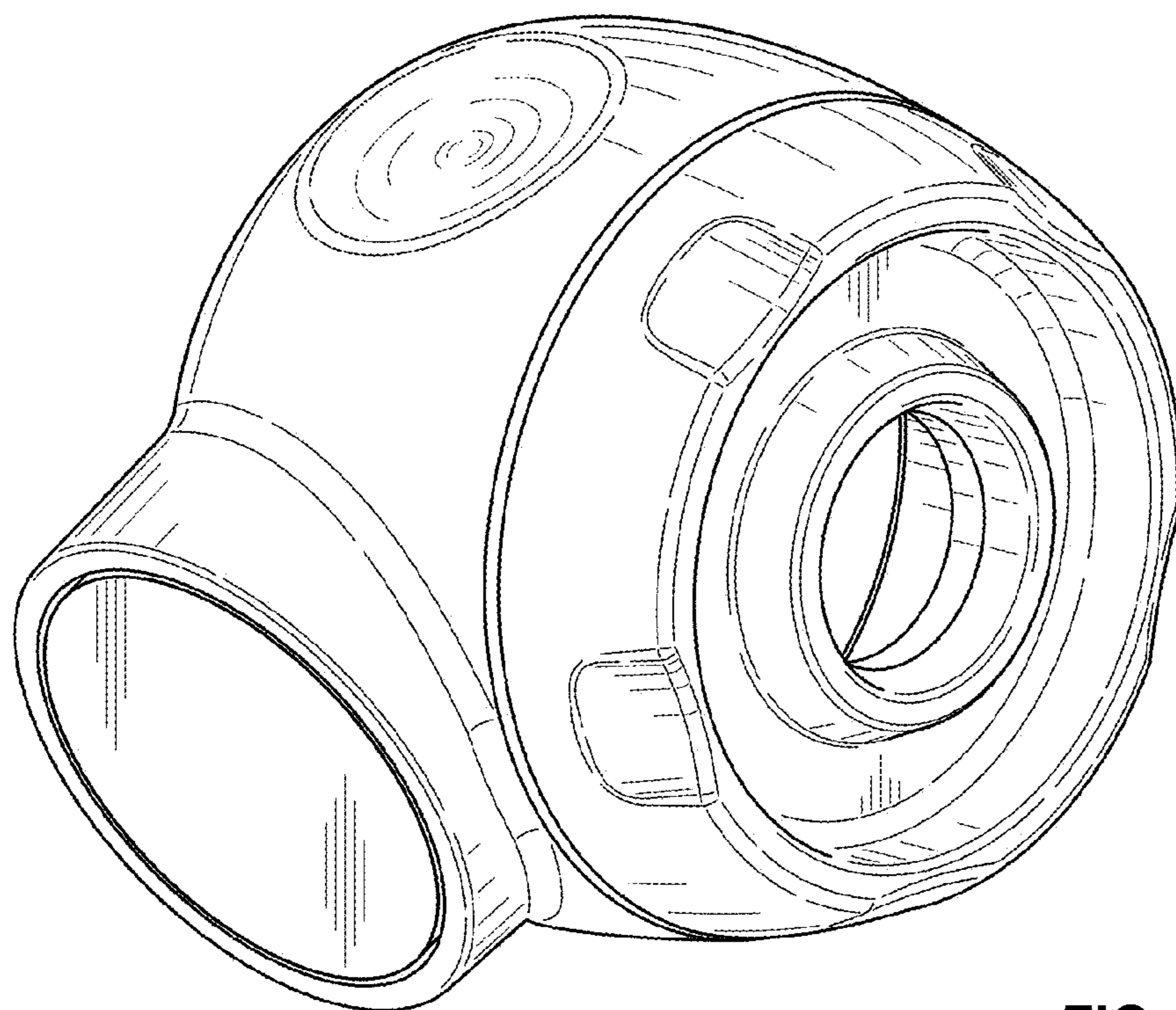


FIG. 1

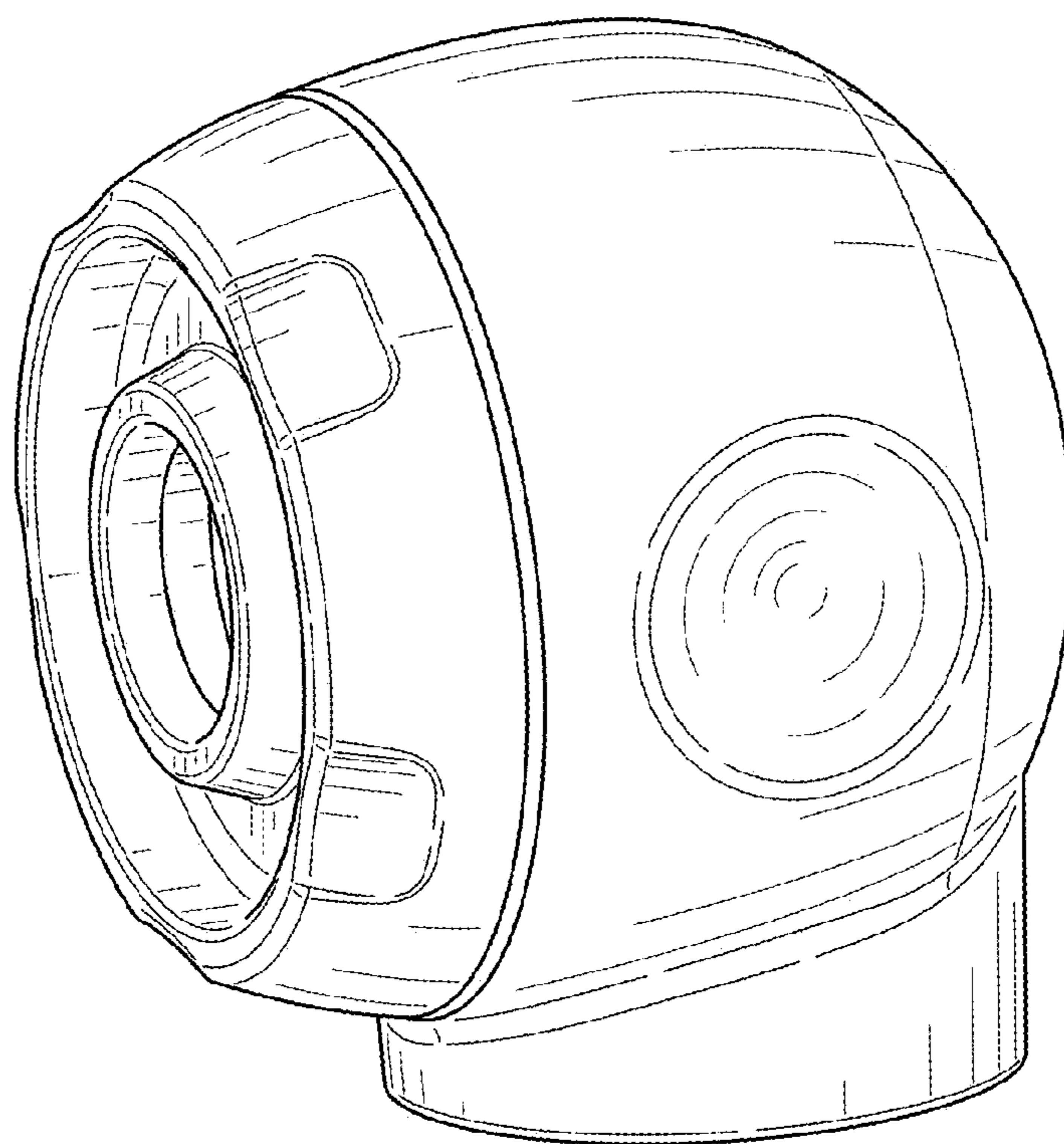


FIG. 2

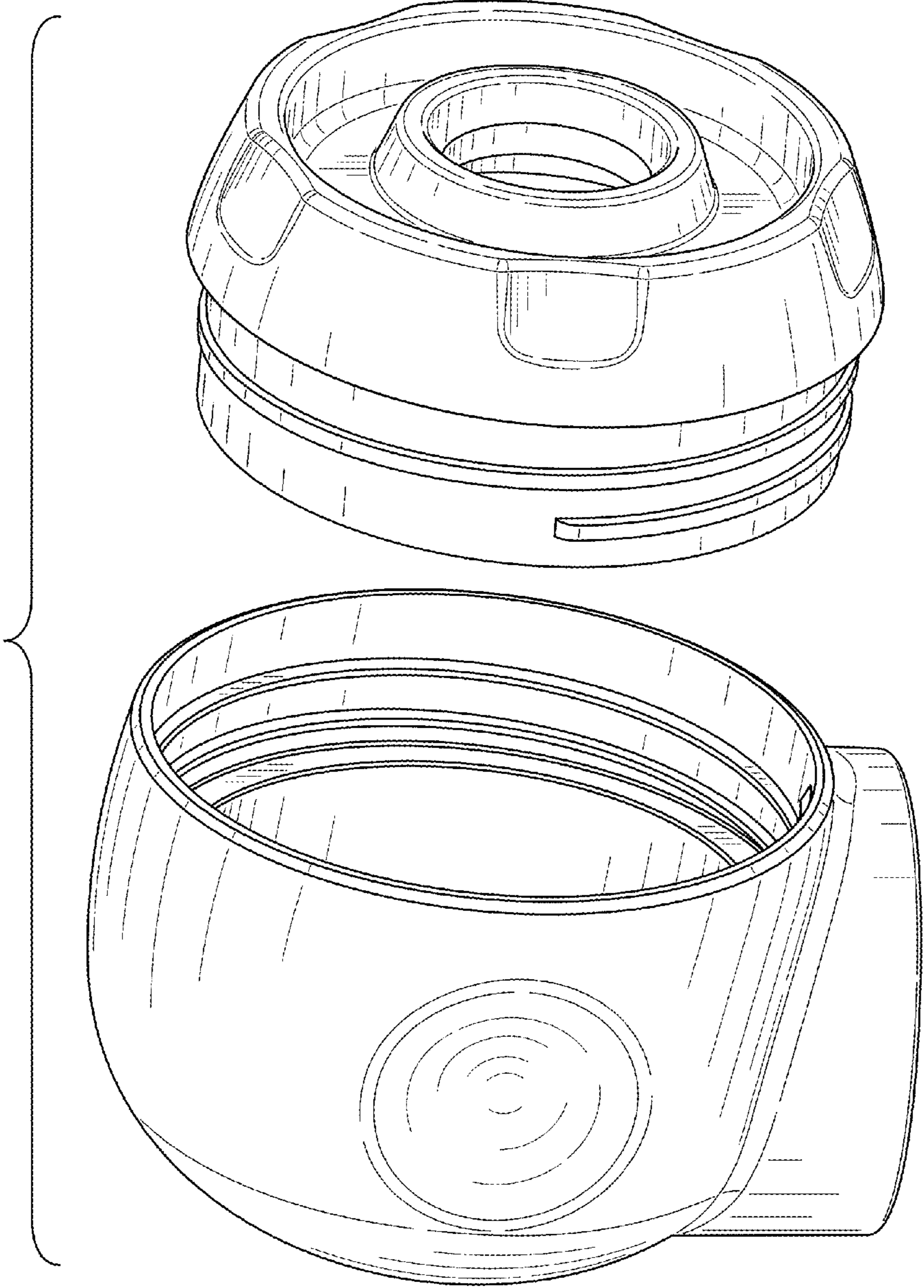


FIG. 3

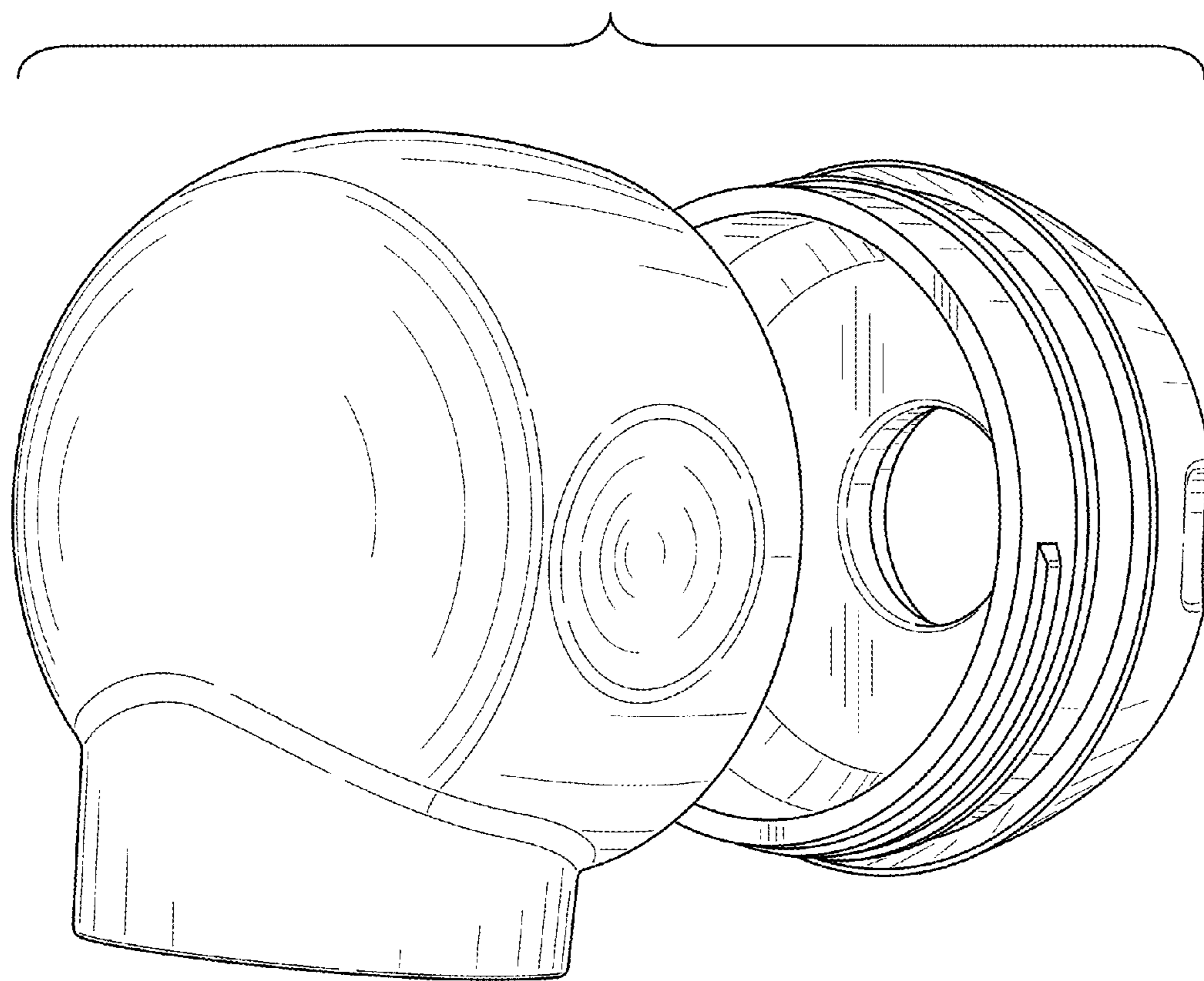


FIG. 4

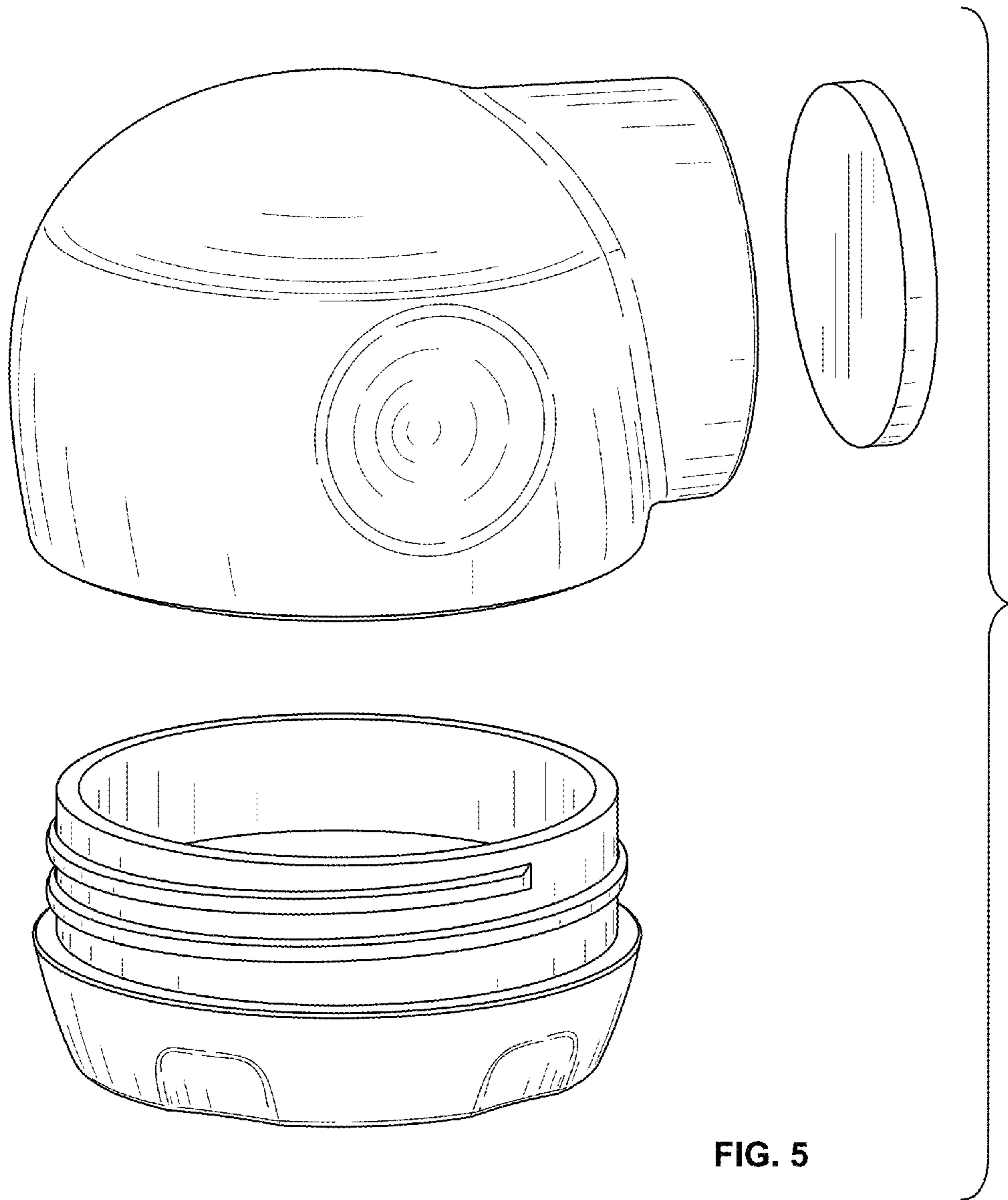


FIG. 5

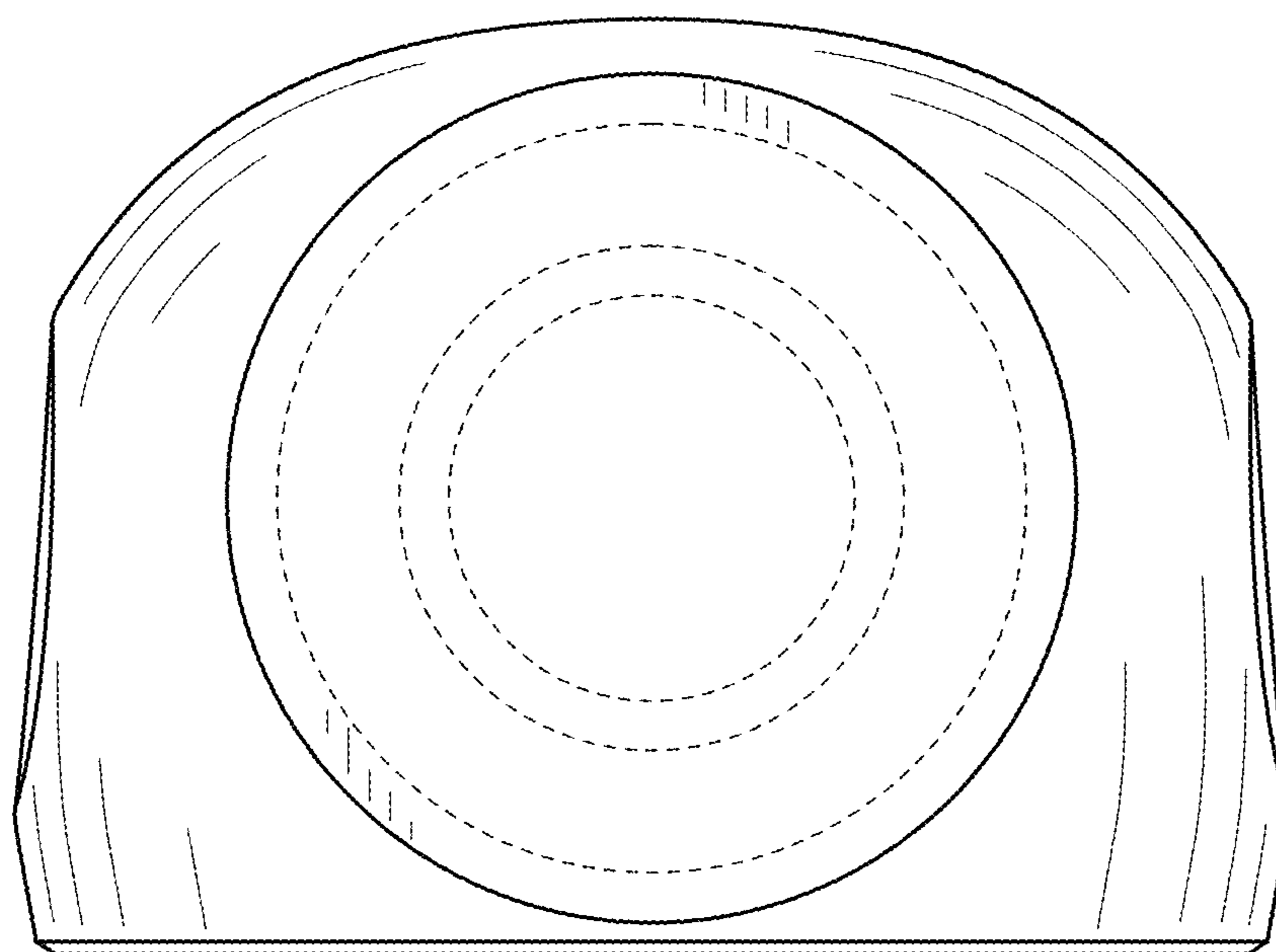


FIG. 6

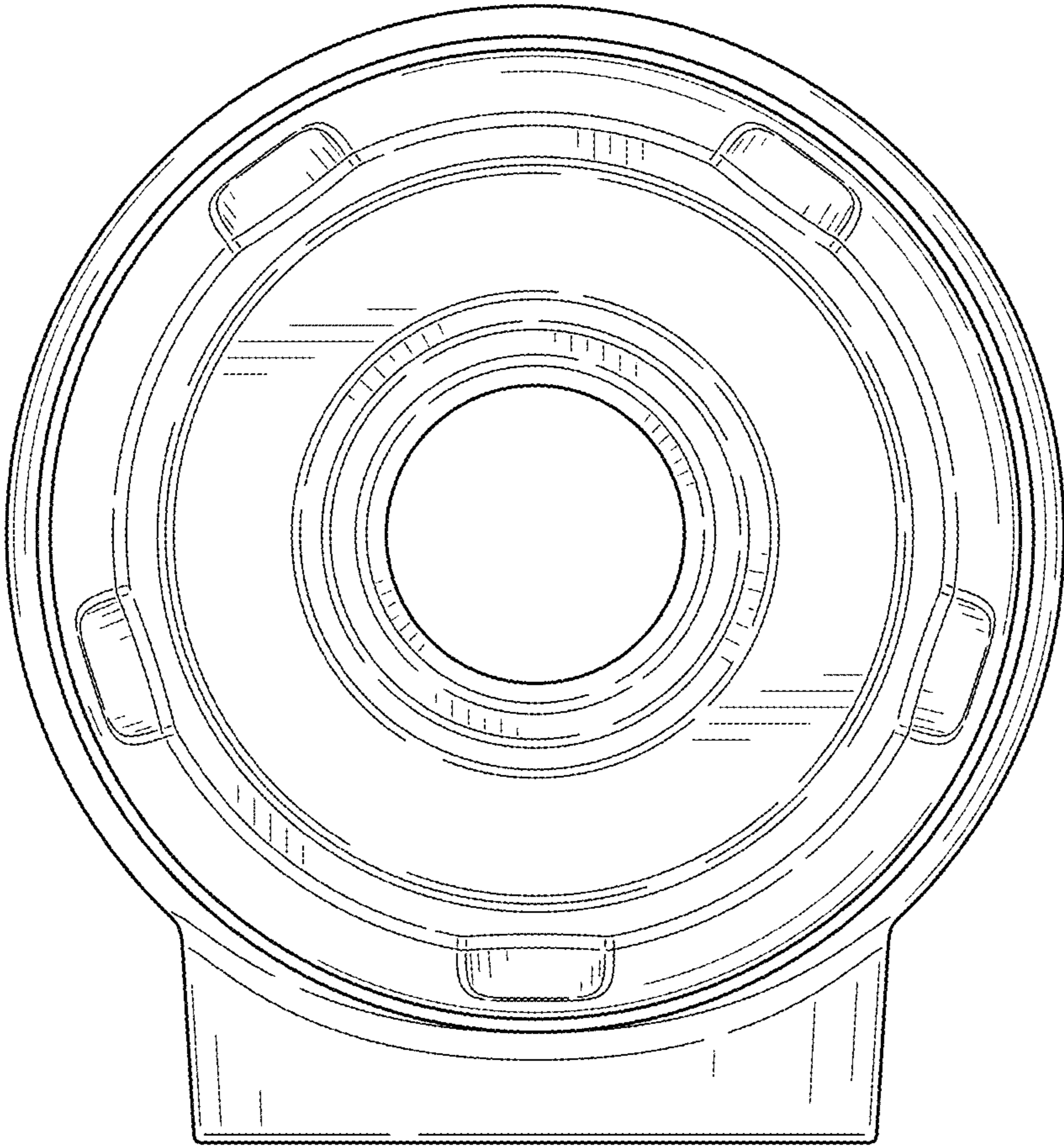


FIG. 7