



US00D758571S

(12) **United States Design Patent**
Geert-Jensen et al.

(10) **Patent No.:** **US D758,571 S**
(45) **Date of Patent:** **** Jun. 7, 2016**

- (54) **INJECTION DEVICE**
- (71) Applicant: **Novo Nordisk A/S, Bagsværd (DK)**
- (72) Inventors: **Anders Geert-Jensen, Aarhus C (DK);
Emil Wegger Jensen, Aarhus C (DK)**
- (73) Assignee: **Novo Nordisk A/S (DK)**
- (**) Term: **15 Years**
- (21) Appl. No.: **29/527,005**
- (22) Filed: **May 14, 2015**

- D479,603 S 9/2003 Tyce
- D479,747 S 9/2003 Bainton
- D501,253 S 1/2005 Bainton
- 6,899,699 B2 5/2005 Enggaard
- 6,932,794 B2* 8/2005 Giambattista A61M 5/31585
604/207
- D551,341 S 9/2007 Galbraith
- D554,291 S 10/2007 Darnell et al.
- D555,609 S 11/2007 Galbraith
- D610,677 S 2/2010 Tyce
- D611,539 S 3/2010 Zhang
- D612,486 S 3/2010 Van der Stappen
- 7,686,786 B2 3/2010 Moller et al.
- D619,702 S 7/2010 Galbraith
- D623,732 S 9/2010 Brady et al.
- D626,216 S 10/2010 Tyce

(Continued)

Related U.S. Application Data

- (63) Continuation of application No. 29/419,158, filed on Apr. 25, 2012, now Pat. No. Des. 734,450.

(30) **Foreign Application Priority Data**

Nov. 1, 2011 (EM) 001940834-0001

- (51) **LOC (10) Cl.** **24-02**

- (52) **U.S. Cl.**
USPC **D24/113**

- (58) **Field of Classification Search**
USPC D24/112-114, 133, 186, 104, 130, 127;
606/181, 185
CPC A61M 5/178; A61M 3/00; A61M 5/20;
A61M 5/31; A61M 5/3146; A61M 5/3129;
A61M 5/3148; A61M 5/315
See application file for complete search history.

(56) **References Cited**

U.S. PATENT DOCUMENTS

- 2,479,414 A 8/1949 Sanbonmatsu
- 5,709,662 A 1/1998 Olive et al.
- D415,524 S 10/1999 Waldinger
- 6,004,297 A 12/1999 Steinfeldt-Jensen et al.
- D452,271 S 12/2001 Owen et al.
- D479,599 S 9/2003 Bainton

OTHER PUBLICATIONS

Designit Flexpro Design Literature, <http://designit.com/cases/pushing-our-design-into-new-territories>, downloaded from the Internet Sep. 8, 2011.

Primary Examiner — David Muller

(74) *Attorney, Agent, or Firm* — Saidman DesignLaw Group, LLC

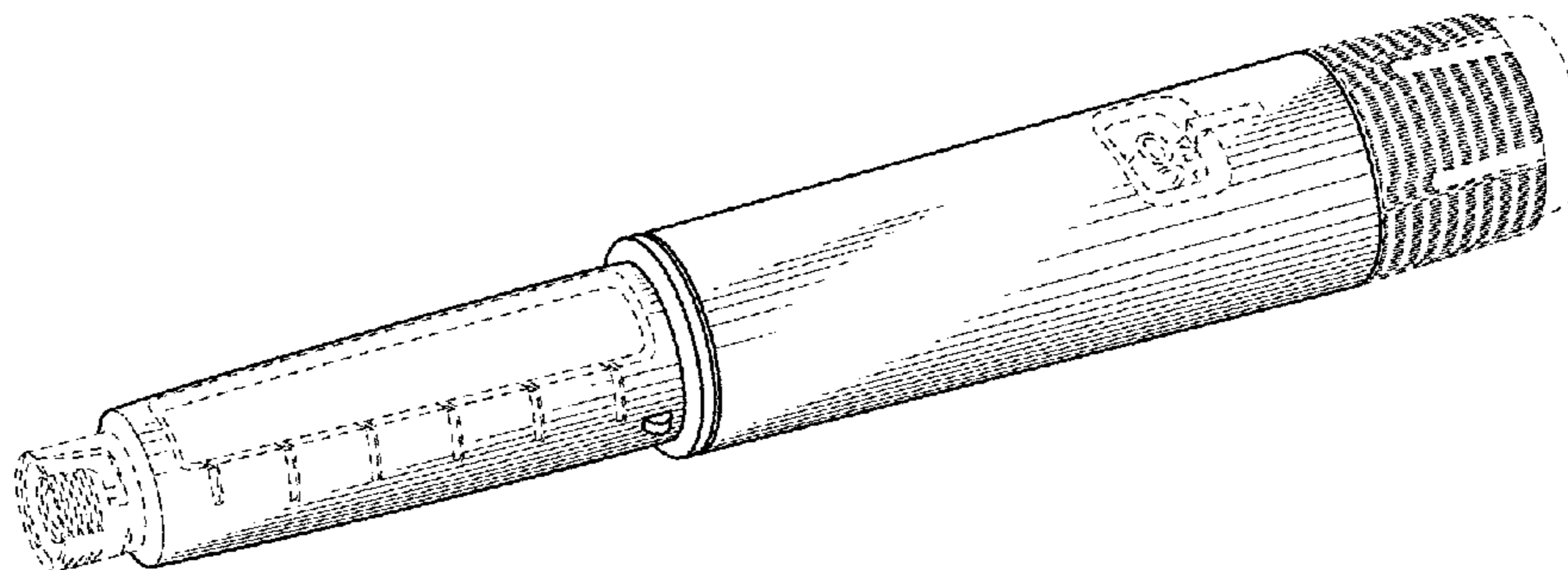
(57) **CLAIM**

The ornamental design for an injection device, as shown and described.

DESCRIPTION

FIG. 1 is a front view of an injection device showing our new design;
 FIG. 2 is a rear view thereof;
 FIG. 3 is a top view thereof;
 FIG. 4 is a bottom view thereof;
 FIG. 5 is a front perspective view thereof;
 FIG. 6 is a left side view thereof; and,
 FIG. 7 is a right side view thereof.
 The broken lines represent structure or features which form no part of the claimed design.

1 Claim, 3 Drawing Sheets



(56)

References Cited

U.S. PATENT DOCUMENTS

RE41,956 E	11/2010	Klitgaard et al.				
D628,642 S	12/2010	Tan				
D628,646 S	12/2010	Zhano				
D641,077 S	7/2011	Sanders et al.				
D641,782 S	7/2011	Lira-Nunez et al.				
D651,305 S	12/2011	Hawley et al.				
D652,136 S	1/2012	Hawley et al.				
D669,128 S	10/2012	Zhang				
D689,932 S	9/2013	Jin				
D696,771 S *	12/2013	Schneider	D24/113			
D697,617 S *	1/2014	Sanders	D24/113			
D717,940 S *	11/2014	Magome	D24/113			
D719,257 S *	12/2014	Magome	D24/113			
				D724,721 S	3/2015	Geert-Jensen et al.
				D729,930 S	5/2015	Geert-Jensen et al.
				D746,444 S *	12/2015	Jones
				D749,719 S *	2/2016	Sanders
				2007/0088288 A1 *	4/2007	Barron
						A61M 5/31541
						604/207
				2007/0123829 A1 *	5/2007	Atterbury
						A61M 5/31566
						604/207
				2007/0129687 A1 *	6/2007	Marshall
						A61M 5/20
						604/207
				2008/0071226 A1 *	3/2008	Moser
						A61M 5/3156
						604/207
				2009/0124981 A1 *	5/2009	Evans
						A61M 5/2033
						604/197
				2009/0259196 A1 *	10/2009	Gratwohl
						A61M 5/326
						604/198

* cited by examiner

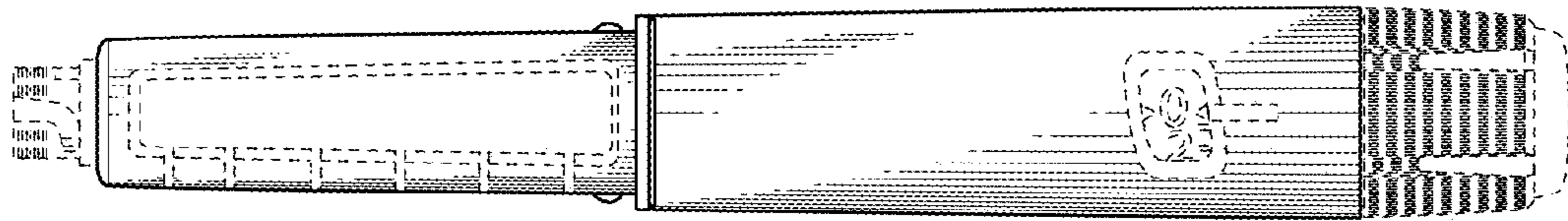


FIG. 1

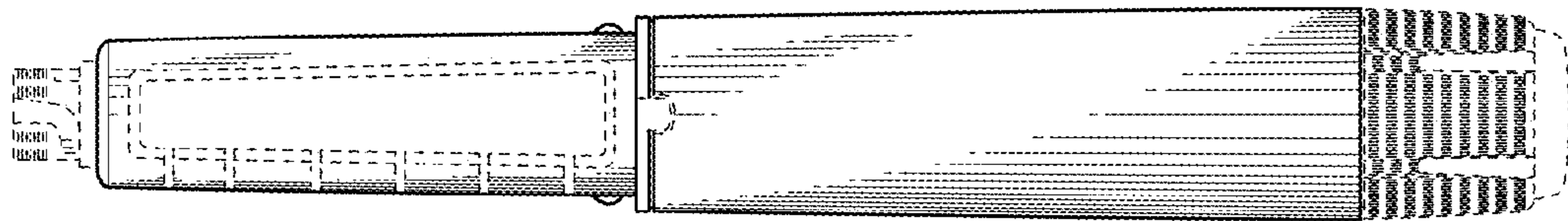


FIG. 2

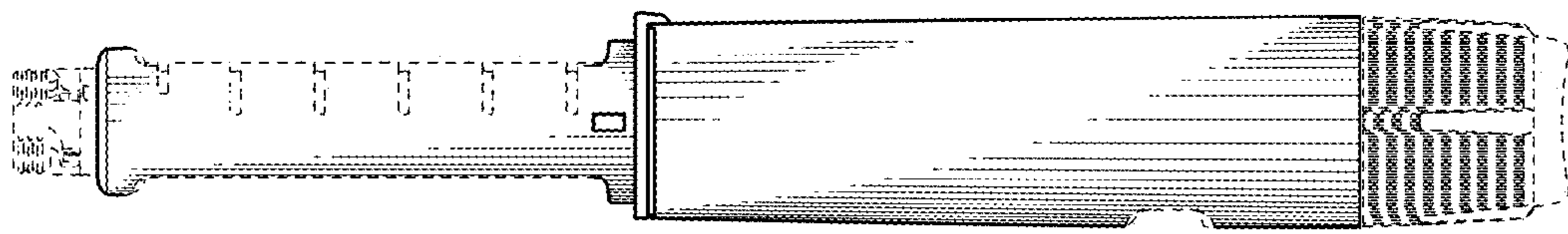


FIG. 3

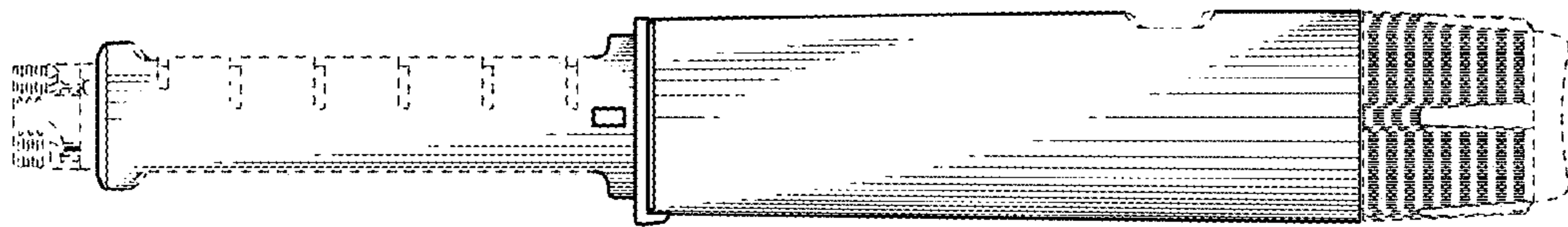


FIG. 4

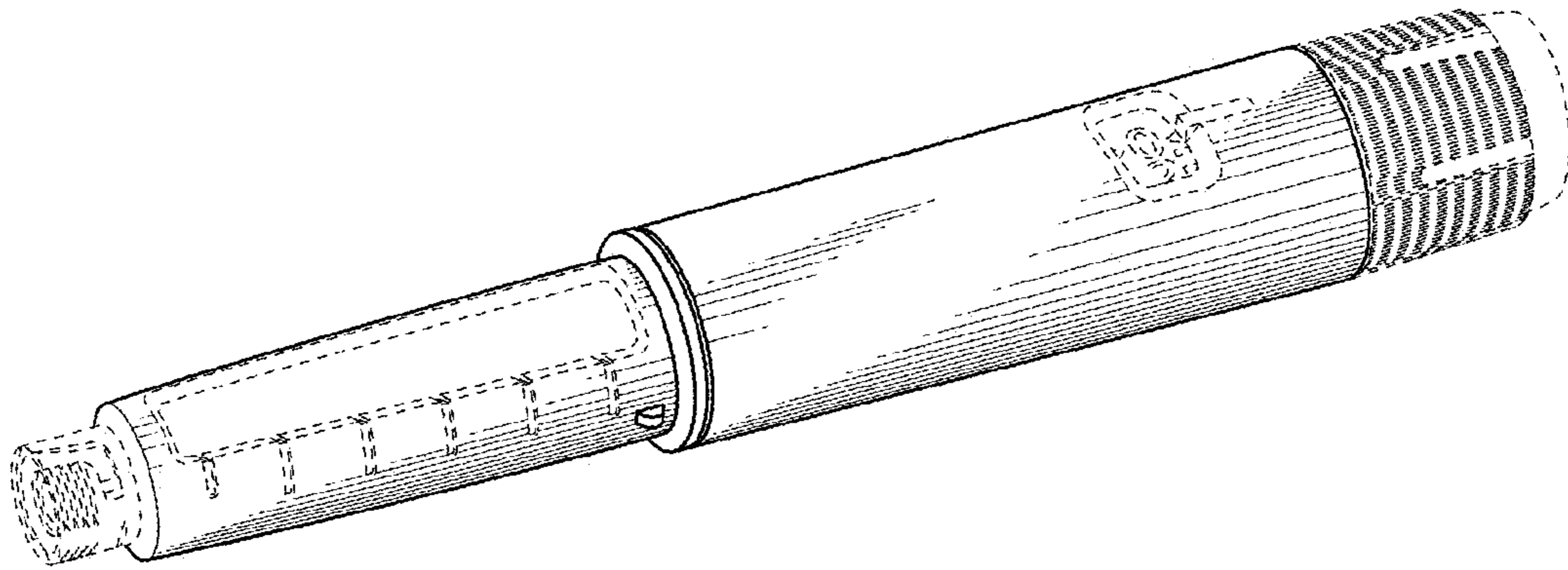


FIG. 5

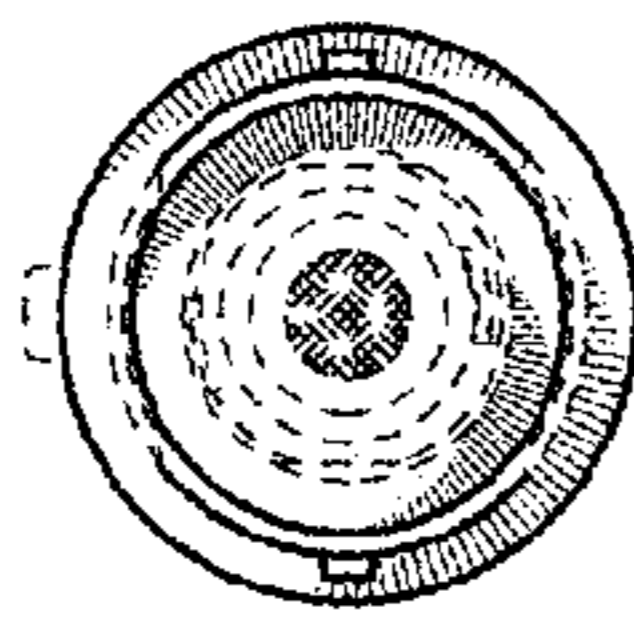


FIG. 6

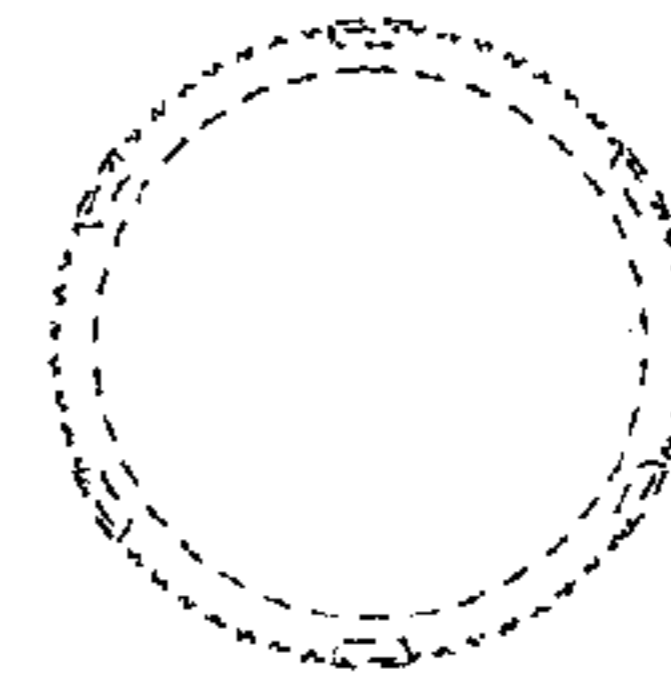


FIG. 7