



US00D758570S

(12) **United States Design Patent**  
**Wohlfahrt et al.**

(10) **Patent No.:** **US D758,570 S**  
(45) **Date of Patent:** **\*\* Jun. 7, 2016**

- (54) **AUTOINJECTOR HOUSING**
- (71) Applicant: **Sanofi-Aventis Deutschland GmbH**,  
Frankfurt (DE)
- (72) Inventors: **Tobias Wohlfahrt**, Munich (DE);  
**Christian Rogge**, Munich (DE)
- (73) Assignee: **Sanofi-Aventis Deutschland GmbH**,  
Frankfurt am Main (DE)
- (\*\*) Term: **14 Years**

D696,774 S *	12/2013	Guarraia	.....	D24/113
D696,775 S *	12/2013	Guarraia	.....	D24/113
D697,205 S *	1/2014	Schneider	.....	D24/113
8,740,860 B2 *	6/2014	Theucher	.....	A61M 5/24 604/207
D708,317 S *	7/2014	Schneider	.....	D24/113
D714,932 S *	10/2014	Hall	.....	D24/112
D728,782 S	5/2015	Dubuc		
D732,161 S *	6/2015	Ohashi	.....	D24/113
D732,661 S	6/2015	Dubuc		
D737,430 S *	8/2015	Wargner	.....	D24/112
D739,011 S	9/2015	Morrison, Jr.		
D743,539 S	11/2015	Chung		
D745,664 S	12/2015	Pocock		

(21) Appl. No.: **29/520,170**

(22) Filed: **Mar. 11, 2015**

(30) **Foreign Application Priority Data**

Jan. 7, 2015 (EM) ..... 002609784-0002  
 Jan. 7, 2015 (EM) ..... 002609784-0005

(51) **LOC (10) Cl.** ..... **24-02**  
 (52) **U.S. Cl.**  
 USPC ..... **D24/113**

(58) **Field of Classification Search**  
 USPC ..... D24/112-114, 108, 133, 130, 127, 186;  
 606/181, 185; 604/264, 272, 187, 181,  
 604/184, 227  
 CPC ..... A61M 5/178; A61M 3/00; A61M 5/20;  
 A61M 5/31; A61M 5/3146; A61M 5/3129;  
 A61M 5/3148  
 See application file for complete search history.

(56) **References Cited**

**U.S. PATENT DOCUMENTS**

D484,977 S *	1/2004	Ryan	.....	D24/133
D627,061 S *	11/2010	Van der Stappen	.....	D24/113
8,298,194 B2 *	10/2012	Moller	.....	A61M 5/24 604/181
D683,016 S *	5/2013	Mirza	.....	D24/112
D687,543 S	8/2013	Pala		
D696,773 S *	12/2013	Schneider	.....	D24/113

**OTHER PUBLICATIONS**

Examination Report in NZ Application No. 420861, dated Nov. 10, 2015, 2 pages.

Screenshots relating to "Auto Injector citations by SHL Group," publically visible from Dec. 30, 2014, 4 pages.

\* cited by examiner

*Primary Examiner* — David Muller

(74) *Attorney, Agent, or Firm* — Fish & Richardson P.C.

(57) **CLAIM**

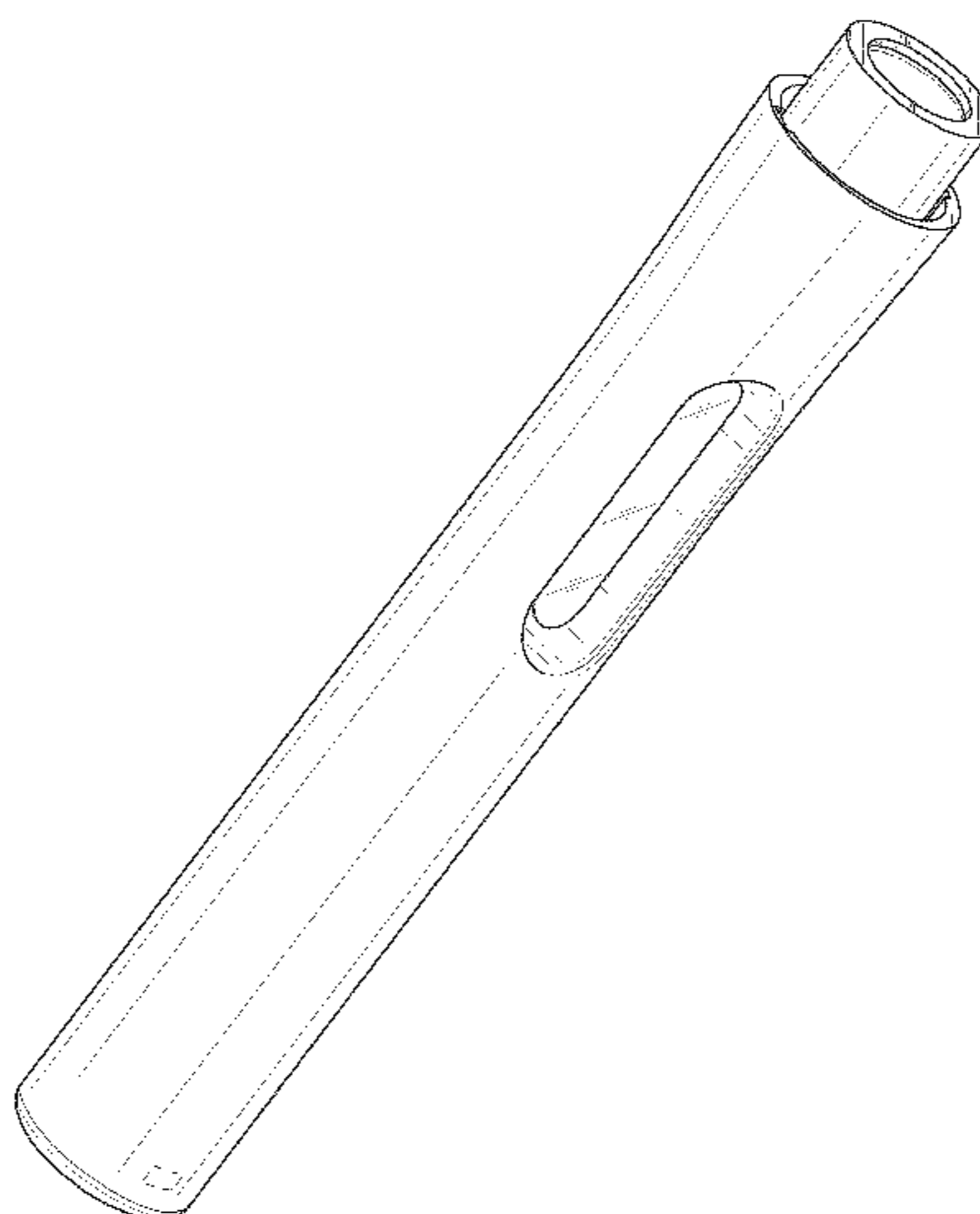
The ornamental design for an autoinjector housing, as shown and described.

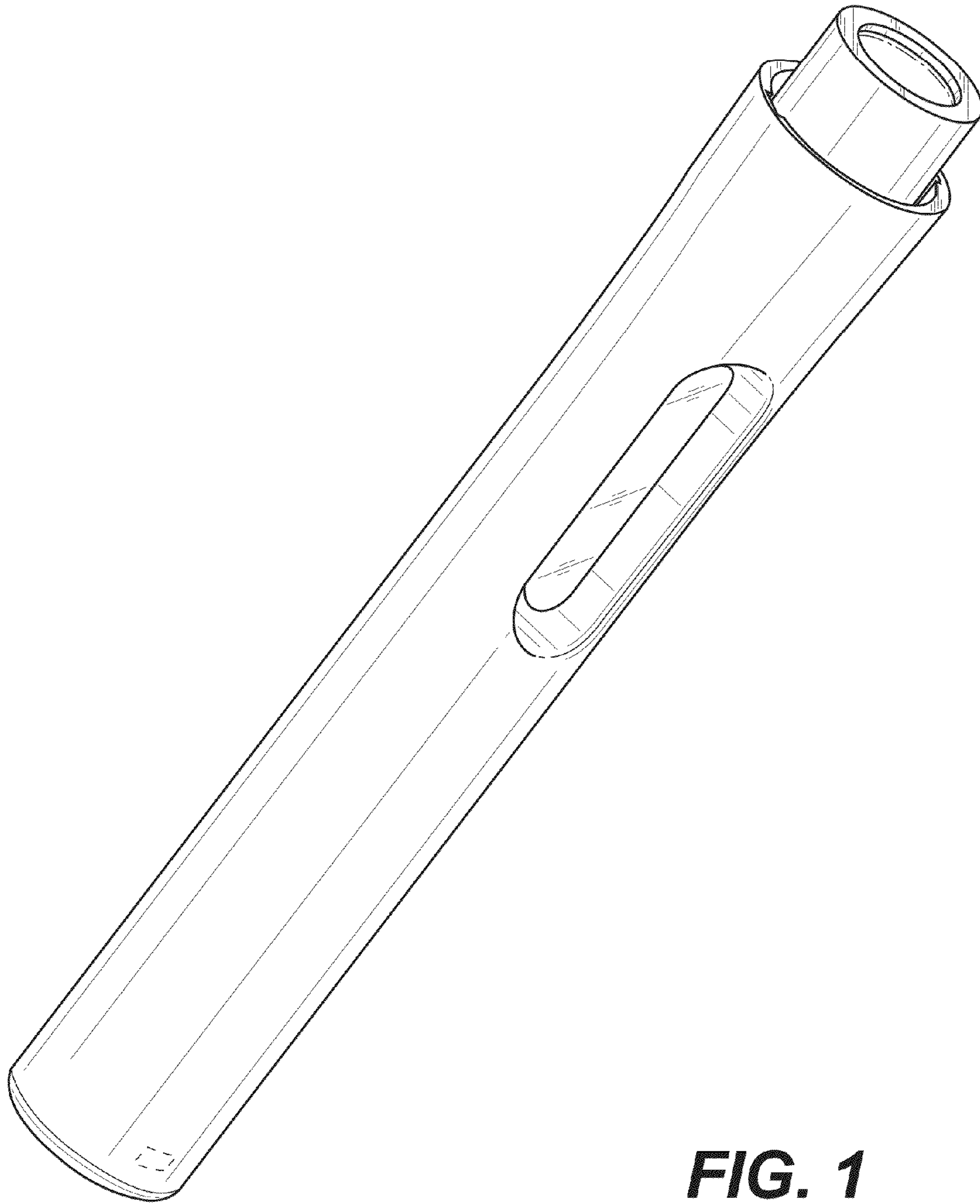
**DESCRIPTION**

FIG. 1 is a front top left perspective view of an autoinjector housing showing our new design;  
 FIG. 2 is a front bottom left perspective view thereof;  
 FIG. 3 is a front elevation view thereof, the rear elevation view being identical thereto;  
 FIG. 4 is a left side view thereof;  
 FIG. 5 is a right side view thereof;  
 FIG. 6 is a top plan view thereof; and,  
 FIG. 7 is a bottom plan view thereof.

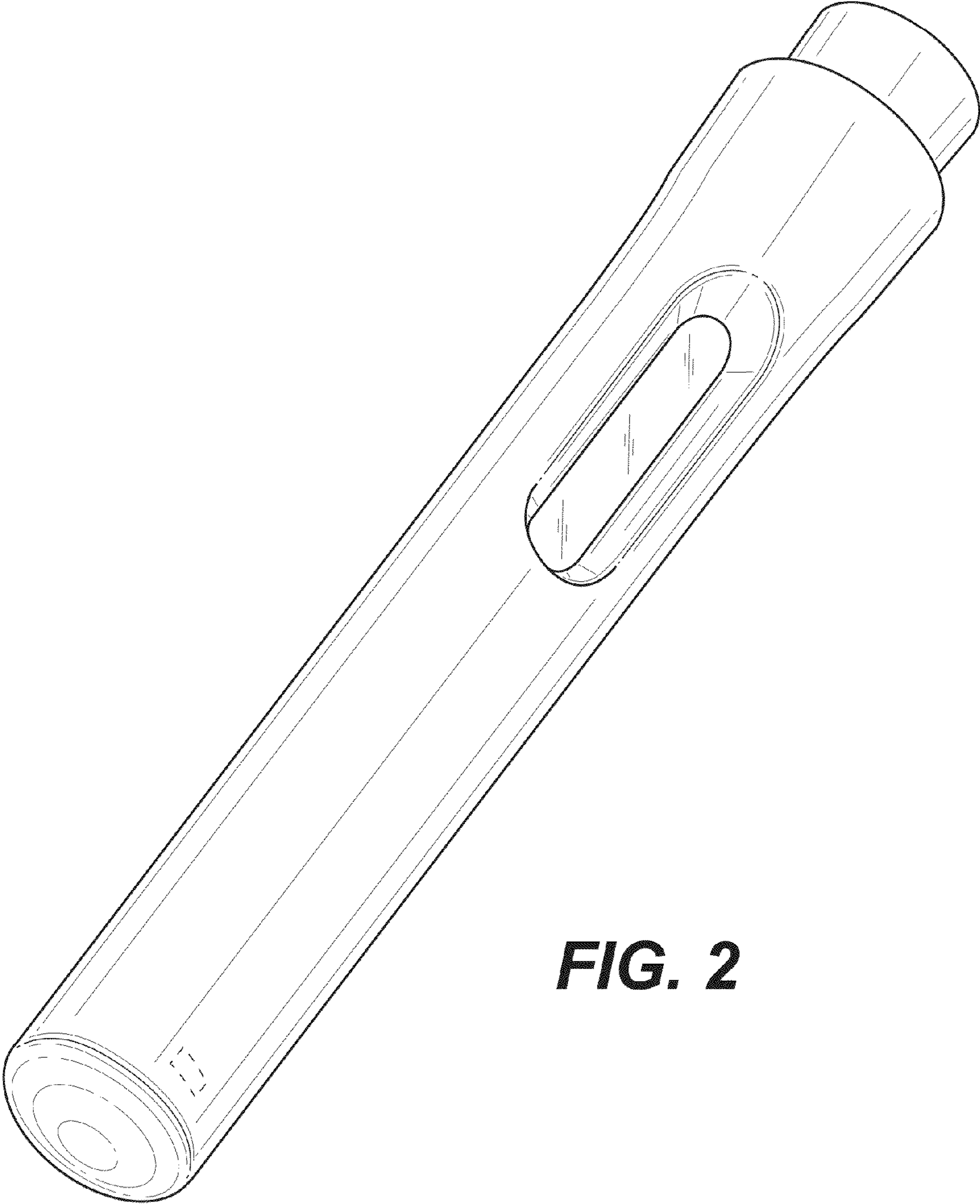
The broken lines of even length shown in the drawings illustrate portions of the autoinjector housing that forms no part of the claimed design. The broken lines of uneven length define the boundary of the claimed design.

**1 Claim, 7 Drawing Sheets**

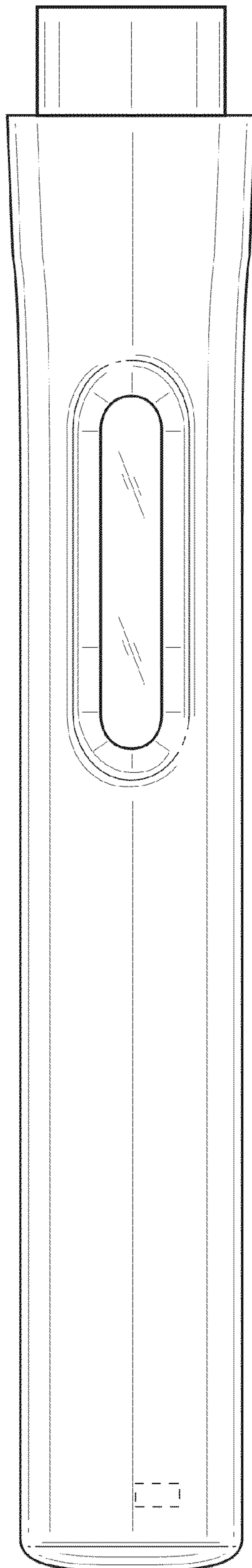




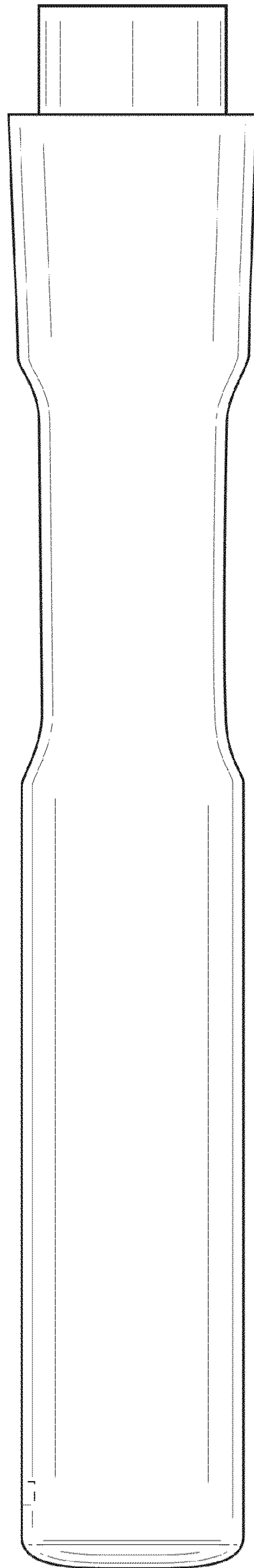
**FIG. 1**



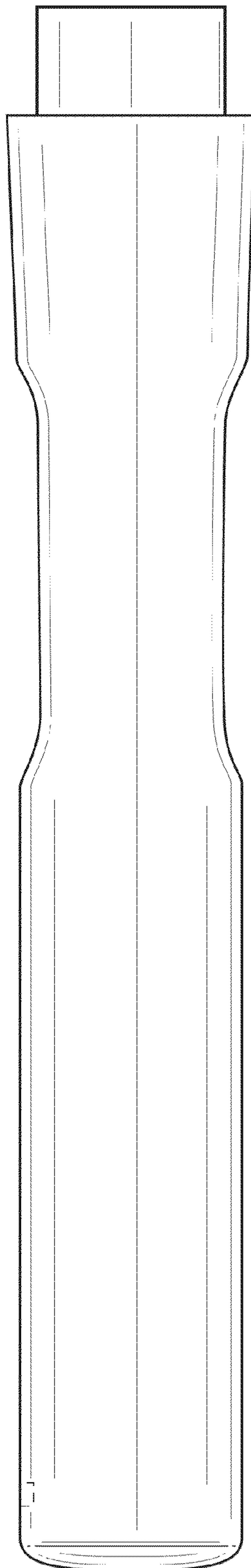
**FIG. 2**



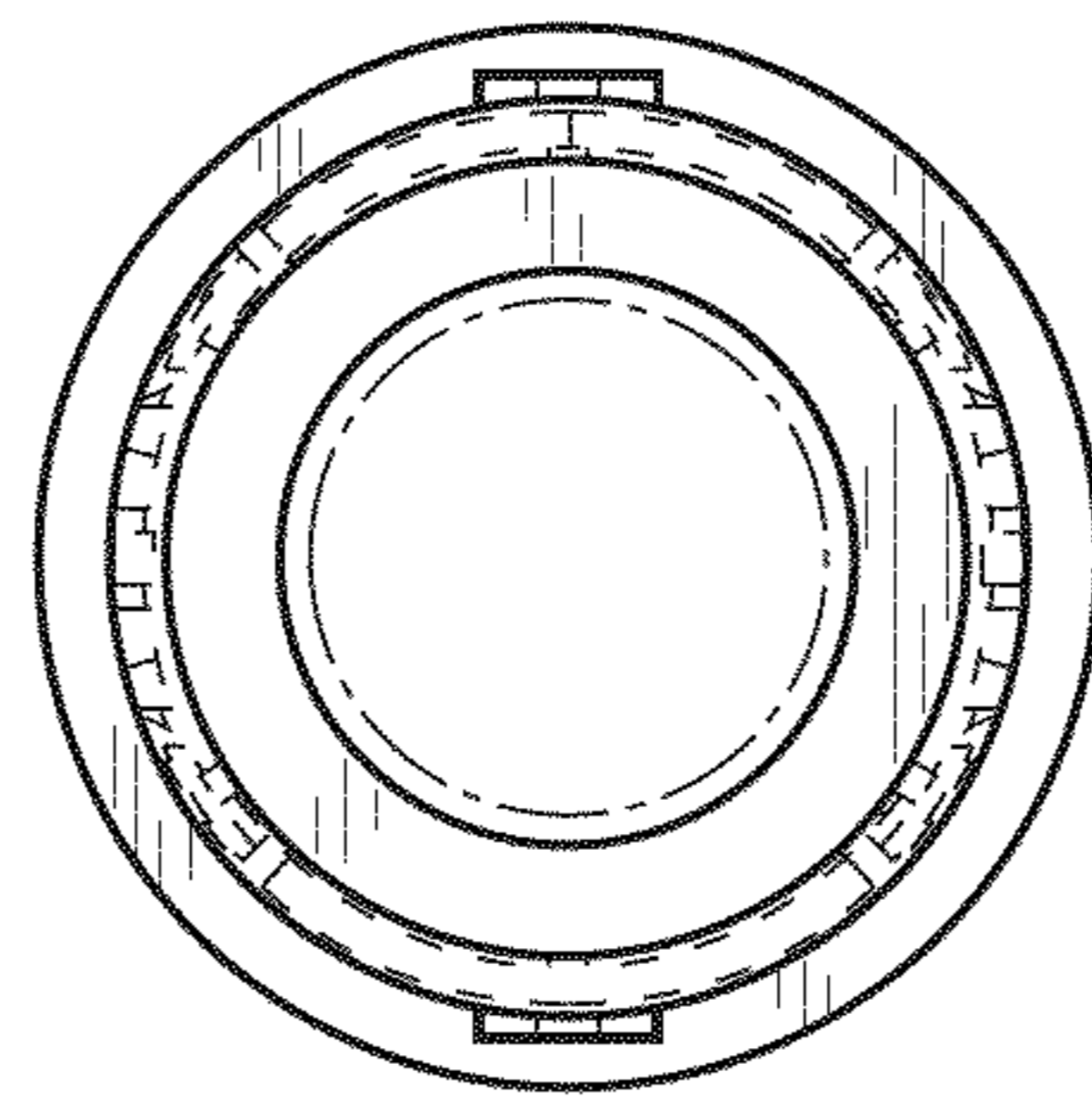
**FIG. 3**



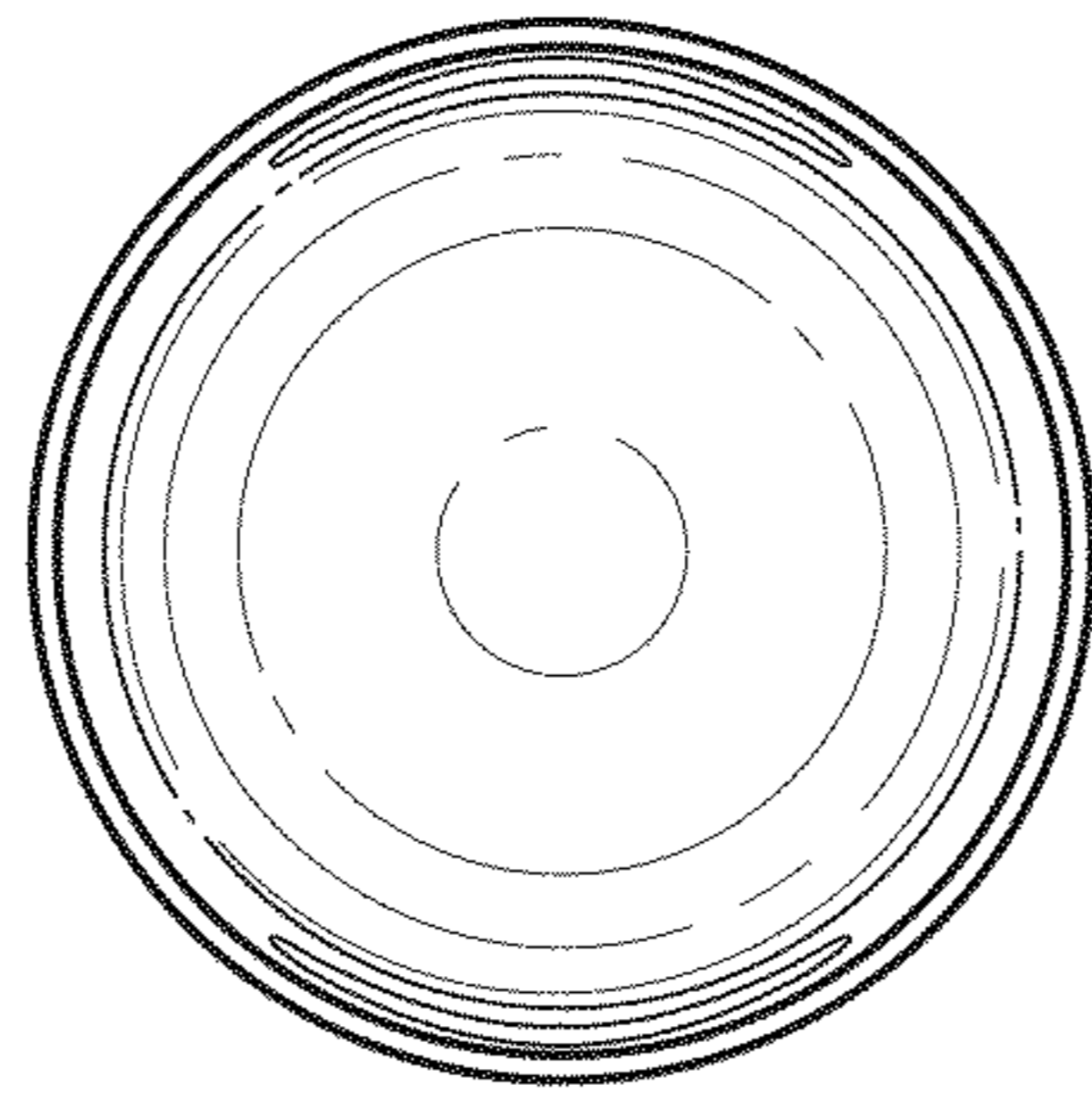
**FIG. 4**



**FIG. 5**



**FIG. 6**



***FIG. 7***