



US00D758569S

(12) **United States Design Patent**  
**Wohlfahrt et al.**

(10) **Patent No.:** **US D758,569 S**  
(45) **Date of Patent:** **\*\* Jun. 7, 2016**

- (54) **AUTOINJECTOR HOUSING**
- (71) Applicant: **Sanofi-Aventis Deutschland GmbH**,  
Frankfurt (DE)
- (72) Inventors: **Tobias Wohlfahrt**, Munich (DE);  
**Christian Rogge**, Munich (DE)
- (73) Assignee: **Sanofi-Aventis Deutschland GMBH**,  
Frankfurt am Main (DE)
- (\*\*) Term: **14 Years**
- (21) Appl. No.: **29/520,150**
- (22) Filed: **Mar. 11, 2015**
- (30) **Foreign Application Priority Data**  
Jan. 7, 2015 (EM) ..... 002609784-0007  
Jan. 7, 2015 (EM) ..... 002609784-0010
- (51) **LOC (10) Cl.** ..... **24-02**
- (52) **U.S. Cl.**  
USPC ..... **D24/113**
- (58) **Field of Classification Search**  
USPC ..... D24/112-114, 108, 133, 130, 127, 186;  
606/181, 185; 604/264, 272, 187, 181,  
604/184, 227  
CPC ..... A61M 5/178; A61M 3/00; A61M 5/20;  
A61M 5/31; A61M 5/3146; A61M 5/3129;  
A61M 5/3148; A61M 5/315  
See application file for complete search history.

- D696,775 S \* 12/2013 Guarraia ..... D24/113
- D697,205 S \* 1/2014 Schneider ..... D24/113
- 8,740,860 B2 \* 6/2014 Theucher ..... A61M 5/24  
604/207
- D708,317 S \* 7/2014 Schneider ..... D24/113
- D714,932 S \* 10/2014 Hall ..... D24/112
- D728,782 S 5/2015 Dubuc
- D732,161 S \* 6/2015 Ohashi ..... D24/113
- D732,661 S 6/2015 Dubuc
- D737,430 S \* 8/2015 Wargner ..... D24/112
- D739,011 S 9/2015 Morrison, Jr.
- D743,539 S 11/2015 Chung
- D745,664 S 12/2015 Pocock

**OTHER PUBLICATIONS**

Examination Report in NZ Application No. 420861, dated Nov. 10, 2015, 2 pages.  
Screenshots relating to "Auto Injector citations by SHL Group," publically visible from Dec. 30, 2014, 4 pages.

\* cited by examiner

*Primary Examiner* — David Muller

(74) *Attorney, Agent, or Firm* — Fish & Richardson P.C.

(57) **CLAIM**

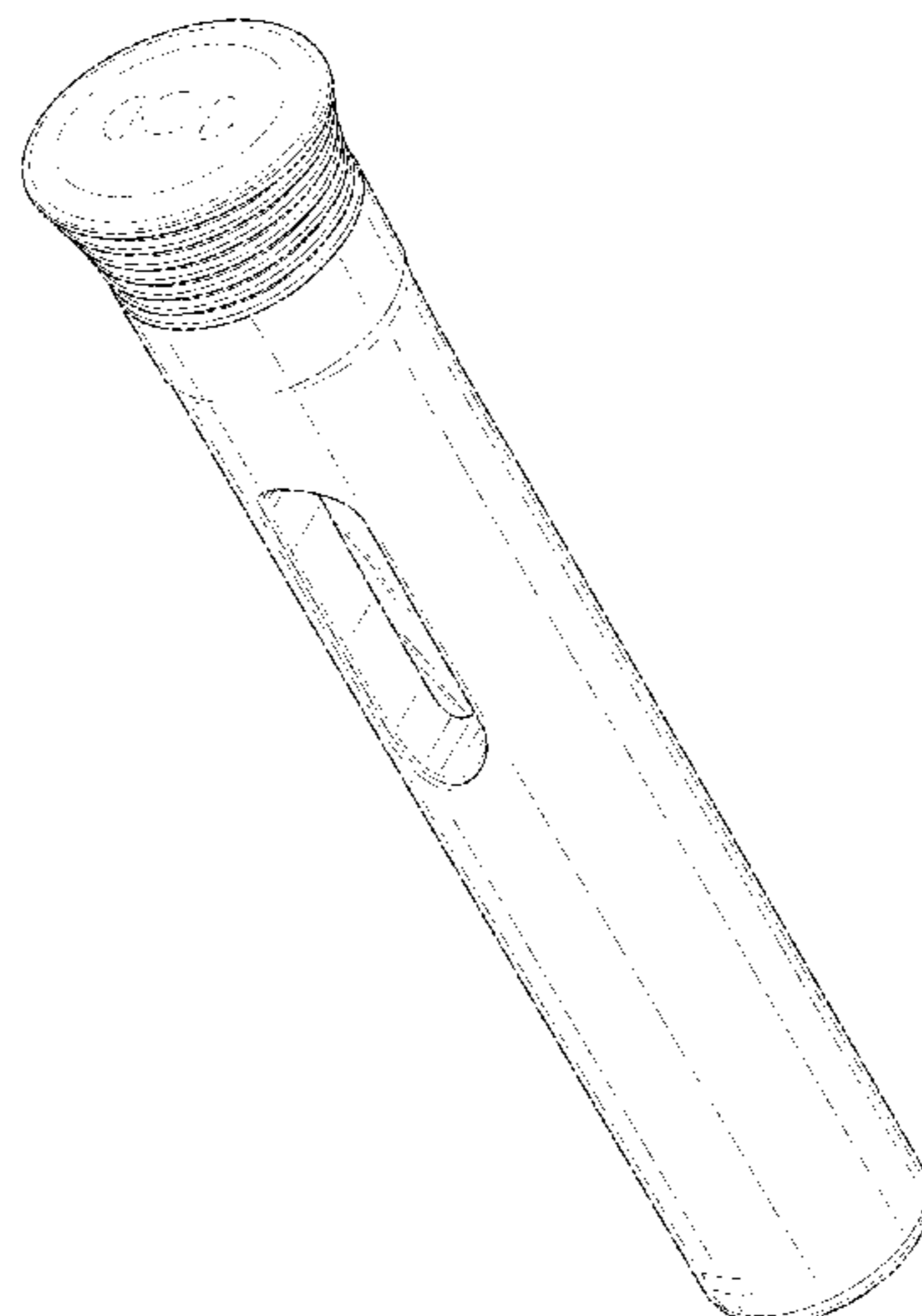
The ornamental design for an autoinjector housing, as shown and described.

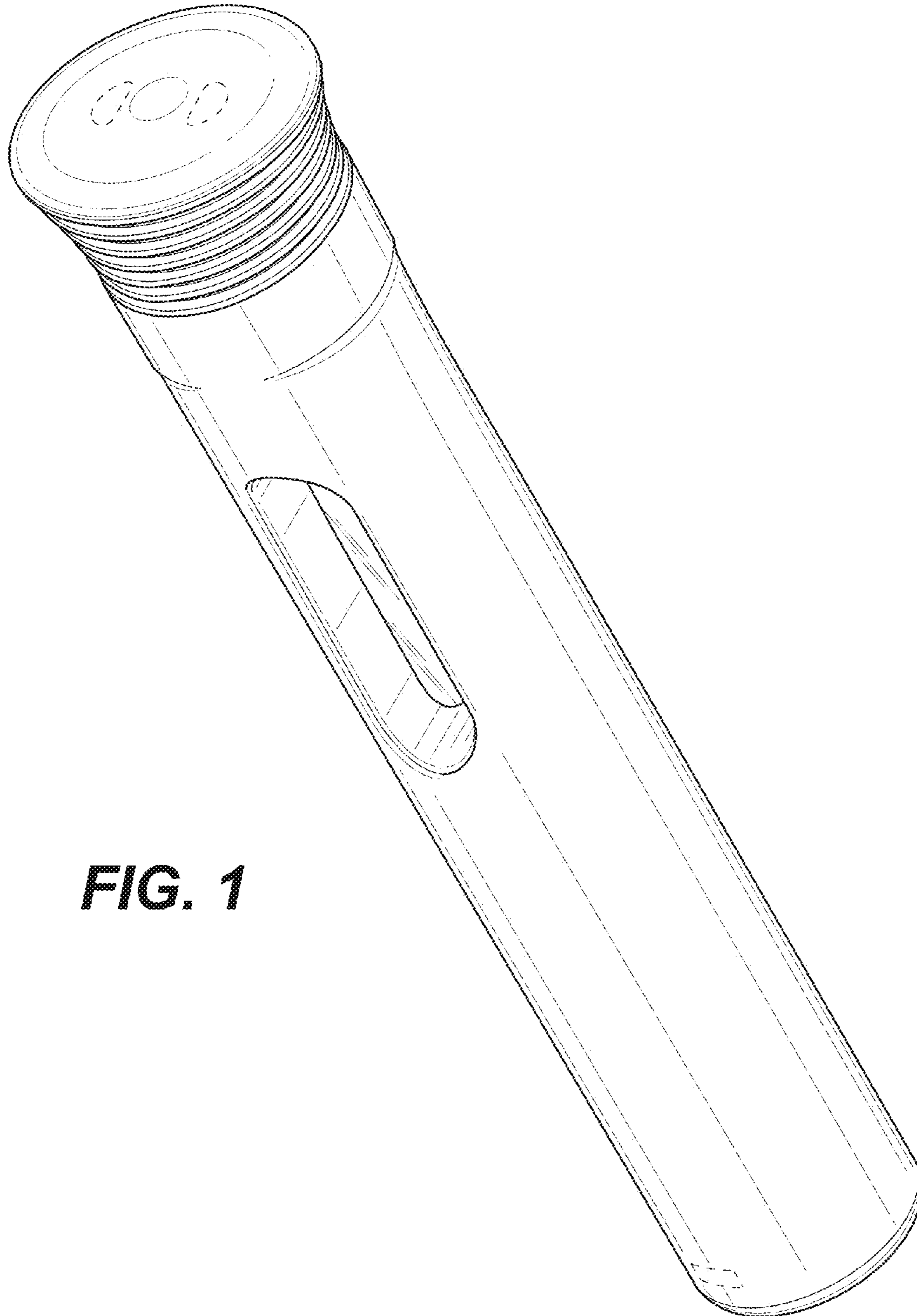
**DESCRIPTION**

FIG. 1 is a front top right perspective view of an autoinjector housing showing our new design;  
FIG. 2 is a front bottom left perspective view thereof;  
FIG. 3 is a rear elevation view thereof, the front elevation view being a mirror image thereof;  
FIG. 4 is a right side view thereof;  
FIG. 5 is a left side view thereof;  
FIG. 6 is a top plan view thereof; and,  
FIG. 7 is a bottom plan view thereof.  
The broken lines of even length shown in the drawings illustrate portions of the autoinjector housing that forms no part of the claimed design.

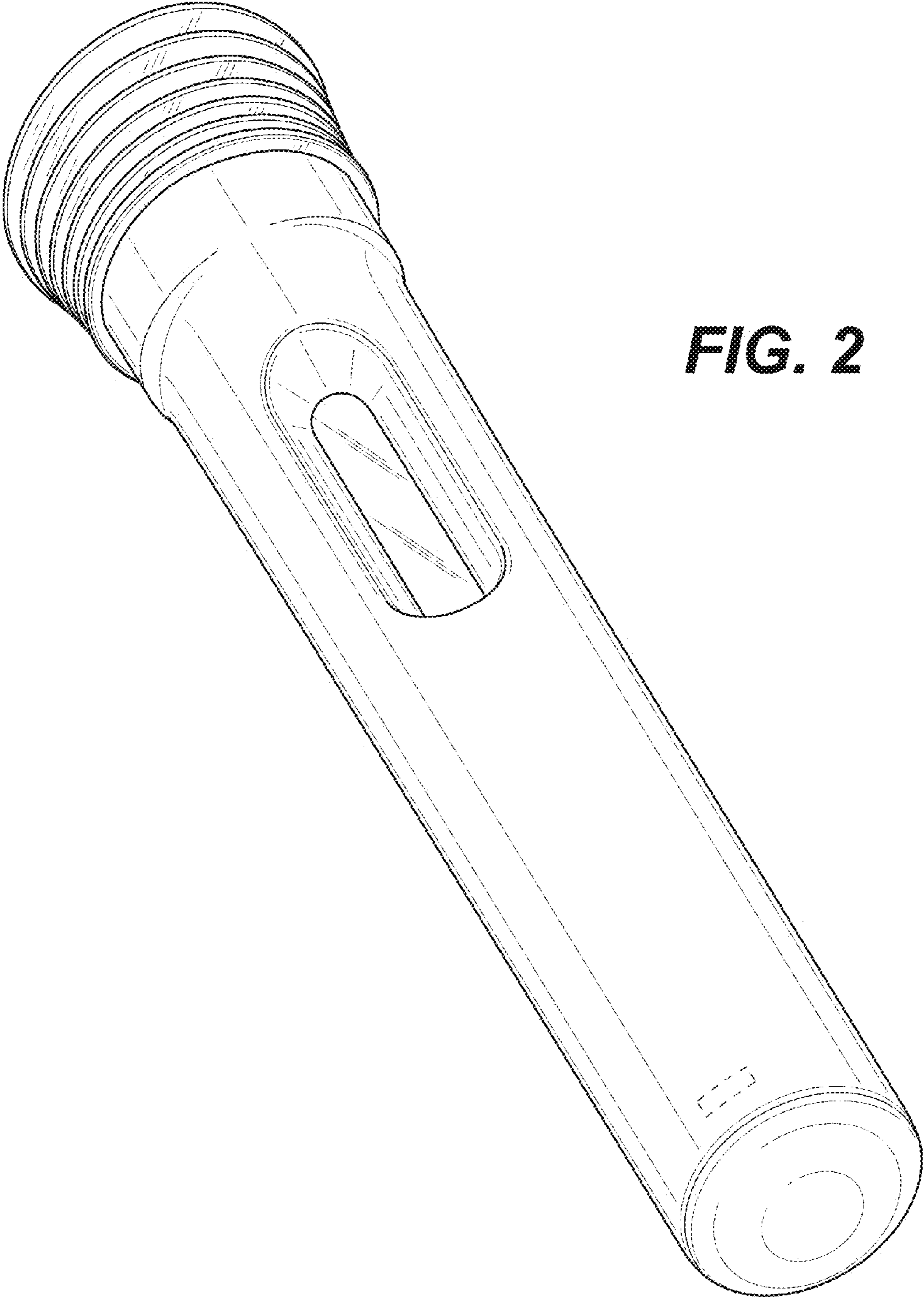
**1 Claim, 5 Drawing Sheets**

- (56) **References Cited**  
U.S. PATENT DOCUMENTS  
D484,977 S \* 1/2004 Ryan ..... D24/133  
D627,061 S \* 11/2010 Van der Stappen ..... D24/113  
8,298,194 B2 \* 10/2012 Moller ..... A61M 5/24  
604/181  
D683,016 S \* 5/2013 Mirza ..... D24/112  
D687,543 S 8/2013 Pala  
D696,773 S \* 12/2013 Schneider ..... D24/113  
D696,774 S \* 12/2013 Guarraia ..... D24/113

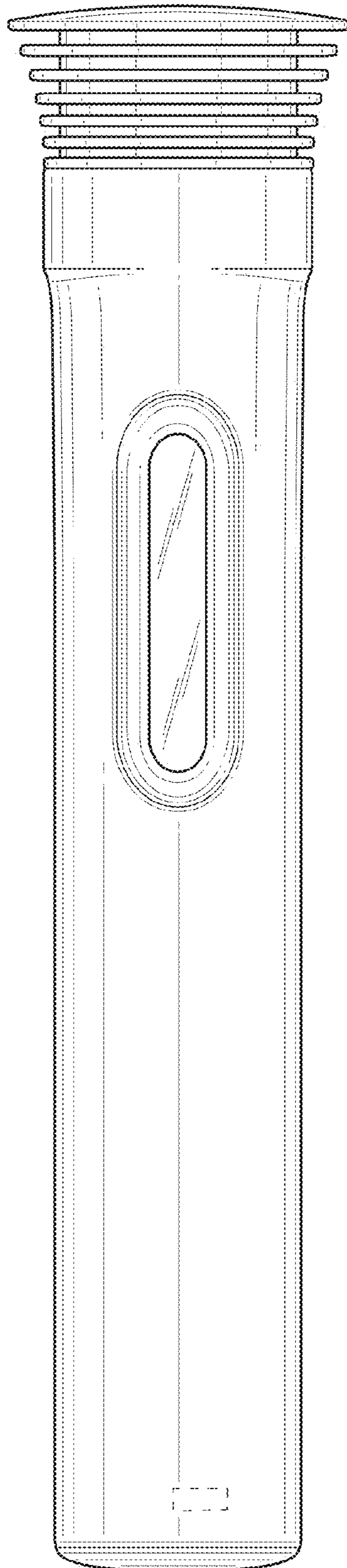




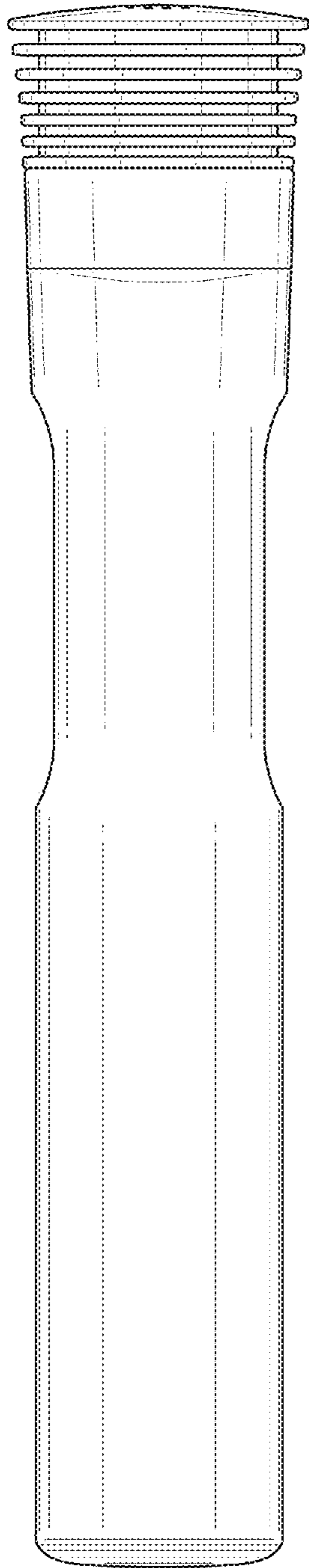
**FIG. 1**



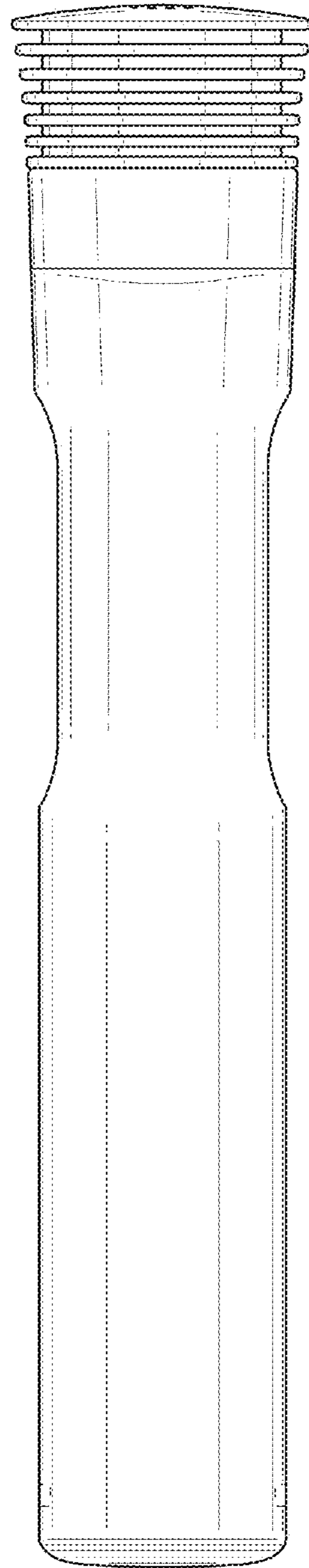
**FIG. 2**



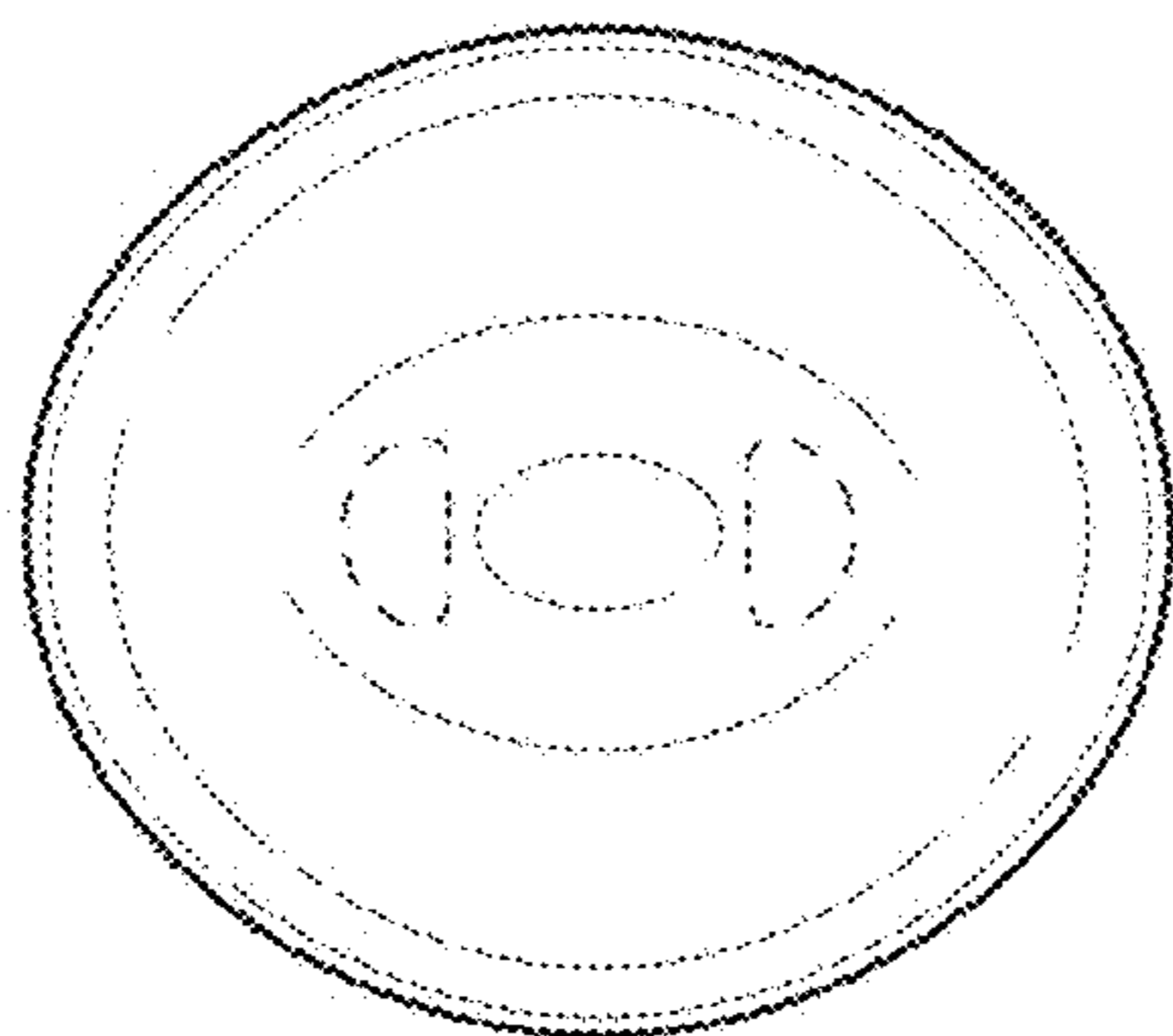
**FIG. 3**



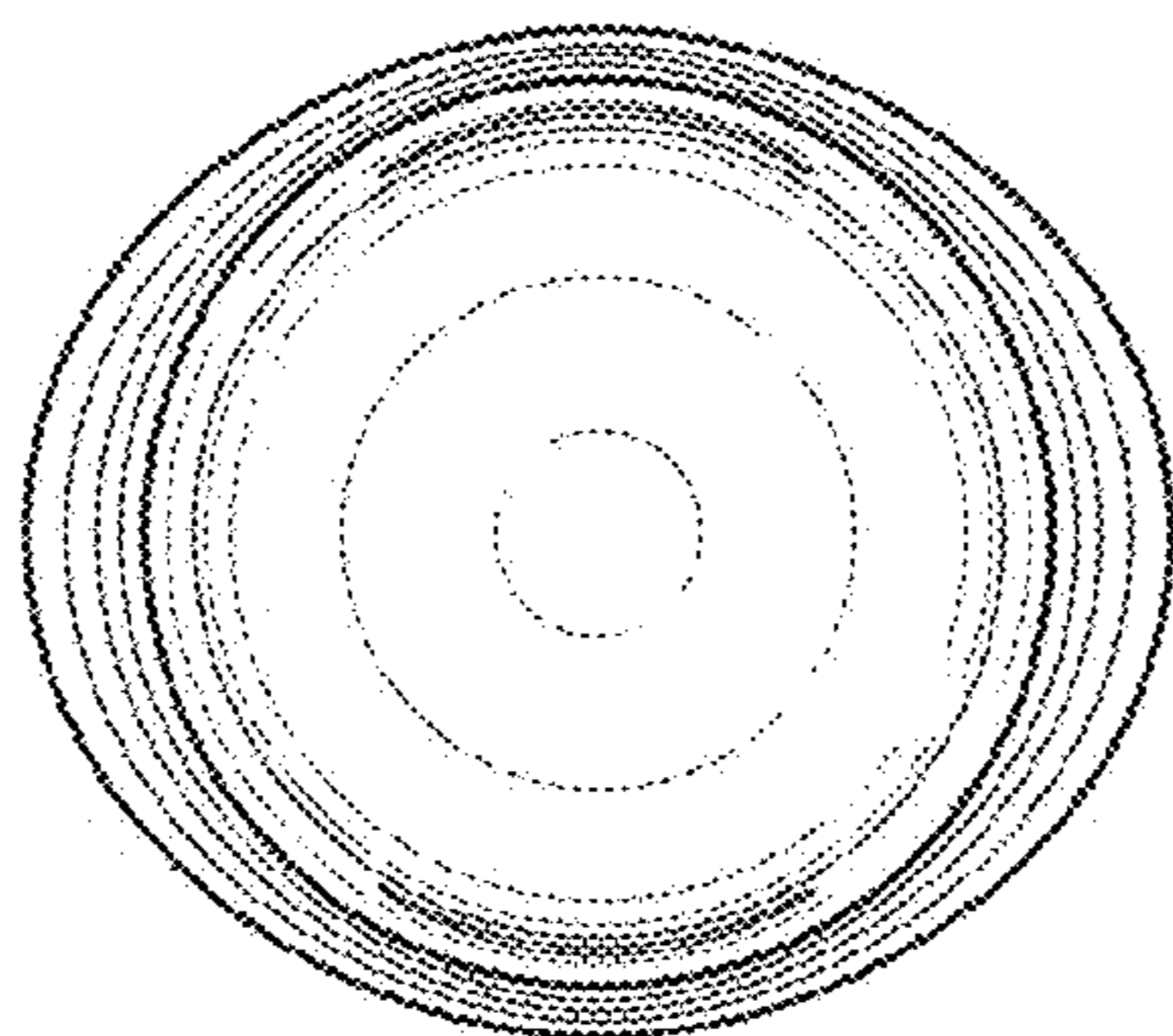
**FIG. 4**



**FIG. 5**



**FIG. 6**



**FIG. 7**