



US00D758568S

(12) **United States Design Patent**
Wohlfahrt et al.

(10) **Patent No.:** **US D758,568 S**

(45) **Date of Patent:** **** Jun. 7, 2016**

(54) **AUTOINJECTOR HOUSING**

(71) Applicant: **Sanofi-Aventis Deutschland GmbH**,
Frankfurt (DE)

(72) Inventors: **Tobias Wohlfahrt**, Munich (DE);
Christian Rogge, Munich (DE)

(73) Assignee: **Sanofi-Aventis Deutschland GMBH**,
Frankfurt am Main (DE)

(**) Term: **14 Years**

(21) Appl. No.: **29/520,135**

(22) Filed: **Mar. 11, 2015**

(30) **Foreign Application Priority Data**

Jan. 7, 2015 (EM) 002609784-0008

Jan. 7, 2015 (EM) 1002609784-0011

(51) **LOC (10) Cl.** **24-02**

(52) **U.S. Cl.**
USPC **D24/113**

(58) **Field of Classification Search**
USPC D24/112-114, 108, 133, 130, 127, 186;
606/181, 185; 604/264, 272, 187, 181,
604/184, 227

CPC A61M 5/178; A61M 3/00; A61M 5/20;
A61M 5/31; A61M 5/3146; A61M 5/3129;
A61M 5/3148; A61M 5/315

See application file for complete search history.

(56) **References Cited**

U.S. PATENT DOCUMENTS

D484,977 S * 1/2004 Ryan D24/133
D627,061 S * 11/2010 Van der Stappen D24/113
8,298,194 B2 * 10/2012 Moller A61M 5/24
604/181
D683,016 S * 5/2013 Mirza D24/112
D687,543 S 8/2013 Pala
D696,773 S * 12/2013 Schneider D24/113
D696,774 S * 12/2013 Guarraia D24/113

D696,775 S * 12/2013 Guarraia D24/113
D697,205 S * 1/2014 Schneider D24/113
8,740,860 B2 * 6/2014 Theucher A61M 5/24
604/207
D708,317 S * 7/2014 Schneider D24/113
D714,932 S * 10/2014 Hall D24/112
D728,782 S 5/2015 Dubuc
D732,161 S * 6/2015 Ohashi D24/113
D732,661 S 6/2015 Dubuc
D737,430 S * 8/2015 Wargner D24/112
D739,011 S 9/2015 Morrison, Jr.
D743,539 S 11/2015 Chung
D745,664 S 12/2015 Pocock

OTHER PUBLICATIONS

Examination Report in NZ Application No. 420861, dated Nov. 10, 2015, 2 pages.

Screenshots relating to "Auto Injector citations by SHL Group," publically visible from Dec. 30, 2014, 4 pages.

* cited by examiner

Primary Examiner — David Muller

(74) *Attorney, Agent, or Firm* — Fish & Richardson P.C.

(57) **CLAIM**

The ornamental design for an autoinjector housing, as shown and described.

DESCRIPTION

FIG. 1 is a front top right perspective view of an autoinjector housing showing our new design;

FIG. 2 is a front bottom left perspective view thereof;

FIG. 3 is a rear elevation view thereof, the front elevation view being a mirror image thereof;

FIG. 4 is a right side view thereof;

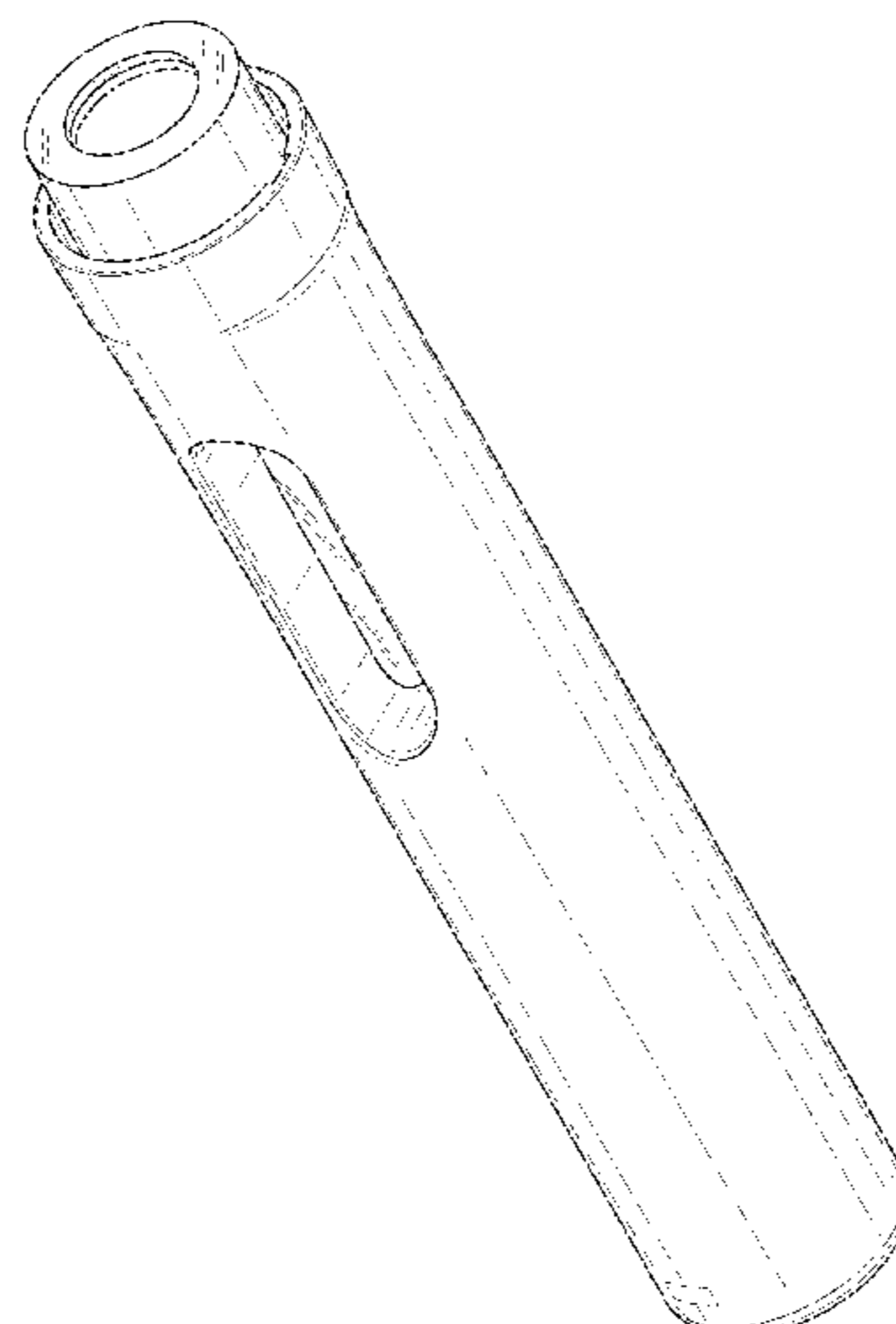
FIG. 5 is a left side view thereof;

FIG. 6 is a top plan view thereof; and,

FIG. 7 is a bottom plan view thereof.

The broken lines of even length shown in the drawings illustrate portions of the autoinjector housing that forms no part of the claimed design. The broken lines of uneven length define the boundary of the claimed design.

1 Claim, 5 Drawing Sheets



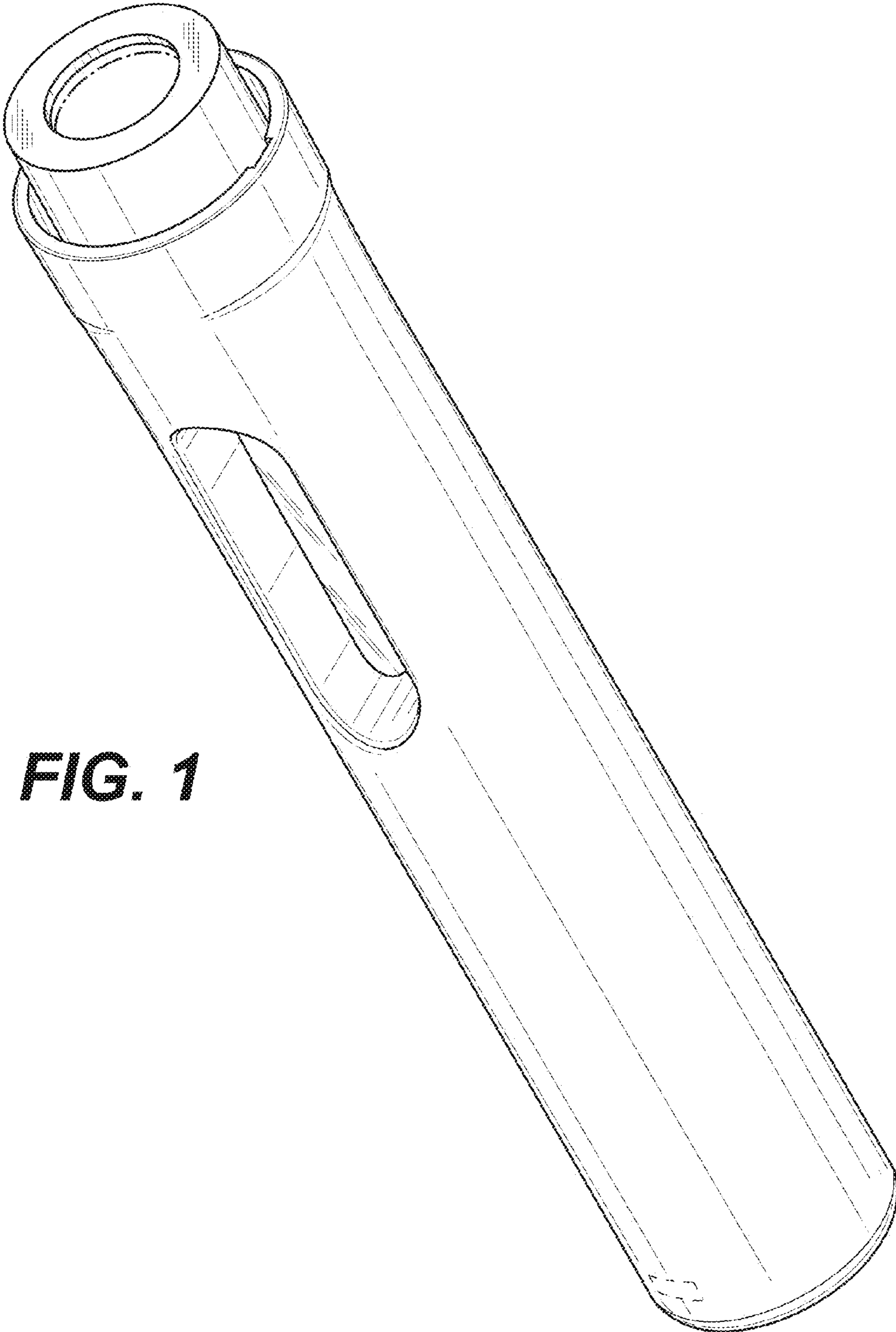


FIG. 1

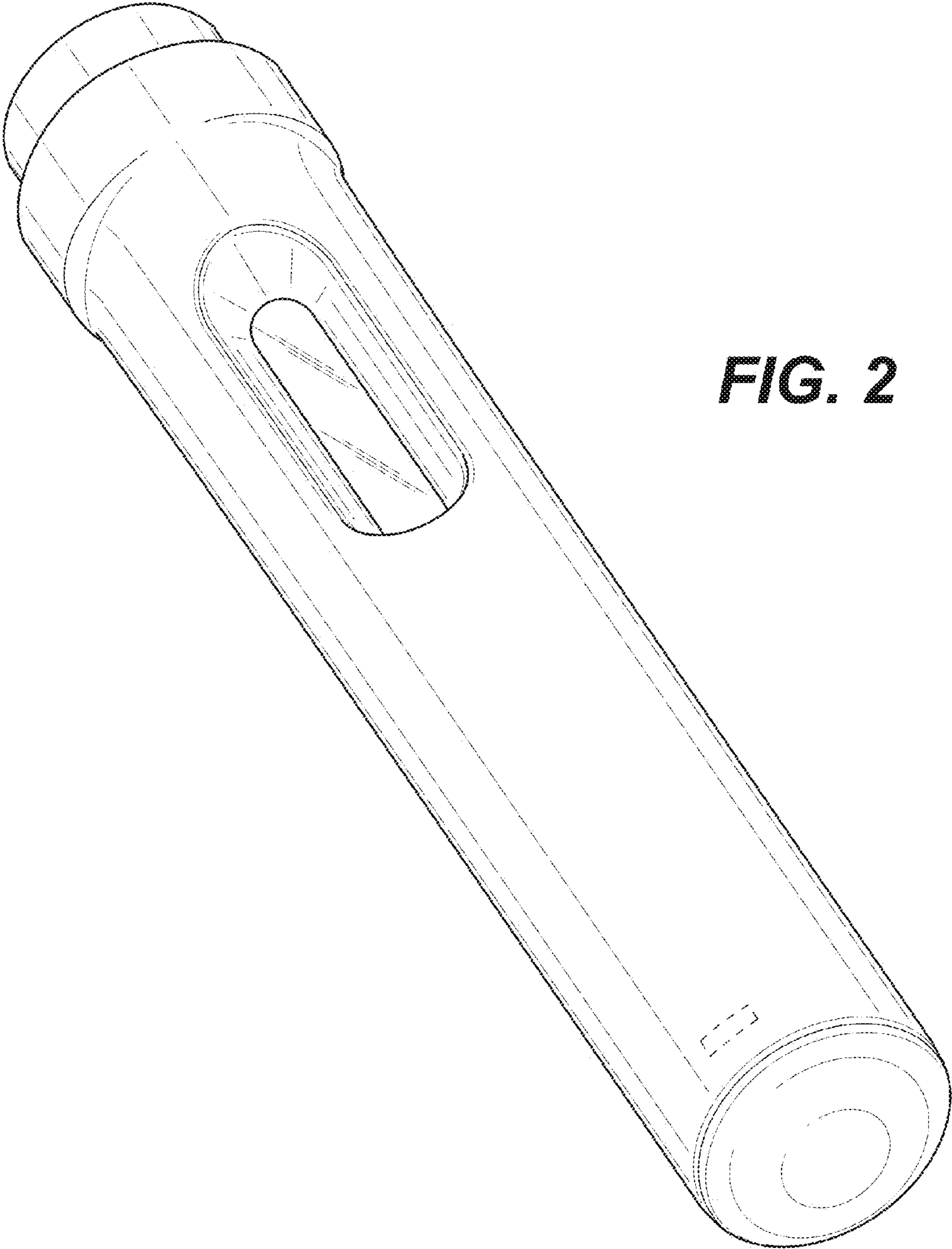


FIG. 2

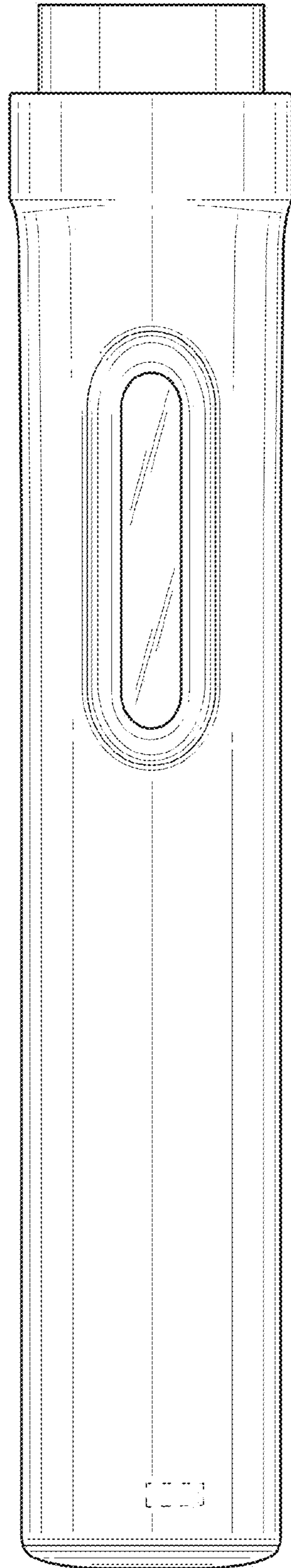


FIG. 3

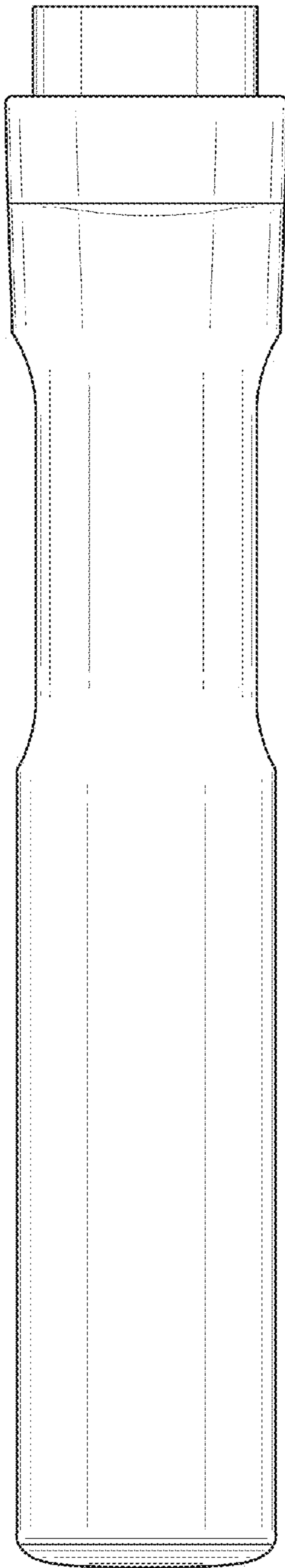


FIG. 4

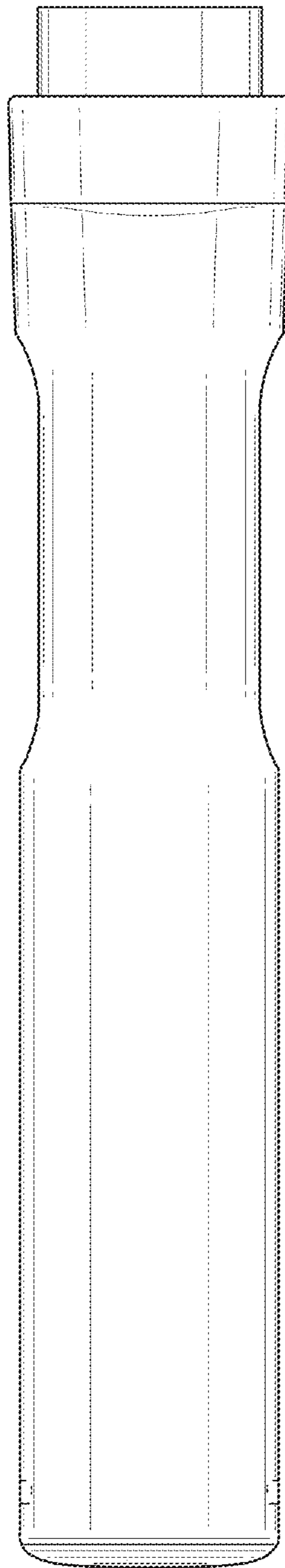


FIG. 5

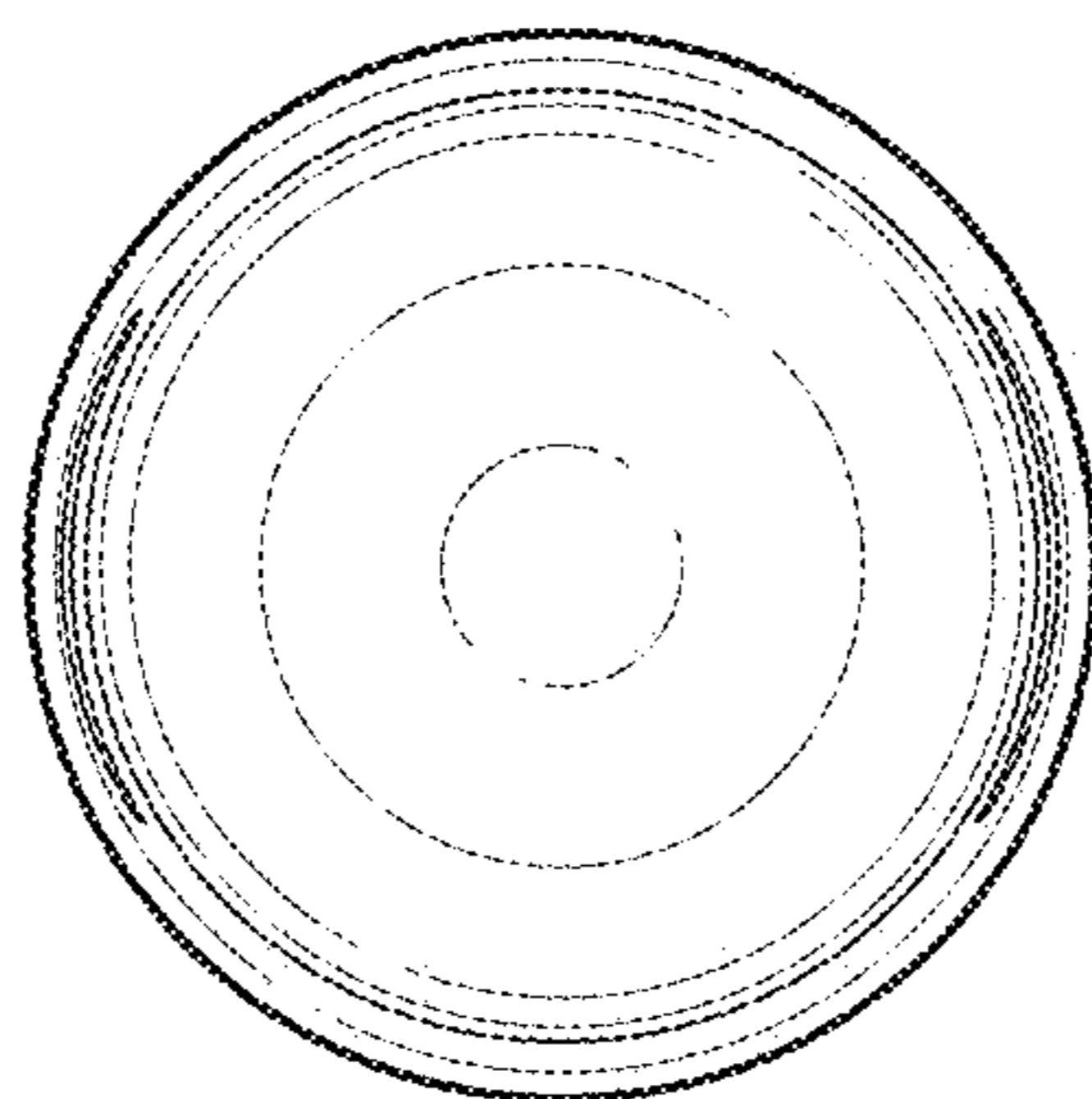


FIG. 6

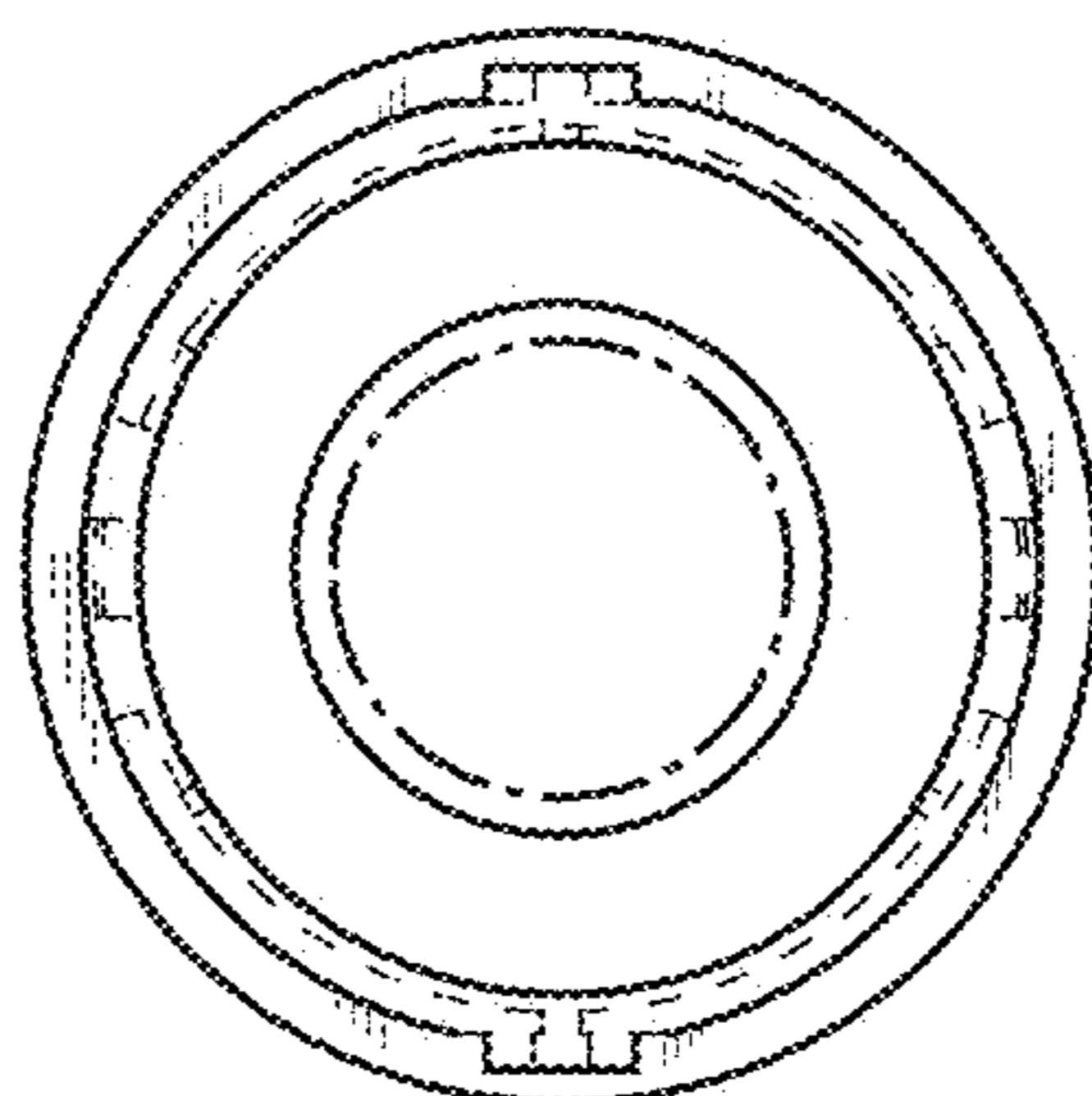


FIG. 7