



US00D758566S

(12) **United States Design Patent**  
**Chen**

(10) **Patent No.:** **US D758,566 S**  
(45) **Date of Patent:** **\*\* Jun. 7, 2016**

(54) **BLOOD SAMPLING PEN**

(71) Applicant: **Erik Chen**, Taipei (TW)

(72) Inventor: **Erik Chen**, Taipei (TW)

(\*\*) Term: **14 Years**

(21) Appl. No.: **29/485,127**

(22) Filed: **Mar. 17, 2014**

(51) **LOC (10) Cl.** ..... **24-02**

(52) **U.S. Cl.**  
USPC ..... **D24/113**

(58) **Field of Classification Search**  
USPC ..... D24/127-131, 112-114, 133, 186;  
606/181, 185; 604/264, 272, 115, 232,  
604/187, 158, 164.08, 192, 263, 163, 181,  
604/184, 198, 227; 600/101, 139, 143;  
128/200.24, 207.14, 207.15;  
D19/115-123, 177, 193  
CPC ..... A61M 5/3156; A61M 5/31591; A61M  
5/3155; A61M 5/3157; A61M 5/24; A61M  
5/31501; A61M 5/31551; A61M 5/31585;  
A61M 2005/2407; A61M 2005/2492; A61M  
2205/581; A61M 2205/582  
See application file for complete search history.

(56) **References Cited**

**U.S. PATENT DOCUMENTS**

5,921,966 A \* 7/1999 Bendek et al. .... 604/207  
D422,359 S \* 4/2000 Fitch et al. .... D24/137

D462,760 S \* 9/2002 Ahlgrim et al. .... D24/114  
D550,363 S \* 9/2007 Hannant et al. .... D24/186  
D584,771 S \* 1/2009 Gerules et al. .... D19/41  
D714,932 S \* 10/2014 Hall et al. .... D24/112  
8,926,644 B2 \* 1/2015 Schiff et al. .... 606/181  
8,992,476 B2 \* 3/2015 Shang et al. .... 604/131  
2008/0215001 A1 \* 9/2008 Cowe ..... 604/110  
2013/0236872 A1 \* 9/2013 Laurusonis et al. .... 434/262  
2014/0121691 A1 \* 5/2014 Hudson et al. .... 606/173  
2014/0128840 A1 \* 5/2014 Rao et al. .... 604/506  
2015/0011949 A1 \* 1/2015 Soerensen ..... 604/235

\* cited by examiner

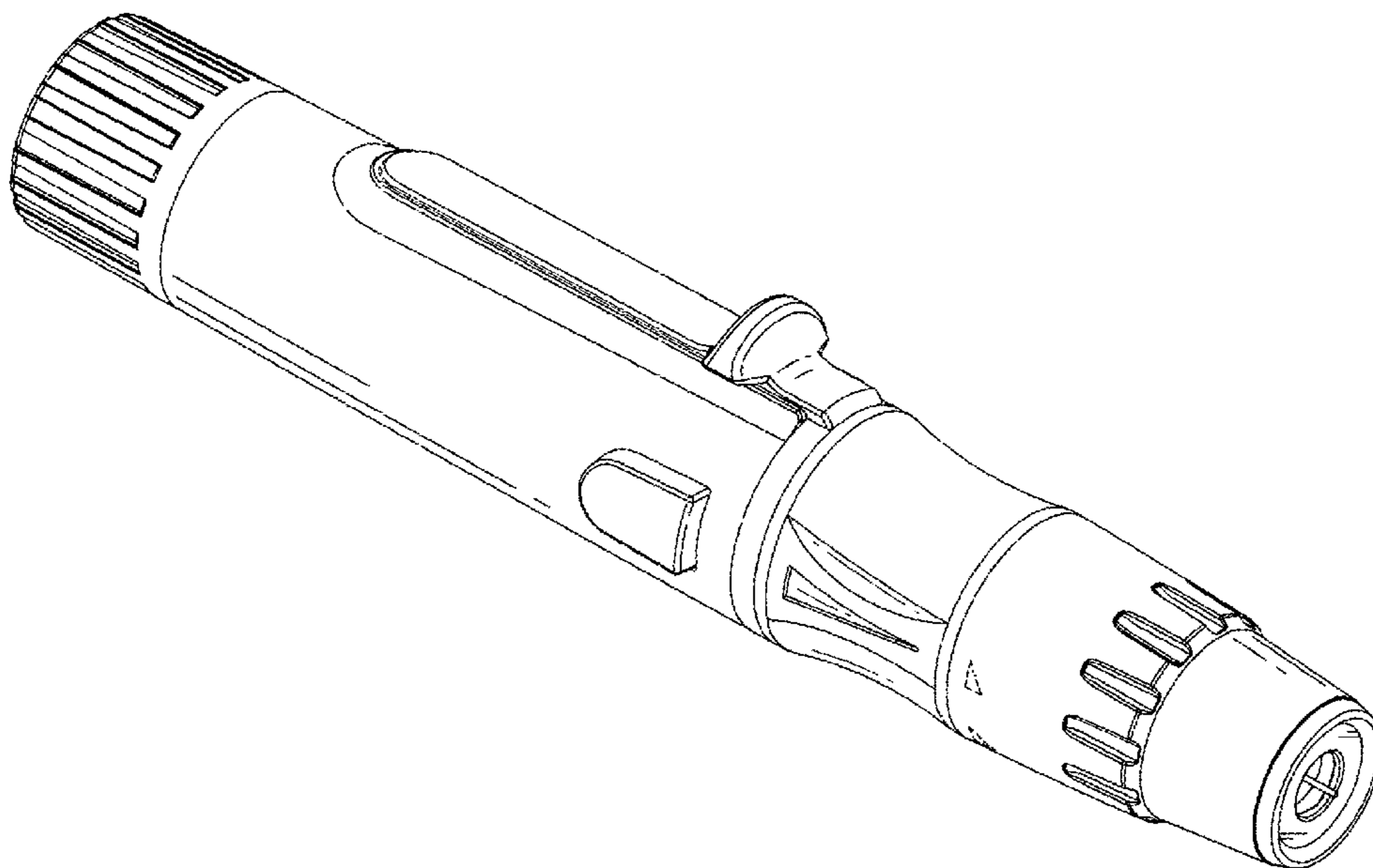
*Primary Examiner* — David Muller  
*Assistant Examiner* — Nathan Johnston

(57) **CLAIM**  
The ornamental design for blood sampling pen, as show and described.

**DESCRIPTION**

FIG. 1 is a perspective view of blood sampling pen showing my new design;  
FIG. 2 is a front elevation view thereof;  
FIG. 3 is a rear elevation view thereof;  
FIG. 4 is an enlarged left side elevation view thereof;  
FIG. 5 is an enlarged right side elevation view thereof;  
FIG. 6 is a top plan view thereof; and,  
FIG. 7 is a bottom plan view thereof.  
The broken line portion of the figure drawings is included to show unclaimed subject matter only and forms no part of the claimed design.

**1 Claim, 4 Drawing Sheets**



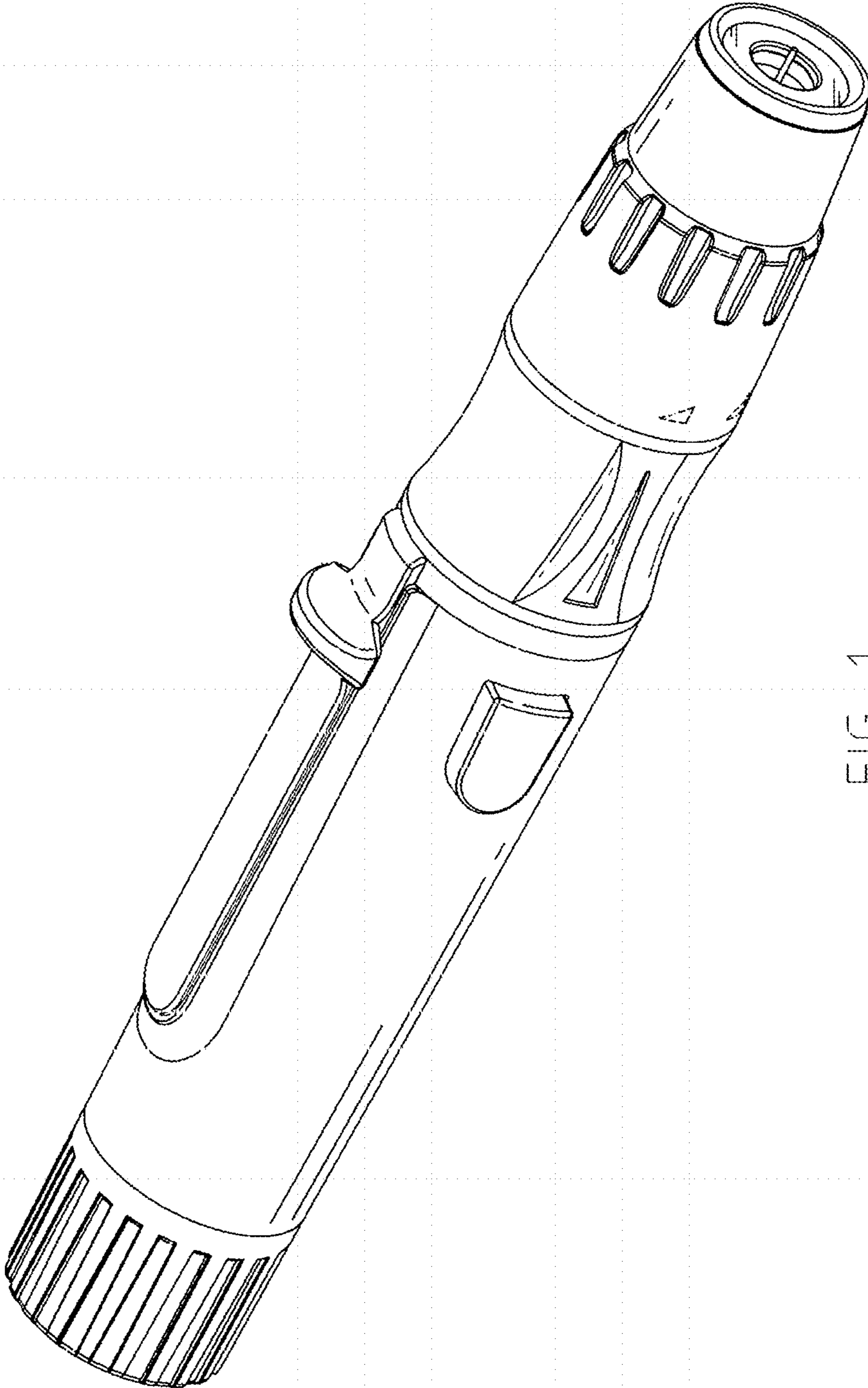


FIG 1

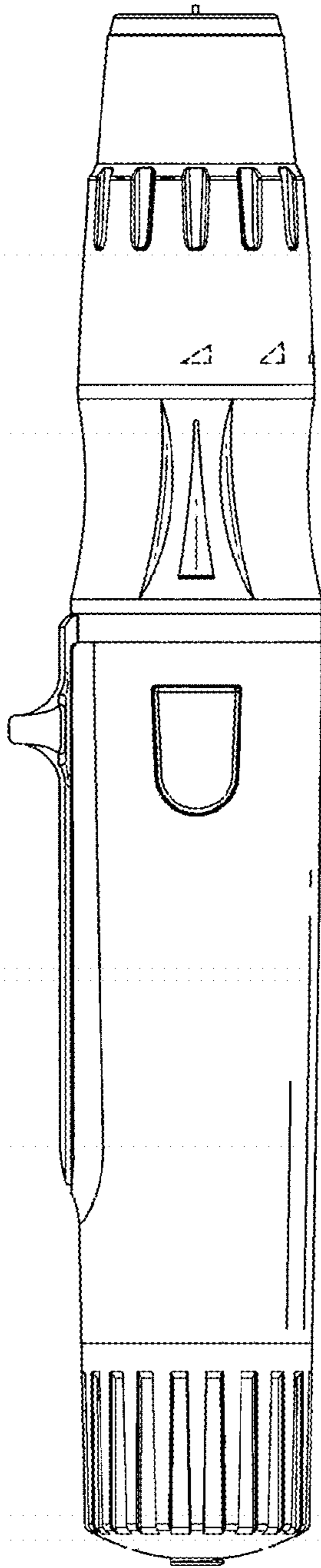


FIG. 2

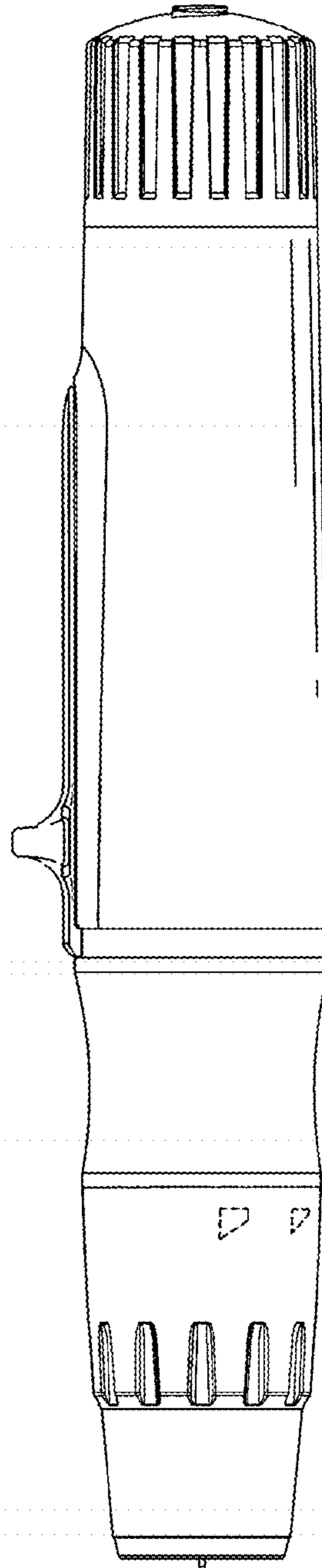


FIG. 3

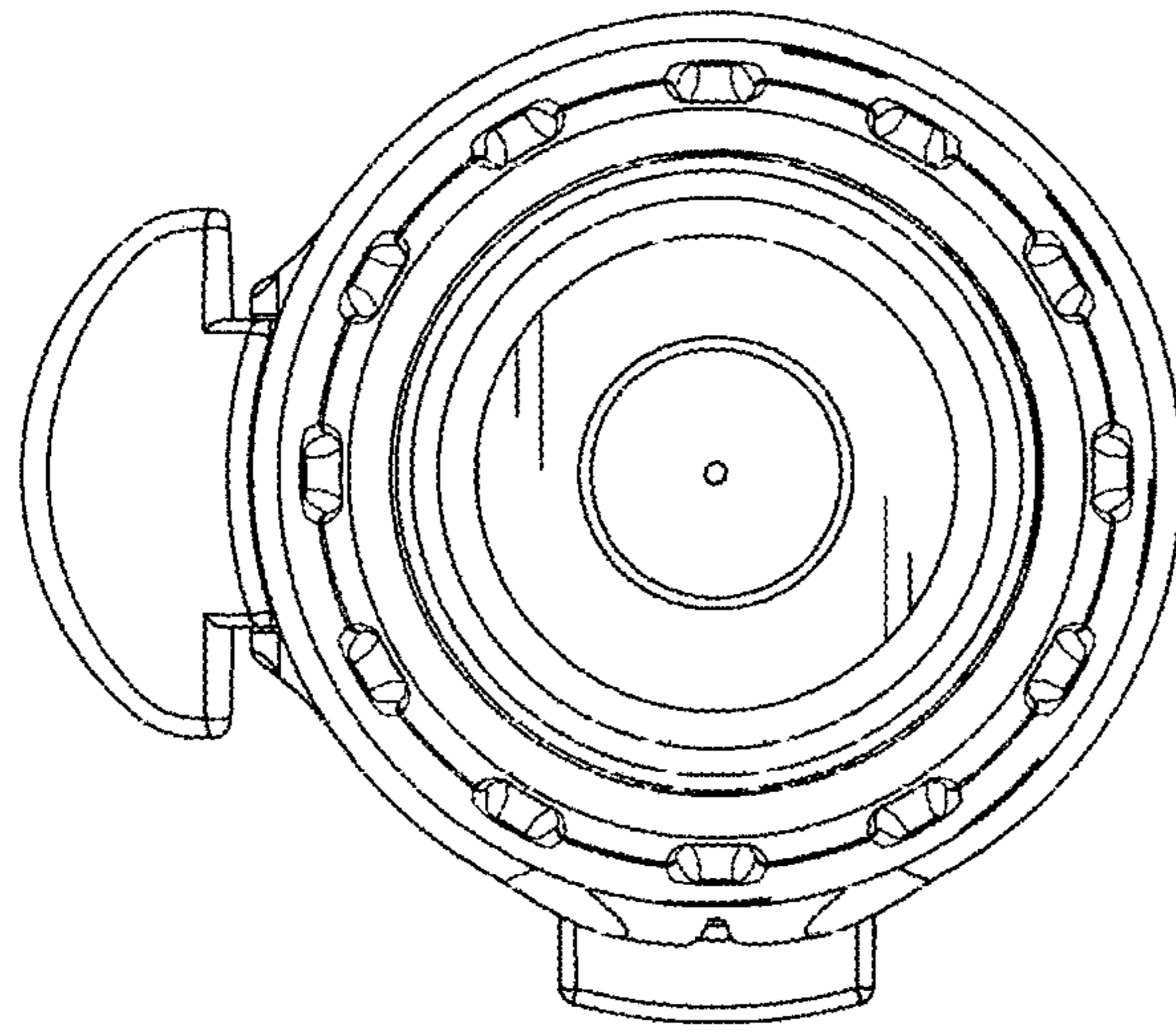


FIG. 5

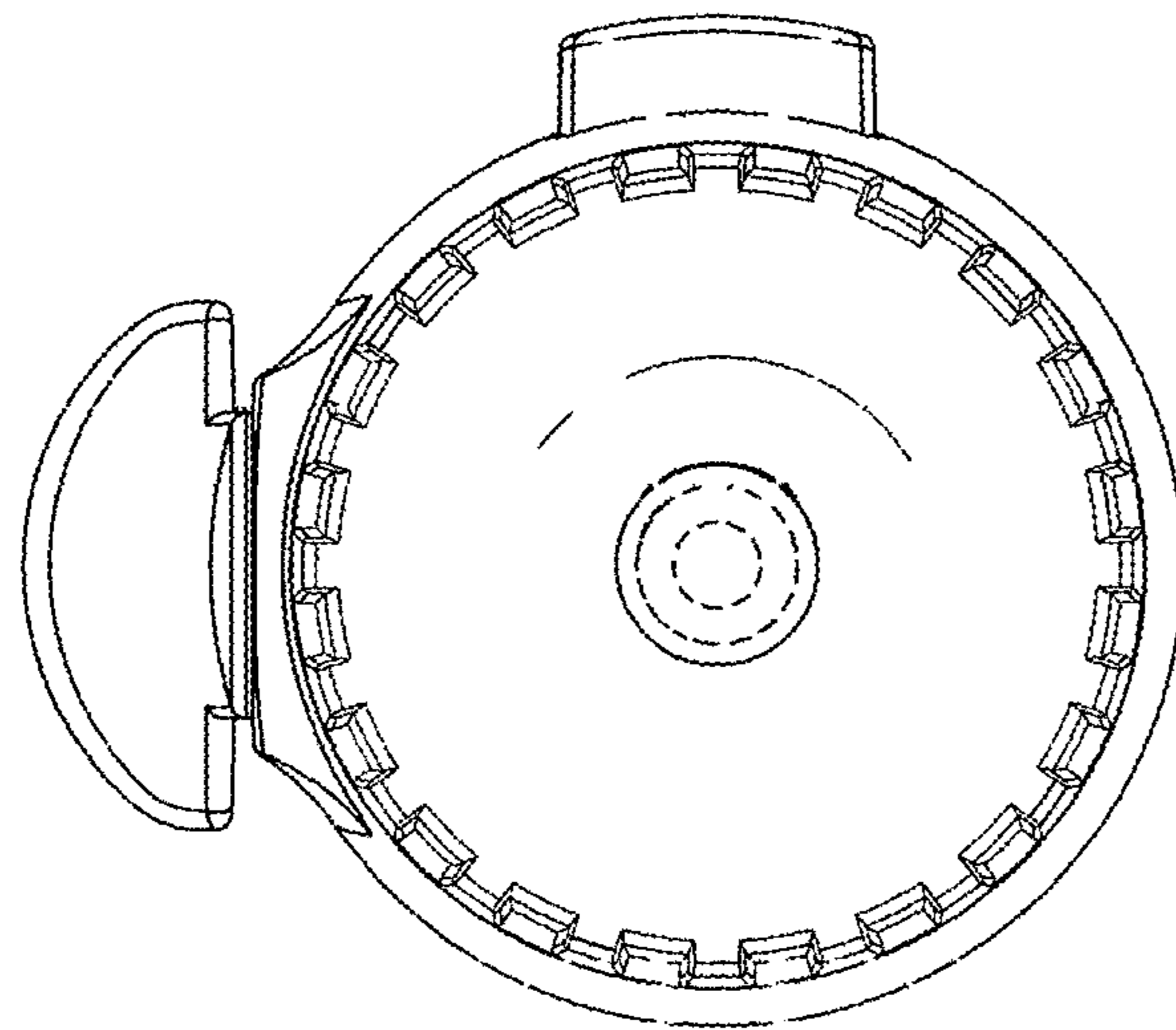


FIG. 4

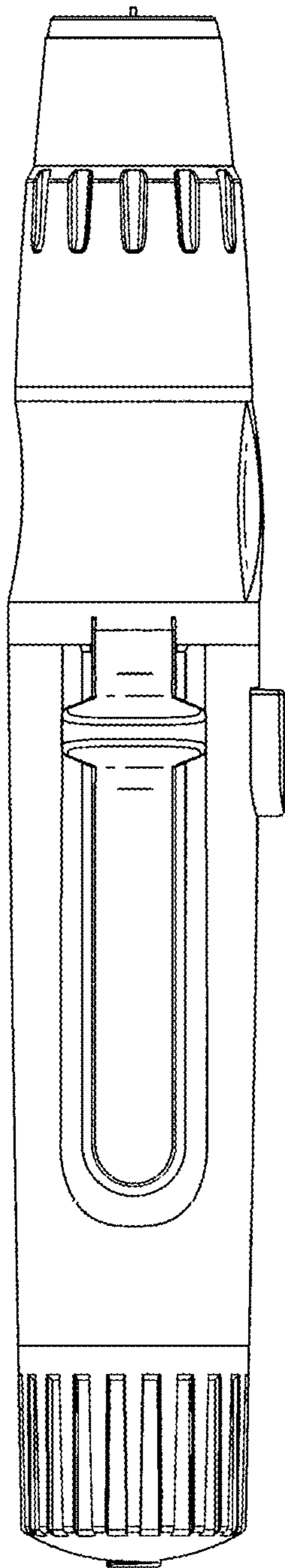


FIG. 6

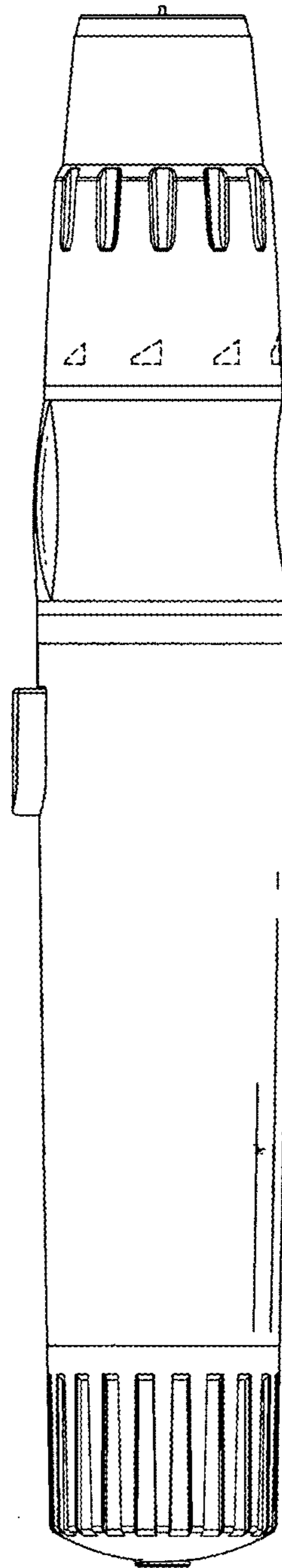


FIG. 7