



US00D758565S

(12) **United States Design Patent**
Efinger et al.

(10) **Patent No.:** **US D758,565 S**

(45) **Date of Patent:** **** Jun. 7, 2016**

(54) **MEDICAL NAVIGATION INSTRUMENT**

(56) **References Cited**

(71) Applicant: **KARL STORZ GmbH & Co. KG**,
Tuttlingen (DE)

U.S. PATENT DOCUMENTS

(72) Inventors: **Andreas Efinger**, Rietheim (DE);
Mathias Stengele, Steisslingen (DE);
Andreas Halbleib, Constance (DE);
Dejan Ilic, Constance (DE)

D344,131 S *	2/1994	Hubbell	D24/107
D419,238 S *	1/2000	Maissami	D24/119
D438,954 S *	3/2001	Orsing	D24/112
D450,382 S *	11/2001	Nestenborg	D24/112
D605,759 S *	12/2009	Cuevas	D24/133
D642,680 S *	8/2011	Brucker	D24/133
D669,981 S *	10/2012	Ruiz, Sr.	D24/133
D685,466 S *	7/2013	Moshinsky	D24/130
D687,542 S *	8/2013	Esposito	D24/112
D691,274 S *	10/2013	Buckels	D24/133
D708,741 S *	7/2014	Harrison	D24/133
D718,440 S *	11/2014	Besse	D24/133
D724,725 S *	3/2015	Chang	D24/133

(73) Assignee: **KARL STORZ GmbH & Co. KG**,
Tuttlingen (DE)

(**) Term: **14 Years**

* cited by examiner

(21) Appl. No.: **29/506,207**

Primary Examiner — David Muller

(22) Filed: **Oct. 14, 2014**

(74) *Attorney, Agent, or Firm* — Muncy, Geissler, Olds & Lowe, P.C.

(30) **Foreign Application Priority Data**

Apr. 11, 2014 (EM) 002445619-0001

(51) **LOC (10) Cl.** **24-02**

(57) **CLAIM**

The ornamental design for a medical navigation instrument, as shown and described.

(52) **U.S. Cl.**

USPC **D24/112; D24/137**

DESCRIPTION

(58) **Field of Classification Search**

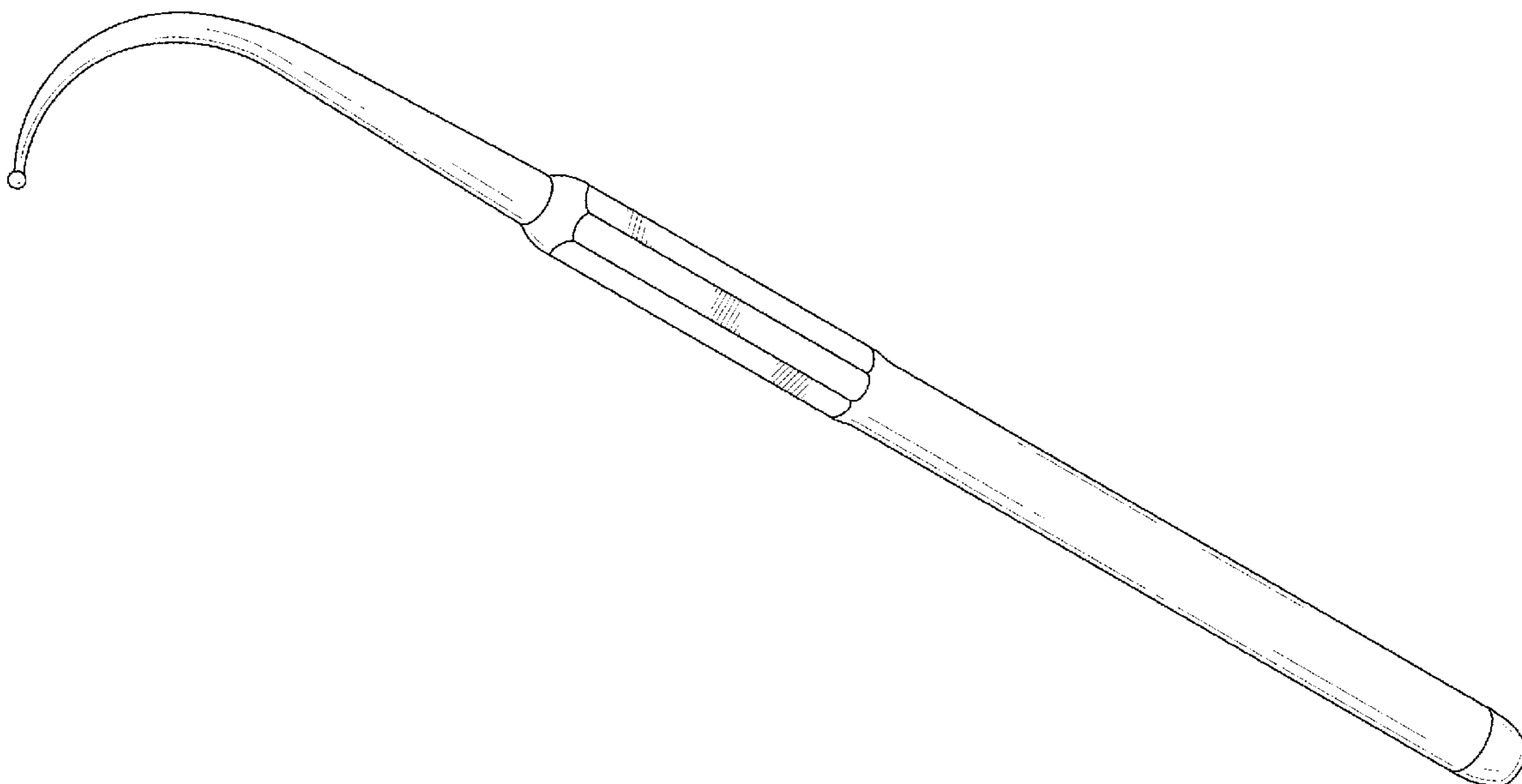
USPC D24/112–114, 108, 130, 127, 133, 186;
606/181, 185; 604/264, 523–528, 272,
604/164.01–164.11, 187, 93.01; 600/101,
600/139, 143

CPC . A61M 25/065; A61M 5/42; A61M 25/0612;
A61M 25/00; A61M 39/00; A61M 27/00;
A61M 25/0043; A61M 25/0067; A61M
25/0097; A61F 2/958

FIG. 1 is a front perspective view of a medical navigation instrument according to the present invention. FIG. 2 is a left side elevation view of thereof; FIG. 3 is a right side elevation view thereof; FIG. 4 is a bottom plan view thereof; FIG. 5 is a top plan view thereof; FIG. 6 is a front elevation view thereof; and, FIG. 7 is a rear elevation view thereof.

See application file for complete search history.

1 Claim, 6 Drawing Sheets



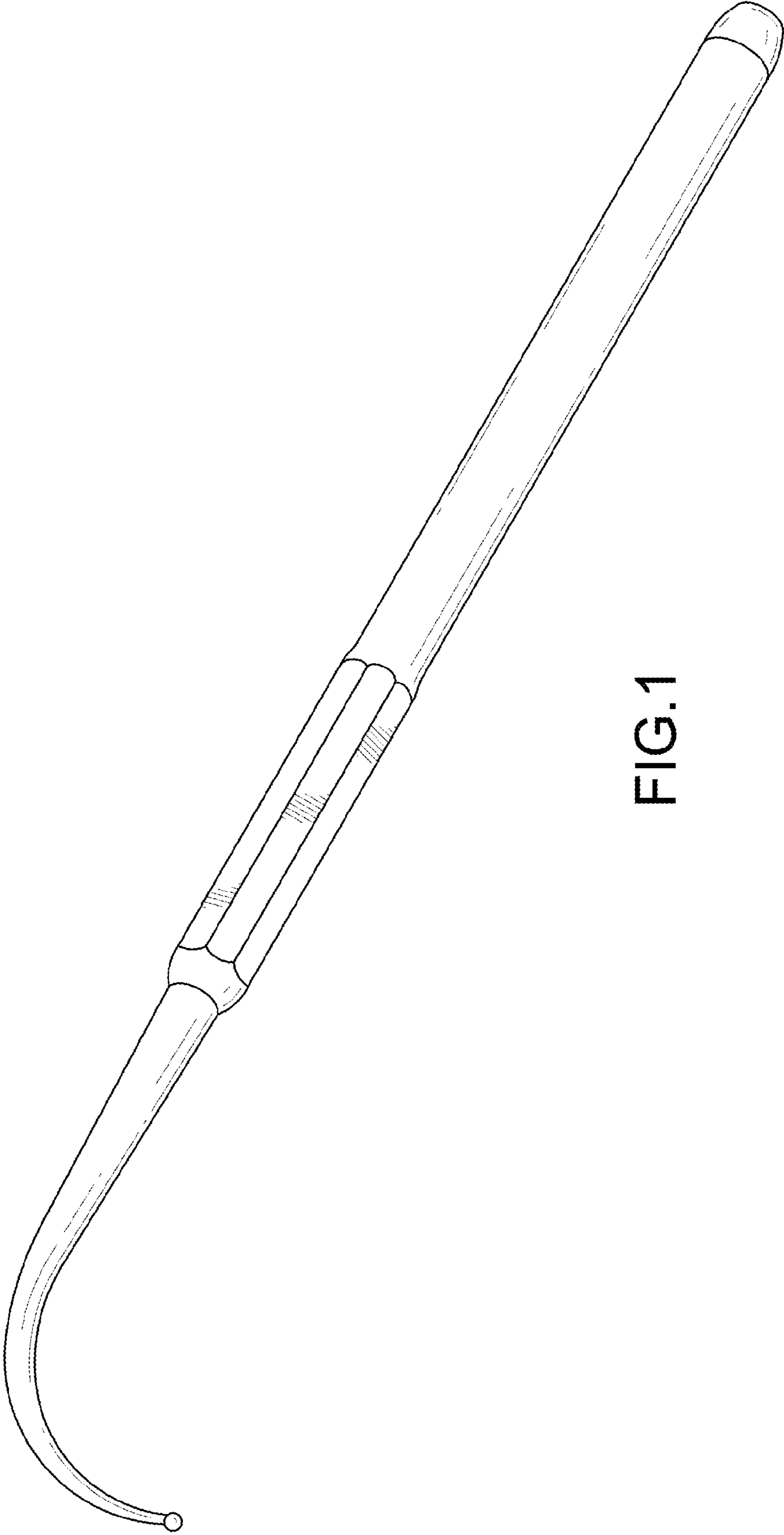


FIG.1

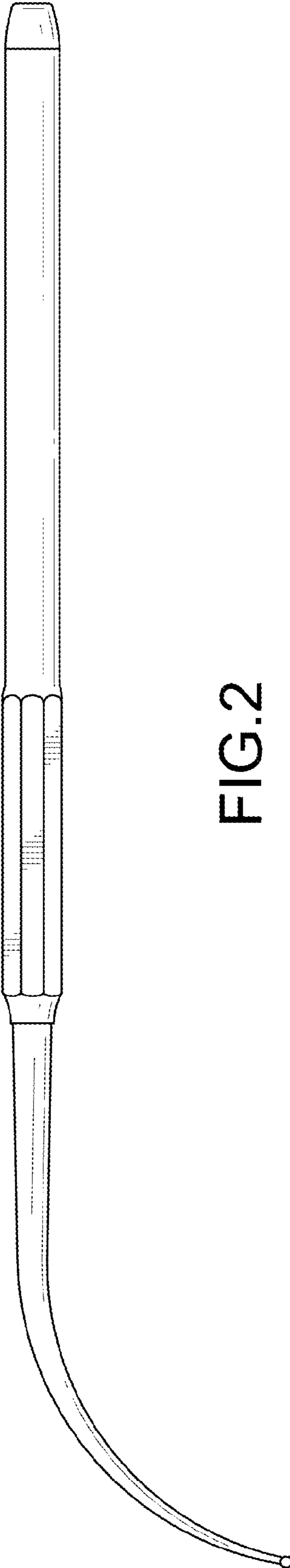


FIG.2

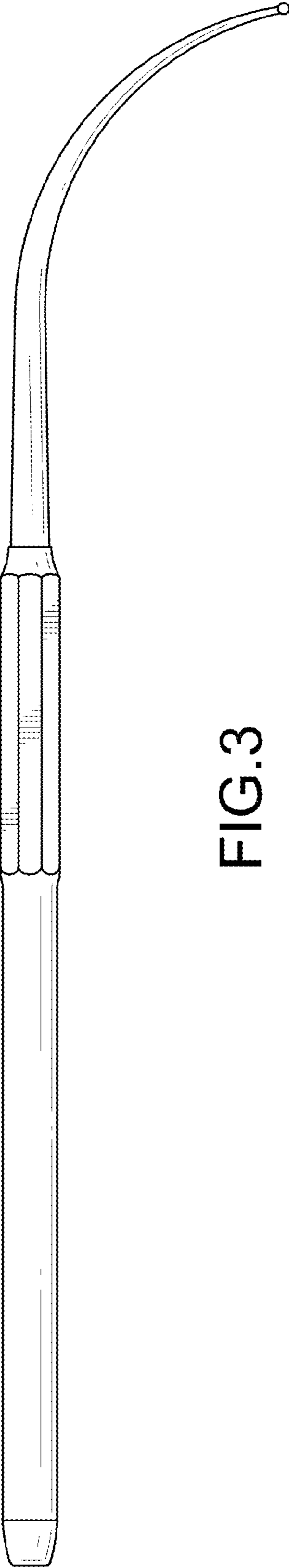


FIG.3

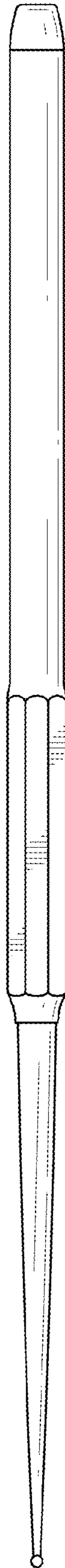


FIG.4

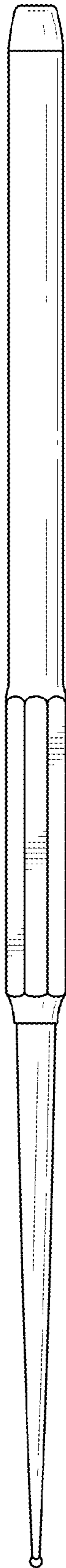


FIG.5

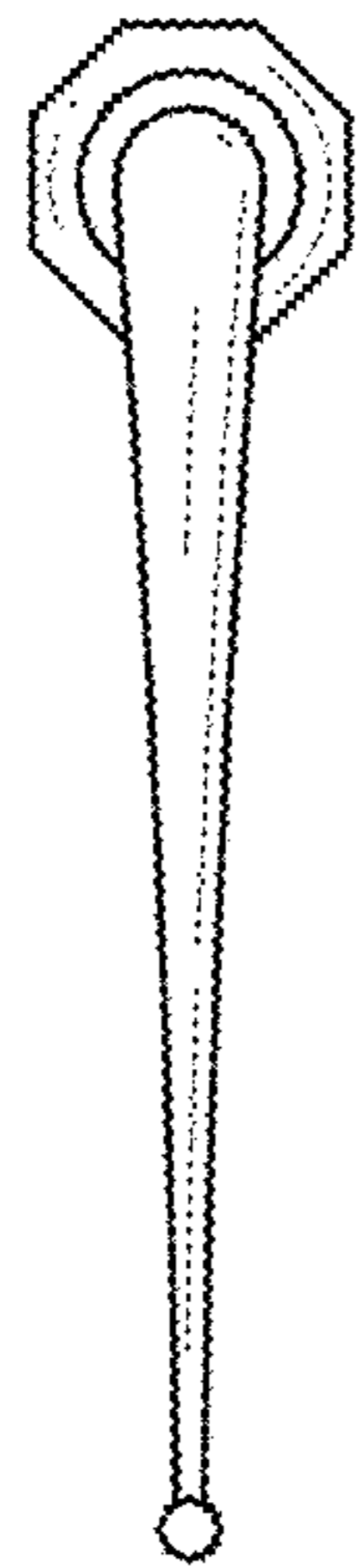


FIG. 6

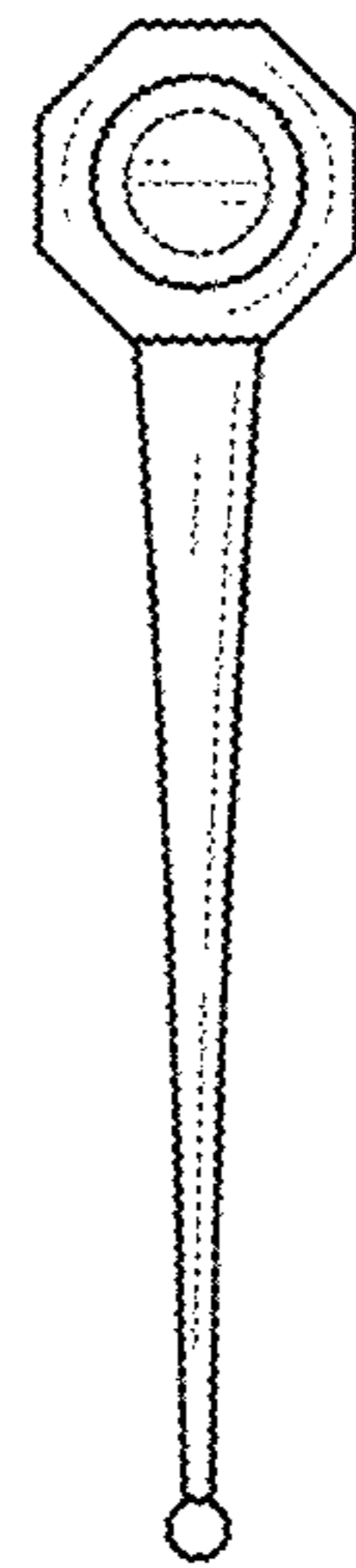


FIG. 7