



US00D758564S

(12) **United States Design Patent**
Eves et al.

(10) **Patent No.:** **US D758,564 S**
(45) **Date of Patent:** **** Jun. 7, 2016**

(54) **CUSHION FOR PATIENT INTERFACE**

(71) Applicant: **ResMed Limited**, Bella Vista, New South Wales (AU)

(72) Inventors: **Matthew Eves**, Sydney (AU); **Memduh Guney**, Sydney (AU)

(73) Assignee: **ResMed Limited**, Bella Vista (AU)

(**) Term: **15 Years**

(21) Appl. No.: **29/535,334**

(22) Filed: **Aug. 5, 2015**

Related U.S. Application Data

(62) Division of application No. 29/452,151, filed on Apr. 12, 2013.

(51) **LOC (10) Cl.** **29-02**

(52) **U.S. Cl.**

USPC **D24/110.4**

(58) **Field of Classification Search**

USPC D24/110-110.6, 127

CPC A61M 16/0622; A61M 16/0616;

A61M 16/0816; A61M 16/08; A61M 16/0633;

A61M 16/06; A61M 16/0666; A61M

2210/0618; A61M 16/0683

See application file for complete search history.

(56) **References Cited**

U.S. PATENT DOCUMENTS

D485,905 S	1/2004	Moore et al.	
6,907,882 B2	6/2005	Ging et al.	
D653,748 S	2/2012	Henry et al.	
D656,231 S	3/2012	Henry et al.	
D683,446 S	5/2013	Eves et al.	
D692,554 S	10/2013	Siew et al.	
D696,396 S	12/2013	Eves et al.	
D709,181 S	7/2014	Henry et al.	
D717,942 S	11/2014	Neff et al.	
9,095,673 B2 *	8/2015	Barlow A61M 16/06

2005/0199241 A1	9/2005	Ging et al.	
2006/0042629 A1	3/2006	Geist	
2010/0313891 A1 *	12/2010	Veliss A61M 16/06
			128/206.26
2011/0146685 A1	6/2011	Allan et al.	

(Continued)

OTHER PUBLICATIONS

Von Moger et al., U.S. Appl. No. 29/452,151, filed Apr. 12, 2013 (parent application).

Primary Examiner — Barbara Fox

Assistant Examiner — Lilyana Bekic

(74) *Attorney, Agent, or Firm* — Nixon & Vanderhye P.C.

(57) **CLAIM**

The ornamental design for a cushion for patient interface, as shown.

DESCRIPTION

FIG. 1 is a front perspective view of a cushion for patient interface according to a first embodiment of our new design;

FIG. 2 is a front view thereof;

FIG. 3 is a rear view thereof;

FIG. 4 is a top view thereof;

FIG. 5 is a bottom view thereof;

FIG. 6 is a right side view thereof;

FIG. 7 is a left side view thereof;

FIG. 8 is a rear perspective view thereof; and

FIG. 9 is a front perspective view of a cushion for patient interface according to a second embodiment of our new design;

FIG. 10 is a front view thereof;

FIG. 11 is a rear view thereof;

FIG. 12 is a top view thereof;

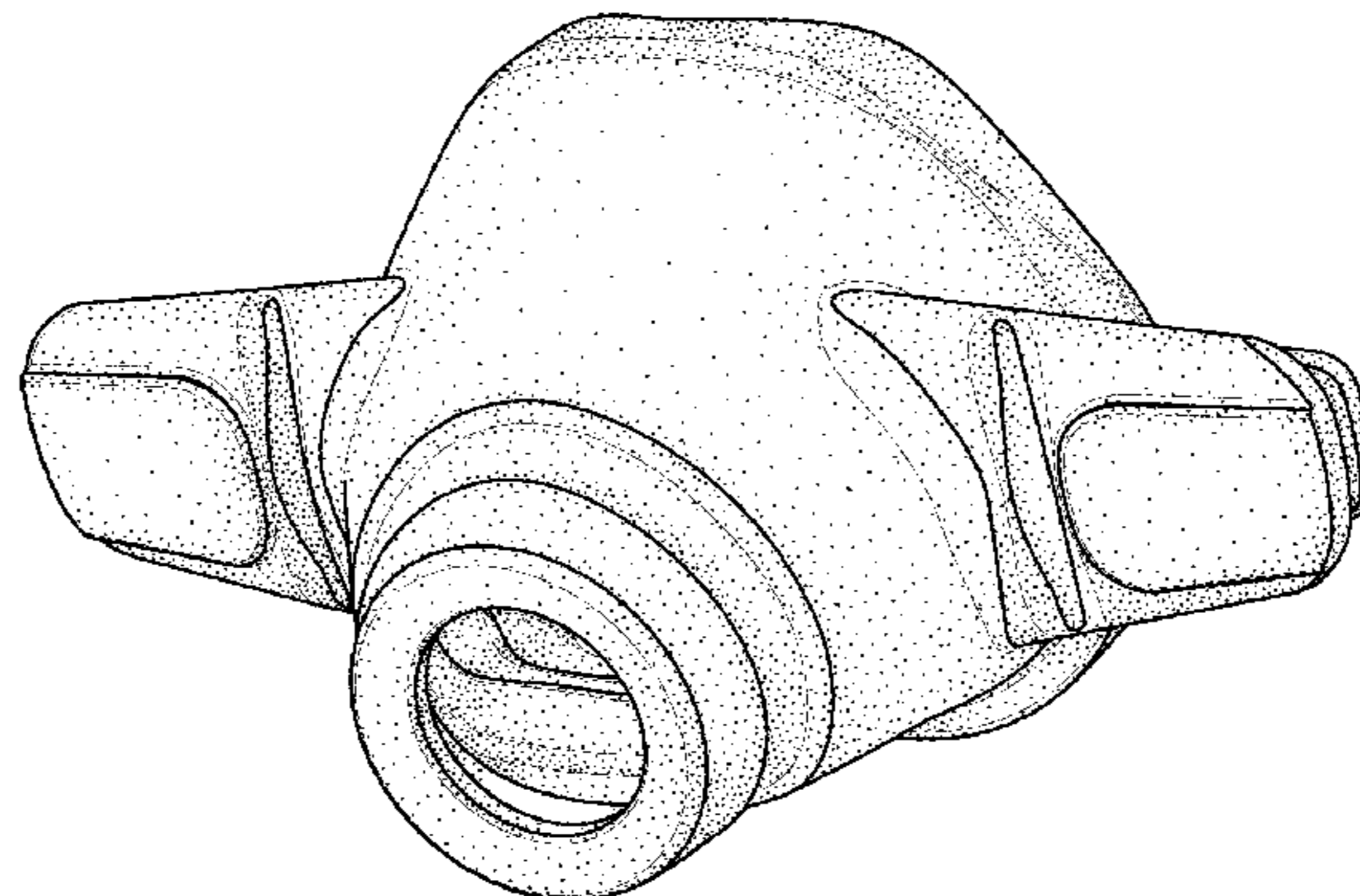
FIG. 13 is a bottom view thereof;

FIG. 14 is a right side view thereof;

FIG. 15 is a left side view thereof; and,

FIG. 16 is a rear perspective view thereof.

1 Claim, 16 Drawing Sheets



(56)

References Cited

U.S. PATENT DOCUMENTS

2012/0067349	A1 *	3/2012	Barlow	A61M 16/06	2013/0152937	A1	6/2013	Jablonski	
				128/205.25	2013/0152938	A1	6/2013	Jablonski	
					2013/0199537	A1 *	8/2013	Formica	A61M 16/06
									128/205.25
2012/0090622	A1	4/2012	Chang		2013/0220327	A1	8/2013	Barlow et al.	
2013/0008449	A1	1/2013	Busch et al.		2014/0283843	A1 *	9/2014	Eves	A61M 11/00
2013/0042871	A1	2/2013	Chang						128/206.24

* cited by examiner

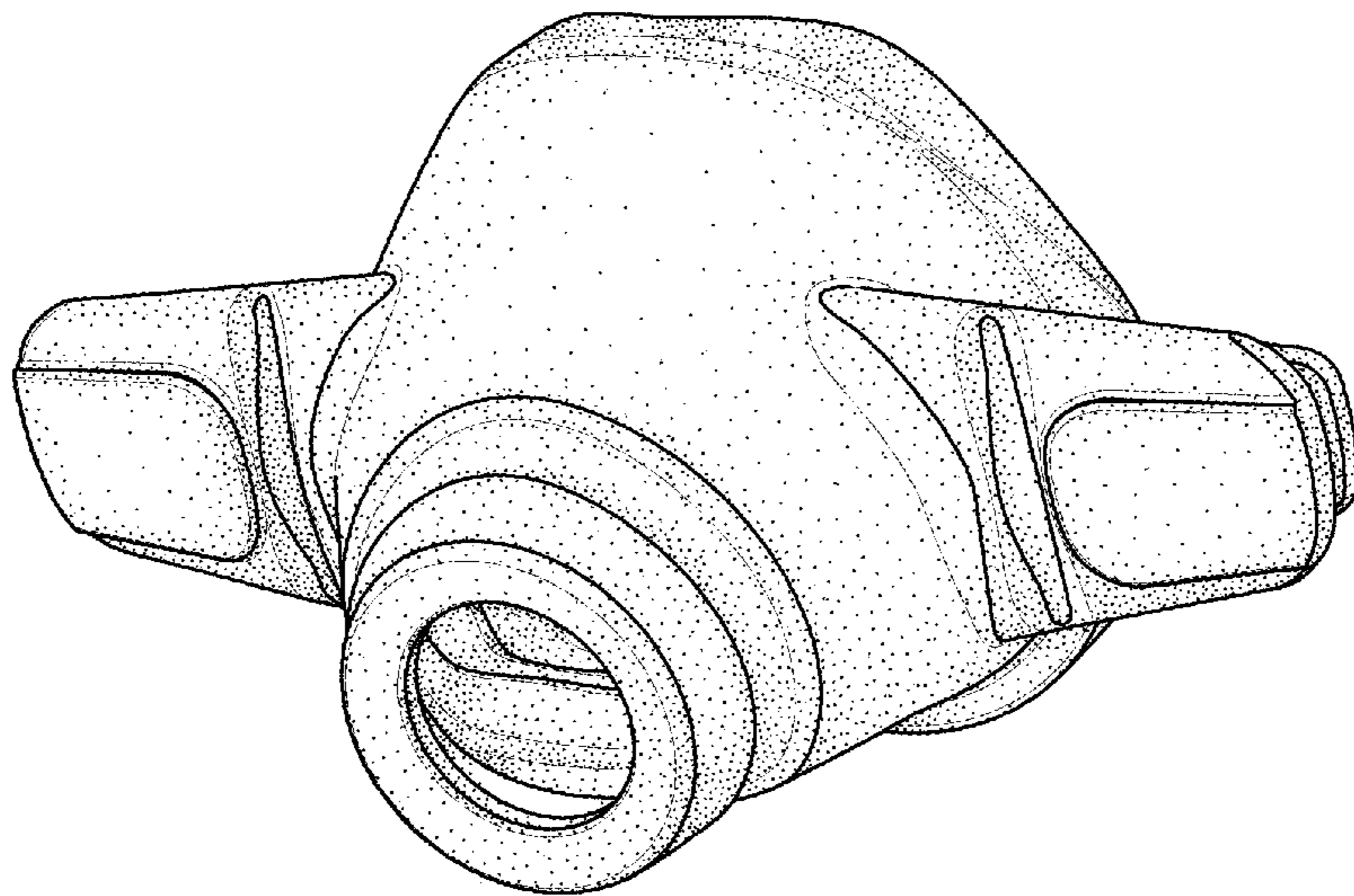


Fig. 1

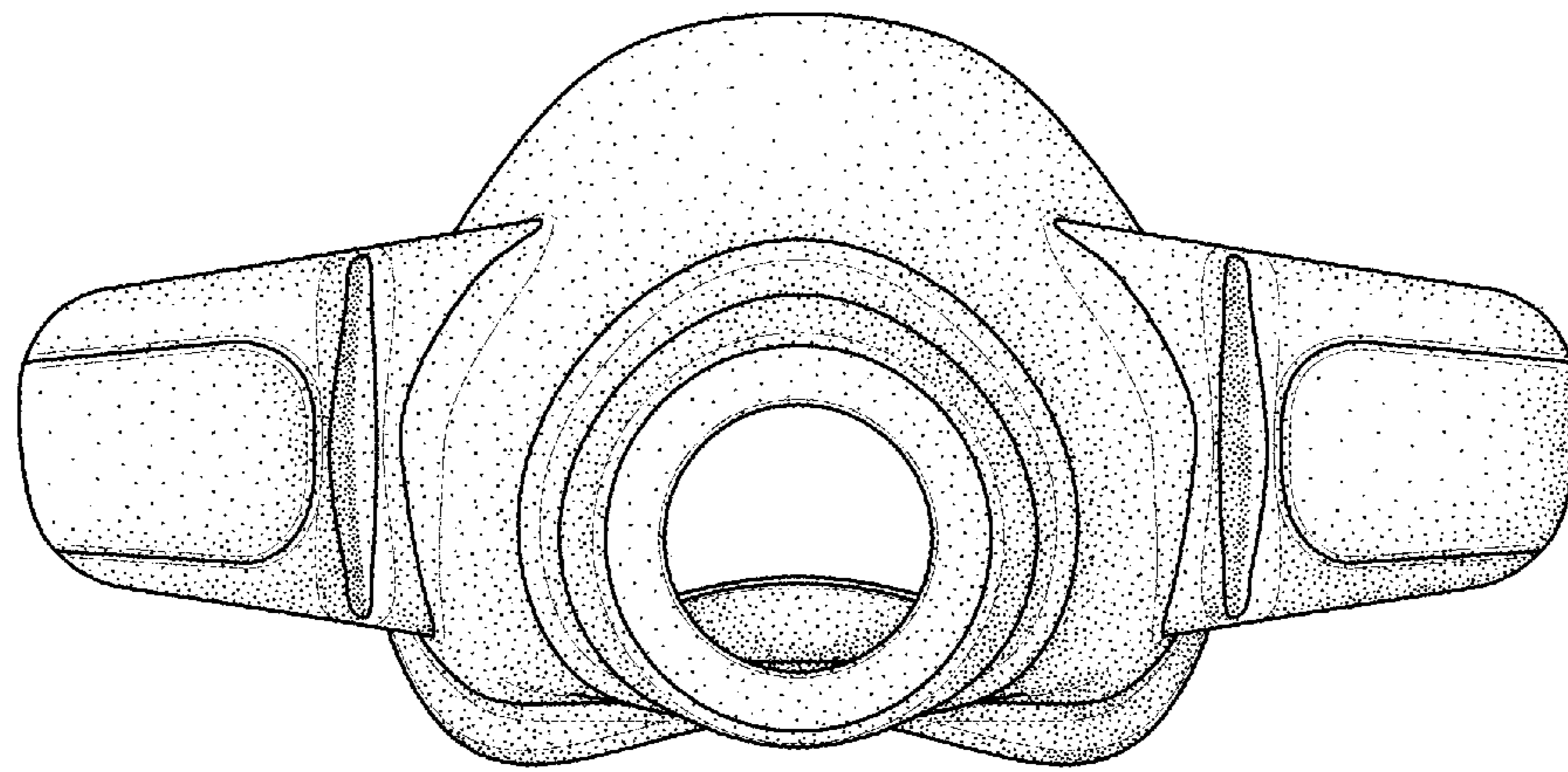


Fig. 2

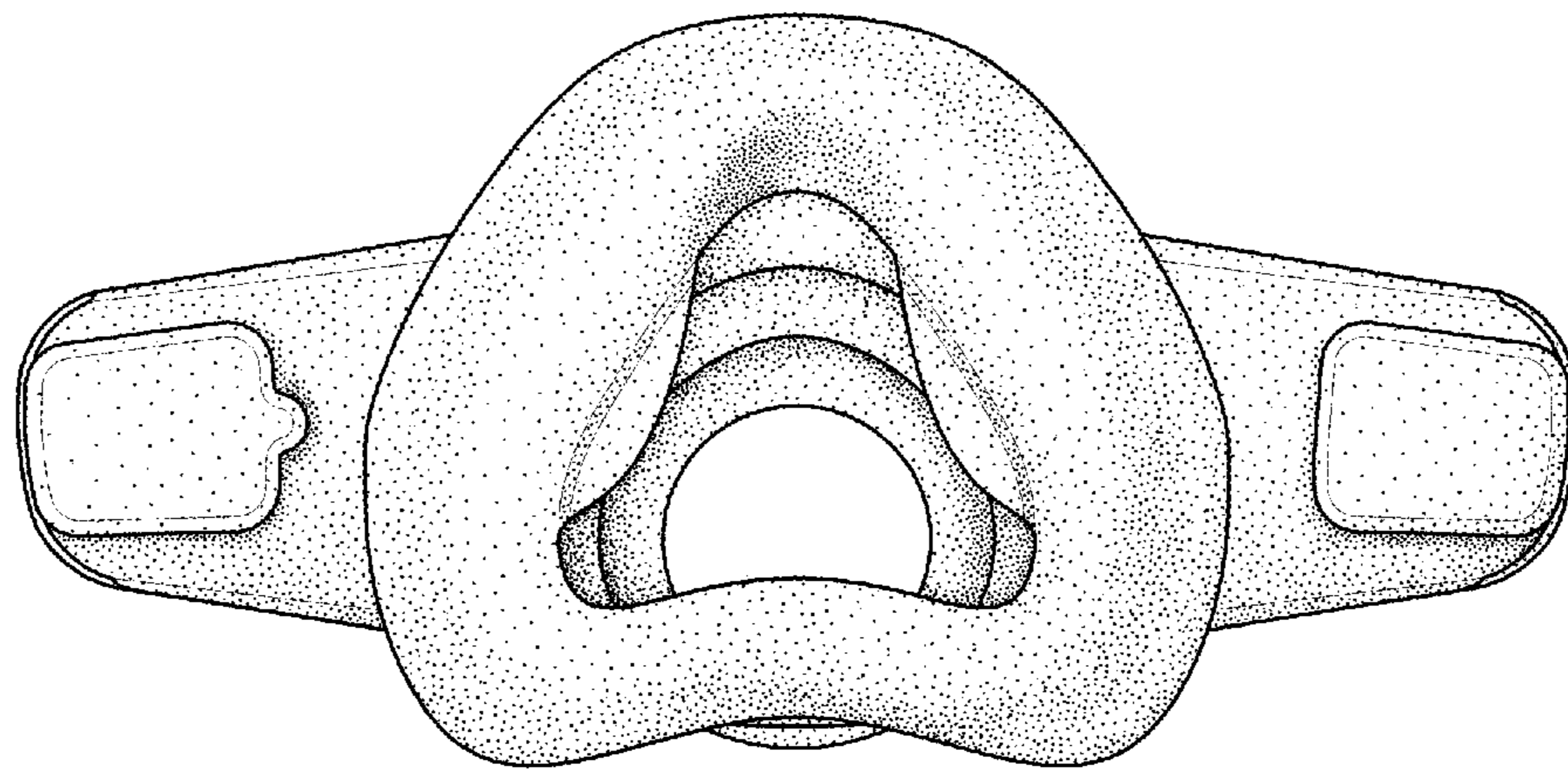


Fig. 3

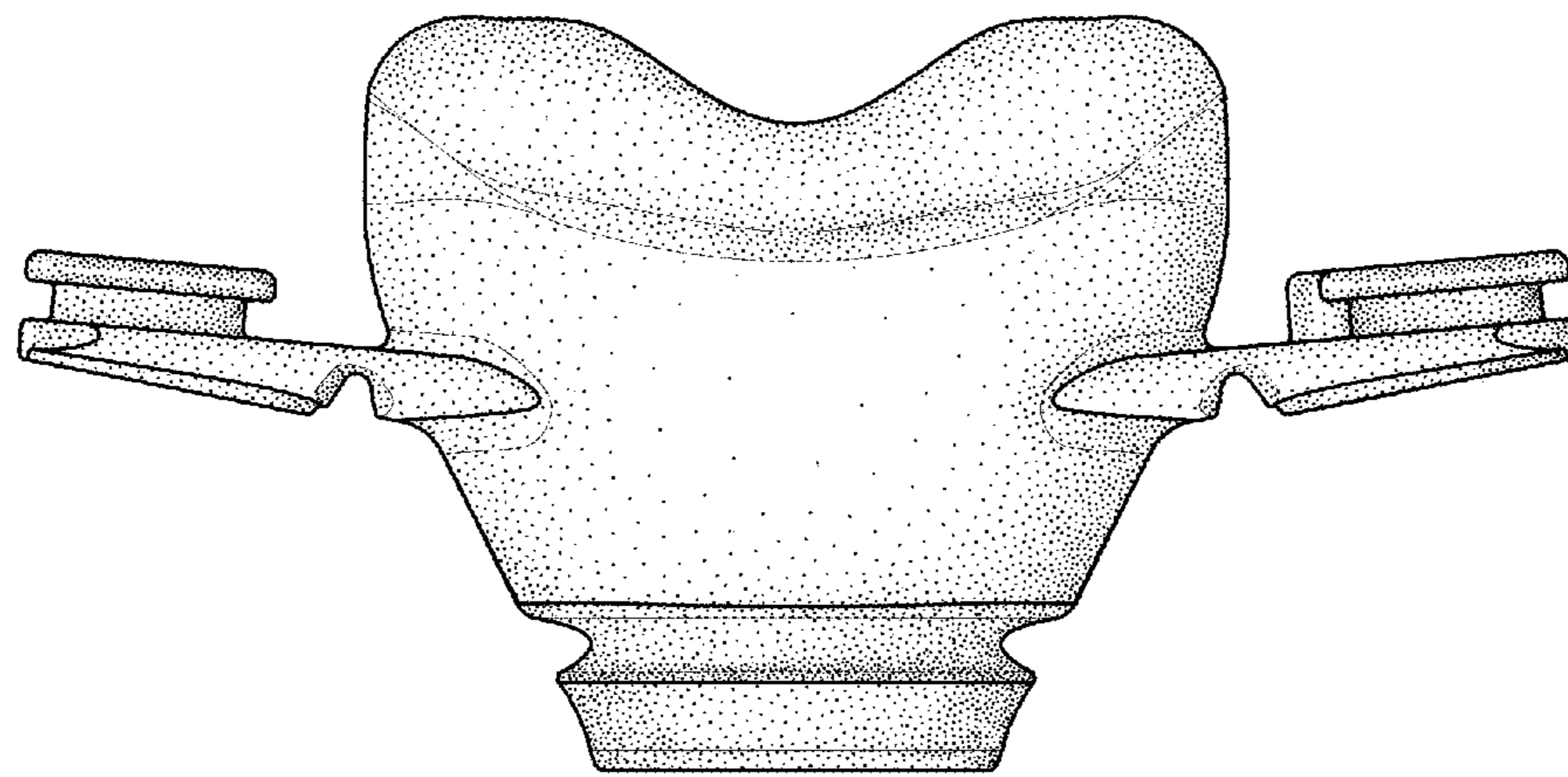


Fig. 4

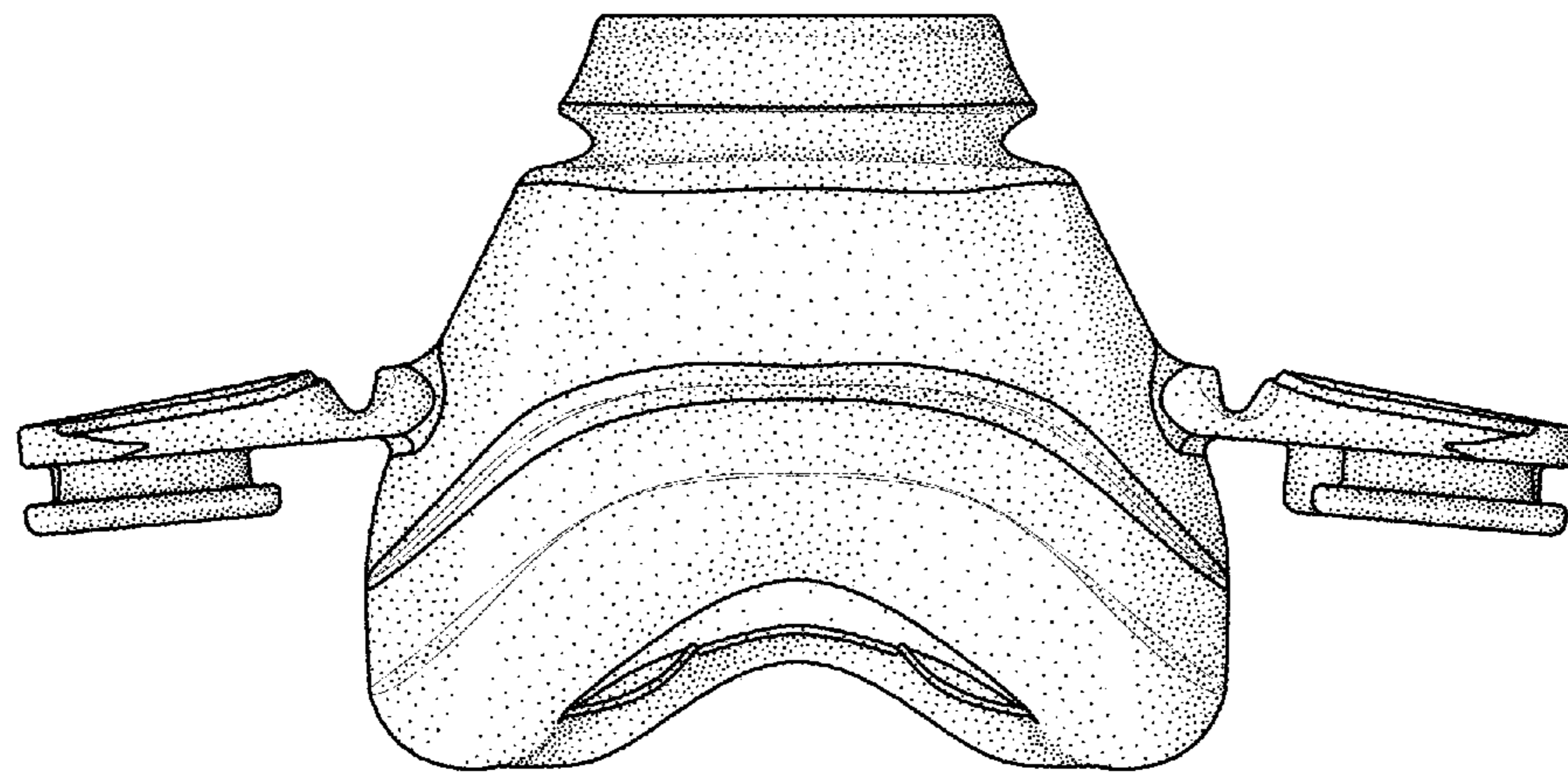


Fig. 5

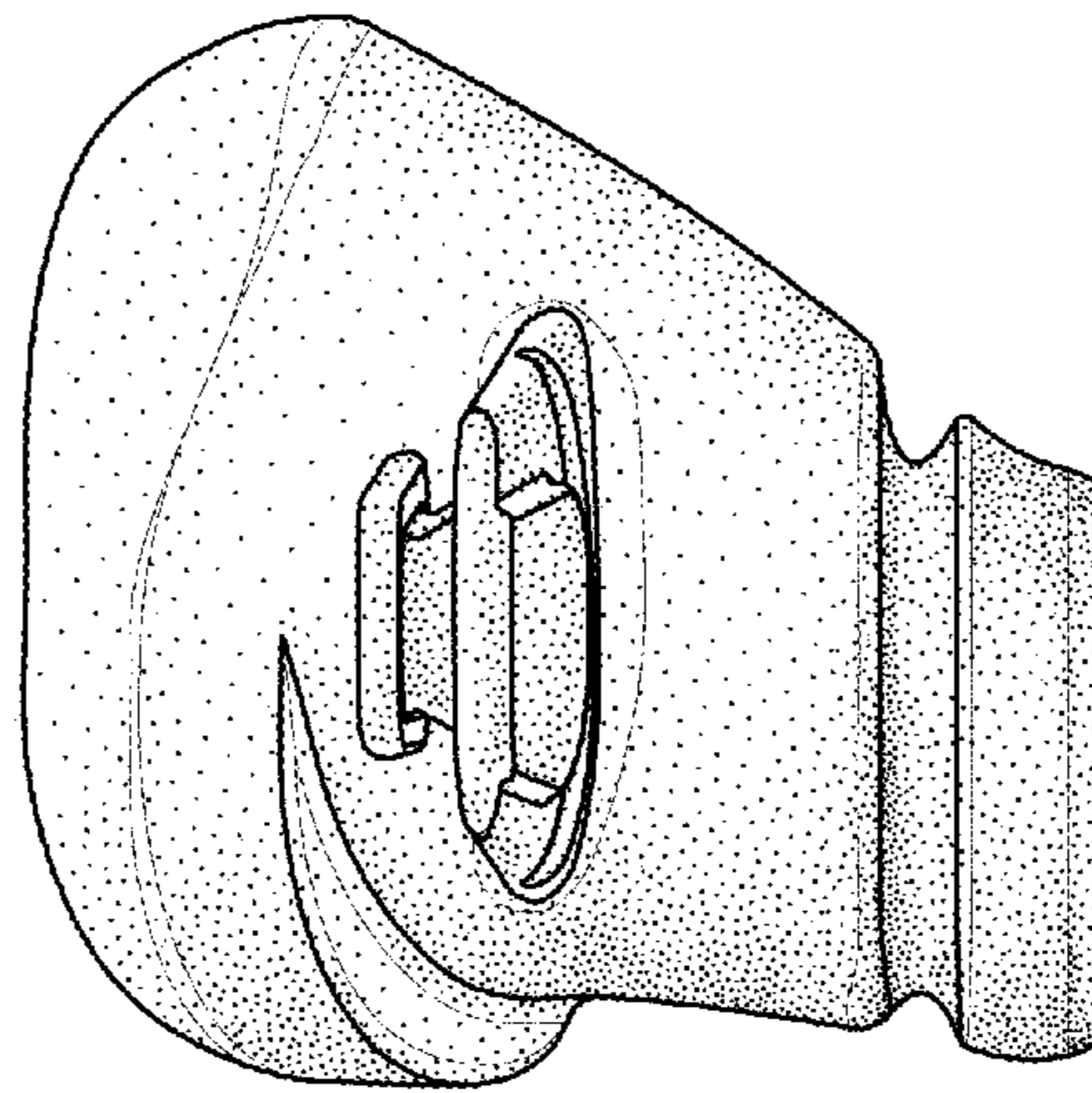


Fig. 6

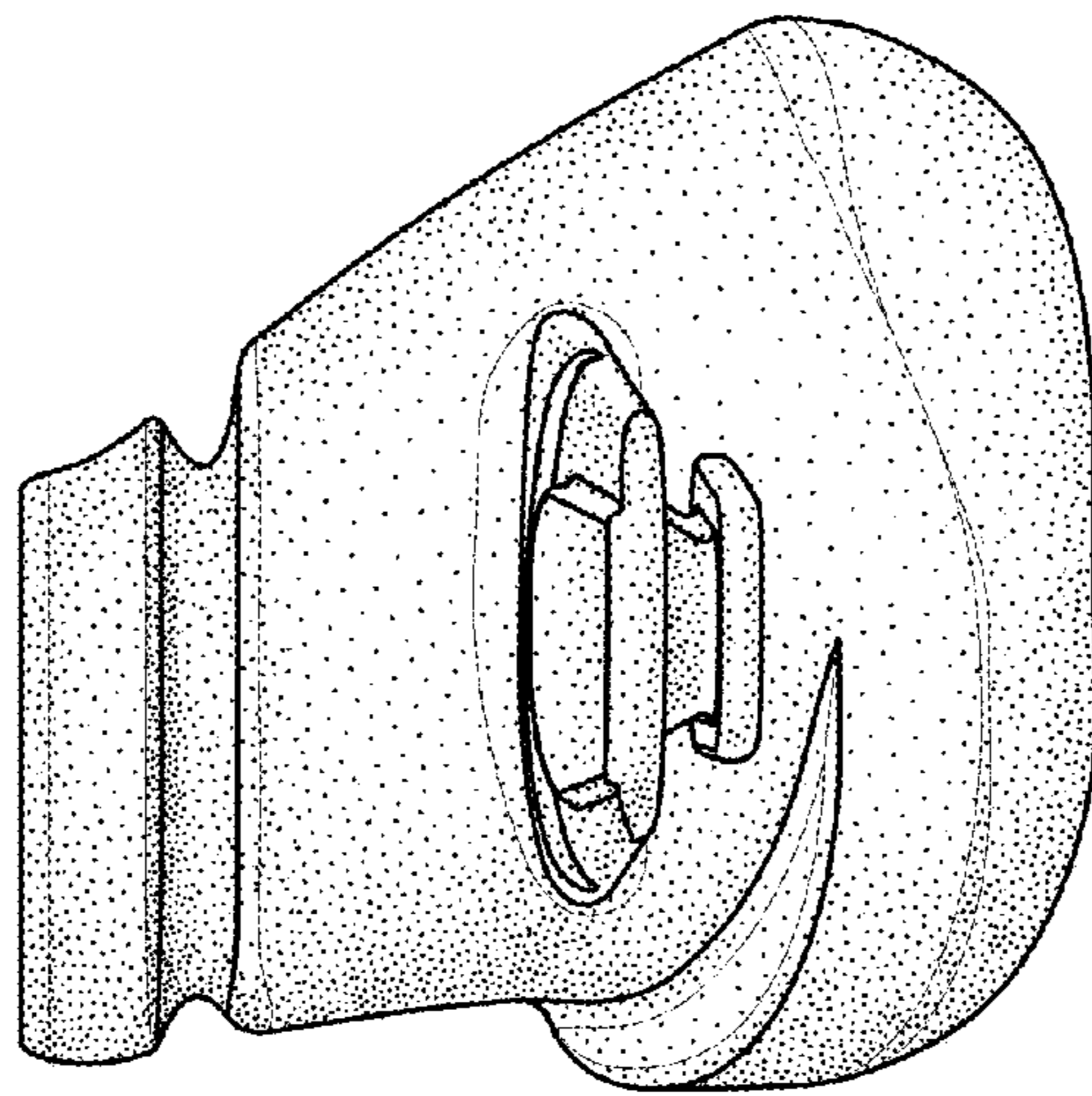


Fig. 7

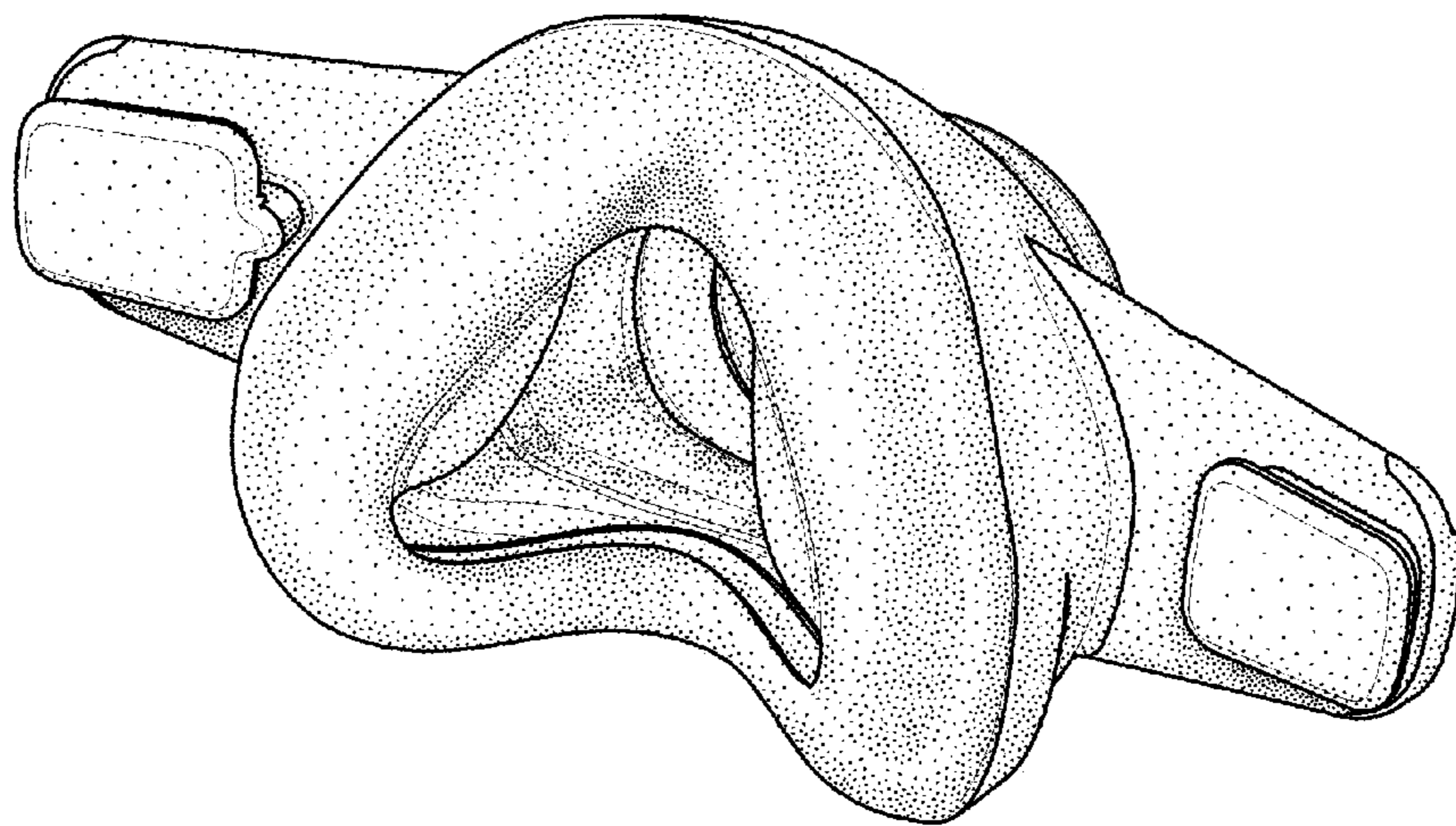


Fig. 8

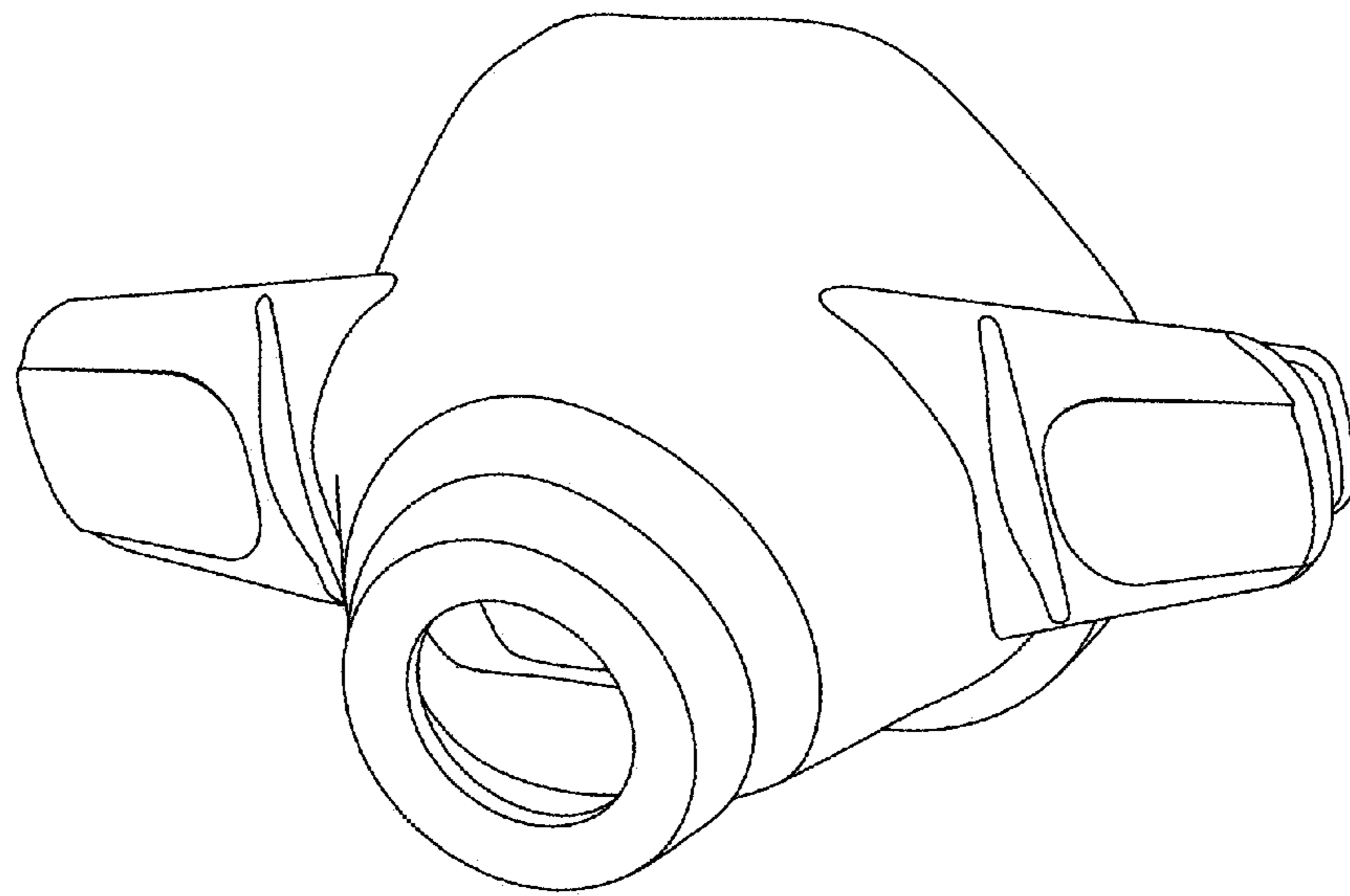


Fig. 9

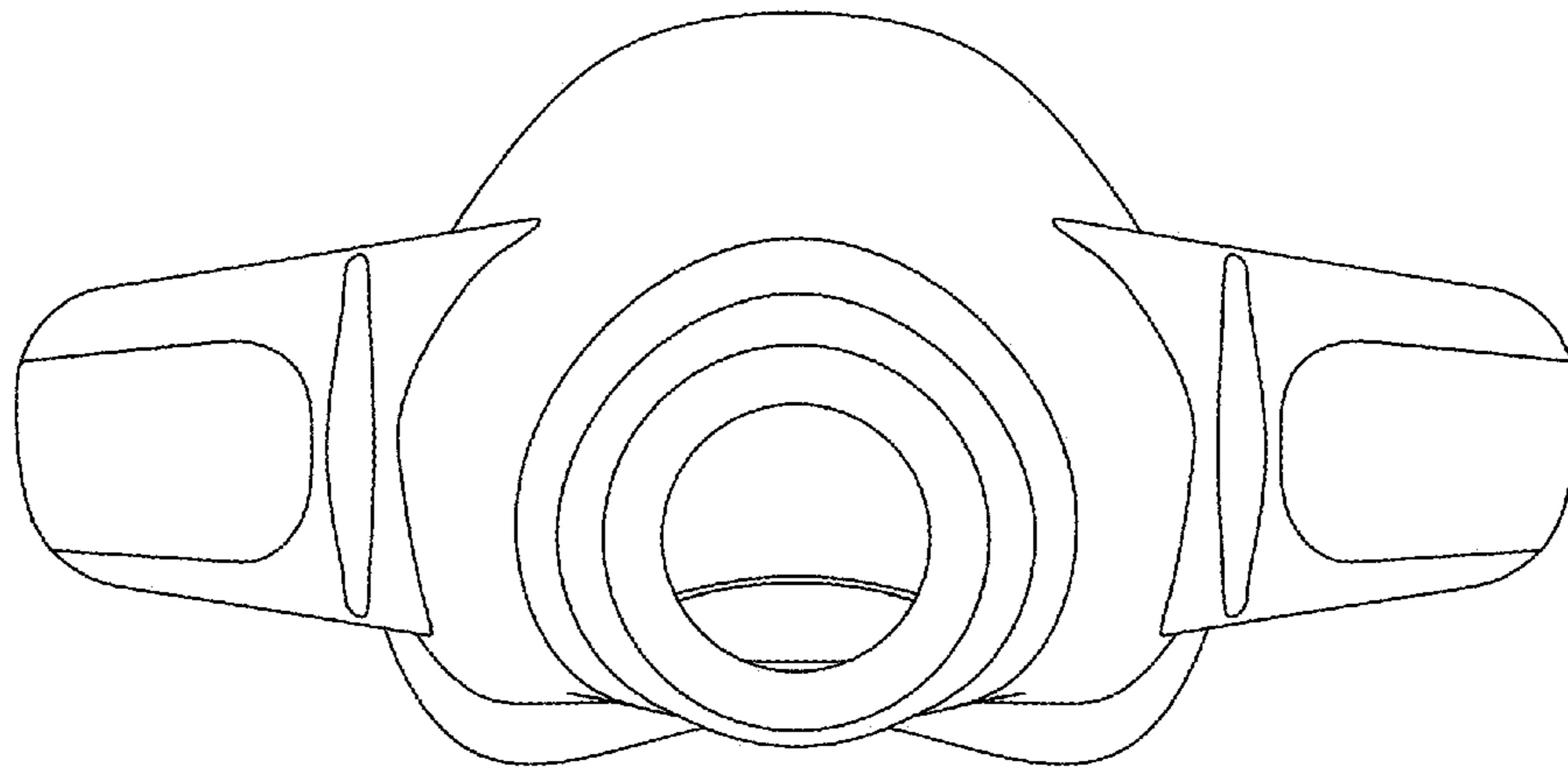


Fig. 10

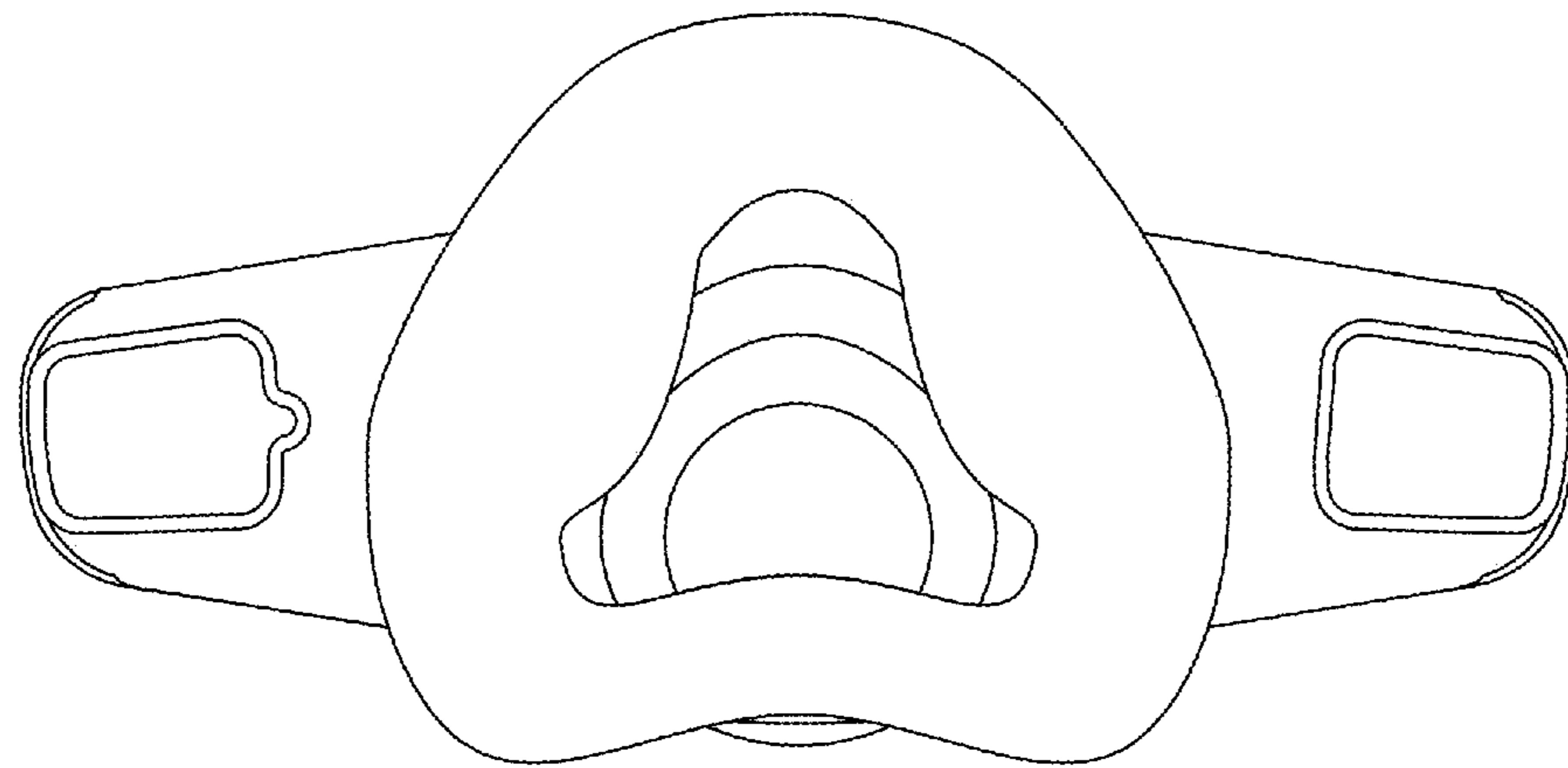


Fig. 11

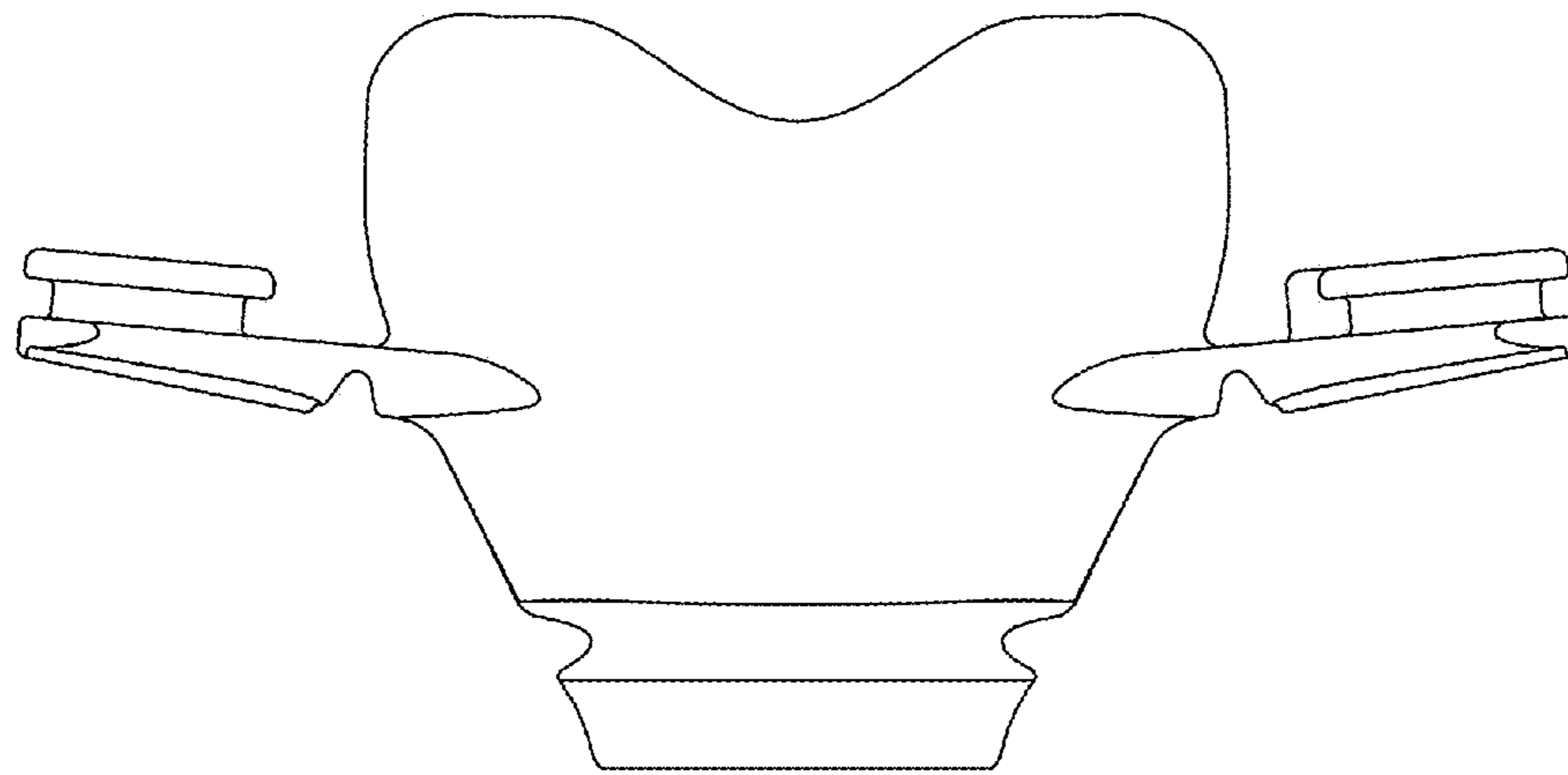


Fig. 12

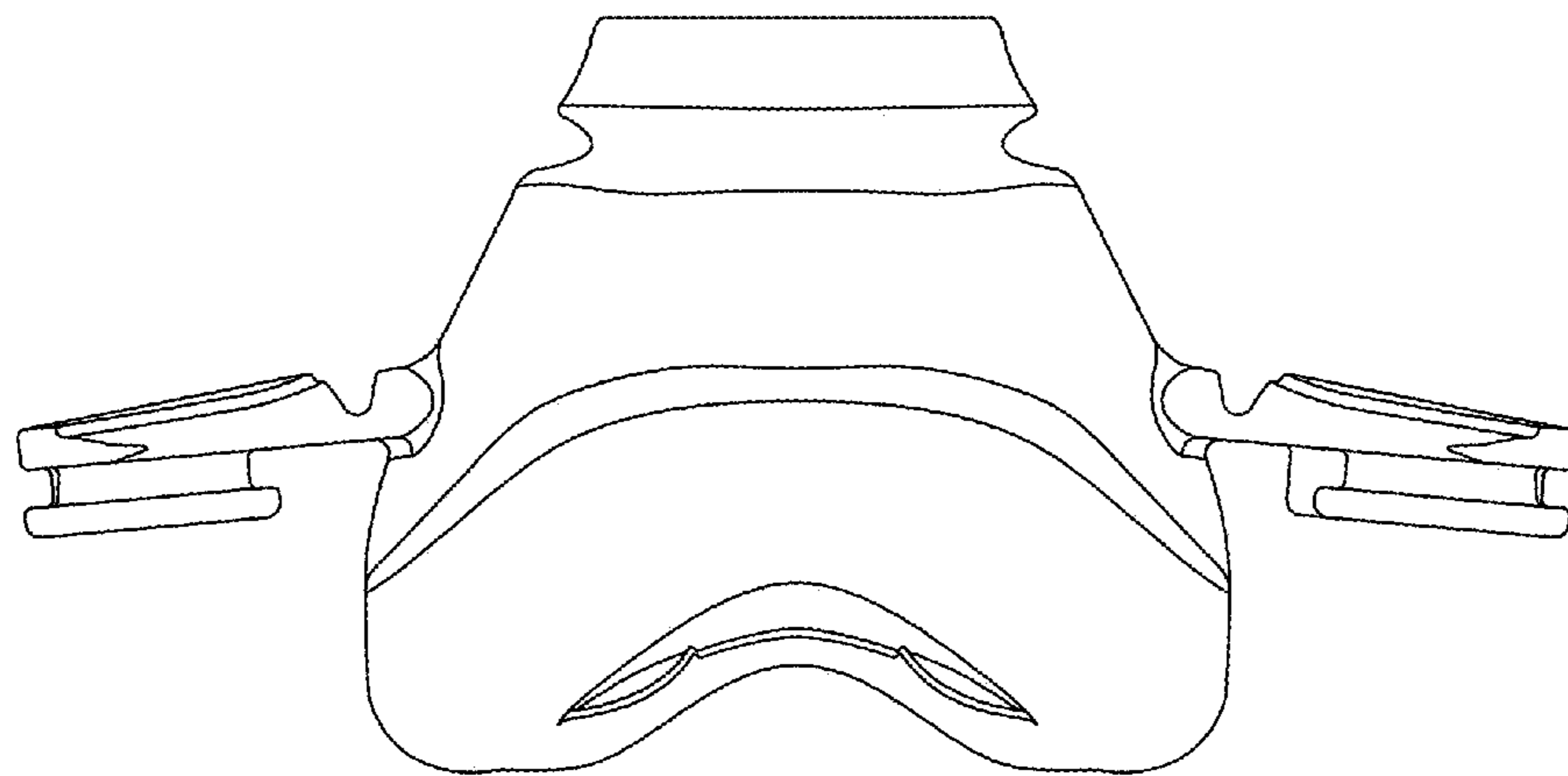


Fig. 13

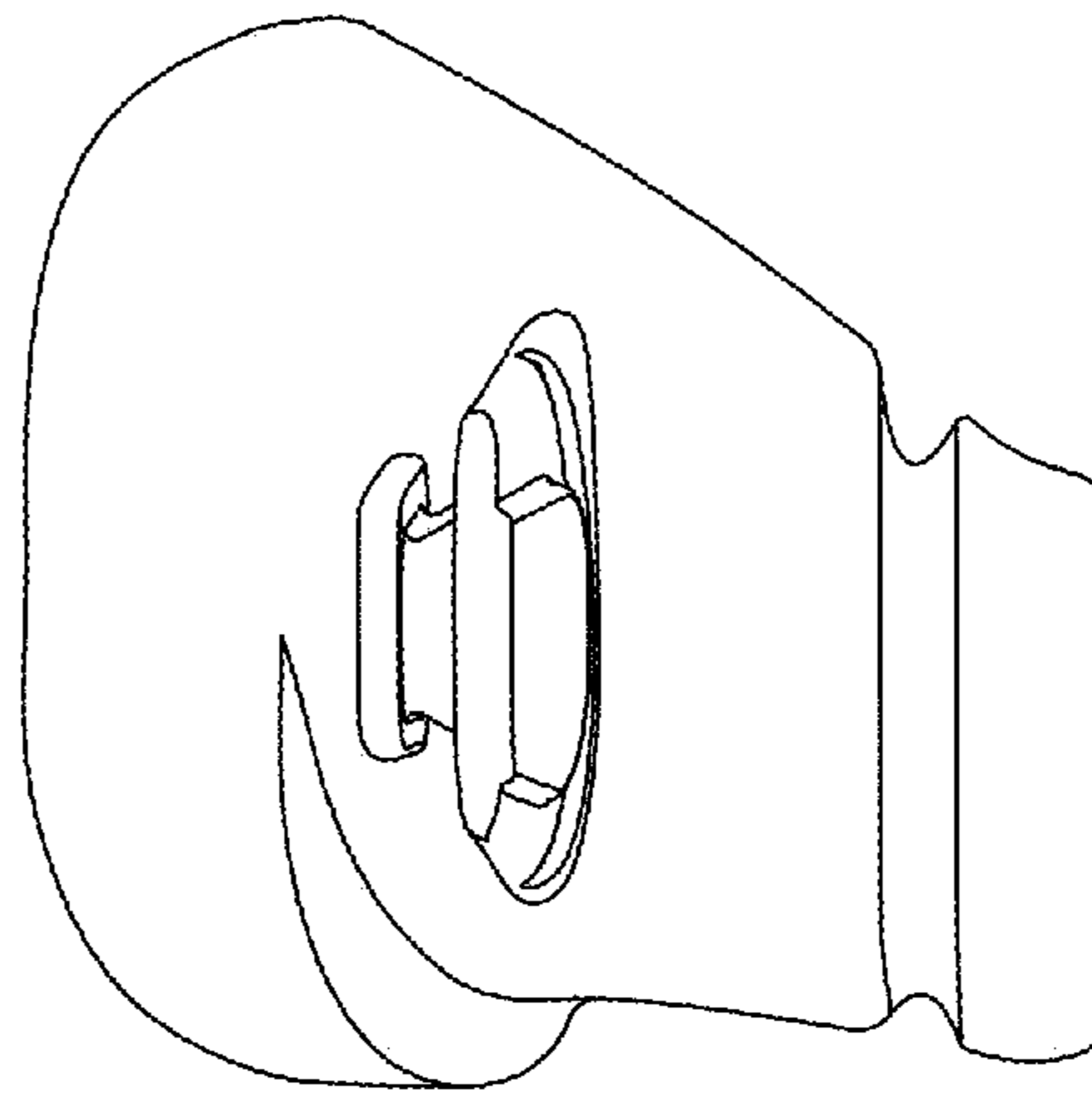


Fig. 14

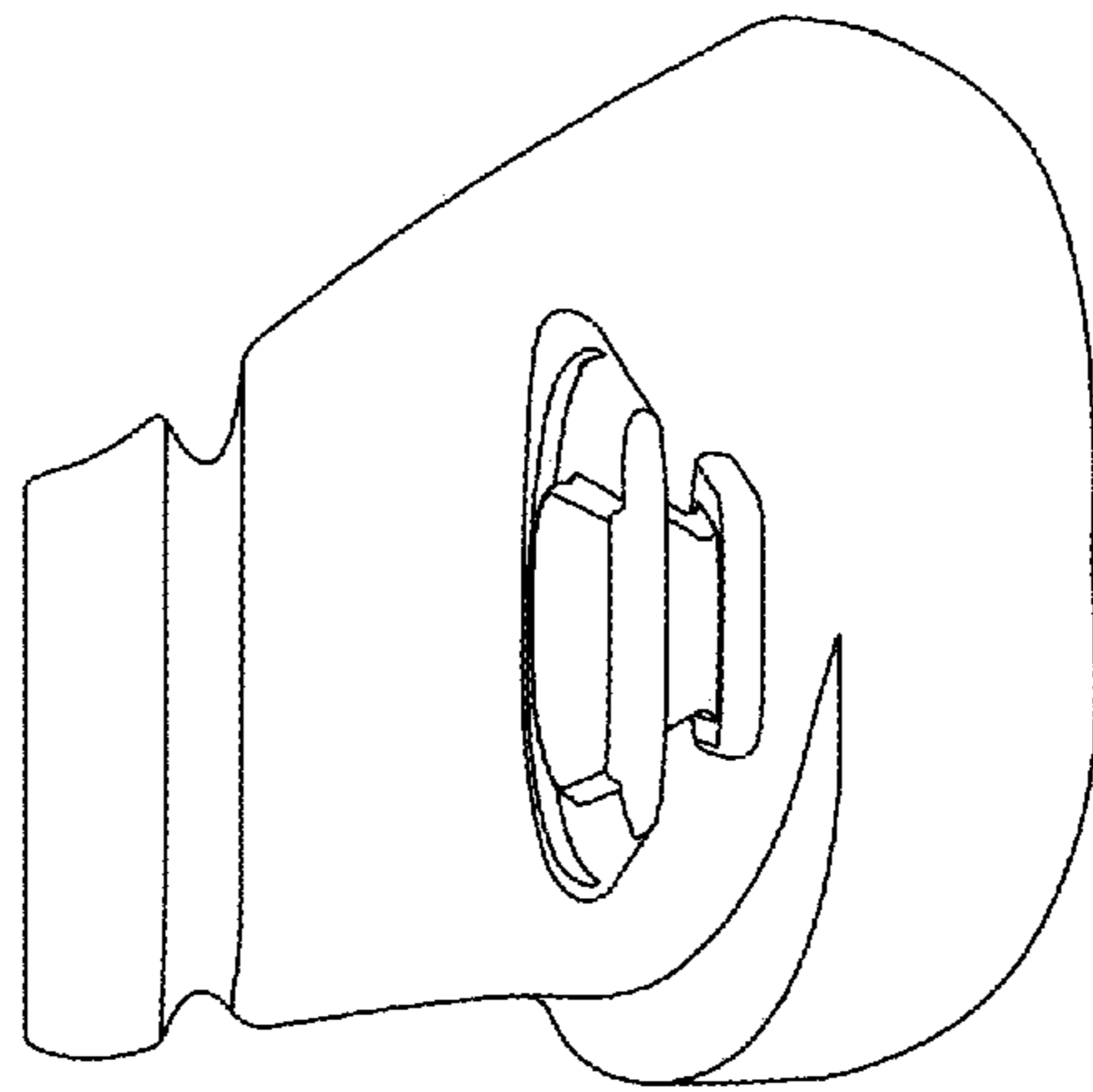


Fig. 15

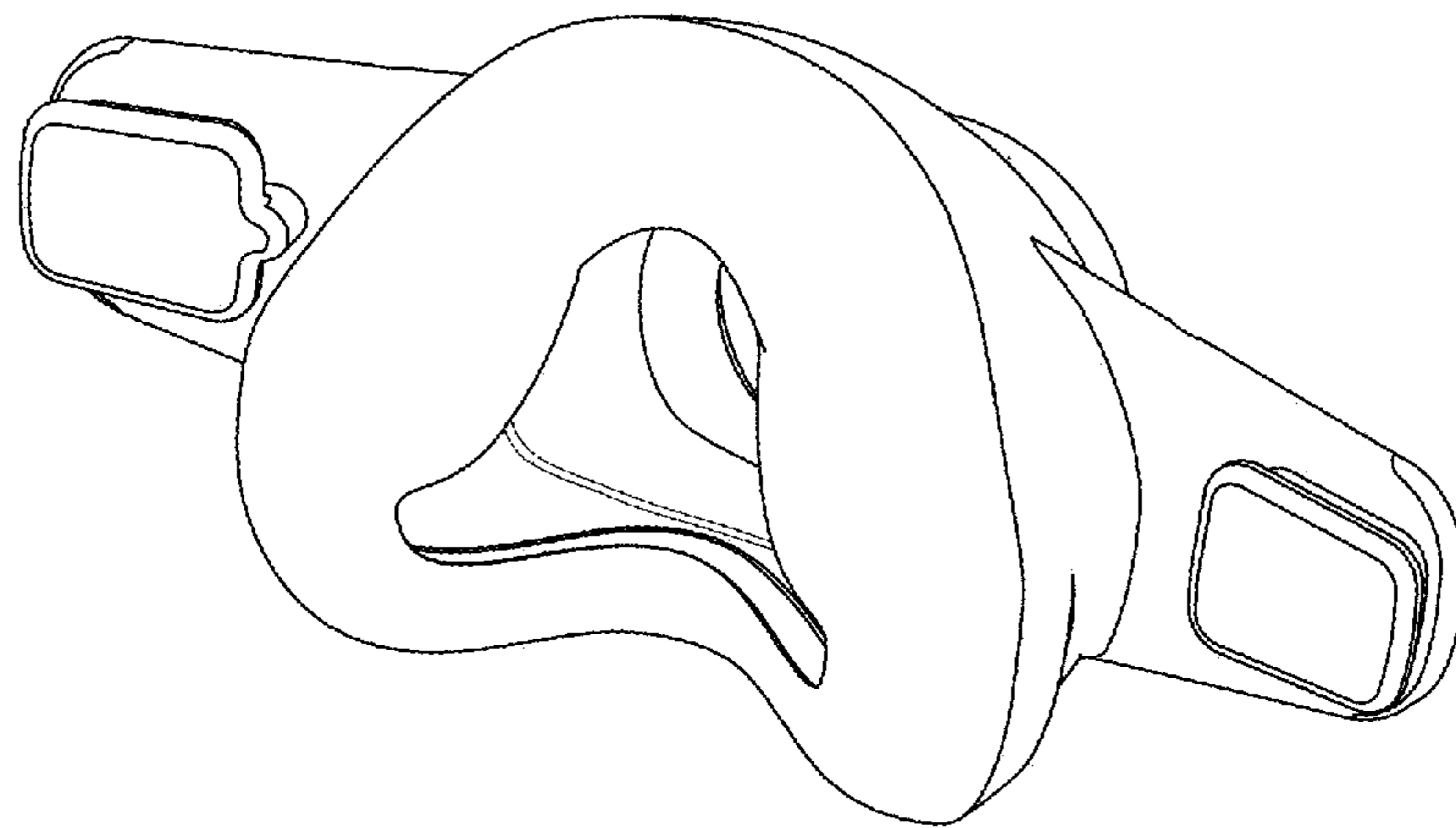


Fig. 16