



US00D758561S

(12) **United States Design Patent**
Dolan

(10) **Patent No.:** **US D758,561 S**
(45) **Date of Patent:** **** Jun. 7, 2016**

(54) **CEILING FAN WITH LIGHT**

(71) Applicant: **Patrick S. Dolan**, Portland, OR (US)

(72) Inventor: **Patrick S. Dolan**, Portland, OR (US)

(**) Term: **14 Years**

(21) Appl. No.: **29/474,336**

(22) Filed: **Aug. 11, 2014**

(51) **LOC (10) Cl.** **23-04**

(52) **U.S. Cl.**
USPC **D23/411**; D26/59

(58) **Field of Classification Search**
USPC D23/377, 370–376, 378–394, 411–414,
D23/499; 416/5, 62, 170 R, 214 R, 184, 206,
416/207, 210 R, 220 R, 241 R, 244 R, 248,
416/223 R, 232, 234, 242; 417/423.1;
392/361, 364; D26/51, 59, 72, 83, 92,
D26/113, 118, 138, 142, 149
CPC F04D 25/088; F04D 29/00; F04D 29/005;
F04D 29/34; F04D 29/40; F21V 33/00;
F21V 33/0088; F21V 33/0096
See application file for complete search history.

(56) **References Cited**

U.S. PATENT DOCUMENTS

D94,686 S *	2/1935	Guild et al.	D26/88
D328,638 S *	8/1992	Hsieh	D23/377
D347,889 S *	6/1994	Mason	D23/377
D348,729 S *	7/1994	Mason	D23/377
D382,636 S *	8/1997	Yang	D23/377
D384,737 S *	10/1997	Gee, II	D23/377
D396,530 S *	7/1998	Tai	D23/377
D408,518 S *	4/1999	Liu	D23/377
D428,983 S *	8/2000	Lee	D23/377
D453,825 S *	2/2002	Young	D23/377
D476,728 S	7/2003	Gajewski		
D480,795 S *	10/2003	Tsuji	D23/411
D532,902 S *	11/2006	Pan	D23/411
D544,954 S *	6/2007	Pickett	D23/411
D553,731 S *	10/2007	Bucher	D23/411
D562,967 S *	2/2008	Pickett	D23/411

D571,452 S *	6/2008	Ertze	D23/411
D596,734 S *	7/2009	Kihara	D23/377
D599,461 S *	9/2009	Ertze	D23/377
D604,405 S *	11/2009	Searle	D23/377
D614,759 S *	4/2010	Shurtleff	D23/411
D700,983 S *	3/2014	Ertze	D26/59
2009/0129974 A1 *	5/2009	McEllen	A61L 9/205 422/24
2011/0052411 A1 *	3/2011	Yamamoto	F04D 25/08 416/244 R
2013/0045103 A1 *	2/2013	Iwamoto	F04D 25/088 416/170 R
2015/0192136 A1 *	7/2015	Yao	F04D 29/34 416/204 R
2015/0198180 A1 *	7/2015	Gajewski	F04D 29/703 416/247 R

OTHER PUBLICATIONS

www.lumens.com Minka Model "Concept".
www.eurostylelighting.com "Casa Vieja Eum2564".
Www.eurostylelighting.com "Casa Vieja Euy2176".
www.minka.com "F516—ORB".
www.minka.com "F519—ORB".
www.minka.com "F738—PN".

* cited by examiner

Primary Examiner — Susan Bennett Hattan
Assistant Examiner — Marie Fast Horse

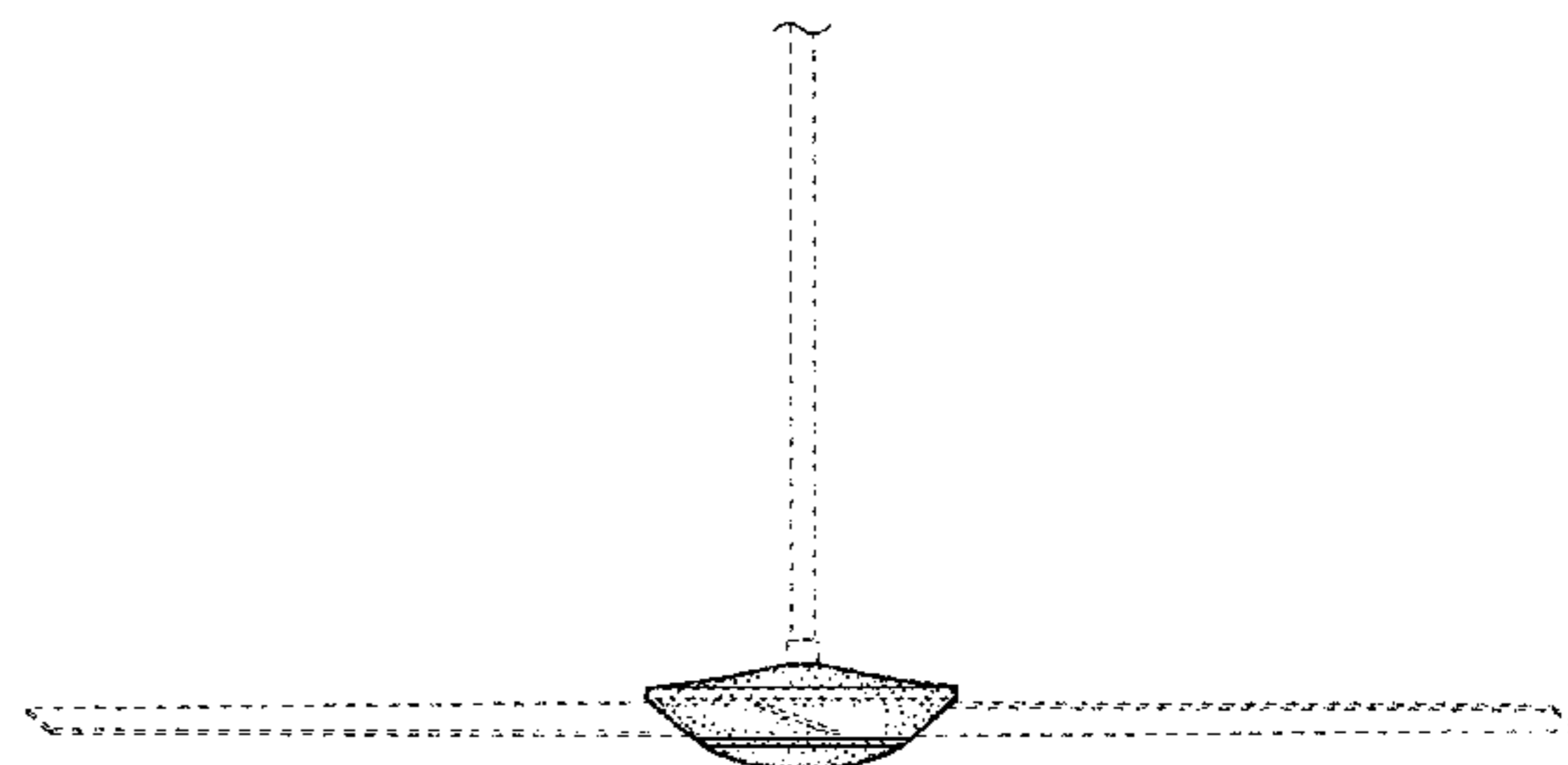
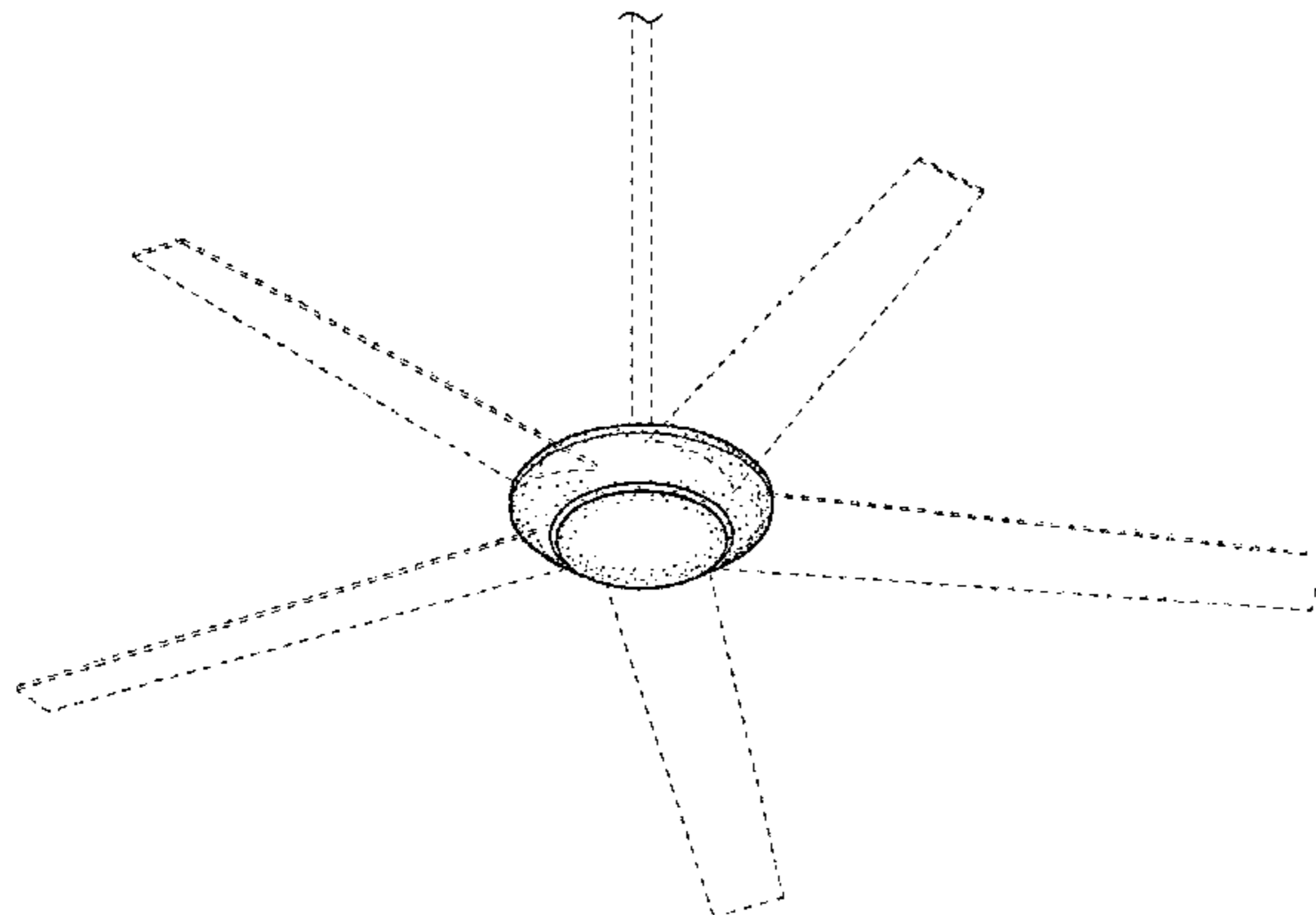
(57) **CLAIM**

The ornamental design for a ceiling fan with light, as shown and described.

DESCRIPTION

FIG. 1 is a perspective view thereof;
FIG. 2 is a front elevational view thereof, the rear side view being a mirror image;
FIG. 3 is a right side view, the left side view thereof being a mirror image;
FIG. 4 is a top plan view thereof; and,
FIG. 5 is a bottom plan view thereof.
The broken lines in the drawing depict parts of the ceiling fan with light that form no part of the claimed design.

1 Claim, 5 Drawing Sheets



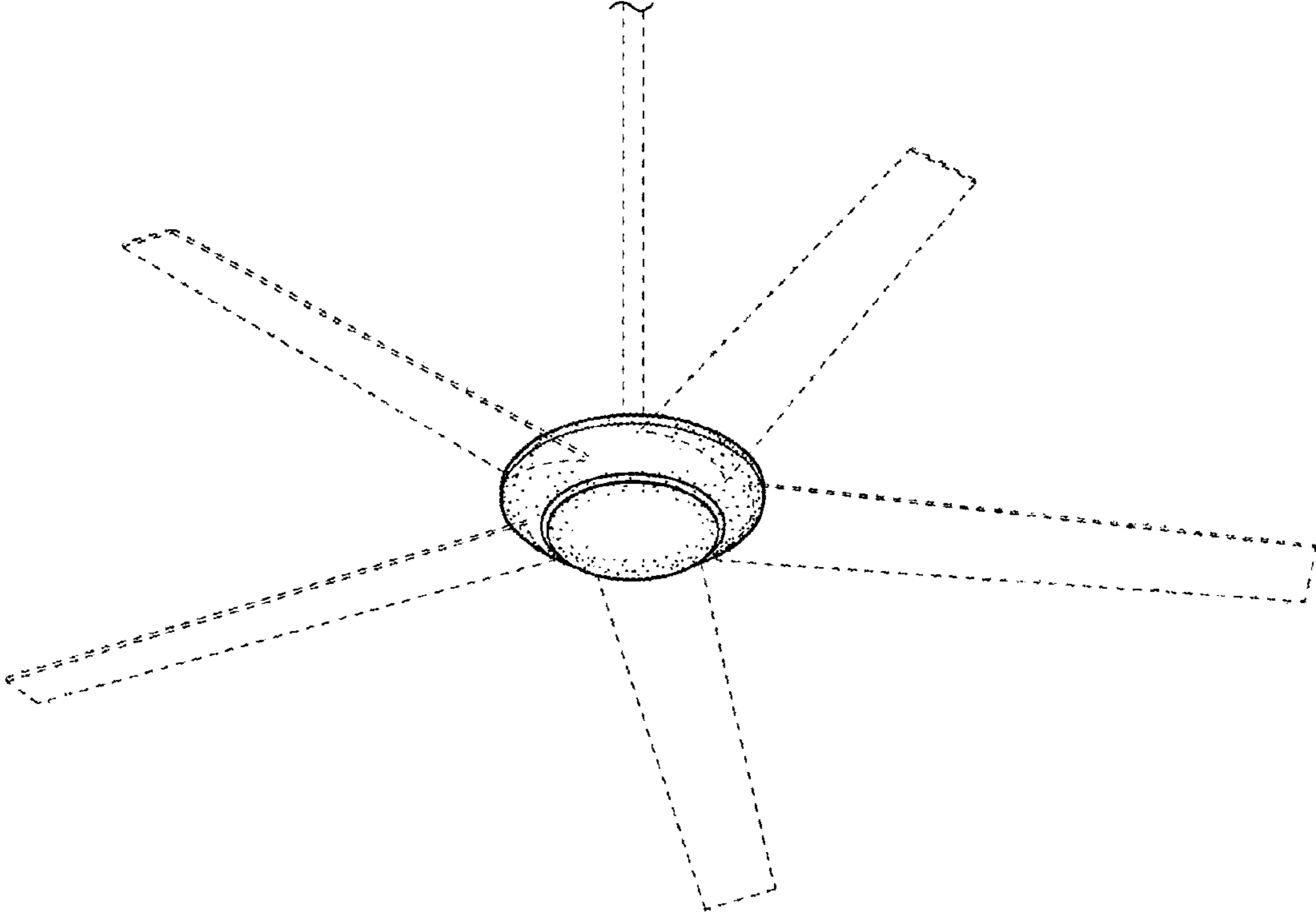


FIG. 1

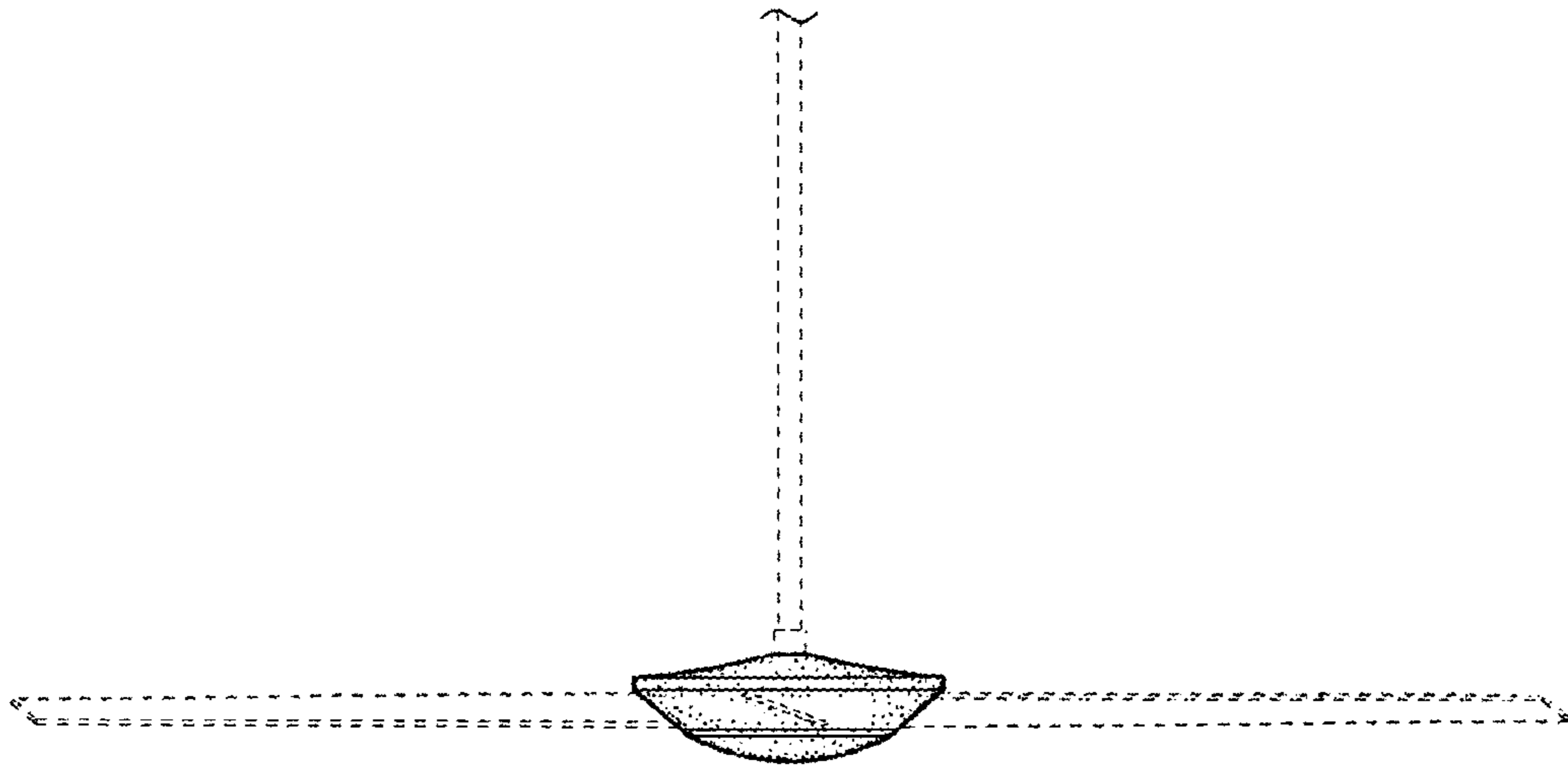


FIG. 2

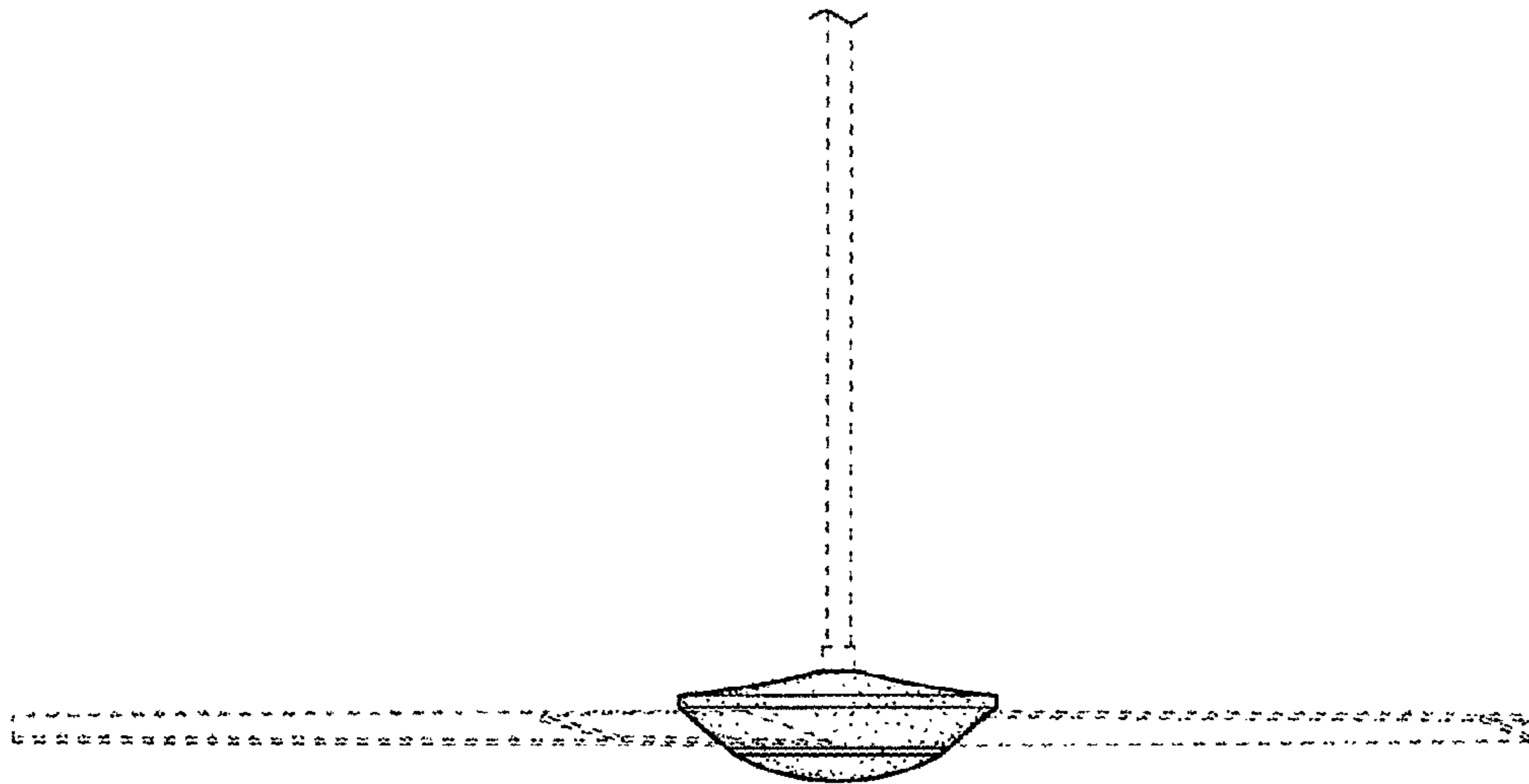


FIG. 3

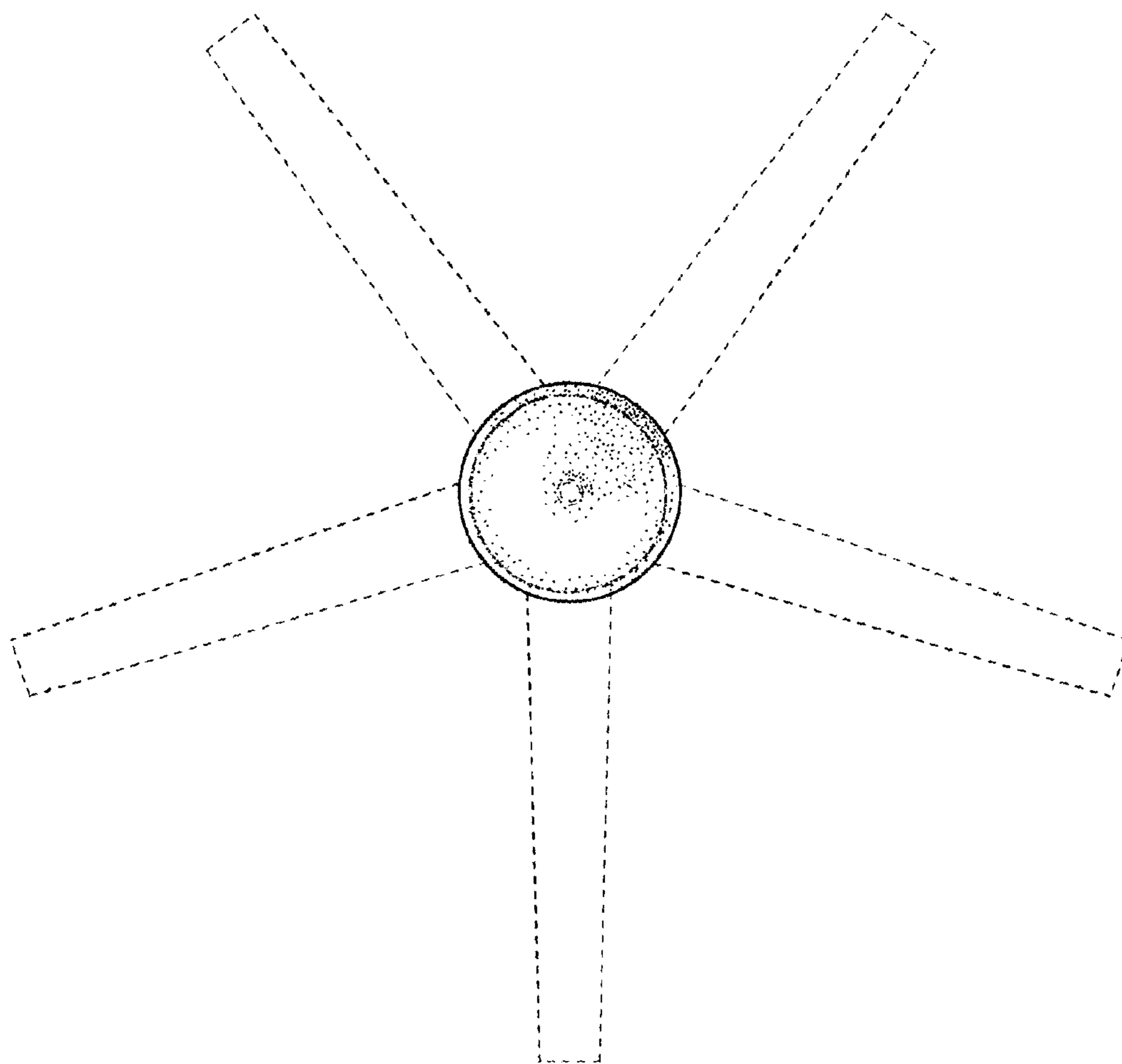


FIG. 4

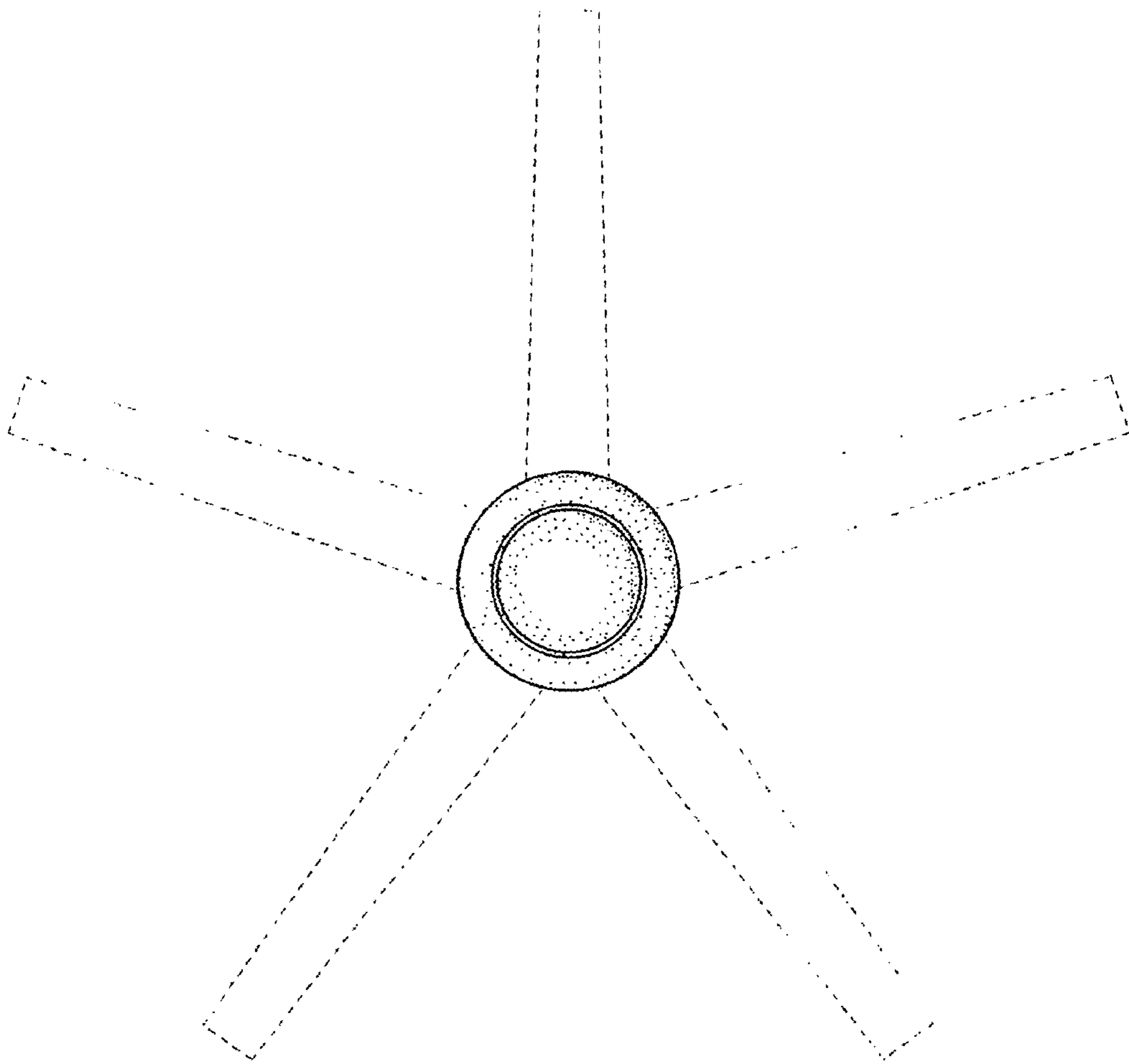


FIG. 5